



US00D744542S

(12) **United States Design Patent**
Edler et al.

(10) **Patent No.:** **US D744,542 S**
(45) **Date of Patent:** **** Dec. 1, 2015**

(54) **HYDRAULIC CONTROL UNIT HAVING UNITARY SUMP AND ACCUMULATOR HOUSING**

(71) Applicant: **Eaton Corporation**, Cleveland, OH (US)

(72) Inventors: **Andrew N. Edler**, Homer, MI (US);
Daniel P. Fisher, Coldwater, MI (US);
John A. Grogg, Laotto, IN (US)

(73) Assignee: **Eaton Corporation**, Cleveland, OH (US)

(**) Term: **14 Years**

(21) Appl. No.: **29/513,318**

(22) Filed: **Dec. 30, 2014**

Related U.S. Application Data

(63) Continuation of application No. 29/464,981, filed on Aug. 22, 2013, now Pat. No. Des. 723,063.

(51) **LOC (10) Cl.** **15-02**

(52) **U.S. Cl.**
USPC **D15/7**

(58) **Field of Classification Search**
USPC D15/7-9; D23/231, 232; 417/410.1,
417/359, 415-416, 234, 321, 265, 405, 15;
60/578

CPC F15B 7/04; F04B 49/00
See application file for complete search history.

(56) **References Cited**

U.S. PATENT DOCUMENTS

D178,799 S *	9/1956	Lung	D15/7
D215,883 S *	11/1969	Svenson	D15/7
D259,261 S *	5/1981	MacLaren	D15/7
D372,251 S *	7/1996	Bohncke	D15/7
D384,674 S *	10/1997	Grolle et al.	D15/7
D466,523 S *	12/2002	Saito	D15/9
D485,565 S *	1/2004	Martinello	D15/7
6,685,437 B2 *	2/2004	Koenig et al.	417/15

D487,473 S *	3/2004	Saito et al.	D15/9
7,895,837 B2 *	3/2011	Bass	60/578
D649,561 S *	11/2011	Bauck et al.	D15/7
D650,813 S *	12/2011	Varini	D15/7
D652,844 S *	1/2012	Hanitsch et al.	D15/7
D656,518 S *	3/2012	Varini	D15/7
D657,799 S *	4/2012	Jung	D15/7
D657,800 S *	4/2012	Villagomez et al.	D15/7
D659,716 S *	5/2012	Soderstrom	D15/7
D660,320 S *	5/2012	Varini	D15/7
8,226,382 B2 *	7/2012	Vogt	417/410.4
D672,787 S *	12/2012	Soderstrom	D15/7
8,485,802 B2 *	7/2013	Bachmann et al.	418/16
D695,318 S *	12/2013	Link et al.	D15/9
D701,246 S *	3/2014	Cook	D15/7
D713,860 S *	9/2014	Pedrollo	D15/7
D719,191 S *	12/2014	Kunzendorf et al.	D15/7
D719,192 S *	12/2014	Schlenker	D15/7
D721,102 S *	1/2015	Kunzendorf et al.	D15/7
D723,063 S *	2/2015	Edler et al.	D15/7

* cited by examiner

Primary Examiner — Ralf Seifert

(74) *Attorney, Agent, or Firm* — Remarck Law Group PLC

(57) **CLAIM**

The ornamental design for a hydraulic control unit having unitary sump and accumulator housing, as shown and described.

DESCRIPTION

FIG. 1 is a perspective view of a hydraulic control unit having unitary sump and accumulator housing showing our new design;

FIG. 2 is a front view;

FIG. 3 is a rear view;

FIG. 4 is a first side view;

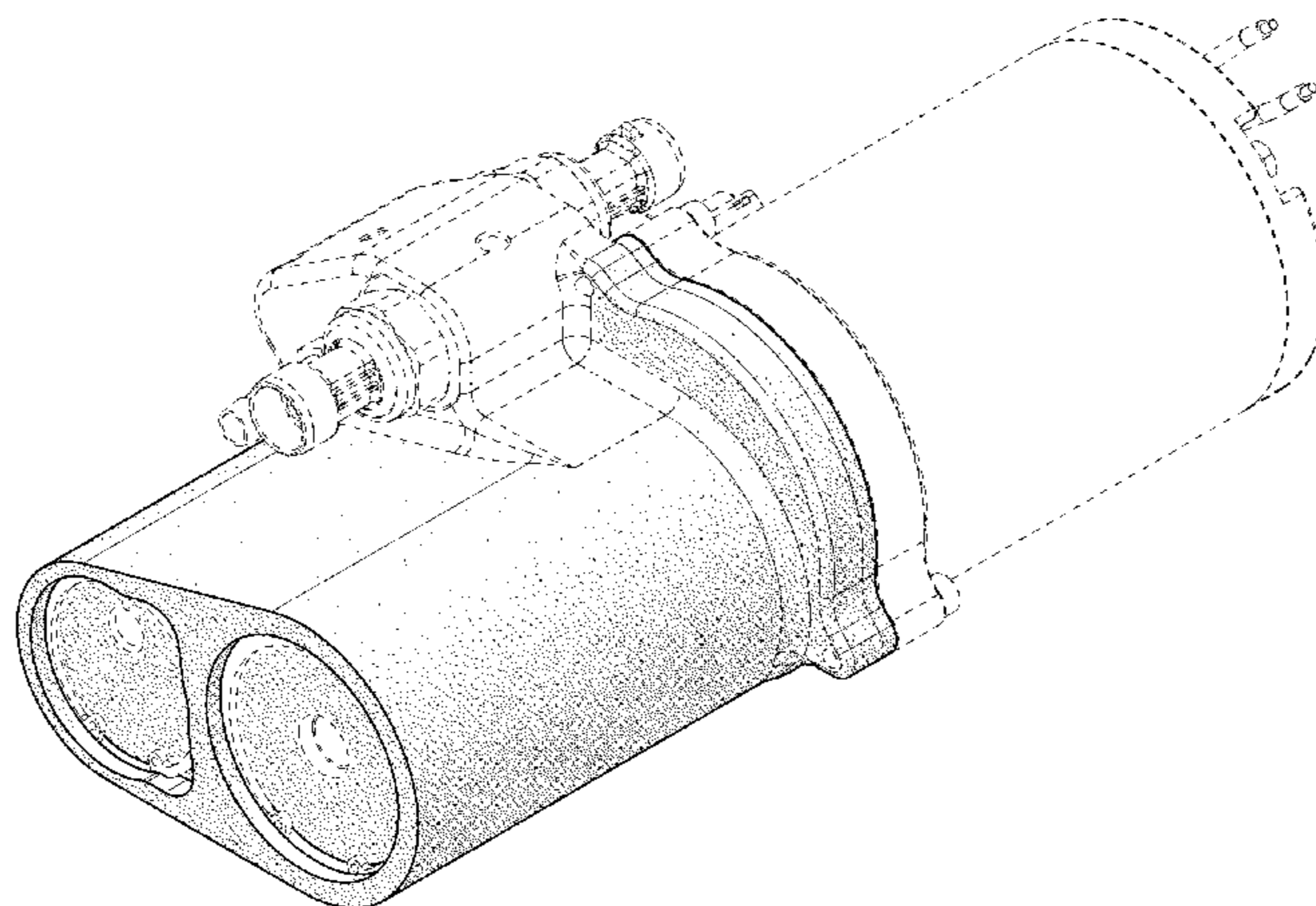
FIG. 5 is a second side view;

FIG. 6 is a top view; and,

FIG. 7 is a bottom view.

Any portion of the hydraulic control unit having unitary sump and accumulator housing shown in broken lines is for the purpose of illustrating environmental structure and forms no part of the claimed design.

1 Claim, 6 Drawing Sheets



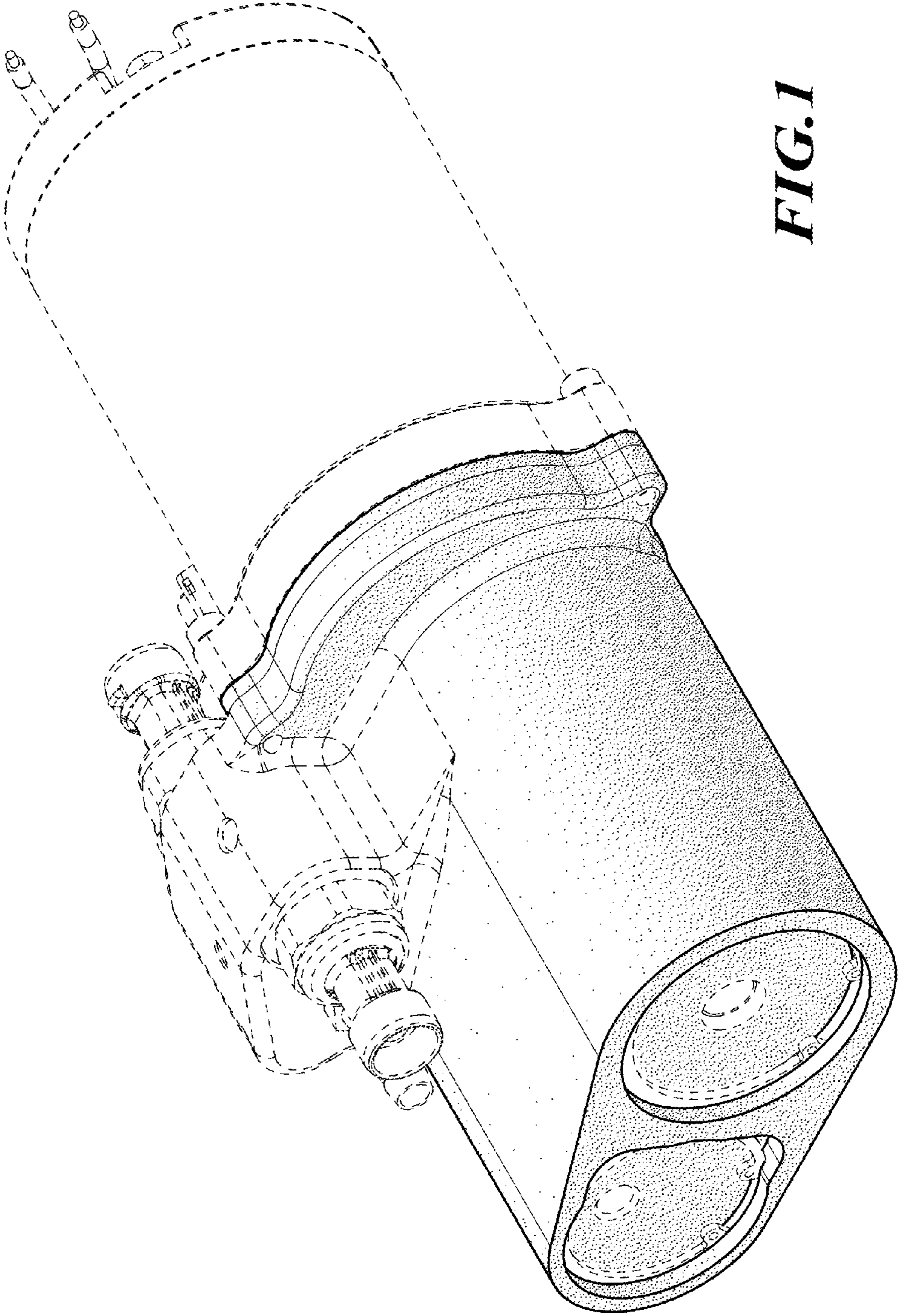


FIG. 1

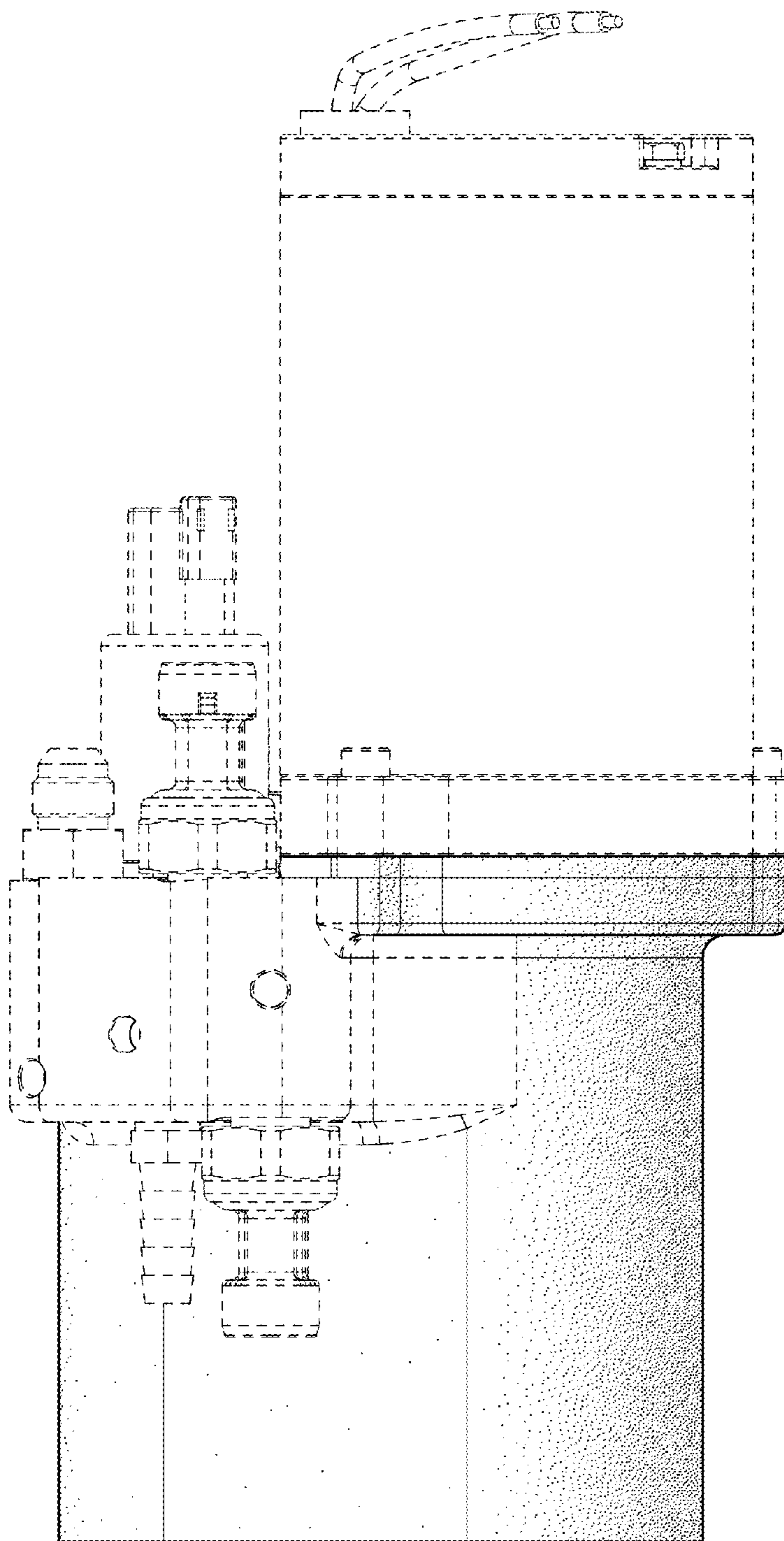


FIG. 2

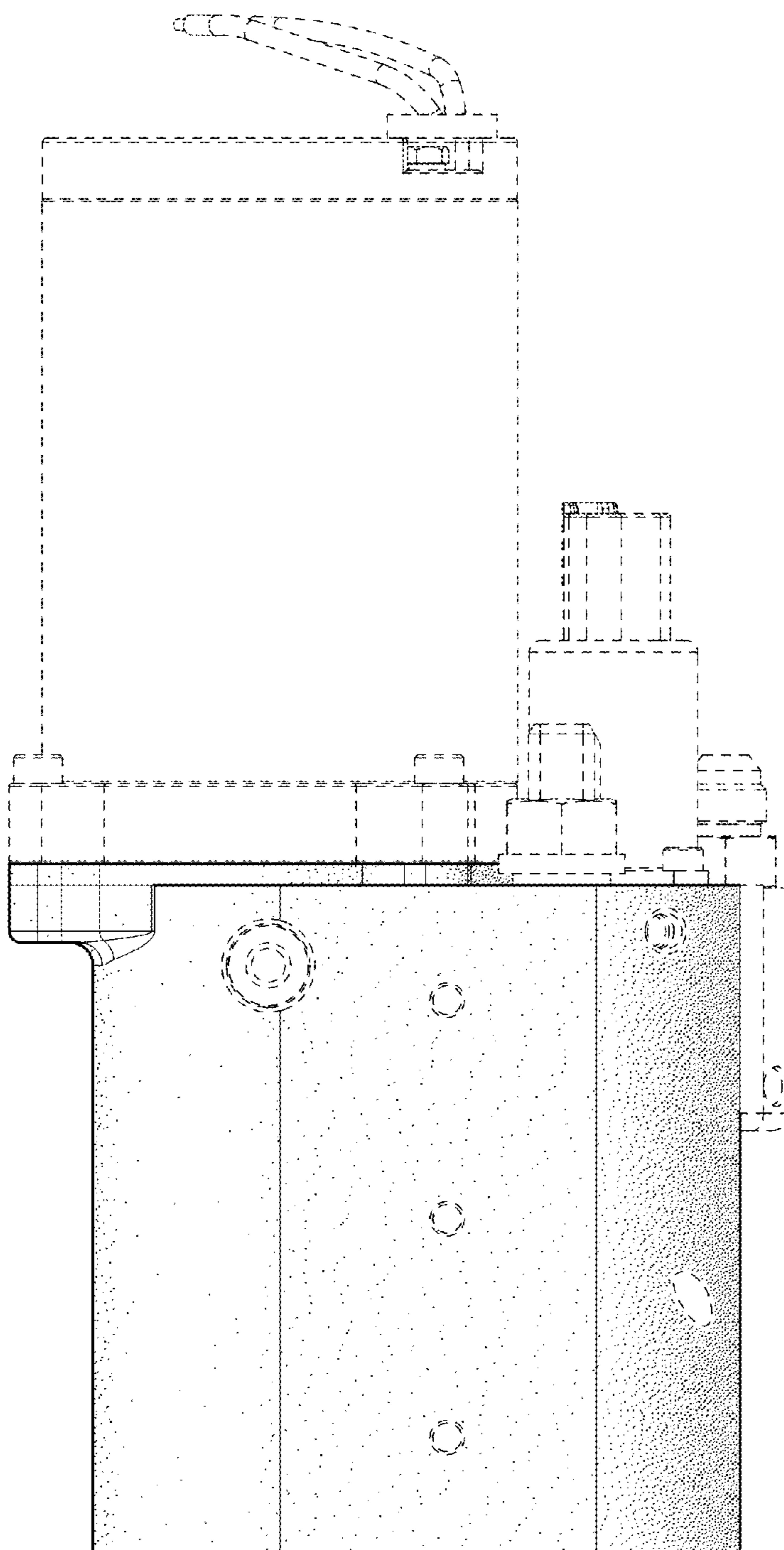


FIG.3

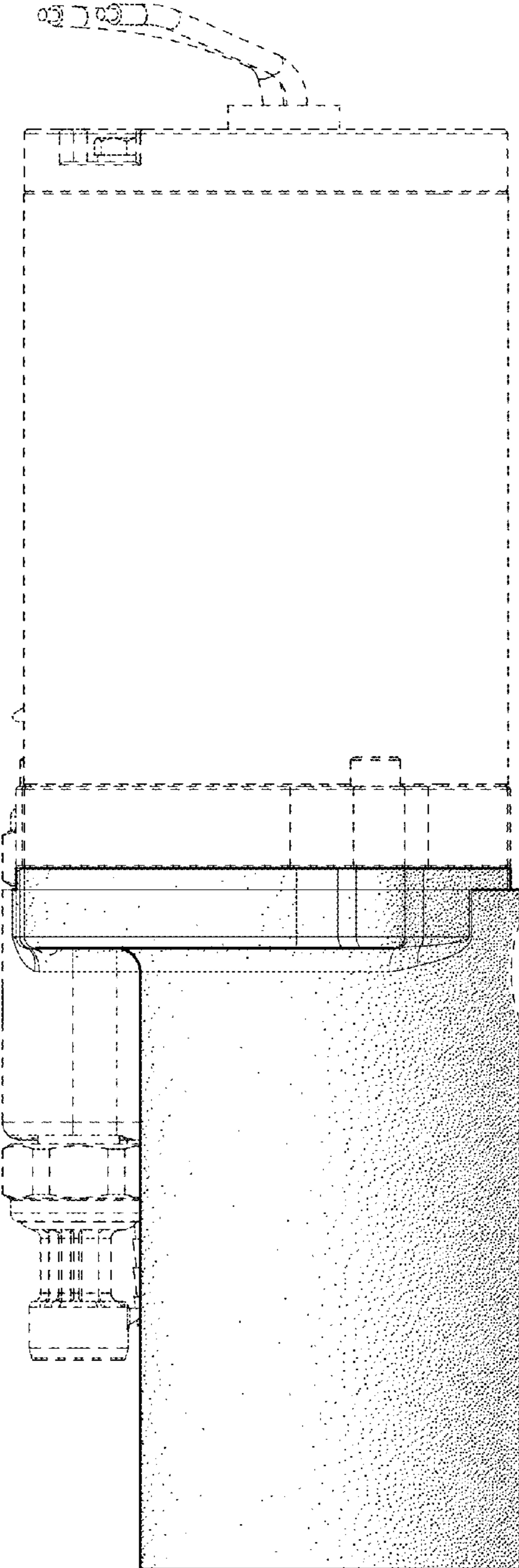


FIG.4

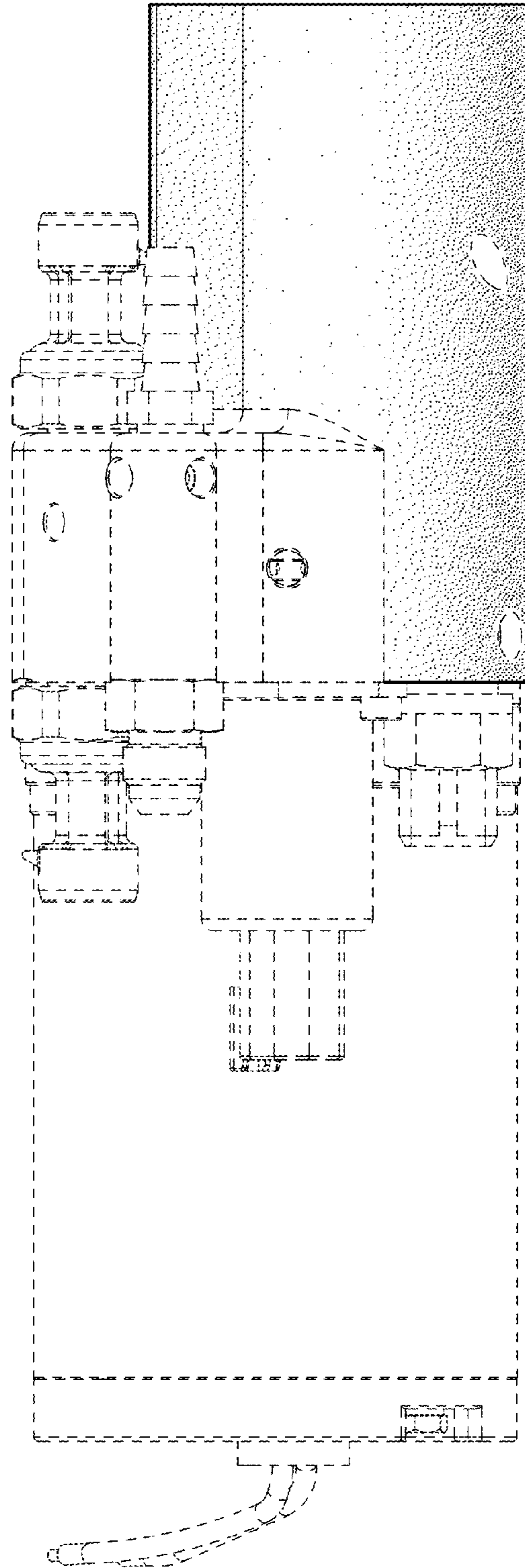


FIG. 5

FIG. 6

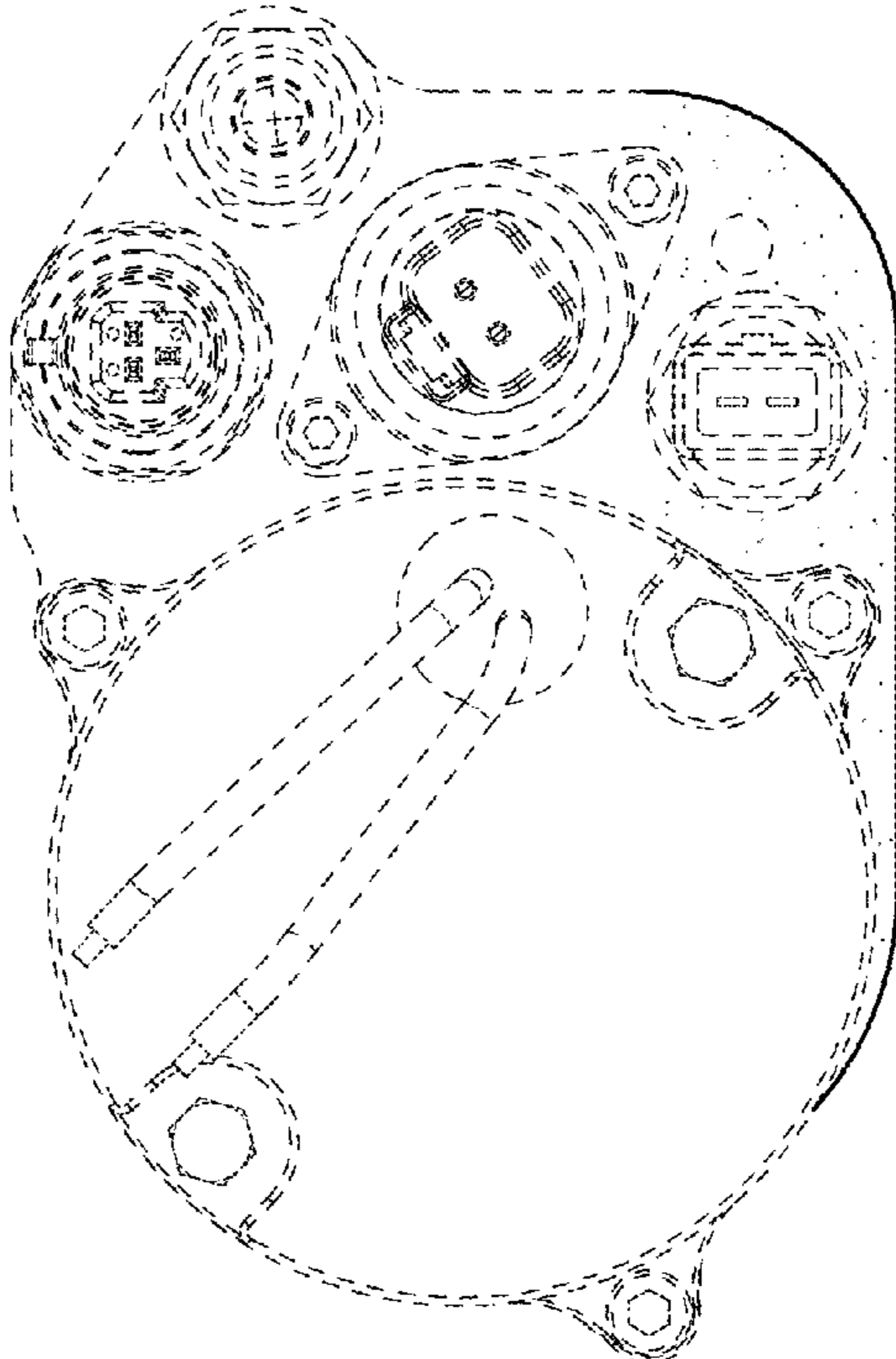
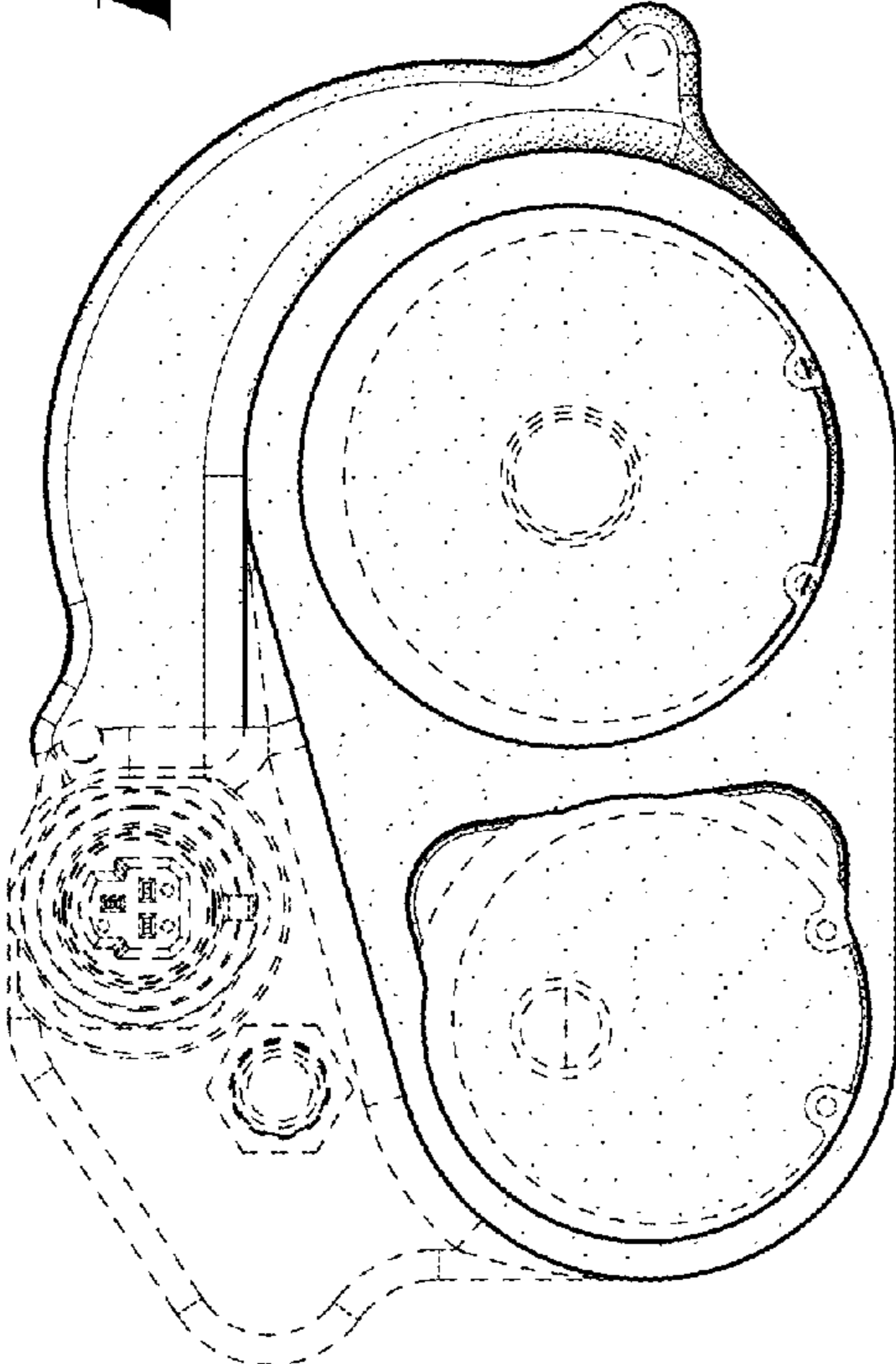


FIG. 7