

US00D744535S

(12) **United States Design Patent**
Shin et al.

(10) **Patent No.:** **US D744,535 S**

(45) **Date of Patent:** **** Dec. 1, 2015**

(54) **DISPLAY SCREEN WITH ANIMATED GRAPHICAL USER INTERFACE**

(71) Applicant: **Microsoft Corporation**, Redmond, WA (US)

(72) Inventors: **Joonkyung Shin**, Seattle, WA (US);
David Gardner, Covington, WA (US)

(73) Assignee: **Microsoft Corporation**, Redmond, WA (US)

(**) Term: **14 Years**

(21) Appl. No.: **29/470,844**

(22) Filed: **Oct. 25, 2013**

(51) **LOC (10) Cl.** **14-04**

(52) **U.S. Cl.**
USPC **D14/489**

(58) **Field of Classification Search**
USPC D14/485-495; 715/835, 836, 837, 840,
715/846, 847, 976, 977
CPC ... G06F 3/048; G06F 3/0481; G06F 3/04817;
G06F 3/0482
See application file for complete search history.

(56) **References Cited**

U.S. PATENT DOCUMENTS

D396,455 S *	7/1998	Bier	D14/489
D550,696 S *	9/2007	Kortum et al.	D14/491
D554,659 S *	11/2007	Hoover et al.	D14/487
D595,311 S *	6/2009	Ozzie et al.	D14/489
D613,301 S *	4/2010	Lee et al.	D14/489

D667,842 S *	9/2012	Ouilhet	D14/489
D669,497 S	10/2012	Lee et al.		
D675,647 S *	2/2013	Frost et al.	D14/489
D689,089 S	9/2013	Impas et al.		
D706,826 S *	6/2014	McLean	D14/491
2012/0096383 A1 *	4/2012	Sakamoto et al.	715/772
2013/0162571 A1 *	6/2013	Tamegai	345/173
2014/0101616 A1 *	4/2014	Kim et al.	715/846
2014/0233719 A1 *	8/2014	Vymenets et al.	379/265.03
2015/0040069 A1 *	2/2015	Gunaratnam et al.	715/834

* cited by examiner

Primary Examiner — Angela J Lee

(74) *Attorney, Agent, or Firm* — Banner & Witcoff, Ltd.

(57) **CLAIM**

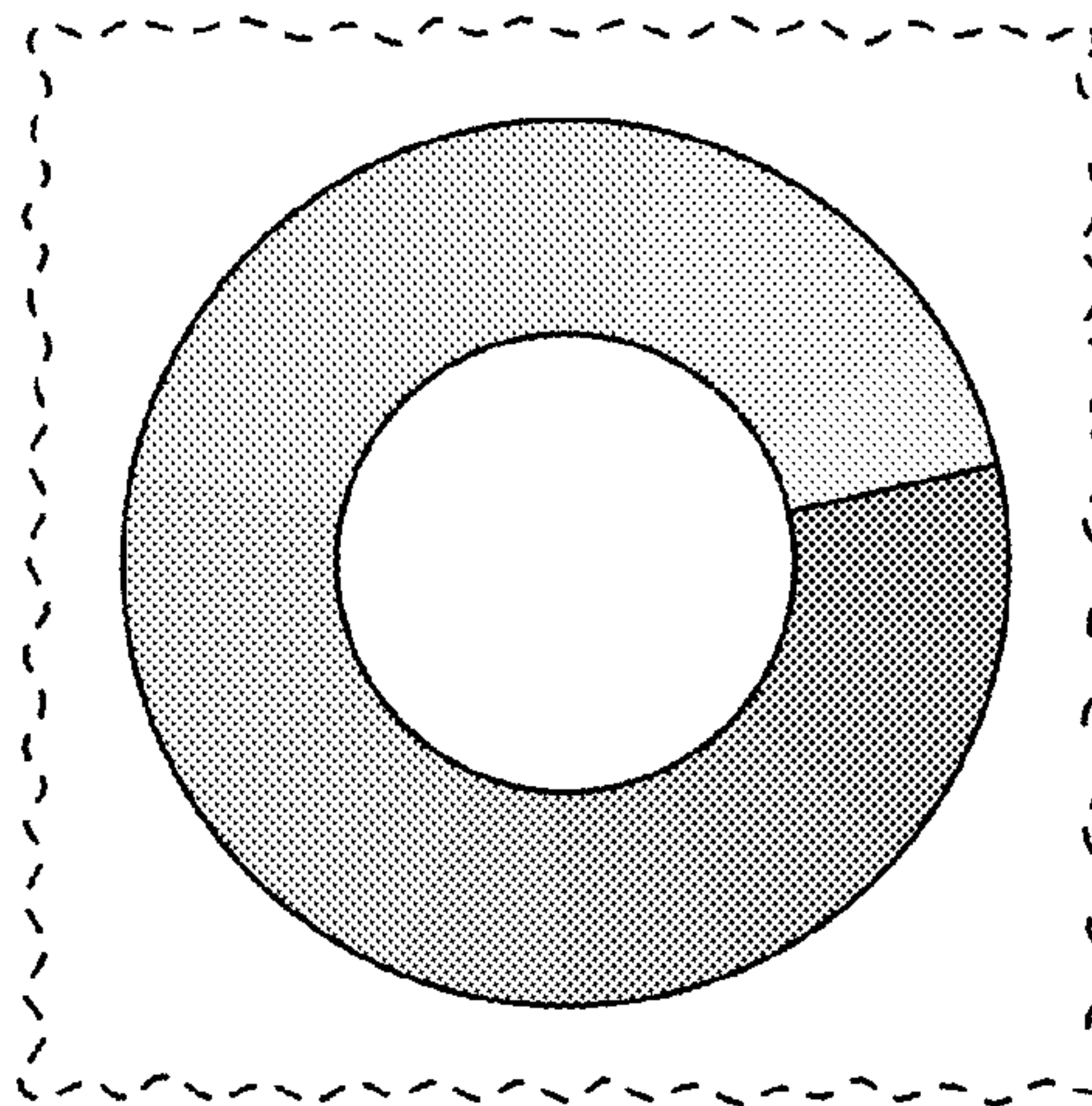
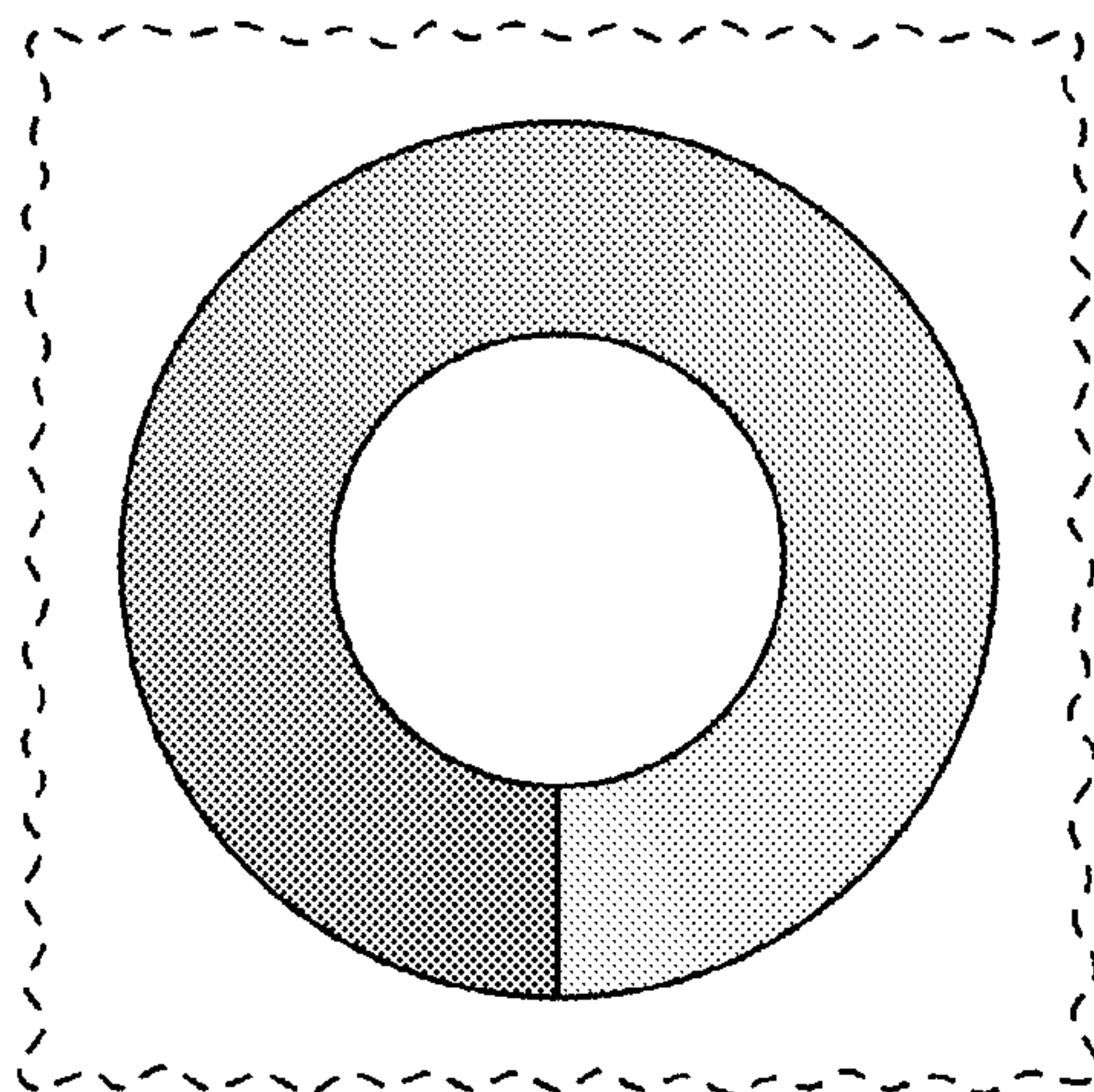
The ornamental design for a display screen with animated graphical user interface, as shown and described.

DESCRIPTION

FIG. 1 is the first image in a sequence for a display screen with animated graphical user interface showing our new design; FIG. 2 is the second image thereof; FIG. 3 is the third image thereof; FIG. 4 is the fourth image thereof; FIG. 5 is the fifth image thereof; FIG. 6 is the sixth image thereof; and, FIG. 7 is the seventh image thereof.

The appearance of the animated user interface sequentially transitions between the images shown in FIGS. 1-7. The process or period in which one image transitions to another forms no part of the claimed design. The broken line showing of the remainder of the display screen is for environmental purposes only and forms no part of the claimed design.

1 Claim, 7 Drawing Sheets



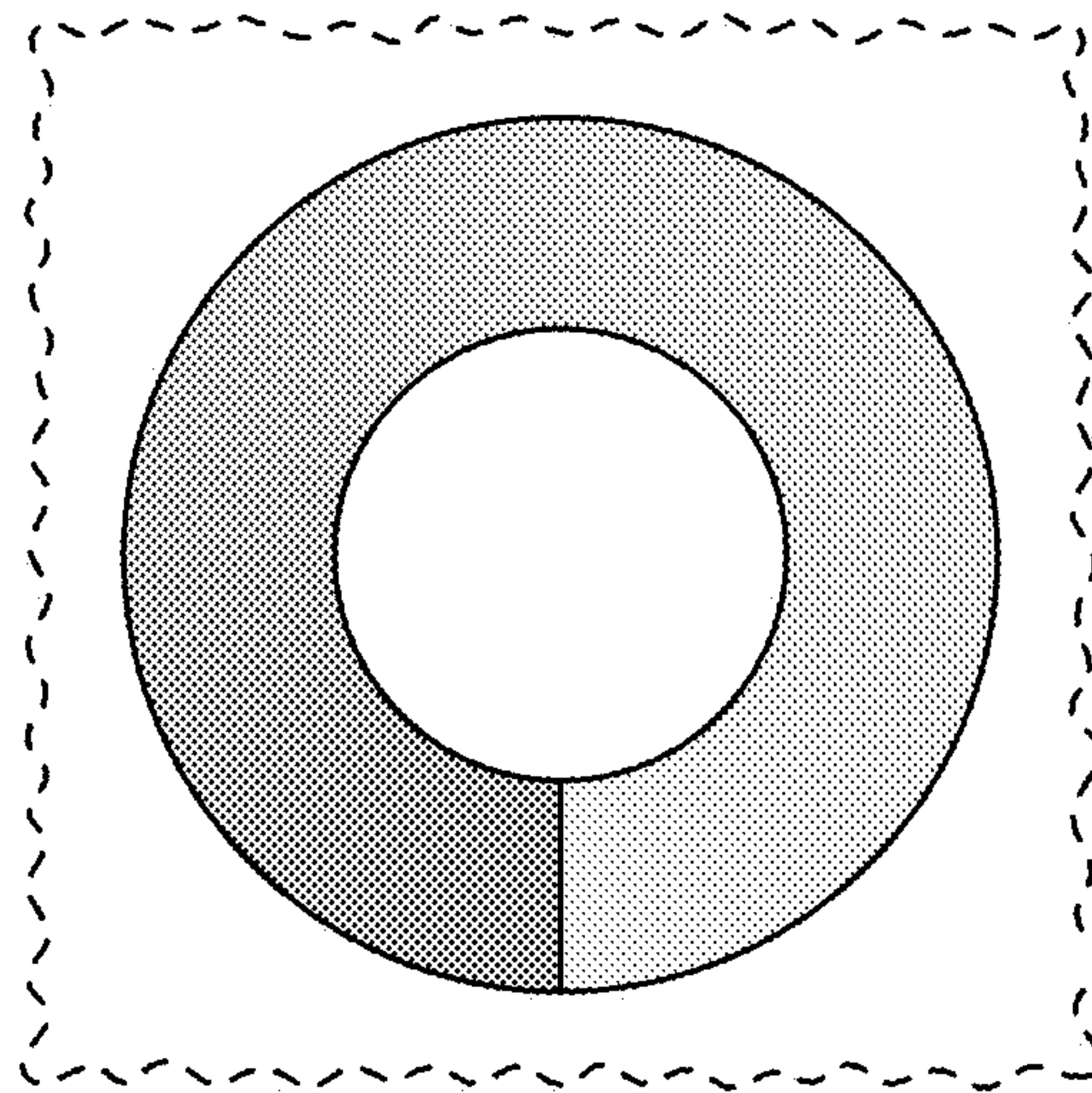


FIG. 1

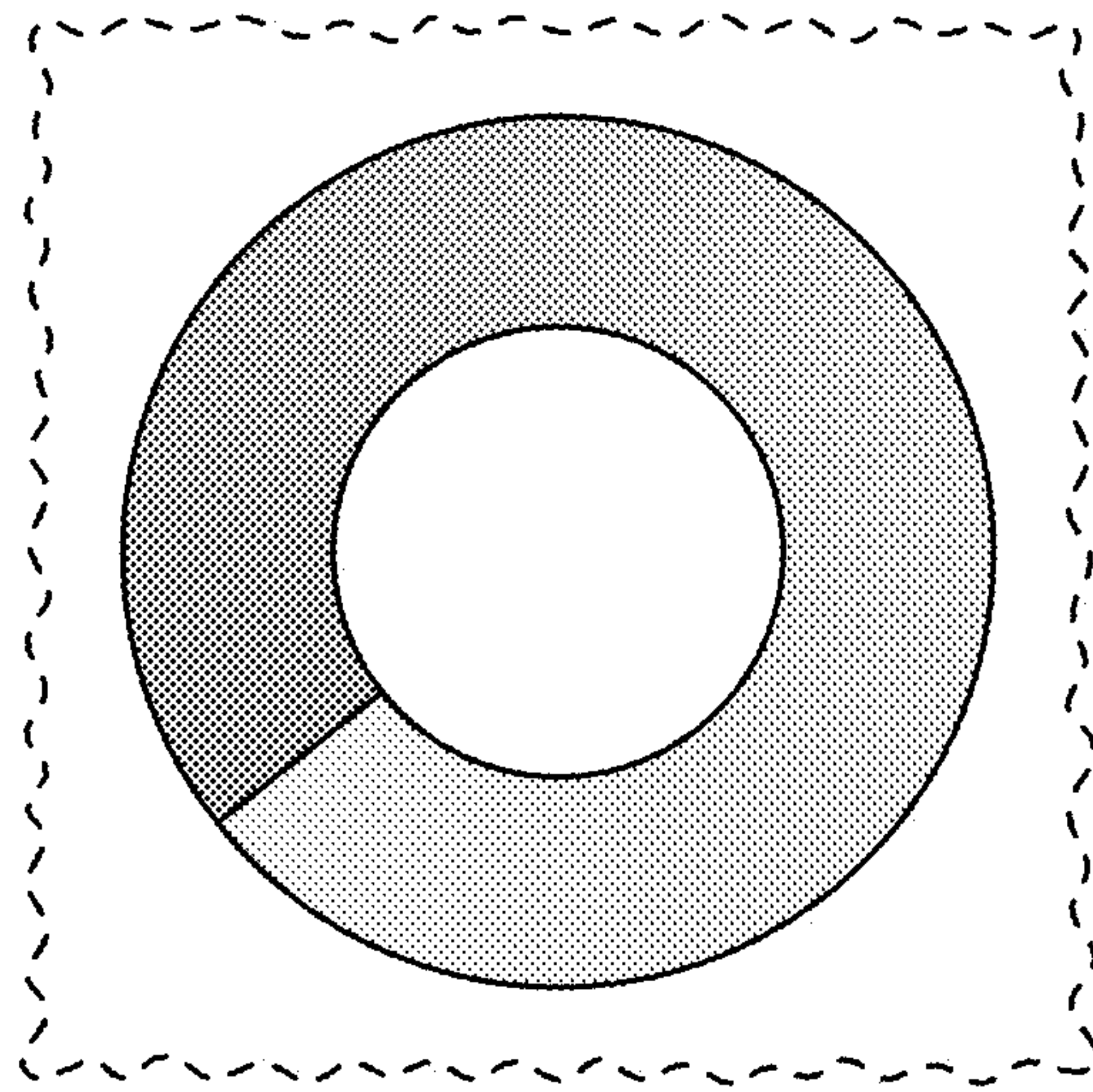


FIG. 2

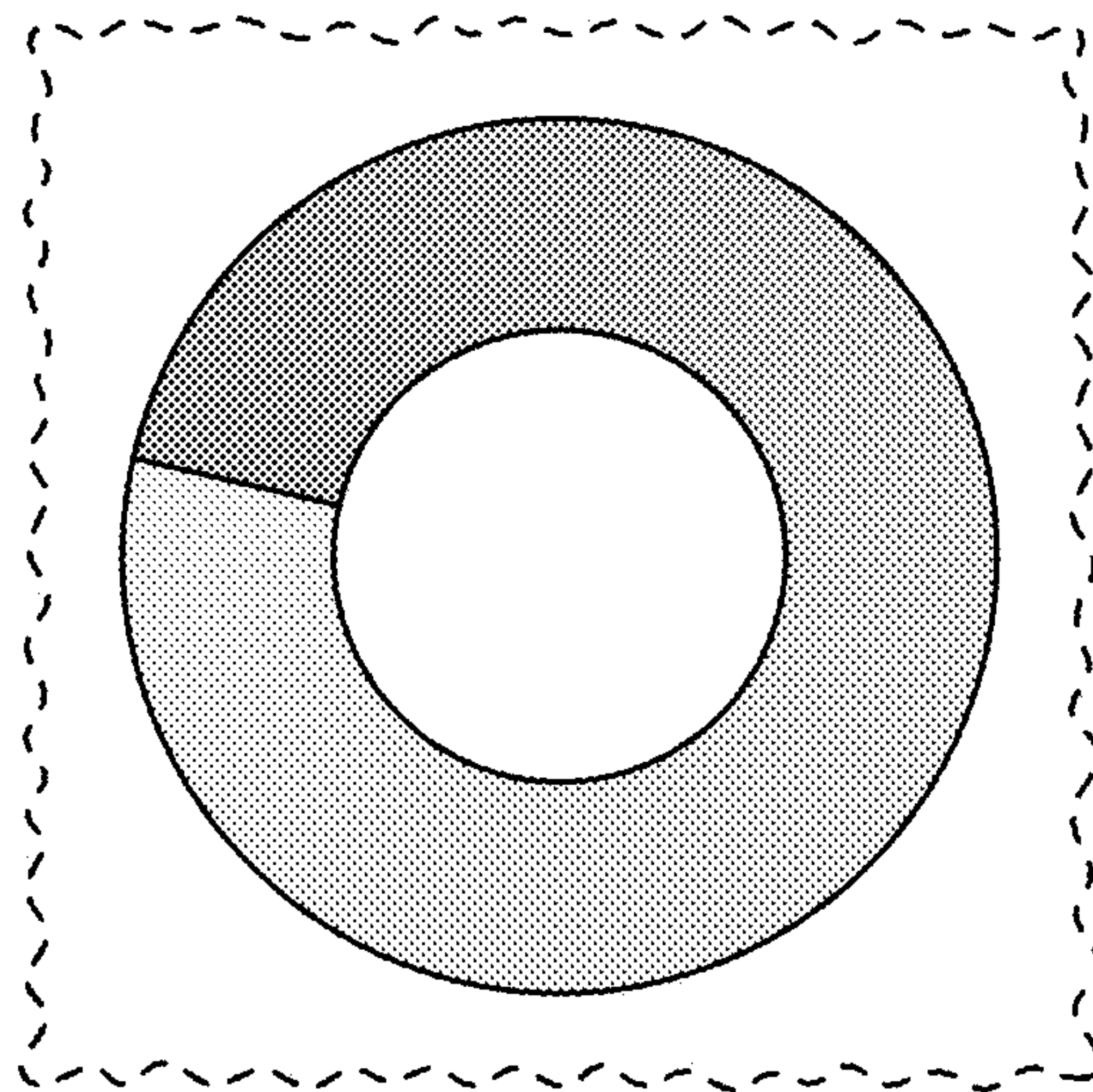


FIG. 3

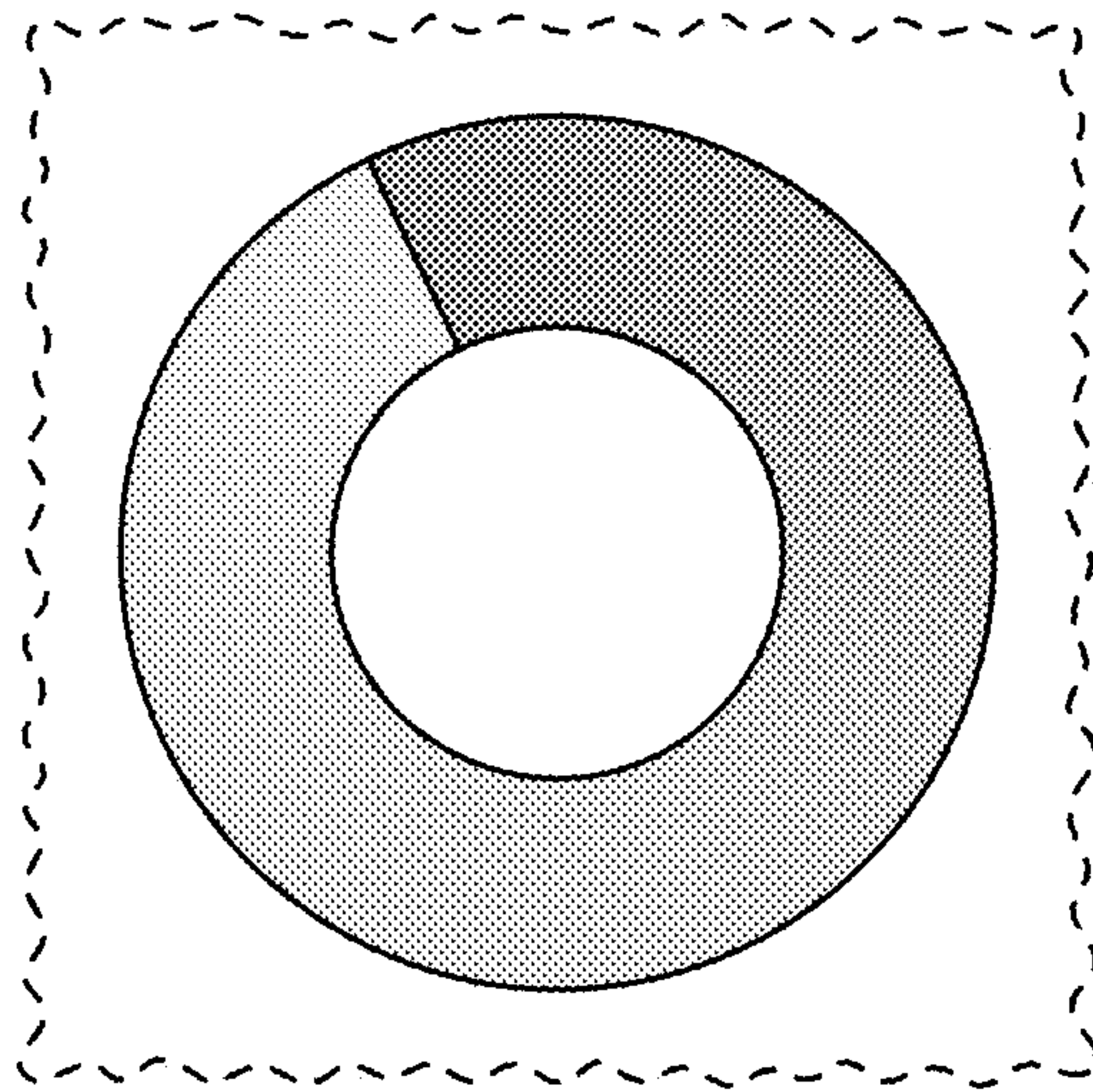


FIG. 4

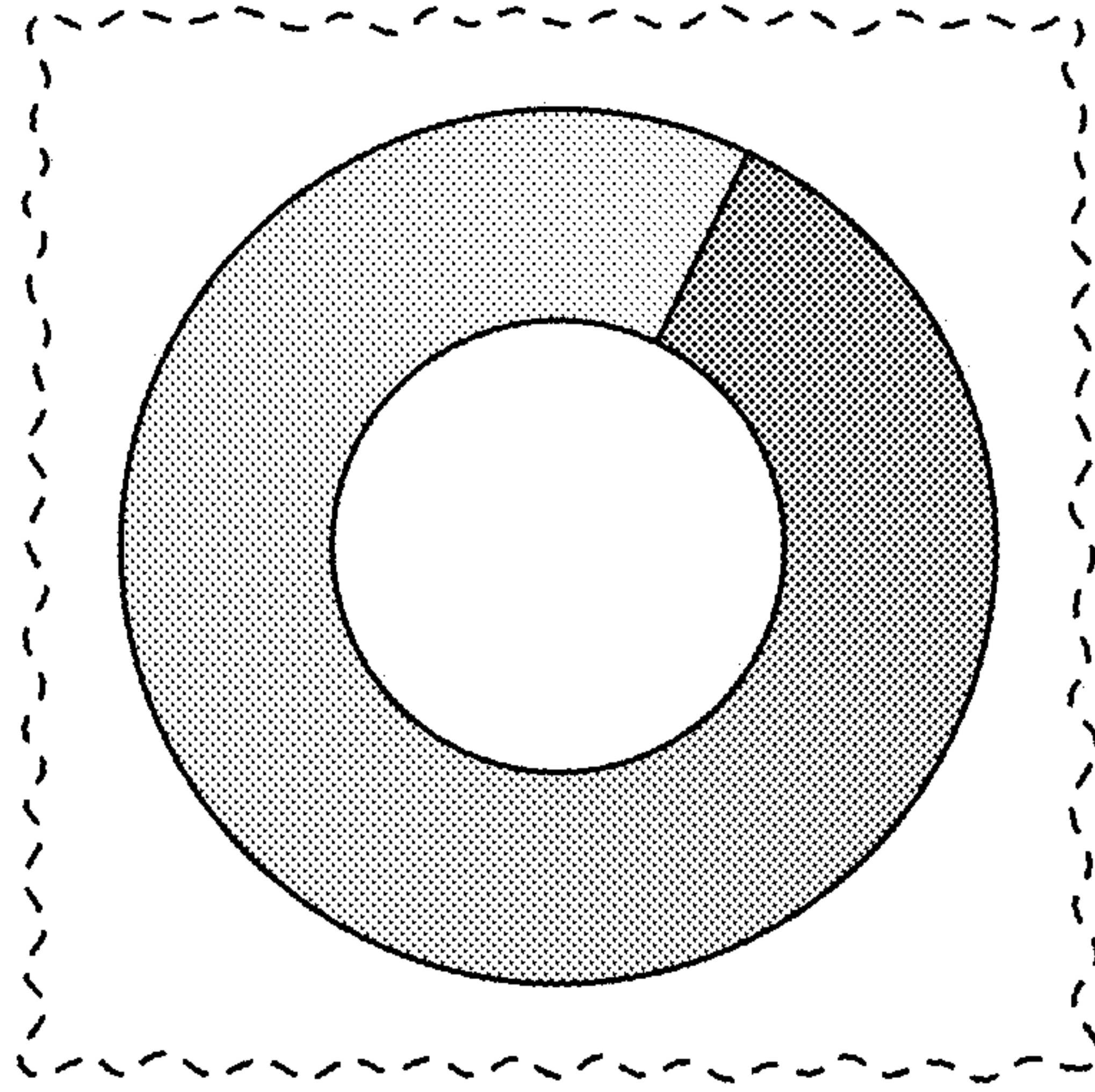


FIG. 5

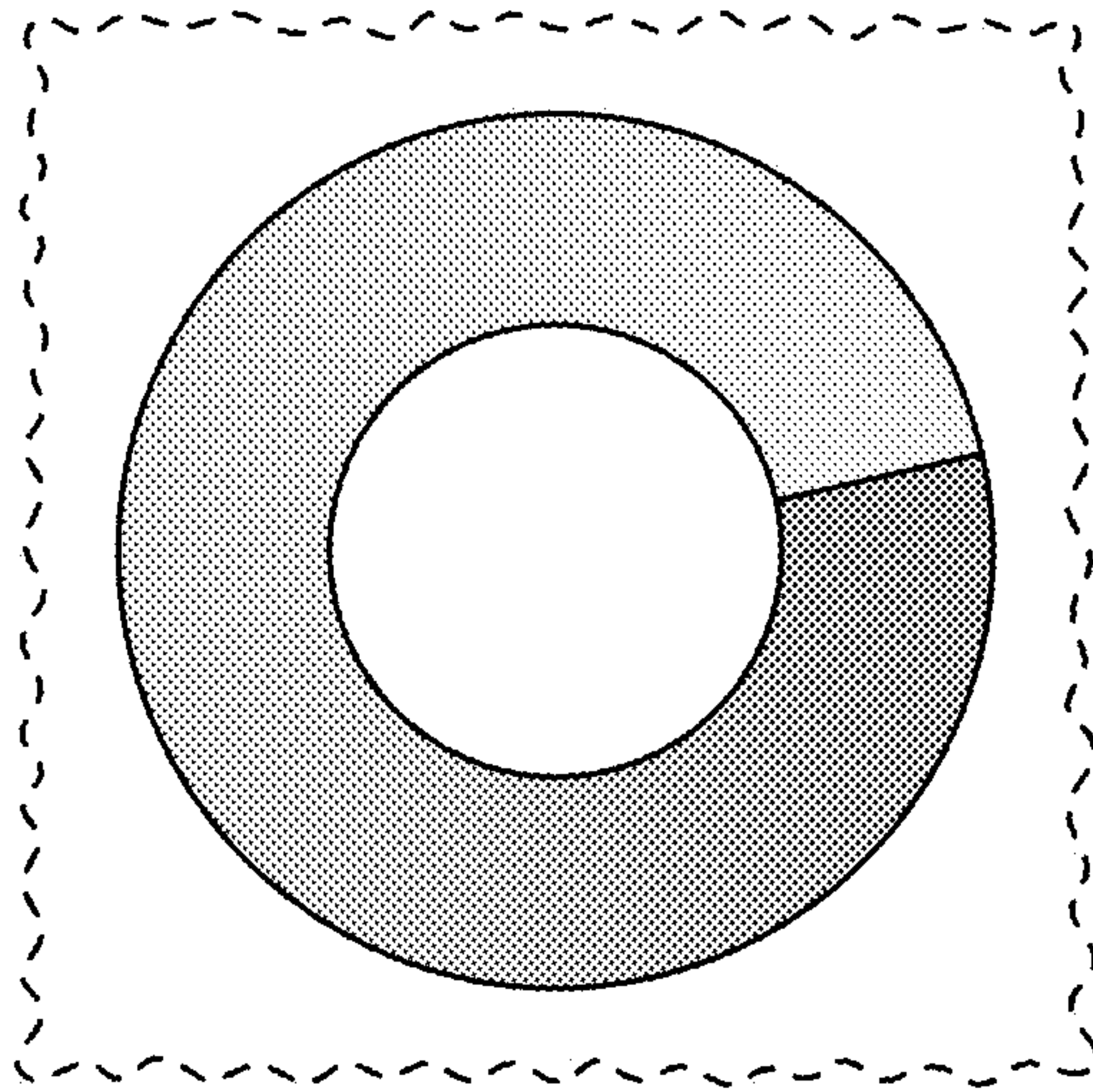


FIG. 6

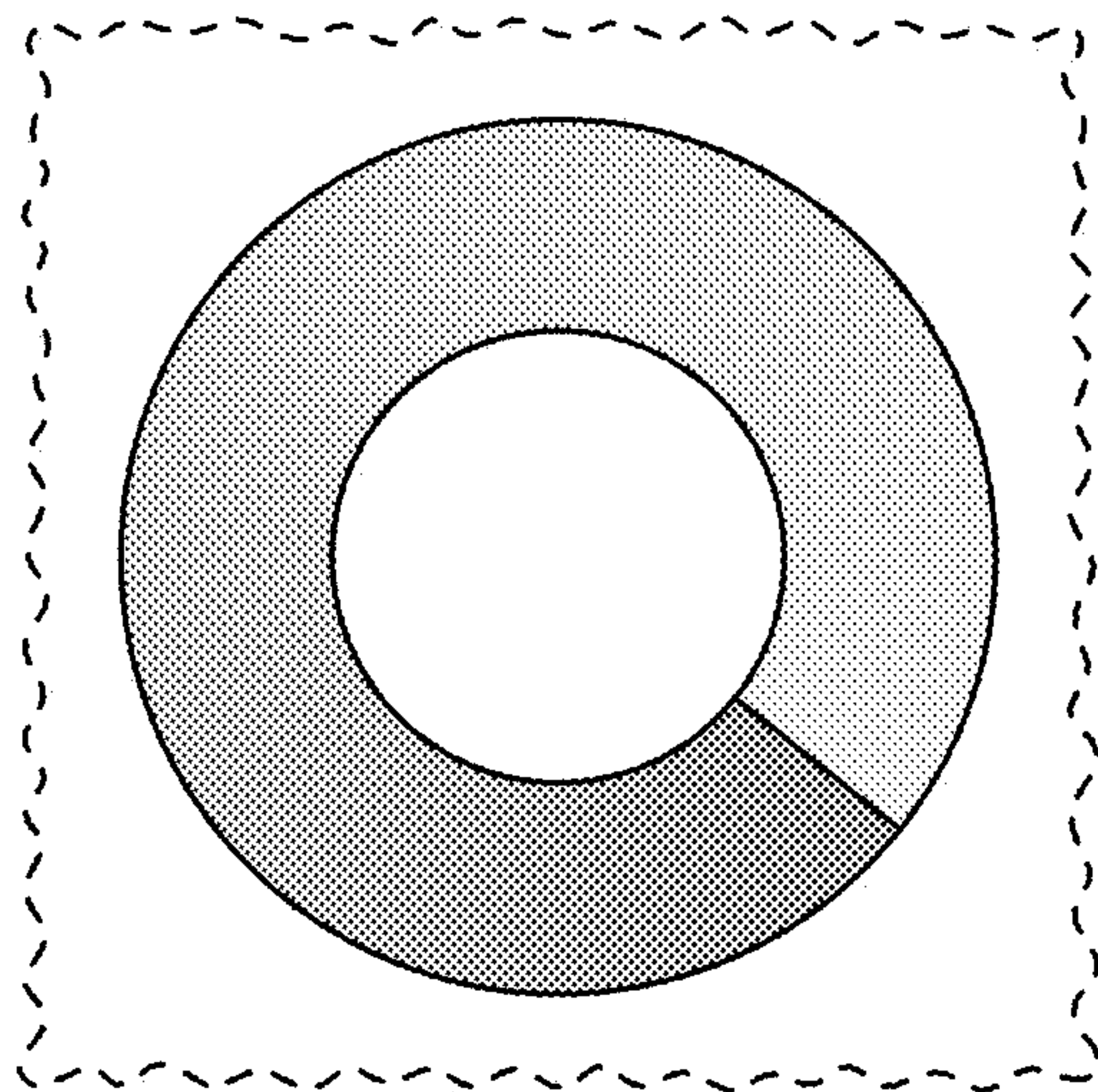


FIG. 7