



US00D744515S

(12) **United States Design Patent**
Morisada et al.

(10) **Patent No.:** **US D744,515 S**

(45) **Date of Patent:** **** Dec. 1, 2015**

(54) **DISPLAY SCREEN OR PORTION THEREOF WITH ANIMATED GRAPHICAL USER INTERFACE FOR A PORTABLE INFORMATION TERMINAL**

G06F 3/04886; G06F 3/048; G06F 3/14; G06F 3/1415; G06F 3/141446; G06F 3/1423; G06F 3/147; G06F 3/0488; G06F 1/1647
See application file for complete search history.

(71) Applicant: **Sony Computer Entertainment Inc.**,
Tokyo (JP)

(56) **References Cited**

U.S. PATENT DOCUMENTS

(72) Inventors: **Hidehiko Morisada**, Tokyo (JP);
Takayuki Shinohara, Tokyo (JP);
Aritoki Kawai, Tokyo (JP); **Tomo Matayoshi**, Tokyo (JP); **Yuko Nagaoka**, Tokyo (JP)

D609,715 S	2/2010	Chaudhri
D613,300 S	4/2010	Chaudhri
D624,932 S	10/2010	Chaudhri
D637,606 S	5/2011	Luke et al.
D638,432 S	5/2011	Flik et al.
D642,192 S	7/2011	Arnold
D648,347 S	11/2011	Chaudhri

(Continued)

(73) Assignee: **Sony Computer Entertainment Inc.**,
Tokyo (JP)

Primary Examiner — Mary Ann Calabrese

(**) Term: **14 Years**

(74) *Attorney, Agent, or Firm* — Michael Best & Friedrich LLP

(21) Appl. No.: **29/496,706**

(22) Filed: **Jul. 16, 2014**

(57) **CLAIM**

The ornamental design for a display screen or portion thereof with animated graphical user interface for a portable information terminal, as shown and described.

Related U.S. Application Data

(62) Division of application No. 29/446,608, filed on Feb. 26, 2013, now Pat. No. Des. 712,426.

DESCRIPTION

(30) **Foreign Application Priority Data**

Sep. 13, 2012	(JP)	D2012-022241
Sep. 13, 2012	(JP)	D2012-022242
Sep. 13, 2012	(JP)	D2012-022243
Sep. 13, 2012	(JP)	D2013-022244

FIG. 1 is a first image in a sequence for a display screen or portion thereof with animated graphical user interface for a portable information terminal showing our new design; FIG. 2 is a second image thereof; FIG. 3 is a third image thereof; and, FIG. 4 is a fourth image thereof.

(51) **LOC (10) Cl.** **14-04**

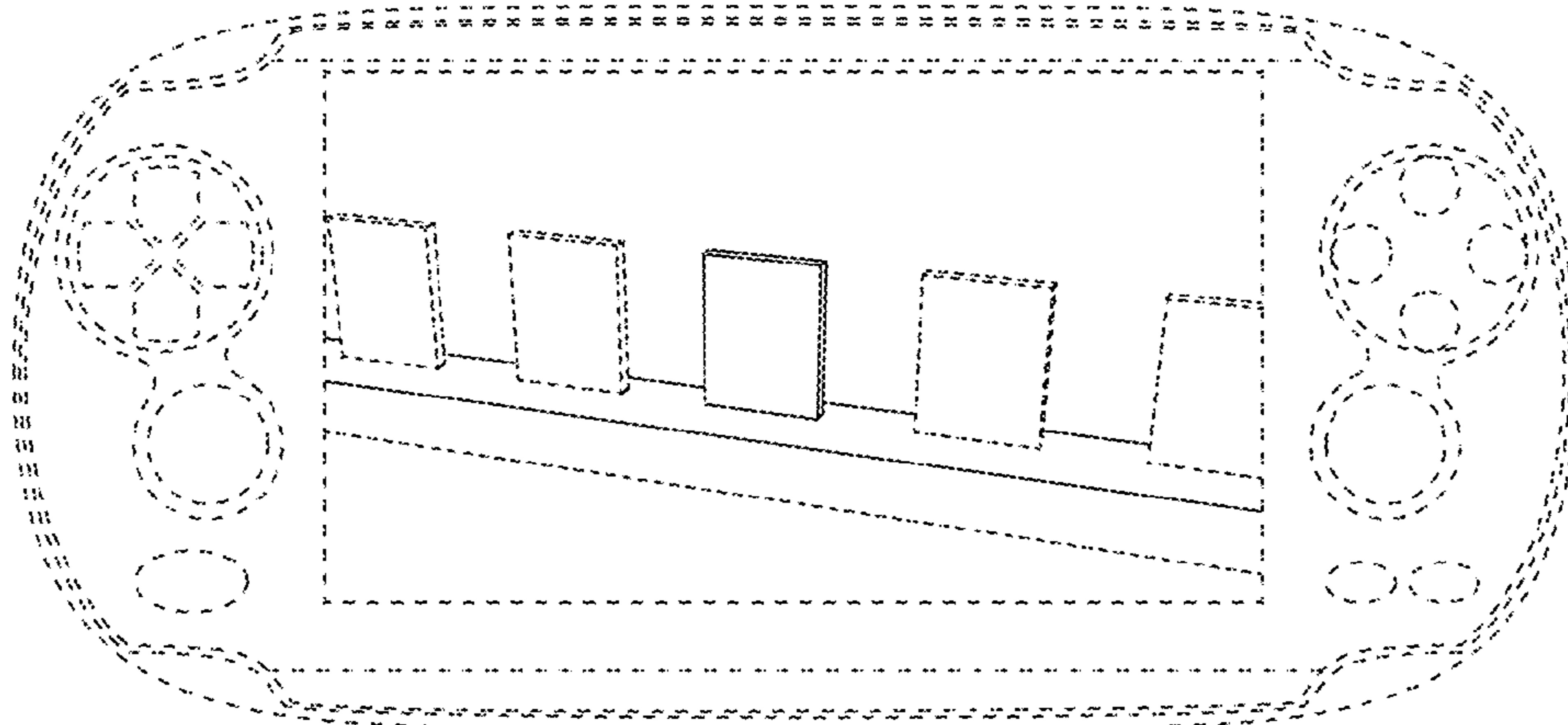
The appearance of the animated image sequentially transitions between FIGS. 1 to 4. The process or period in which one image transitions to another image forms no part of the claimed design.

(52) **U.S. Cl.**
USPC **D14/486**

The broken lines showing of the display screen or portion thereof with animated graphical user interface for a portable information terminal are for environmental purposes only and form no part of the claimed design.

(58) **Field of Classification Search**
USPC D14/485–495; D18/24–23; D20/11, 12, D20/18, 22–28, 40
CPC ... G06F 3/0481; G06F 3/0482; G06F 3/0483; G06F 3/04812; G06F 3/0486; G06F 3/04815; G06F 3/04817; G06F 3/04845; G06F 3/04855;

1 Claim, 2 Drawing Sheets



(56)

References Cited

U.S. PATENT DOCUMENTS

D664,552 S	7/2012	Gleasman et al.	2006/0271867 A1	11/2006	Wang et al.
D664,553 S	7/2012	Gleasman et al.	2007/0226645 A1	9/2007	Kongqiao et al.
D681,044 S	4/2013	Sakata	2008/0066016 A1*	3/2008	Dowdy et al. 715/854
8,687,211 B2*	4/2014	Mitsui et al. 358/1.13	2010/0205563 A1*	8/2010	Haapsaari et al. 715/825
D712,426 S *	9/2014	Morisada et al. D14/486	2010/0325568 A1	12/2010	Pedersen et al.
D718,333 S *	11/2014	Lacour et al. D14/487	2011/0107223 A1	5/2011	Tilton et al.
D721,722 S *	1/2015	Lee D14/486	2012/0017147 A1*	1/2012	Mark 715/702
			2013/0091458 A1	4/2013	Kang
			2014/0304644 A1*	10/2014	Pereira et al. 715/784

* cited by examiner

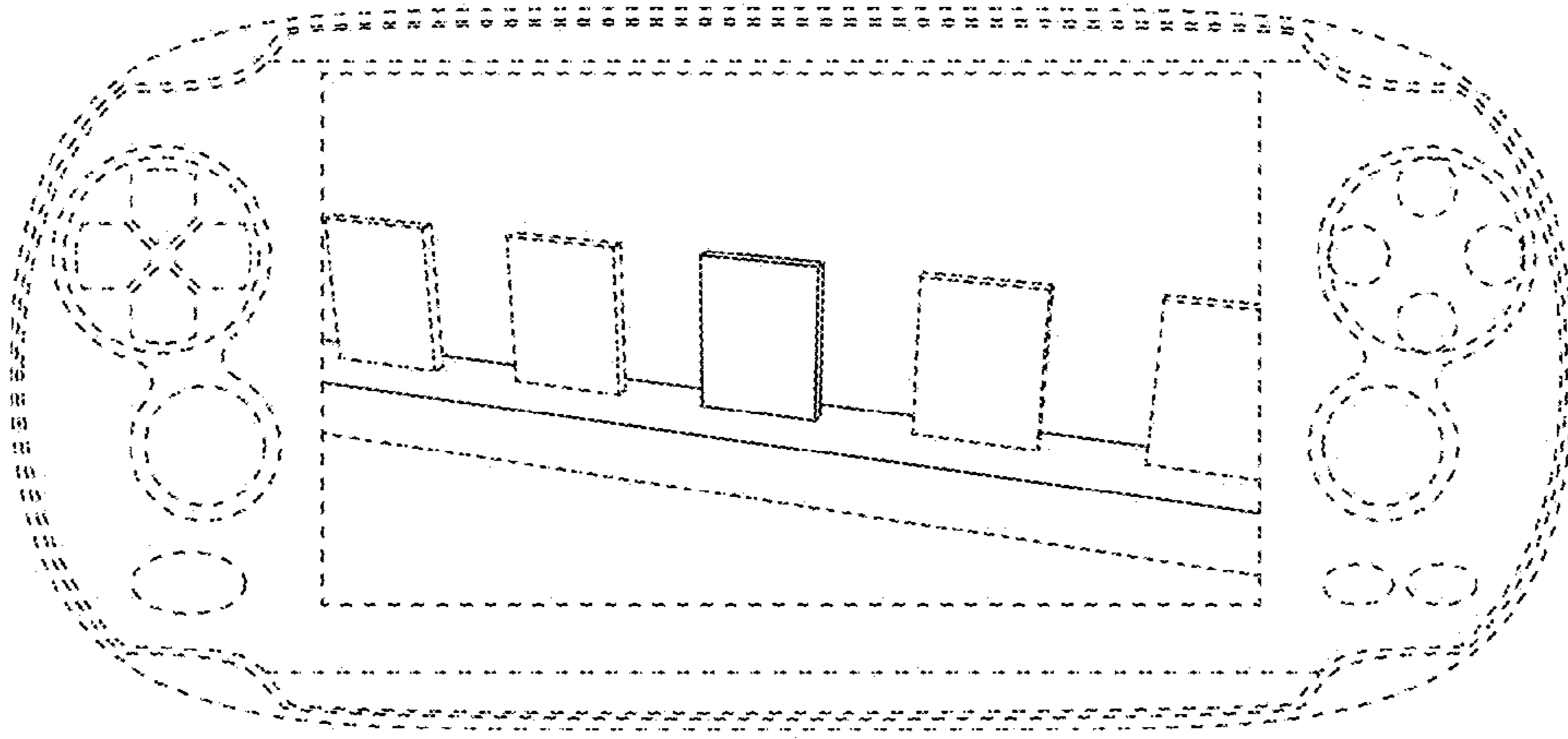


FIG. 1

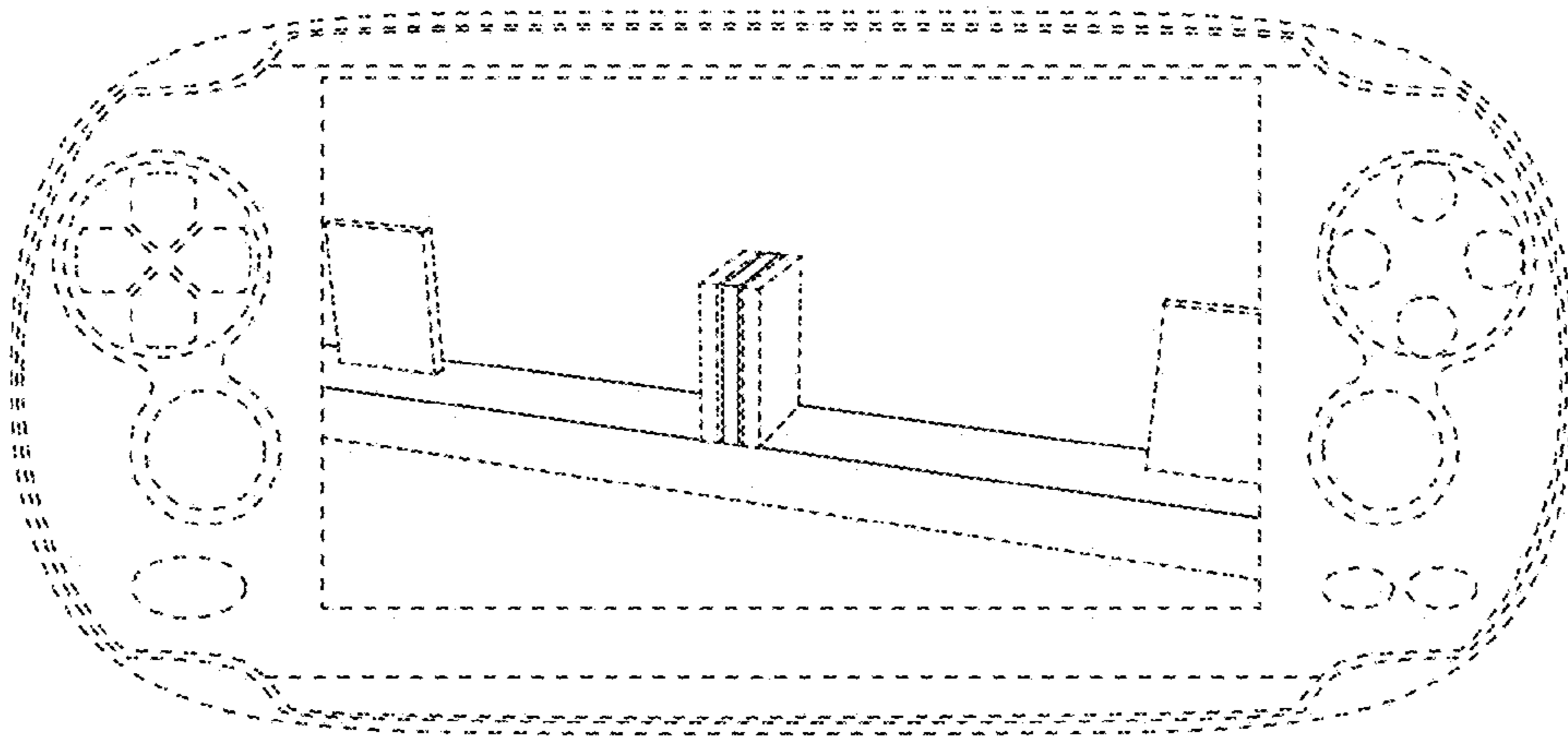


FIG. 2

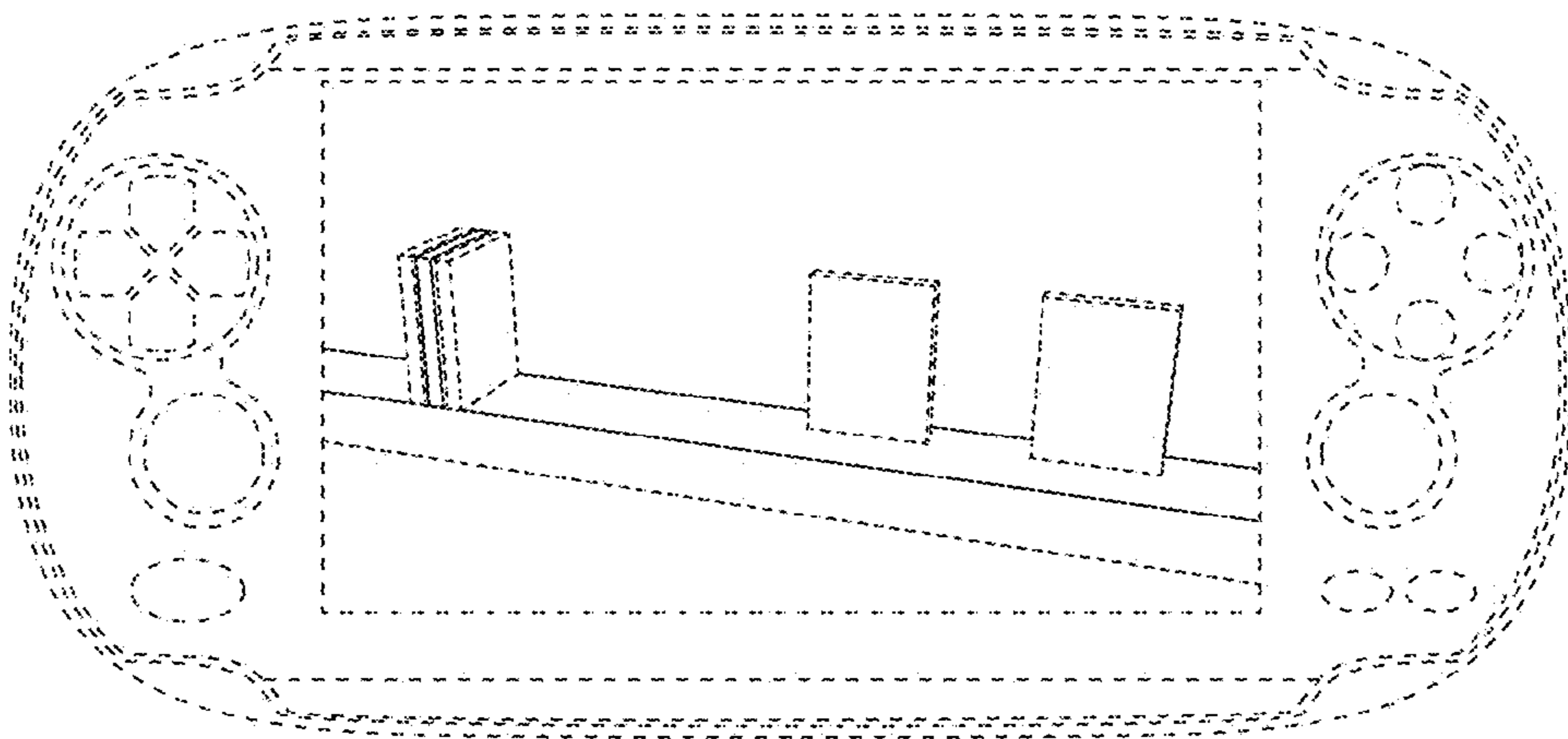


FIG. 3

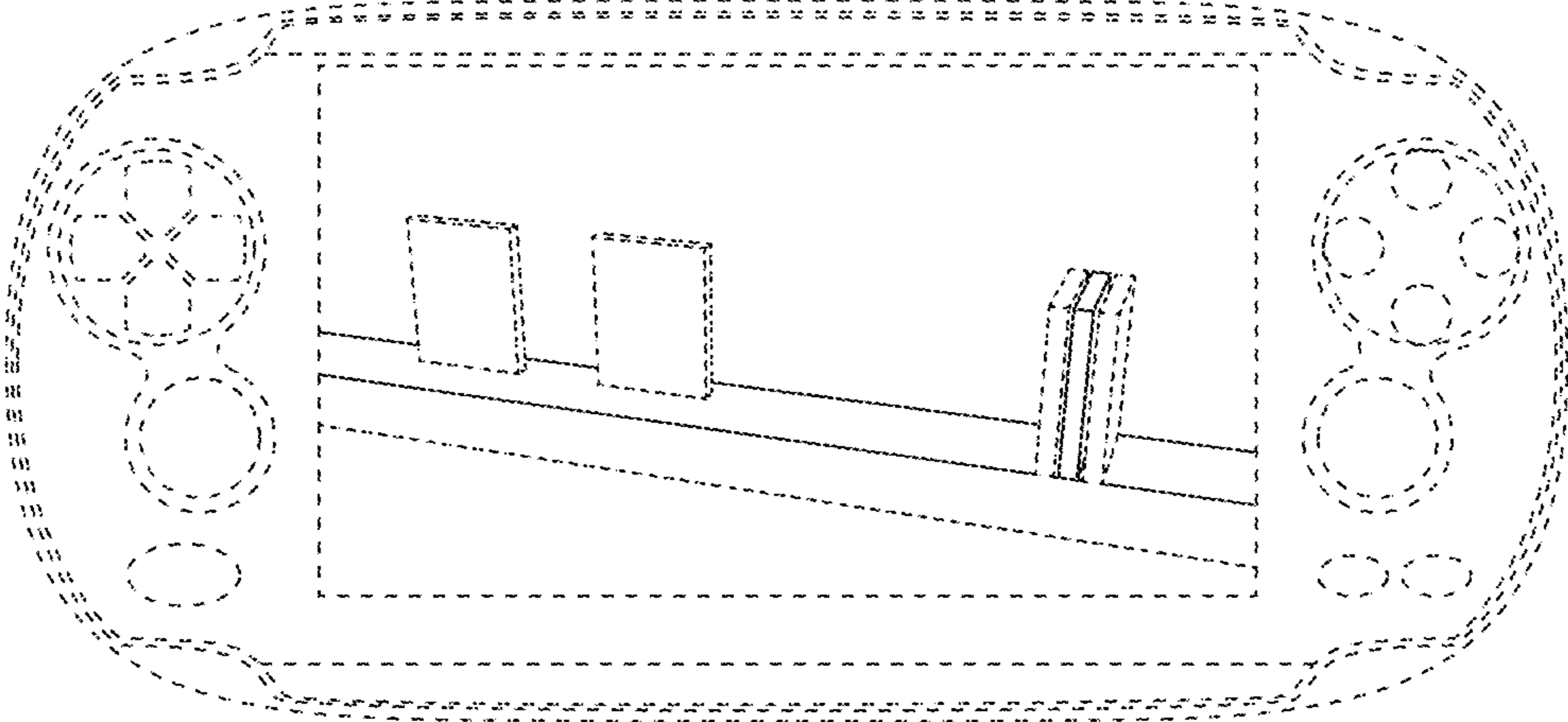


FIG. 4