



US00D744511S

(12) **United States Design Patent**
Baumann

(10) **Patent No.:** **US D744,511 S**

(45) **Date of Patent:** **** *Dec. 1, 2015**

(54) **DISPLAY SCREEN OR PORTION THEREOF WITH GRAPHICAL USER INTERFACE**

(71) Applicant: **Apple Inc.**, Cupertino, CA (US)

(72) Inventor: **Laurent Baumann**, Campbell, CA (US)

(73) Assignee: **Apple Inc.**, Cupertino, CA (US)

(*) Notice: This patent is subject to a terminal disclaimer.

(**) Term: **14 Years**

(21) Appl. No.: **29/466,510**

(22) Filed: **Sep. 9, 2013**

Related U.S. Application Data

(62) Division of application No. 29/412,660, filed on Feb. 6, 2012, now Pat. No. Des. 689,508.

(51) **LOC (10) Cl.** **14-04**

(52) **U.S. Cl.**
USPC **D14/486**; D14/492

(58) **Field of Classification Search**
USPC D14/485-95; D18/24-33; D19/6, 52;
D20/11; D21/324-33; 715/700-867,
715/973-77
CPC G06F 3/048-3/04897
See application file for complete search history.

(56) **References Cited**

U.S. PATENT DOCUMENTS

1,783,484 A	12/1930	Ross
2,510,508 A	6/1950	Mayer
3,132,391 A	5/1964	Steensland
4,286,358 A	9/1981	Levin
4,658,479 A	4/1987	Sanders
D302,280 S	7/1989	Sanders
D304,958 S	12/1989	Gutierrez
5,170,535 A	12/1992	Strong

5,535,486 A	7/1996	Cabili
D415,522 S	10/1999	Ostrander
6,020,885 A	2/2000	Honda
D440,979 S	4/2001	Wang et al.
D471,225 S	3/2003	Gray
D509,512 S *	9/2005	Hernandez et al. D14/493
D562,343 S	2/2008	Fletcher
7,370,284 B2	5/2008	Andrea et al.
7,689,931 B2	3/2010	Koga et al.
D629,814 S	12/2010	Lew
7,849,622 B2	12/2010	Flores
8,205,166 B2	6/2012	Gotz

(Continued)

FOREIGN PATENT DOCUMENTS

KR	30-0400358	12/2005
KR	30-0486178	4/2008
KR	30-0486180	4/2008

OTHER PUBLICATIONS

Trademark applications 73634061, 74010431, 74685439, 75185777.*

(Continued)

Primary Examiner — Melanie H Tung

(74) *Attorney, Agent, or Firm* — Sterne, Kessler, Goldstein & Fox P.L.L.C.

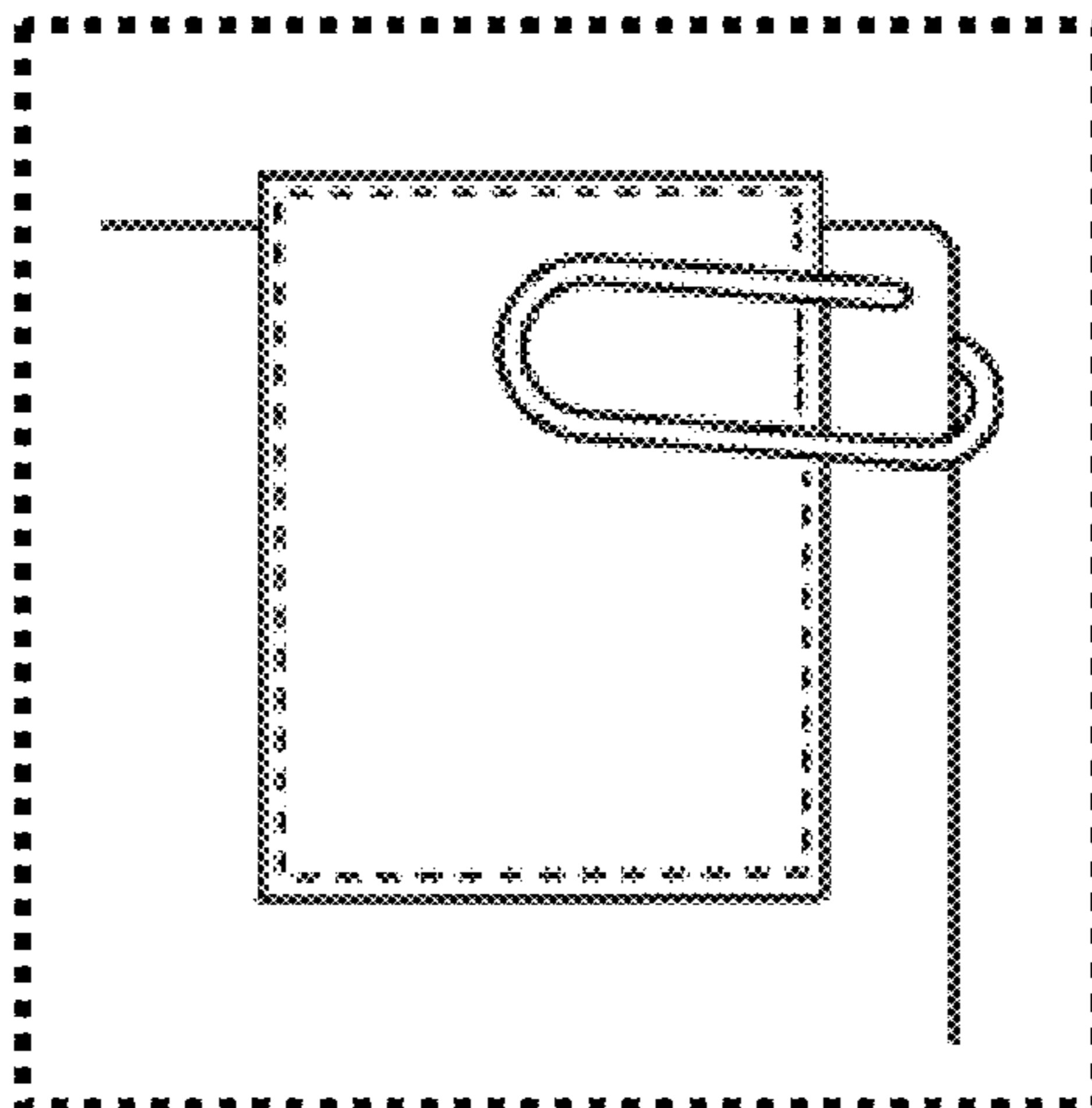
(57) **CLAIM**

The ornamental design for a display screen or portion thereof with graphical user interface, as shown and described.

DESCRIPTION

The FIGURE is a front view of a display screen or portion thereof with graphical user interface showing my new design. The broken lines around the FIGURE show a display screen or portion thereof, and form no part of the claimed design. The broken lines within the graphical user interface and the area within form no part of the claimed design.

1 Claim, 1 Drawing Sheet



(56)

References Cited

2008/0189658 A1 8/2008 Jeong et al.

U.S. PATENT DOCUMENTS

OTHER PUBLICATIONS

D671,956 S 12/2012 Dellinger
D689,508 S * 9/2013 Baumann D14/486
D704,222 S * 5/2014 Lee et al. D14/493
D716,819 S * 11/2014 Kotler et al. D14/485
D724,608 S * 3/2015 Fino D14/486

U.S. Appl. No. 29/393,470, filed Jun. 4, 2011.

* cited by examiner

