



US00D744490S

(12) **United States Design Patent**  
**Hsu et al.**

(10) **Patent No.:** **US D744,490 S**  
(45) **Date of Patent:** **\*\* Dec. 1, 2015**

(54) **PROTECTIVE FOLIO FOR MULTIPLE TYPES OF INPUT DEVICES**

(71) Applicant: **Logitech Europe S.A.**, Lausanne (CH)

(72) Inventors: **Eric Hsu**, Zhubei (TW); **Malachy Spollen**, Lausanne (CH)

(73) Assignee: **Logitech Europe S.A.**, Lausanne (CH)

(\*\*) Term: **14 Years**

(21) Appl. No.: **29/506,911**

(22) Filed: **Oct. 21, 2014**

(51) **LOC (10) Cl.** ..... **14-02**

(52) **U.S. Cl.**  
USPC ..... **D14/440**

(58) **Field of Classification Search**  
USPC ..... D14/250, 251, 253, 240, 217, 496, 440,  
D14/203.3, 203.4, 203.5, 203.8, 341, 318;  
D3/218, 215, 201, 294, 289, 900;  
220/4.02; 248/309.1; 361/679.56;  
379/426, 433.11, 455; 455/575.1,  
455/575.8, 457.1; 190/100; 206/305, 320,  
206/45.2; D21/469; 312/240  
CPC ... G06F 1/1601; G06F 1/1626; G06F 1/1633;  
G06F 1/1675; G06F 1/1679; G02F 1/1306;  
G02F 1/133; G02F 1/133308; G02F 1/153;  
G02F 1/1533; G02F 2001/133317; H04M  
1/185; H04M 1/0252; H04B 1/3888  
See application file for complete search history.

(56) **References Cited**

**U.S. PATENT DOCUMENTS**

1,613,536	A *	1/1927	Rose	132/315
D230,376	S *	2/1974	Andrew	D19/91
4,259,568	A *	3/1981	Dynesen	235/1 D
6,772,879	B1 *	8/2004	Domotor	206/45.23
7,281,698	B2 *	10/2007	Patterson, Jr.	248/458
7,414,833	B2 *	8/2008	Kittayapong	361/679.27
D600,699	S *	9/2009	Johnston et al.	D14/440
7,735,644	B2 *	6/2010	Sirichai et al.	206/320

D658,187	S *	4/2012	Diebel	D14/440
D658,188	S *	4/2012	Diebel	D14/440
D663,304	S *	7/2012	Akana et al.	D14/440
8,230,992	B2 *	7/2012	Law et al.	206/320
8,245,843	B1 *	8/2012	Wu	206/320
D669,480	S *	10/2012	Piedra et al.	D14/440
8,312,991	B2 *	11/2012	Diebel et al.	206/45.24
D671,948	S *	12/2012	Akana et al.	D14/440
D672,353	S *	12/2012	Liu	D14/440
D672,781	S *	12/2012	Lu	D14/440
D675,625	S *	2/2013	Hasbrook et al.	D14/440
D678,260	S *	3/2013	Bau	D14/250
D679,279	S *	4/2013	Yang et al.	D14/440
D679,715	S *	4/2013	Akana et al.	D14/440
8,424,830	B2 *	4/2013	Yang et al.	248/459
D681,641	S *	5/2013	Van Den Nieuwenhuizen et al.	D14/440
D682,836	S *	5/2013	Akana et al.	D14/440
D682,838	S *	5/2013	Akana et al.	D14/440

(Continued)

*Primary Examiner* — Cynthia Underwood

(74) *Attorney, Agent, or Firm* — Kilpatrick Townsend & Stockton LLP

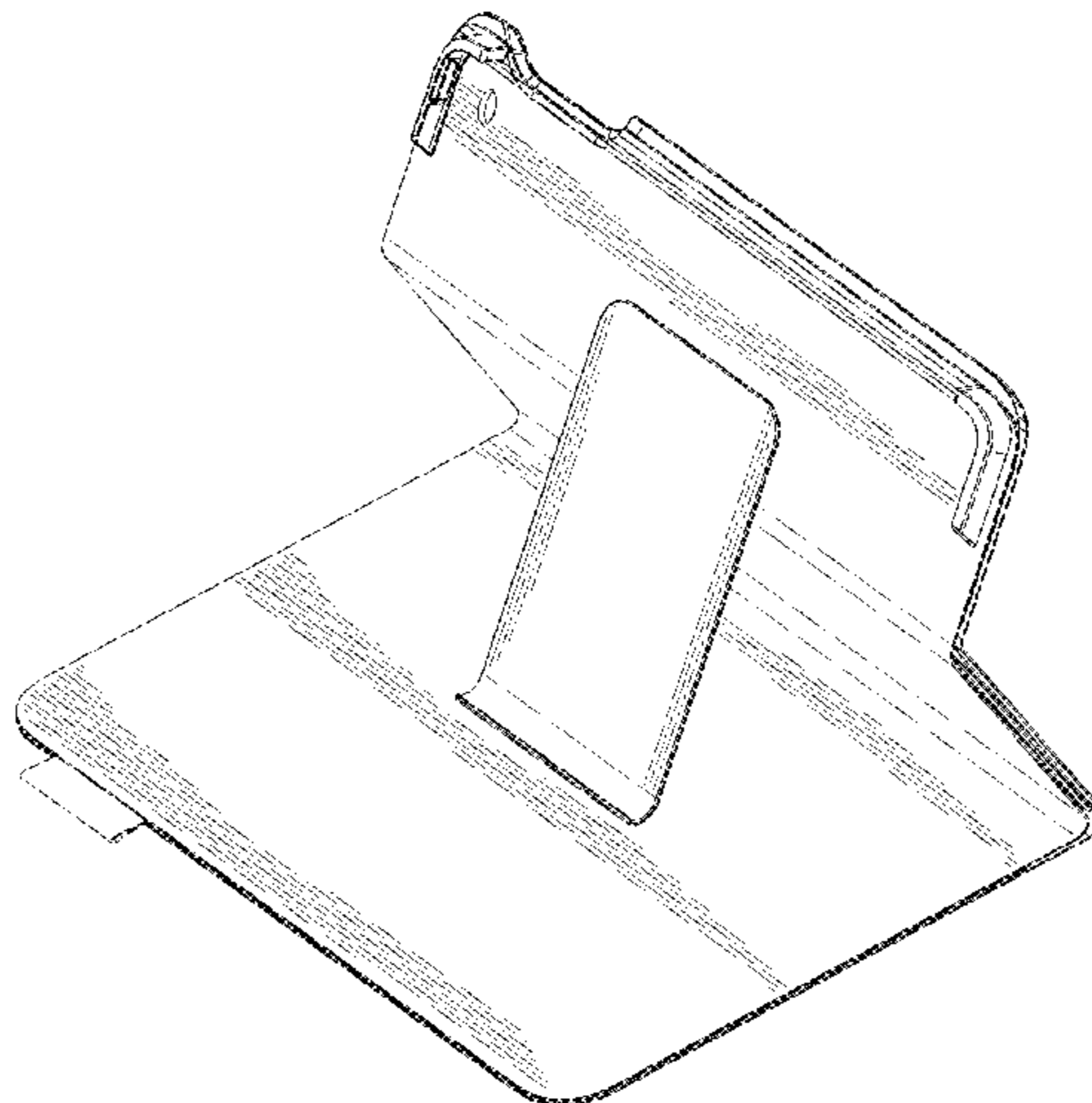
(57) **CLAIM**

The ornamental design for a protective folio for multiple types of input device, as shown and described.

**DESCRIPTION**

FIG. 1 is a perspective open view of our protective folio for multiple types of input devices showing our new design in an open configuration;  
FIG. 2 is a top plan view thereof;  
FIG. 3 is a bottom plan view thereof;  
FIG. 4 is a front elevational view thereof;  
FIG. 5 is a back elevational view thereof;  
FIG. 6 is a left side elevational view thereof;  
FIG. 7 is a right side elevational view thereof; and,  
FIG. 8 is a perspective view showing our new design in a closed configuration.  
Broken lines shown in the drawings form no part of the claimed design.

**1 Claim, 8 Drawing Sheets**



(56)

References Cited

U.S. PATENT DOCUMENTS

D683,141	S *	5/2013	Symons	.....	D6/310
D687,438	S *	8/2013	Lu	.....	D14/440
D690,305	S *	9/2013	Wen	.....	D14/440
D690,702	S *	10/2013	Chung	.....	D14/440
D691,142	S *	10/2013	Diebel	.....	D14/440
D692,434	S *	10/2013	Kim	.....	D14/440
D693,823	S *	11/2013	Chen et al.	.....	D14/440
D695,296	S *	12/2013	Hsu	.....	D14/440
D696,253	S *	12/2013	Akana et al.	.....	D14/345
D696,256	S *	12/2013	Piedra et al.	.....	D14/440
D696,669	S *	12/2013	Akana et al.	.....	D14/440
8,640,864	B2 *	2/2014	Chen et al.	.....	206/45.2
8,644,893	B2 *	2/2014	Liang	.....	455/575.1
8,657,112	B2 *	2/2014	Igarashi	.....	206/320
D701,205	S *	3/2014	Akana et al.	.....	D14/345
D702,673	S *	4/2014	Murchison et al.	.....	D14/250
D704,689	S *	5/2014	Chang	.....	D14/250
D704,693	S *	5/2014	Kim	.....	D14/250
D706,270	S *	6/2014	Akana et al.	.....	D14/440
D706,783	S *	6/2014	Almodova	.....	D14/440
D707,229	S *	6/2014	Almodova	.....	D14/440
8,757,375	B2 *	6/2014	Huang	.....	206/320
D708,838	S *	7/2014	Lee	.....	D3/201
8,763,795	B1 *	7/2014	Oten et al.	.....	206/45.23
8,766,921	B2 *	7/2014	Ballagas et al.	.....	345/168
8,773,353	B2 *	7/2014	Wei	.....	345/156
8,783,458	B2 *	7/2014	Gallagher et al.	.....	206/320
D710,859	S *	8/2014	Mecchella et al.	.....	D14/440
8,797,132	B2 *	8/2014	Childs et al.	.....	335/219
D712,413	S *	9/2014	Fukai	.....	D14/440
D720,756	S *	1/2015	Stavarakakis	.....	D14/440
D723,040	S *	2/2015	Kang et al.	.....	D14/440
D723,569	S *	3/2015	Peng	.....	D14/440
D724,090	S *	3/2015	Kim et al.	.....	D14/440
D726,192	S *	4/2015	Massucco et al.	.....	D14/440
D727,332	S *	4/2015	Hirsch	.....	D14/440
D727,916	S *	4/2015	Melmon et al.	.....	D14/440
D727,919	S *	4/2015	Melmon et al.	.....	D14/440
D730,913	S *	6/2015	Shao	.....	D14/440
D733,150	S *	6/2015	Sirichai	.....	D14/440
D733,151	S *	6/2015	Brierley	.....	D14/440
D733,152	S *	6/2015	Sirichai	.....	D14/440
2003/0034263	A1 *	2/2003	D'Hoste	.....	206/320
2008/0302687	A1 *	12/2008	Sirichai et al.	.....	206/320
2009/0159763	A1 *	6/2009	Kim	.....	248/174
2011/0266194	A1 *	11/2011	Bau	.....	206/736
2011/0290687	A1 *	12/2011	Han	.....	206/320
2012/0037523	A1 *	2/2012	Diebel et al.	.....	206/320
2012/0211377	A1 *	8/2012	Sajid	.....	206/216
2012/0211613	A1 *	8/2012	Yang et al.	.....	248/174
2012/0305413	A1 *	12/2012	Chung	.....	206/45.23
2012/0308981	A1 *	12/2012	Libin et al.	.....	434/362
2013/0015088	A1 *	1/2013	Wu	.....	206/320
2013/0020216	A1 *	1/2013	Chiou	.....	206/320
2013/0140203	A1 *	6/2013	Chiang	.....	206/320
2013/0213838	A1 *	8/2013	Tsai et al.	.....	206/320
2013/0214661	A1 *	8/2013	McBroom	.....	312/325
2013/0241381	A1 *	9/2013	Hynecek et al.	.....	312/240
2013/0264459	A1 *	10/2013	McCosh et al.	.....	248/688

\* cited by examiner

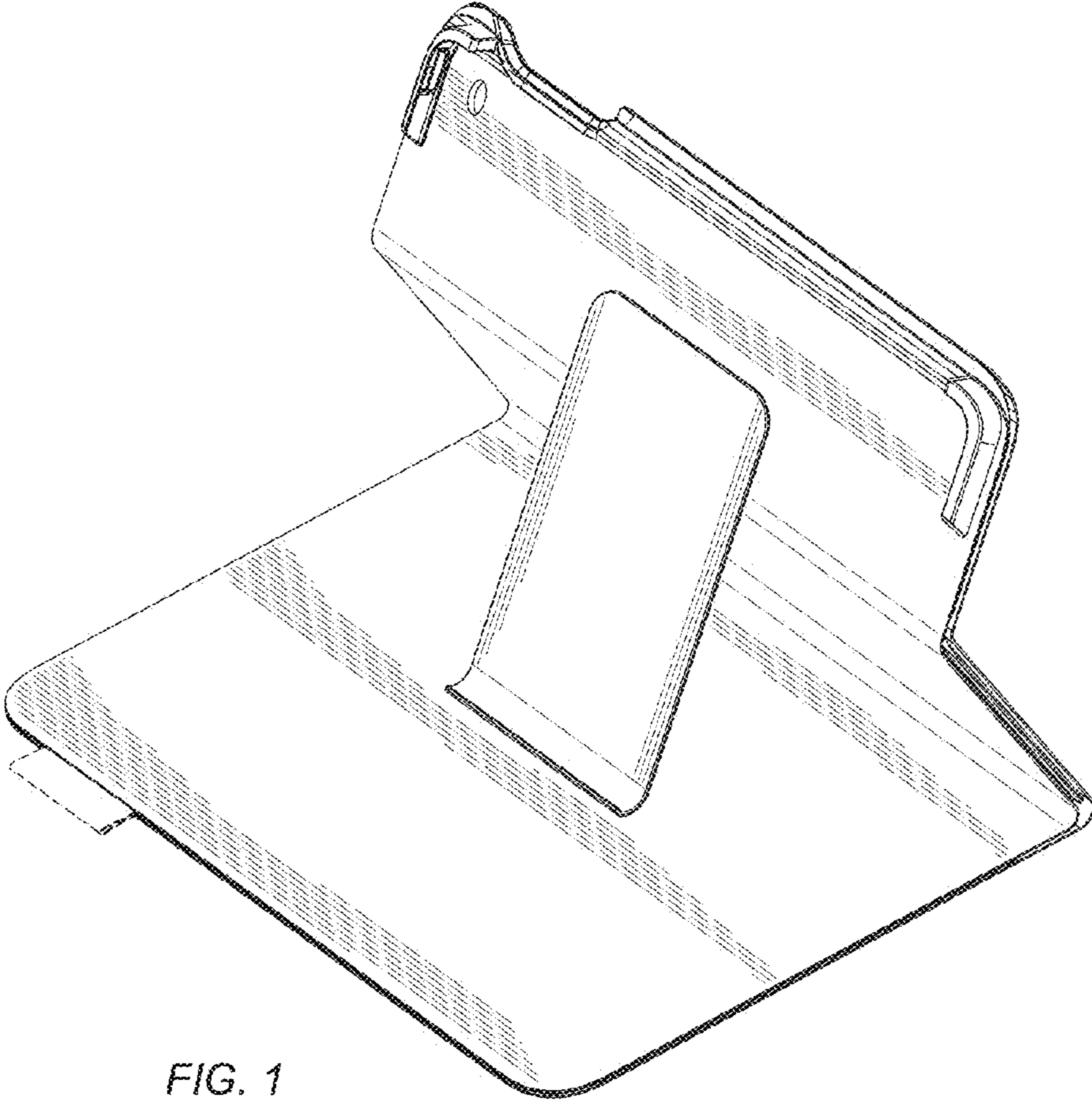


FIG. 1



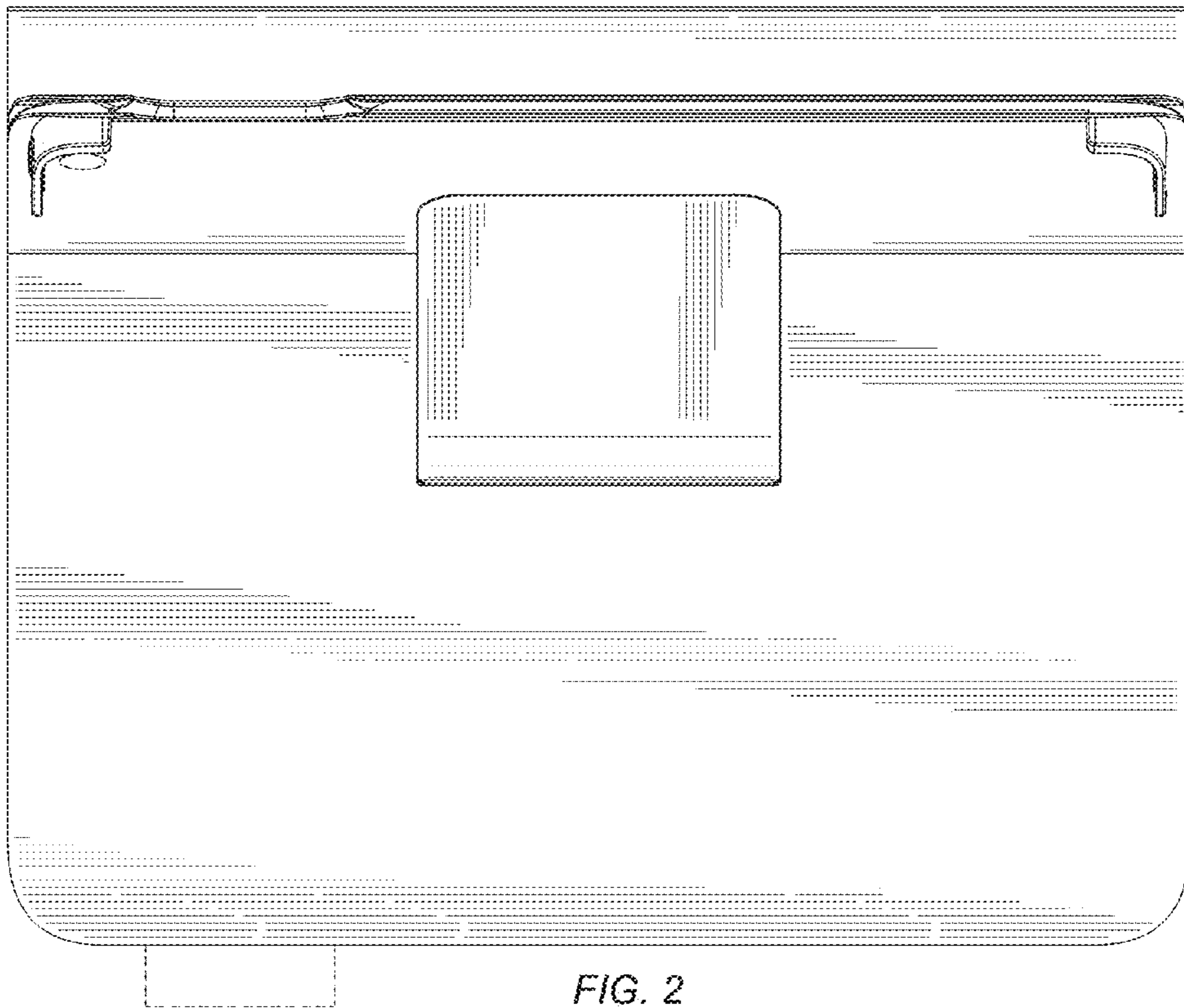




FIG. 3

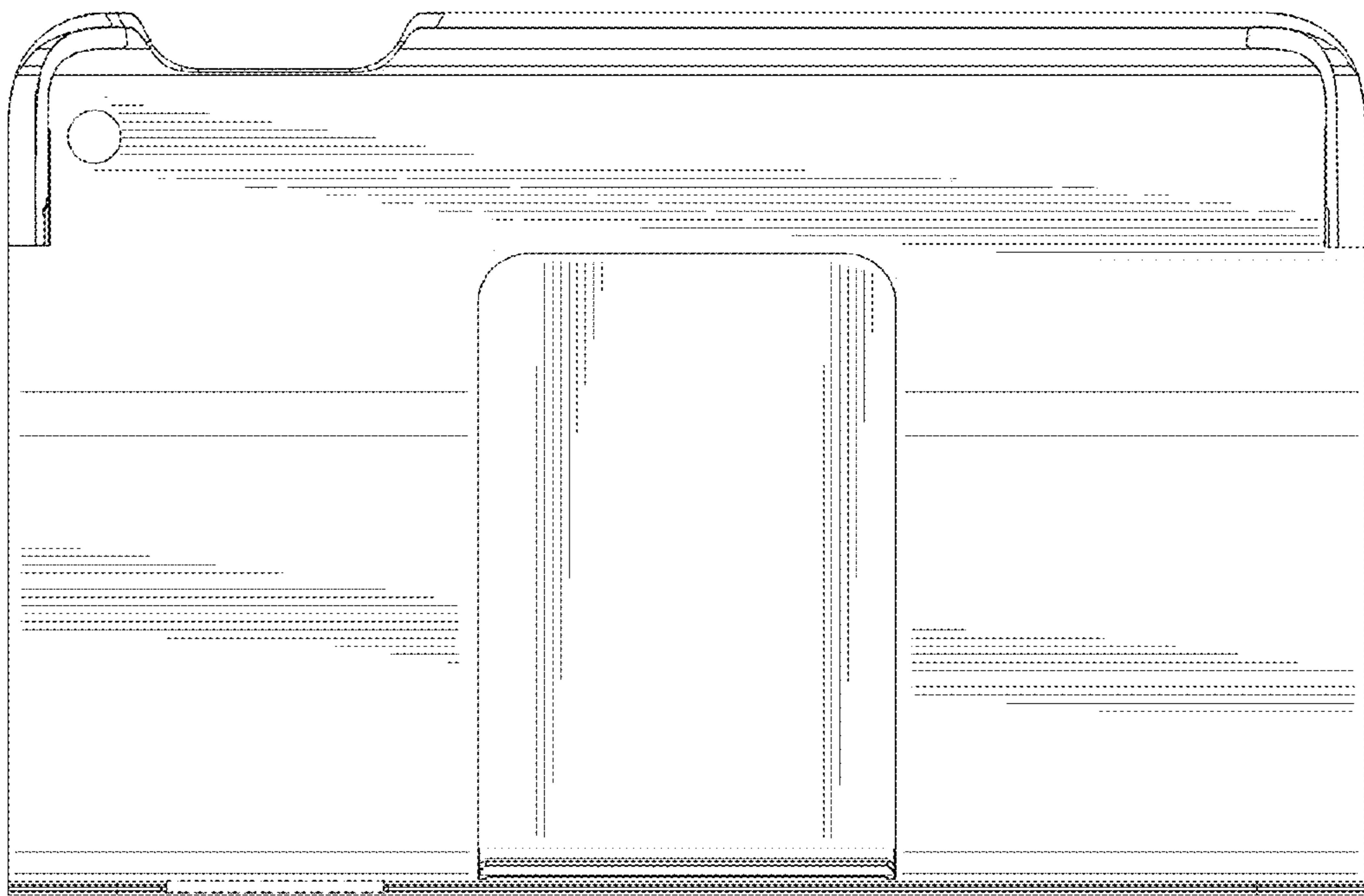


FIG. 4

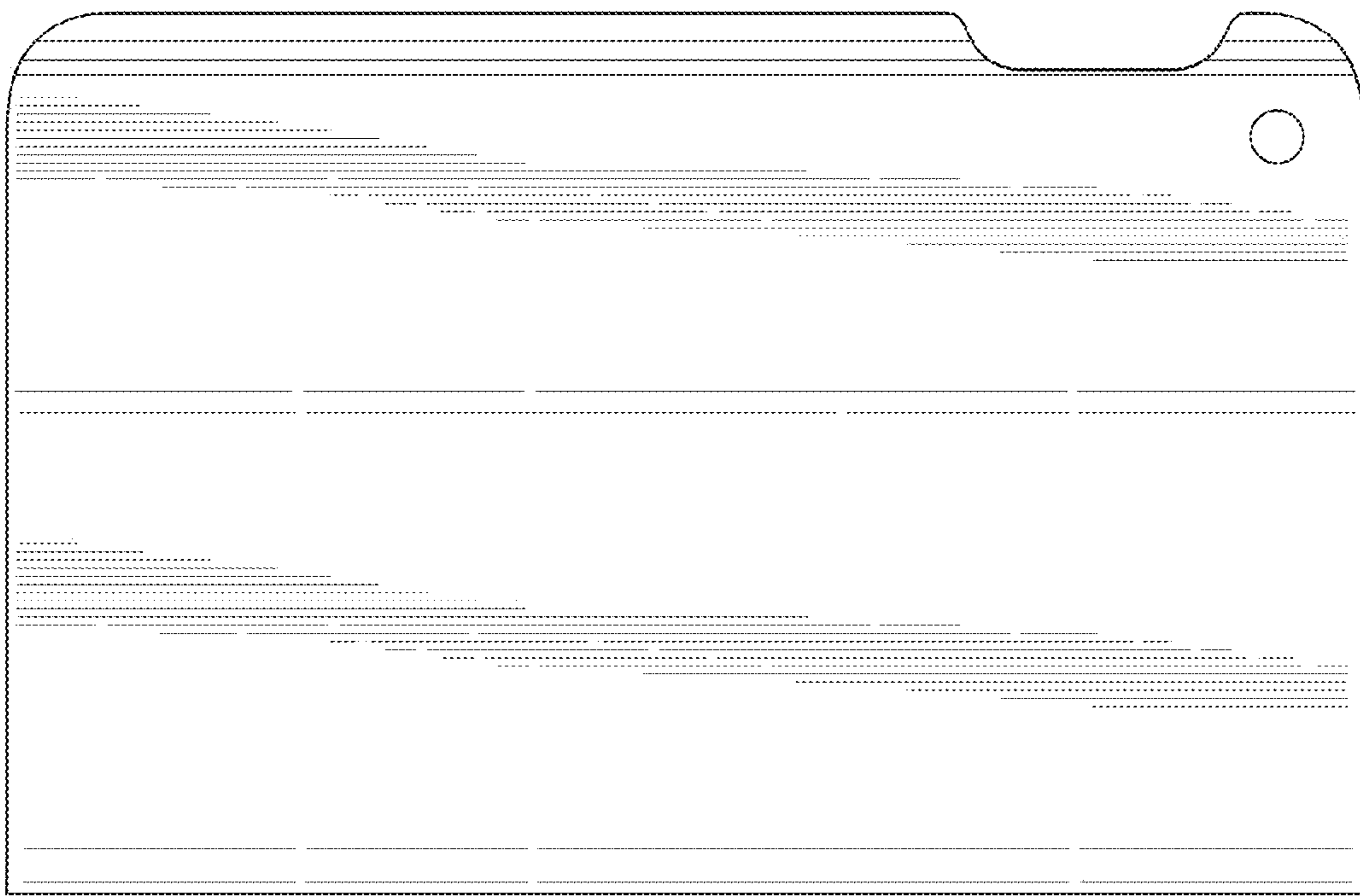


FIG. 5

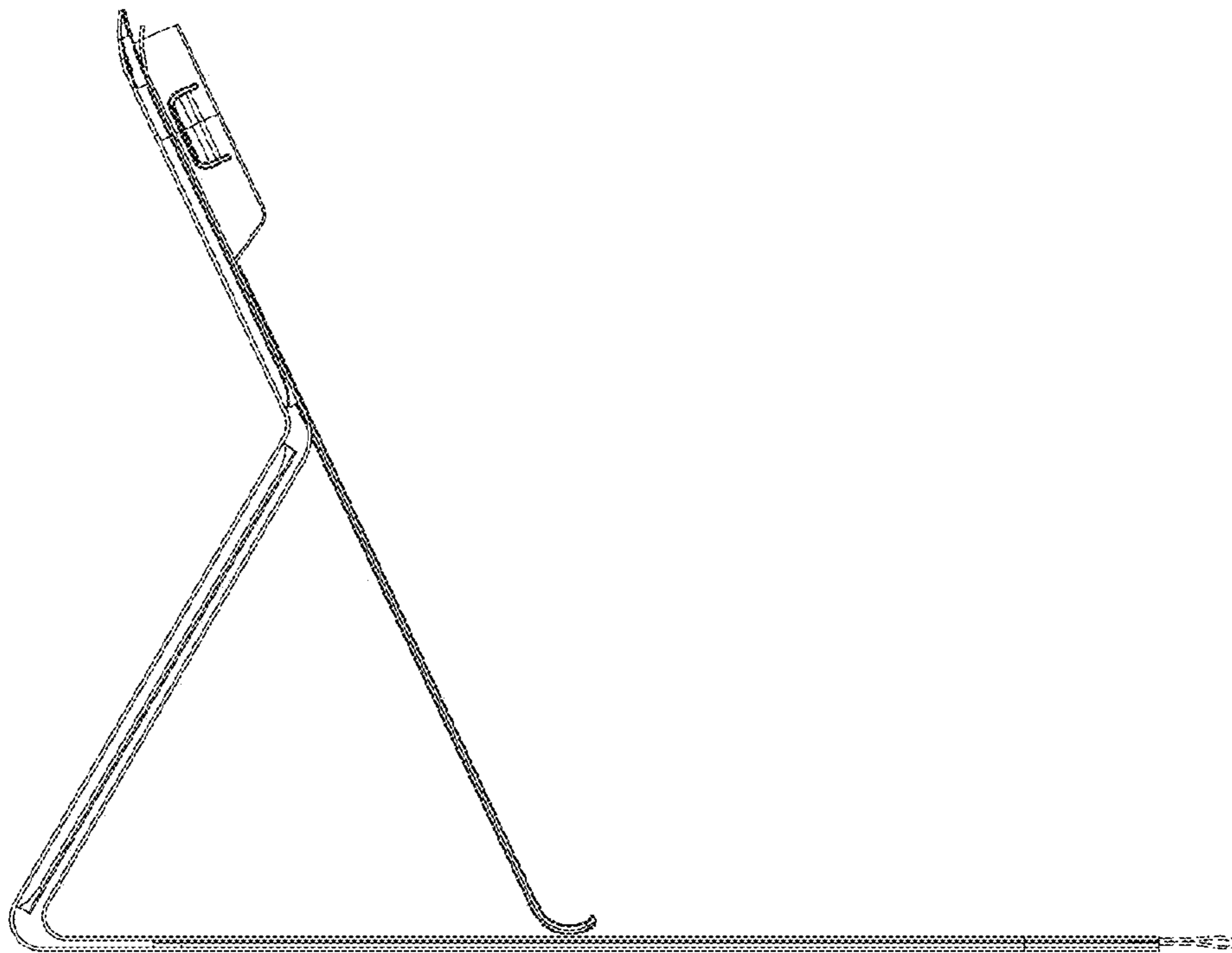


FIG. 6



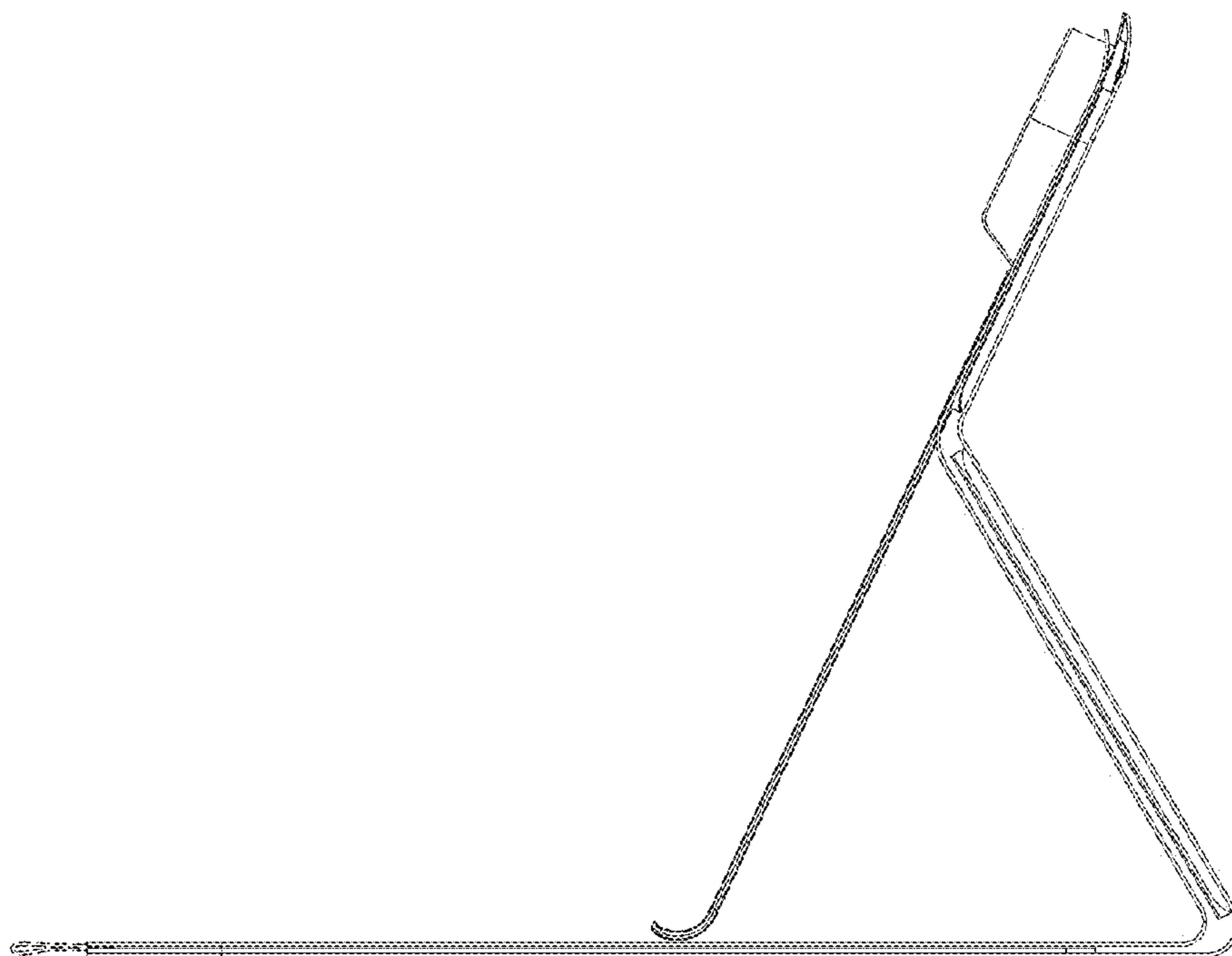


FIG. 7

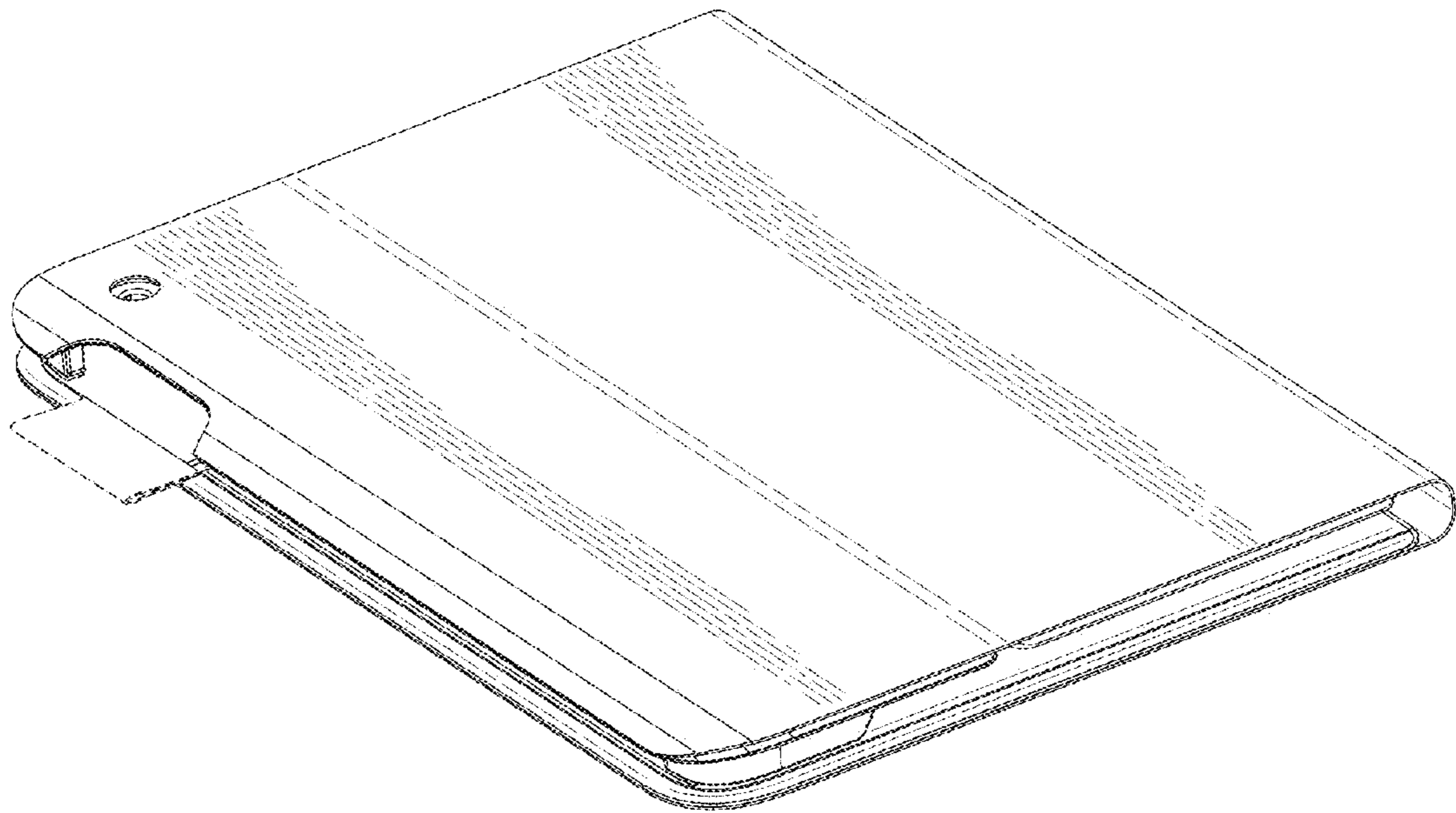


FIG. 8