



US00D744488S

(12) **United States Design Patent**  
**Akana et al.**

(10) **Patent No.:** **US D744,488 S**  
(45) **Date of Patent:** **\*\* Dec. 1, 2015**

(54) **COMPONENT FOR AN ELECTRONIC DEVICE**

(71) Applicant: **Apple Inc.**, Cupertino, CA (US)

(72) Inventors: **Jody Akana**, San Francisco, CA (US); **Bartley K. Andre**, Palo Alto, CA (US); **Shota Aoyagi**, San Francisco, CA (US); **Jeremy Bataillou**, San Francisco, CA (US); **Daniel J. Coster**, San Francisco, CA (US); **Daniele De Iuliis**, San Francisco, CA (US); **M. Evans Hankey**, San Francisco, CA (US); **Julian Hoenig**, San Francisco, CA (US); **Richard P. Howarth**, San Francisco, CA (US); **Jonathan P. Ive**, San Francisco, CA (US); **Duncan Robert Kerr**, San Francisco, CA (US); **Matthew Dean Rohrbach**, San Francisco, CA (US); **Peter Russell-Clarke**, San Francisco, CA (US); **Mikael Silvanto**, San Francisco, CA (US); **Christopher J. Stringer**, Woodside, CA (US); **Eugene Antony Whang**, San Francisco, CA (US); **Rico Zörkendörfer**, San Francisco, CA (US)

(73) Assignee: **Apple Inc.**, Cupertino, CA (US)

(\*\*) Term: **14 Years**

(21) Appl. No.: **29/522,914**

(22) Filed: **Apr. 3, 2015**

**Related U.S. Application Data**

(63) Continuation of application No. 29/457,346, filed on Jun. 9, 2013, now Pat. No. Des. 729,809.

(51) **LOC (10) Cl.** ..... **14-02**

(52) **U.S. Cl.**  
USPC ..... **D14/439**

(58) **Field of Classification Search**  
USPC ..... D14/341–347, 424, 425, 432–453, 464, D14/468, 469, 471, 496, 511, 138 AA,

D14/138 AD, 138 C, 138 G, 203.1–203.8, D14/217, 238.1, 248, 250, 257, 299; 361/679.01, 679.02, 679.03, 679.3, 361/679.55, 679.56; 455/550.1, 556.1, 455/556.2, 575.1, 575.3–575.5, 575.8, 455/90.3; D23/414; 416/185, 67, 208.1; 244/54

CPC ..... F01D 9/042; Y02T 50/672; F05D 2300/6033; G06F 1/206; H05K 7/20836; Y02B 60/1275

See application file for complete search history.

(56) **References Cited**

U.S. PATENT DOCUMENTS

3,305,214 A 2/1967 Kennedy  
D227,012 S 5/1973 Ranz et al.

(Continued)

OTHER PUBLICATIONS

U.S. Appl. No. 29/457,347 of Akana et al., titled “Electronic Device,” filed Jun. 9, 2013.

(Continued)

*Primary Examiner* — Austin Murphy

(74) *Attorney, Agent, or Firm* — Saidman DesignLaw Group, LLC

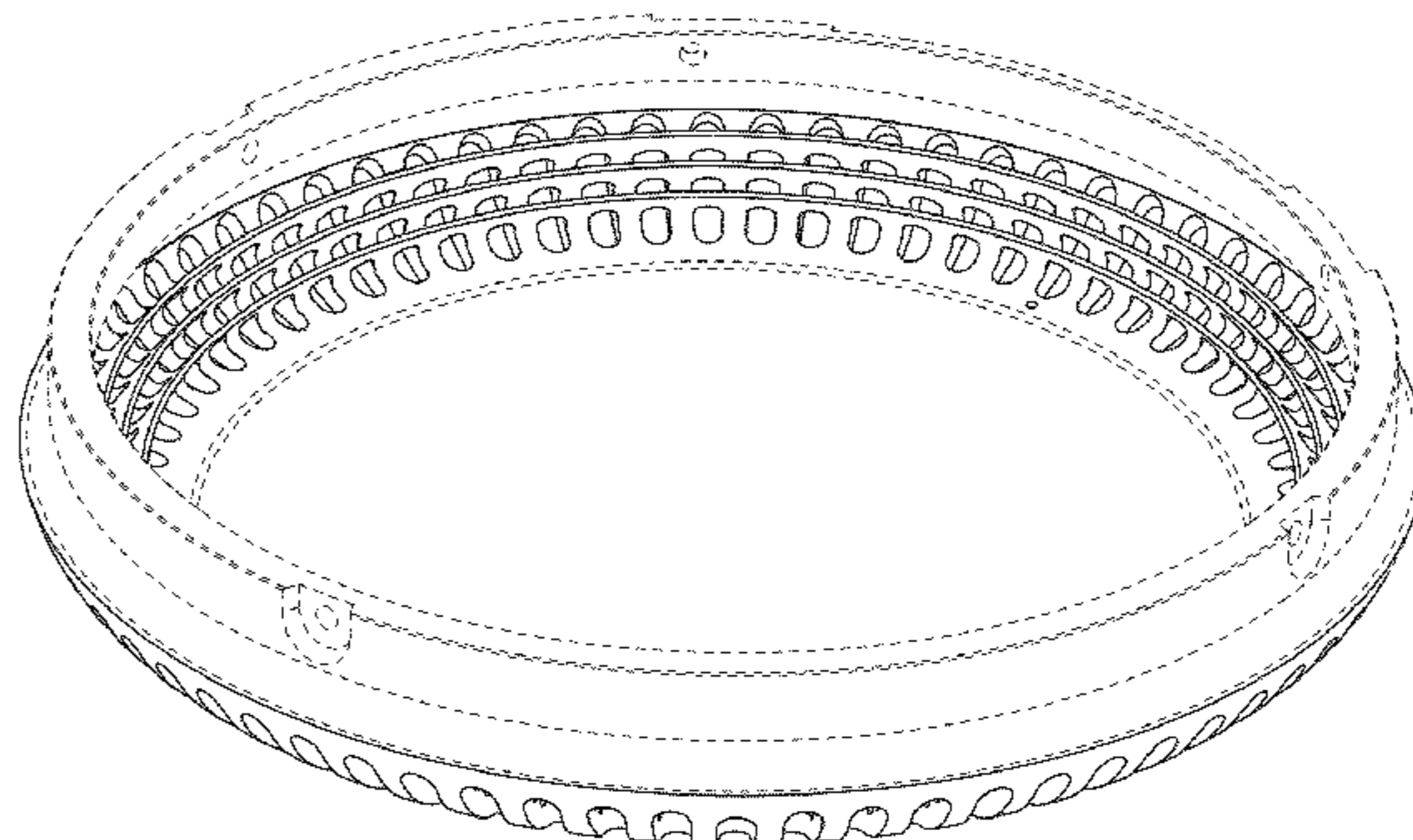
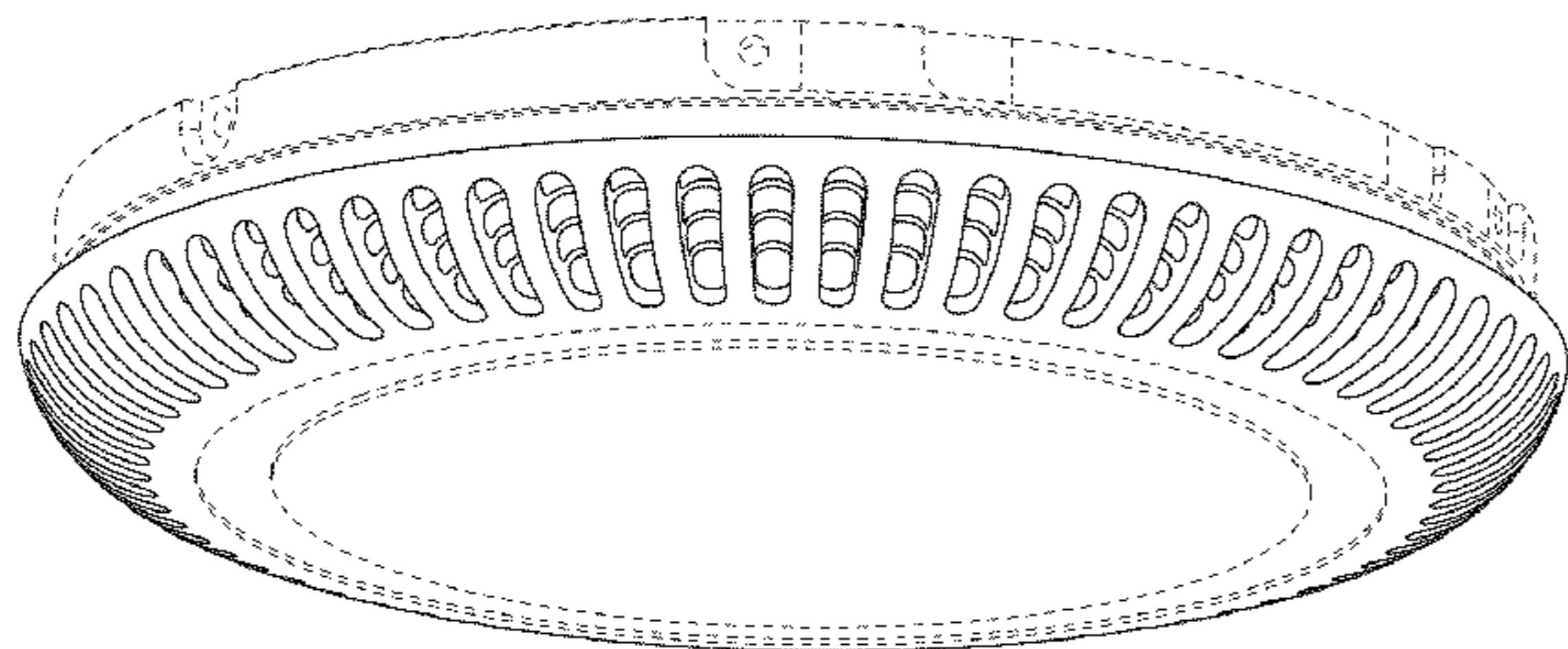
(57) **CLAIM**

The ornamental design for a component for an electronic device, as shown and described.

**DESCRIPTION**

FIG. 1 is a bottom perspective view of a component for an electronic device showing our new design; FIG. 2 is a top perspective view thereof; FIG. 3 is a front view thereof; FIG. 4 is a right side view thereof; FIG. 5 is a rear view thereof; FIG. 6 is a left side view thereof; FIG. 7 is a top view thereof; and, FIG. 8 is a bottom view thereof. The broken lines illustrate environmental structure and form no part of the claimed design.

**1 Claim, 5 Drawing Sheets**



(56)

References Cited

U.S. PATENT DOCUMENTS

D227,897 S 7/1973 Lubkin  
 D289,757 S 5/1987 House  
 D304,230 S 10/1989 Wang  
 D345,217 S 3/1994 Pearlson  
 5,663,746 A 9/1997 Pellenberg et al.  
 D391,943 S 3/1998 Han  
 D391,944 S 3/1998 Han  
 D393,247 S 4/1998 Cheng  
 D409,585 S 5/1999 Fenner et al.  
 D438,950 S 3/2001 Frampton  
 D451,595 S \* 12/2001 Chen et al. .... D23/412  
 D456,807 S 5/2002 Floyd  
 D464,347 S 10/2002 Floyd  
 D471,189 S 3/2003 Bradley et al.  
 D481,392 S \* 10/2003 Dyer et al. .... D14/433  
 D483,108 S \* 12/2003 Frampton .... D23/411  
 D491,937 S 6/2004 Retourne et al.  
 D496,038 S 9/2004 Floyd  
 D505,426 S 5/2005 Lin  
 D507,789 S 7/2005 Mangano  
 D509,825 S 9/2005 Chen  
 7,108,482 B2 9/2006 Chapman  
 D530,006 S 10/2006 Li et al.  
 7,151,672 B2 12/2006 Campbell  
 D555,524 S 11/2007 Jacobsen et al.

D577,719 S 9/2008 Kobeli et al.  
 D581,927 S 12/2008 Sumii  
 D589,013 S 3/2009 Pozin et al.  
 D590,391 S 4/2009 Sumii  
 D590,788 S 4/2009 Pozin et al.  
 D598,018 S 8/2009 Sumii  
 D600,694 S 9/2009 Sumii  
 7,905,448 B2 3/2011 Sjunnesson et al.  
 D663,411 S 7/2012 Naya et al.  
 D682,411 S 5/2013 Cocks et al.  
 8,488,307 B2 7/2013 Cheng et al.  
 D694,746 S 12/2013 Akana et al.  
 D701,597 S 3/2014 DeFilippis  
 D717,341 S 11/2014 Akana et al.  
 D717,342 S 11/2014 Berk et al.  
 D729,809 S \* 5/2015 Akana et al. .... D14/439  
 2007/0009353 A1 \* 1/2007 Huang et al. .... 415/206  
 2012/0189451 A1 \* 7/2012 Innocenti et al. .... 416/189  
 2012/0213633 A1 \* 8/2012 Samuelsson et al. .... 415/208.1  
 2013/0039001 A1 2/2013 Jau et al.  
 2013/0149130 A1 \* 6/2013 Hasting et al. .... 415/208.1

OTHER PUBLICATIONS

U.S. Appl. No. 29/457,346 of Akana et al., titled "Component for an Electronic Device," filed Jun. 9, 2013.

\* cited by examiner

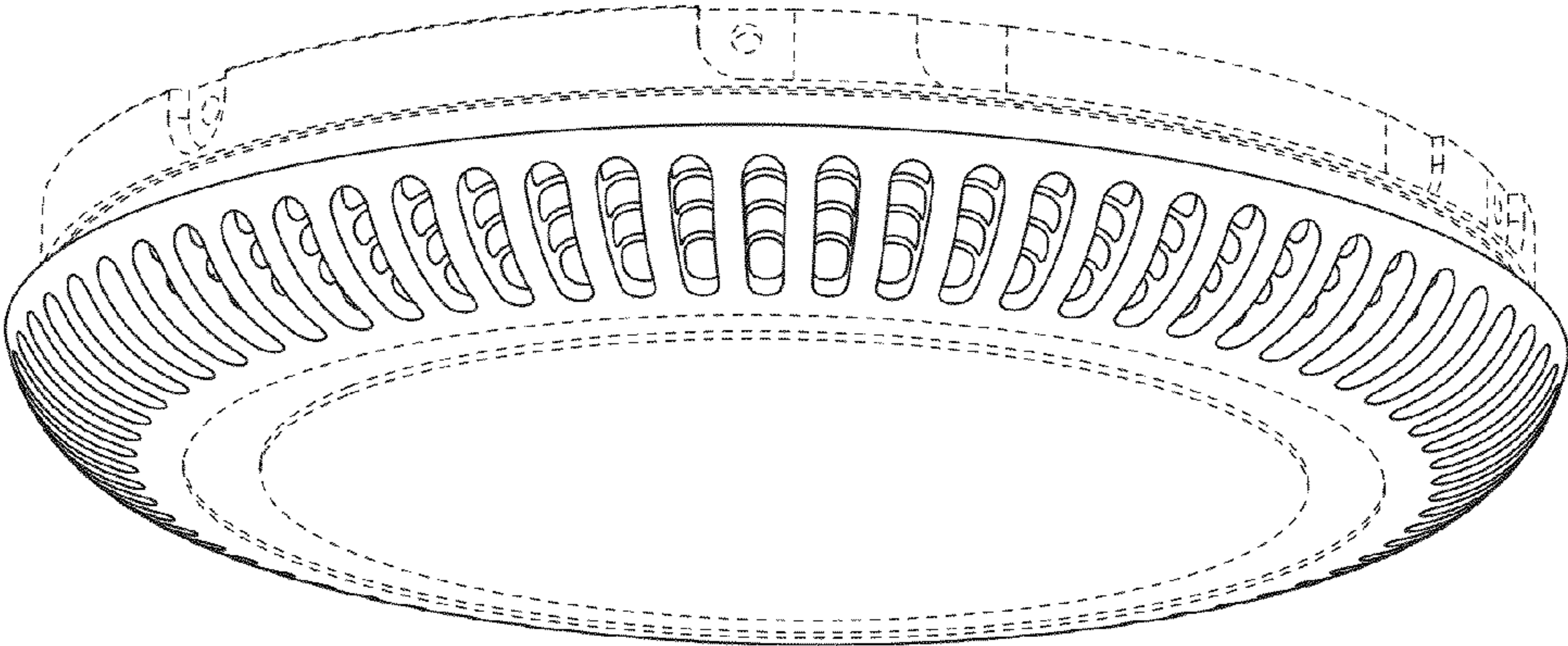


FIG. 1

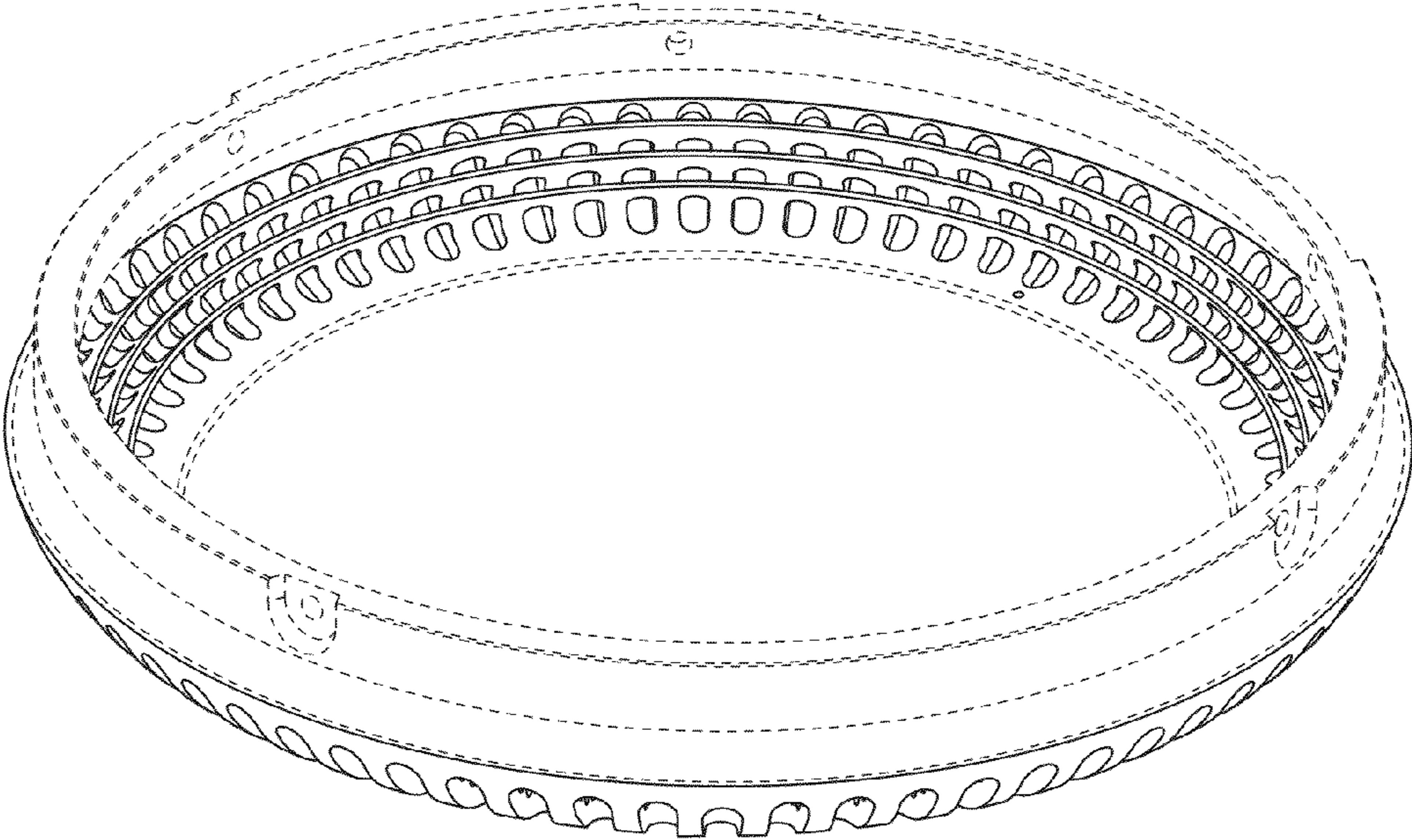


FIG. 2

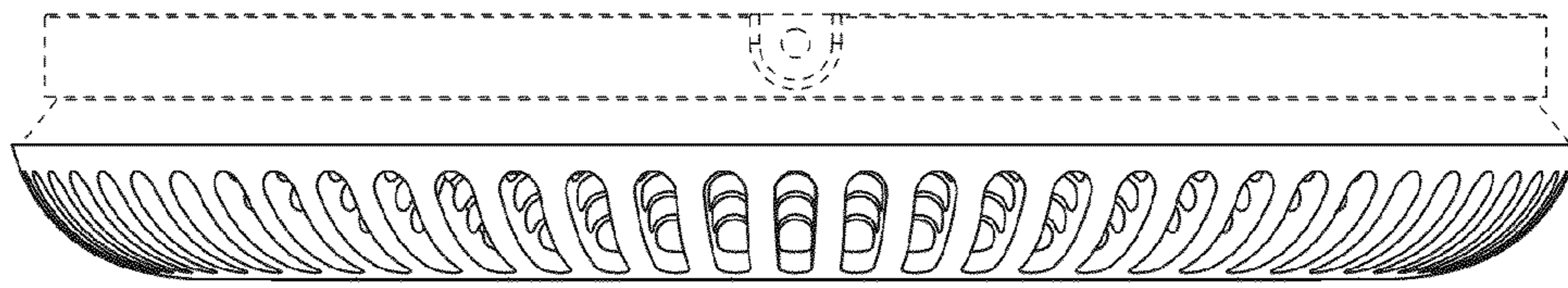


FIG. 3

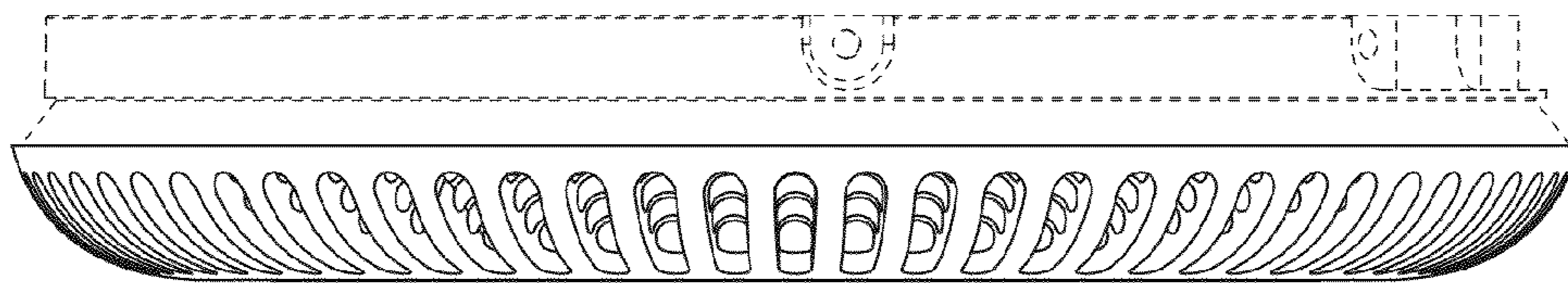


FIG. 4

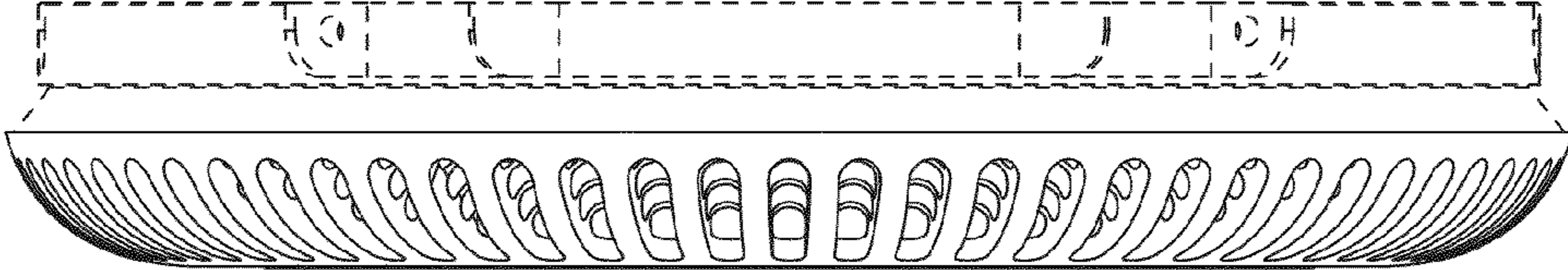


FIG. 5

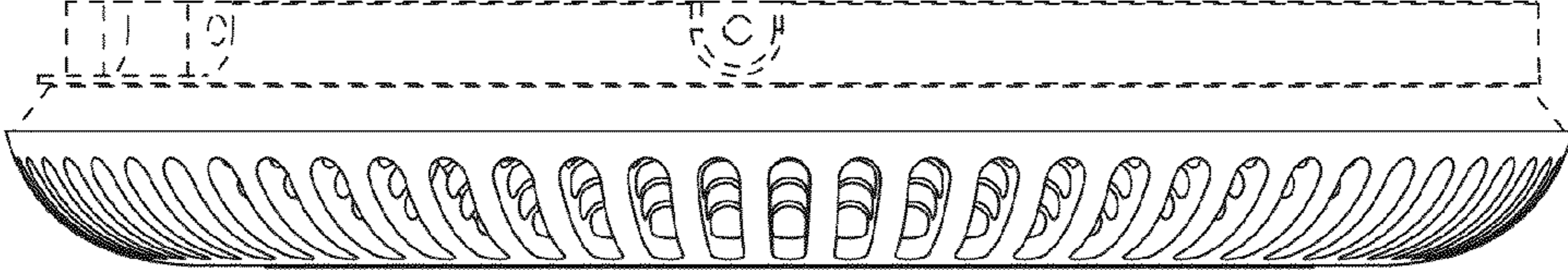


FIG. 6

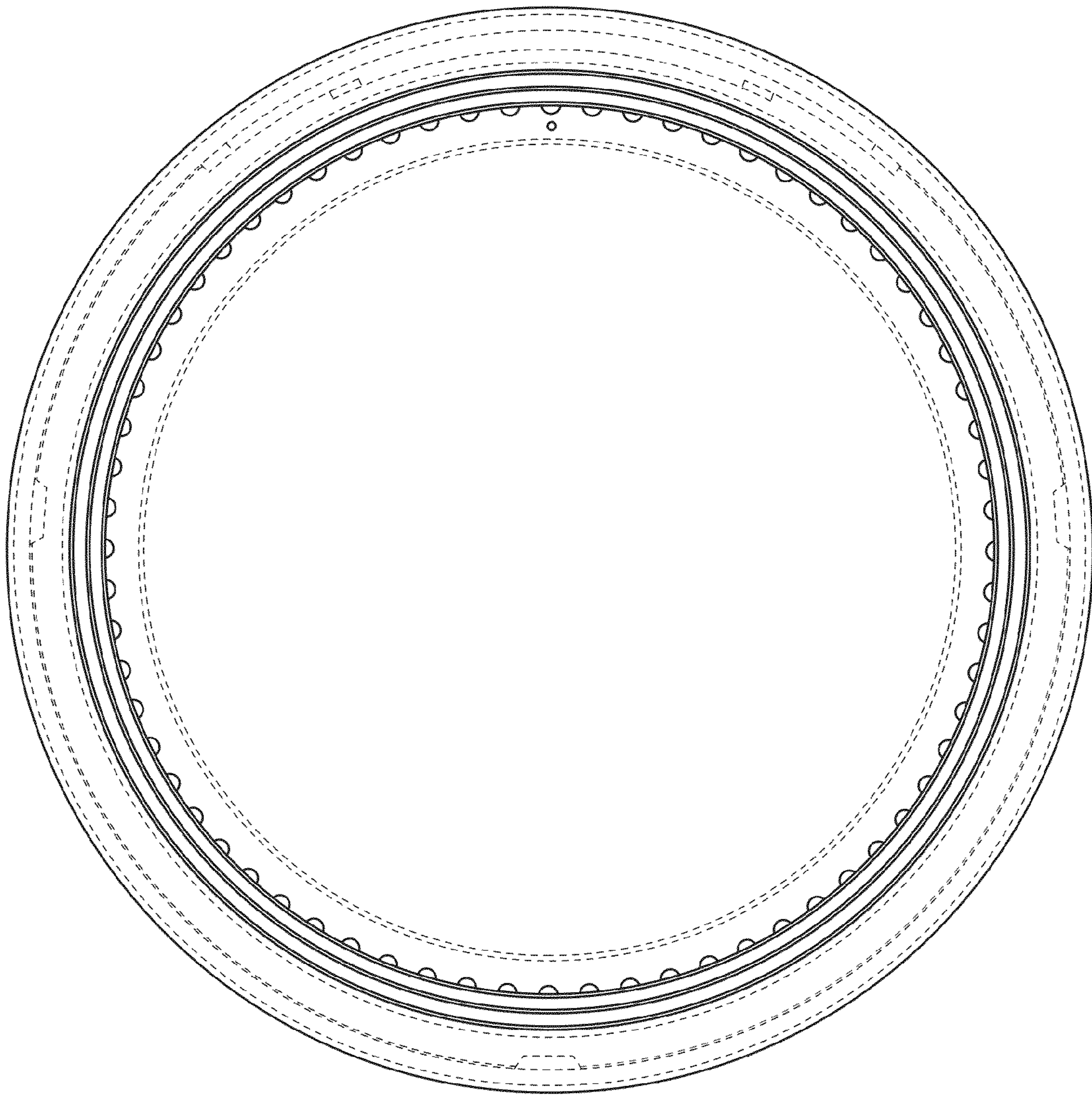


FIG. 7

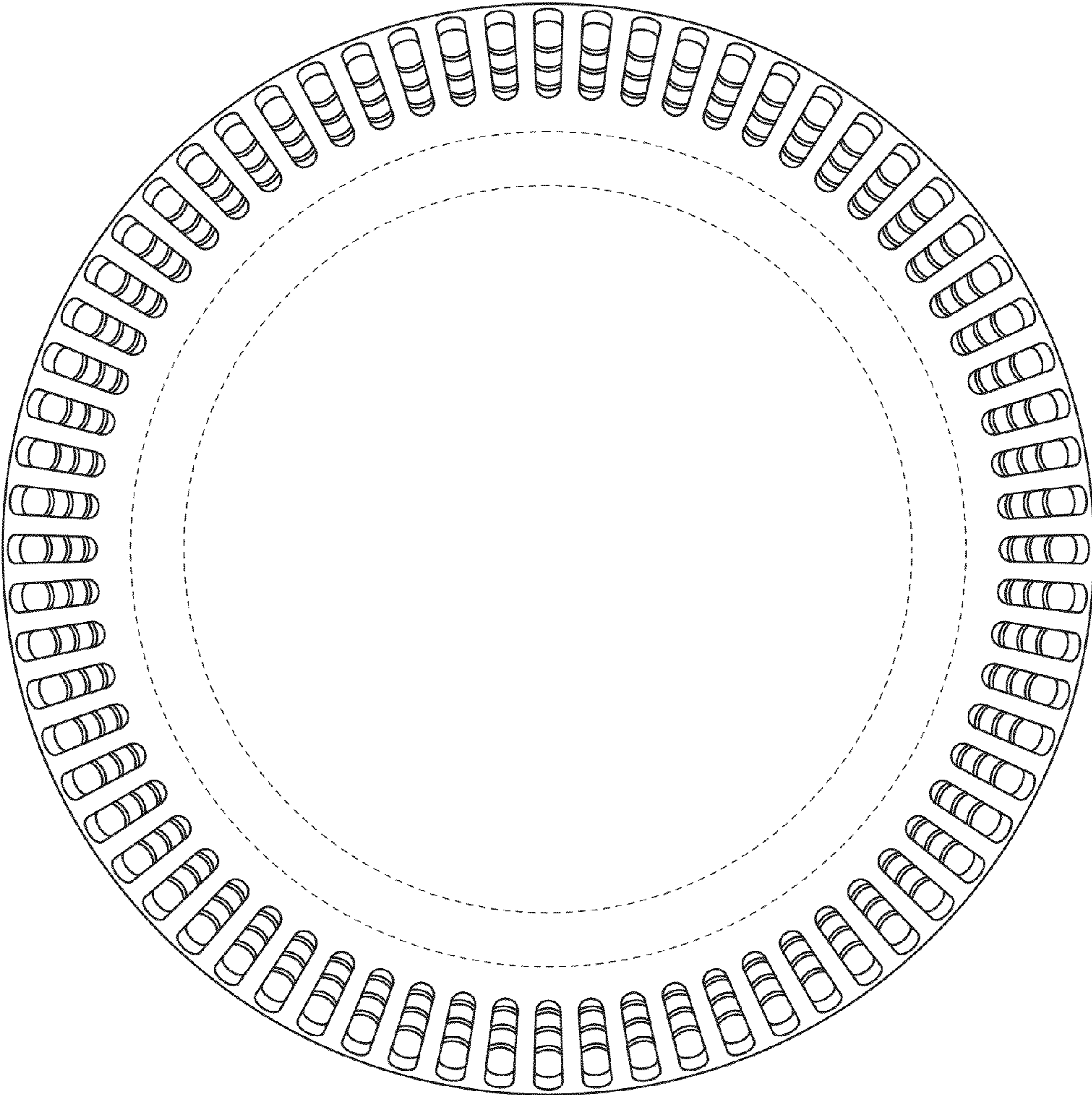


FIG. 8