



US00D744483S

(12) **United States Design Patent**
Barbu et al.

(10) **Patent No.:** **US D744,483 S**
(45) **Date of Patent:** **** Dec. 1, 2015**

(54) **NETWORK DEVICE**

(71) Applicant: **Bitdefender IPR Management Ltd.**,
Nicosia (CY)
(72) Inventors: **Andrei Barbu**, Vaslui (RO); **Dan R. Berte**, Cluj-Napoca (RO); **Bogdan C. Dumitru**, Bucharest (RO); **Alexandru V. Veja**, Cluj-Napoca (RO)
(73) Assignee: **Bitdefender IPR Management Ltd.**,
Nicosia (CY)

(**) Term: **14 Years**
(21) Appl. No.: **29/502,455**

(22) Filed: **Sep. 16, 2014**
(51) **LOC (10) Cl.** **14-02**
(52) **U.S. Cl.**
USPC **D14/358**

(58) **Field of Classification Search**
USPC D14/300–302, 314, 348–370, 383–385,
D14/435, 496, 125, 135, 155, 240–242,
D14/299; D3/273; D9/432, 434; D10/65,
D10/75, 78; D13/103, 119, 162, 184, 199
CPC .. G11B 33/027; G11B 33/122; G11B 33/124;
G11B 33/022; G11B 33/025

See application file for complete search history.

(56) **References Cited**

U.S. PATENT DOCUMENTS

D417,842 S * 12/1999 Williams et al. D9/416
D648,270 S * 11/2011 Jiang D13/103
D657,784 S * 4/2012 Akana et al. D14/314

OTHER PUBLICATIONS

Barbu, U.S. Appl. No. 29/485,389, filed Mar. 18, 2014.
Barbu, U.S. Appl. No. 29/485,390, filed Mar. 18, 2014.
Veja, U.S. Appl. No. 29/494,707, filed Jun. 24, 2014.

* cited by examiner

Primary Examiner — Karen E Kearney
Assistant Examiner — Nathaniel D Buckner

(74) *Attorney, Agent, or Firm* — Law Office of Andrei D Popovici, PC

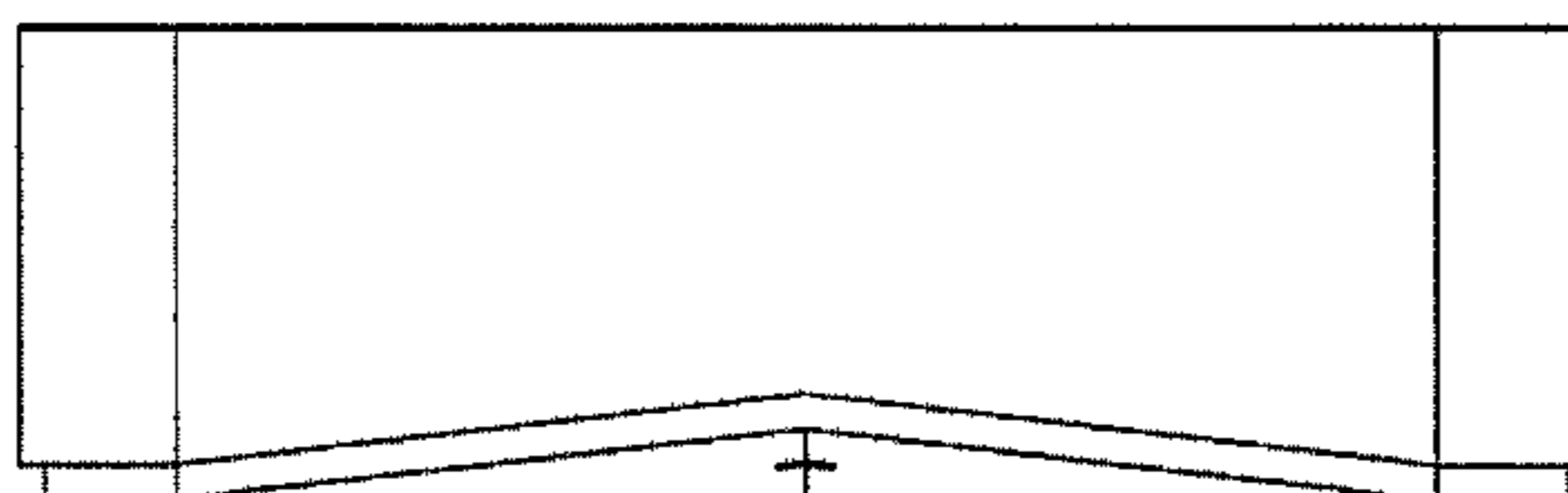
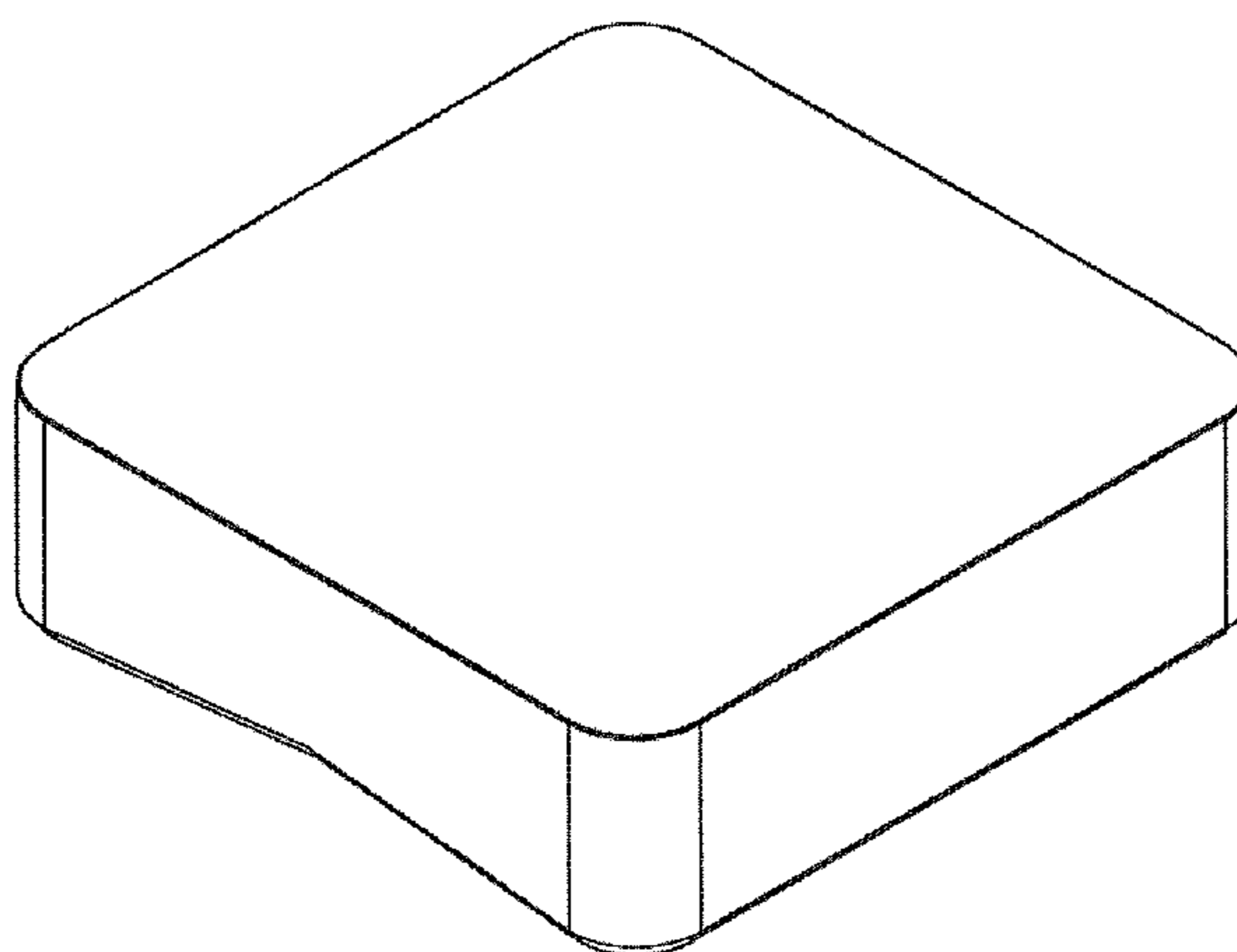
(57) **CLAIM**

What is claimed is the ornamental design for a network device, as shown.

DESCRIPTION

FIG. 1 shows a front isometric view of a network device showing our new design;
FIG. 2 shows a bottom plan view thereof;
FIG. 3 shows a top plan view thereof;
FIG. 4 shows a rear elevation view thereof;
FIG. 5 shows a front elevation view thereof
FIG. 6 shows a left side elevation view thereof; and,
FIG. 7 shows a right side elevation view thereof.

1 Claim, 4 Drawing Sheets



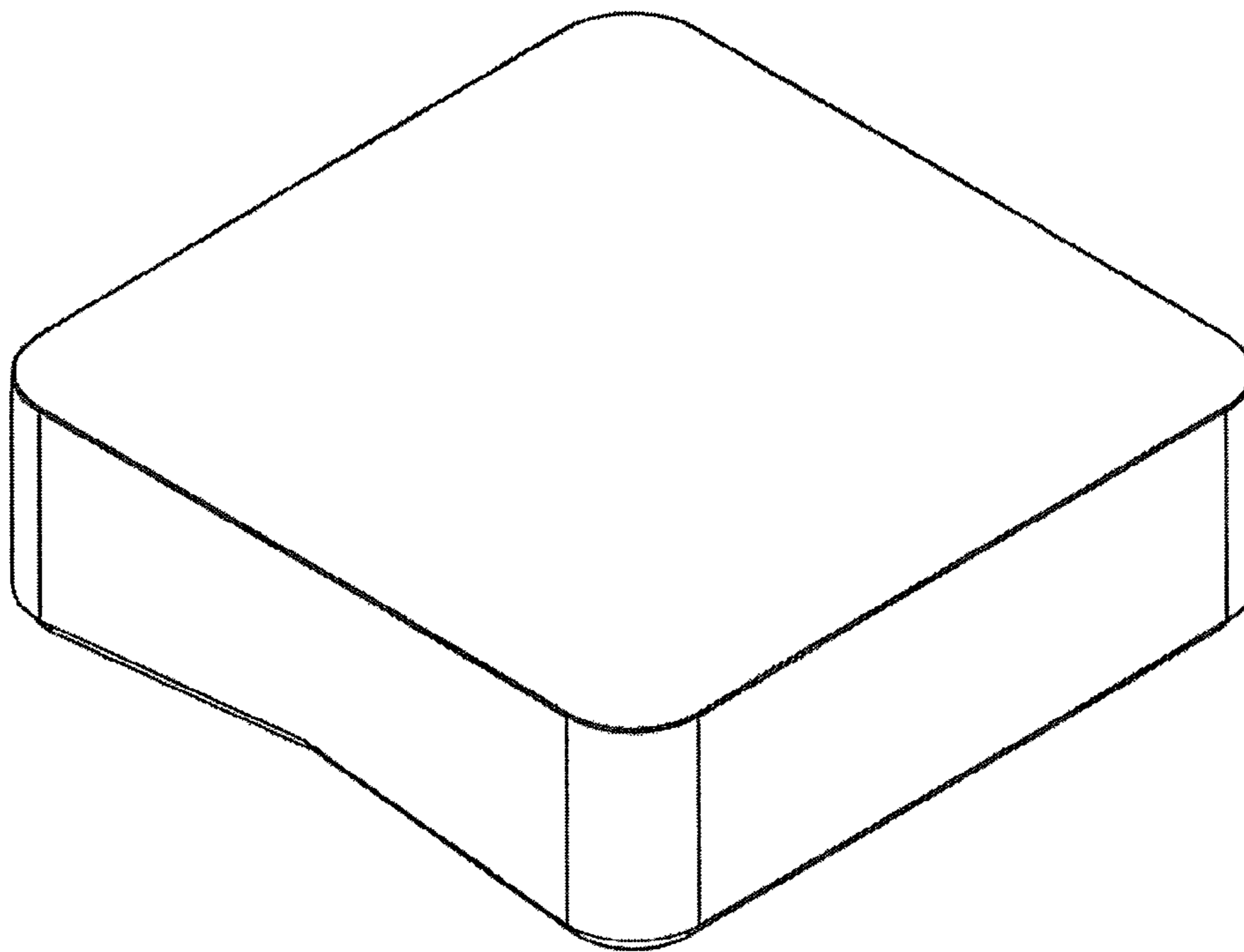


FIG. 1

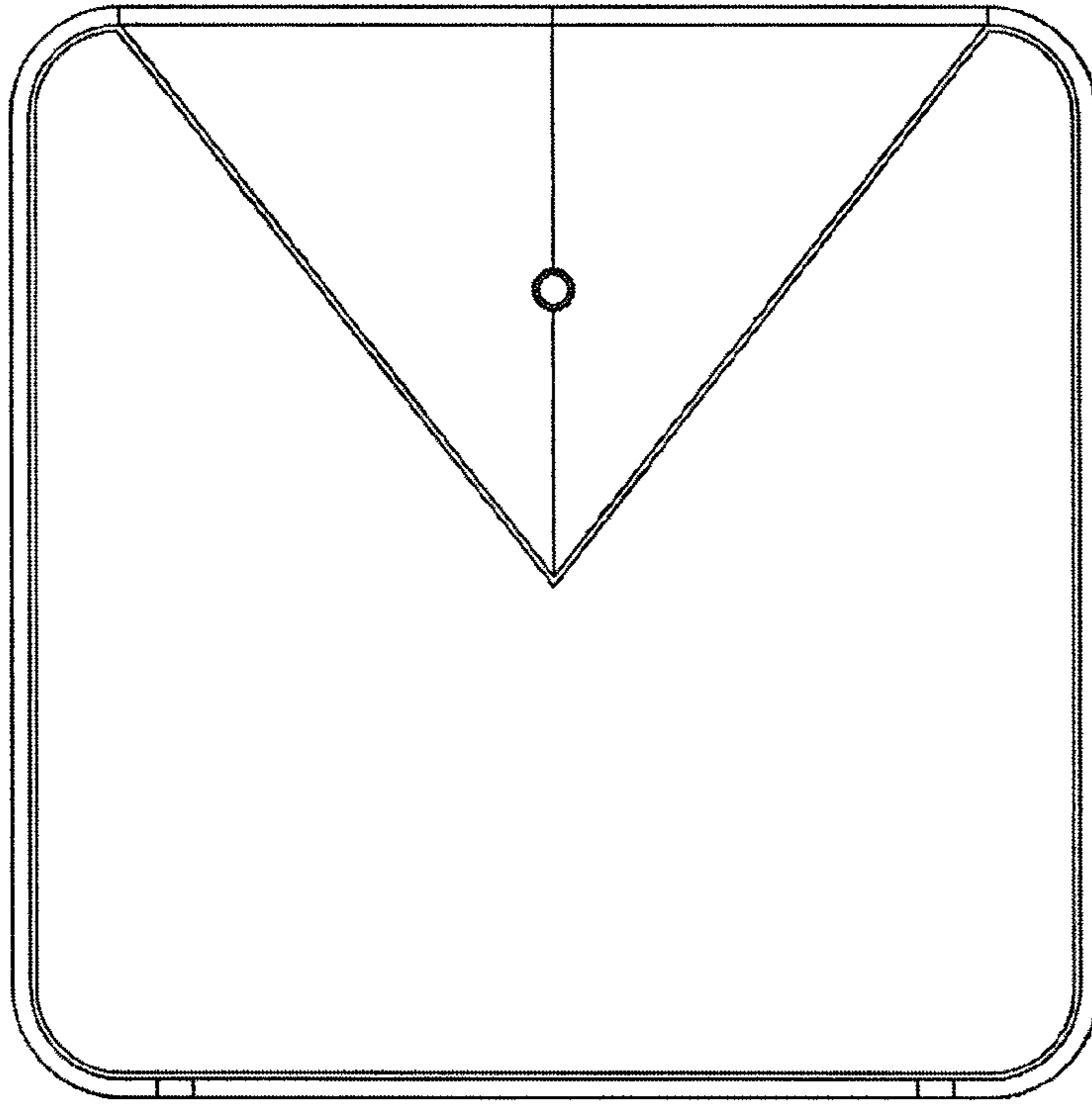


FIG. 2

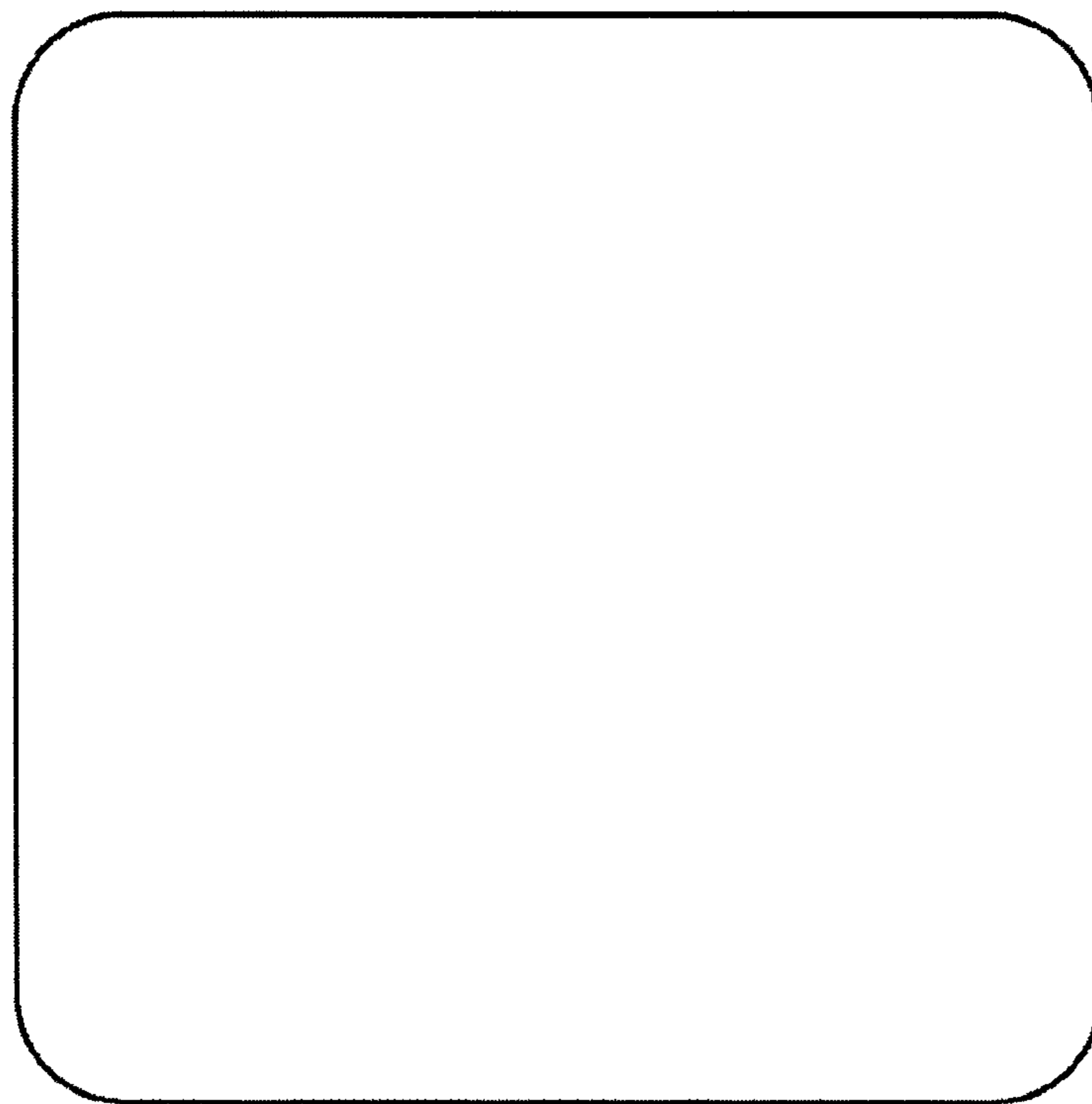


FIG. 3

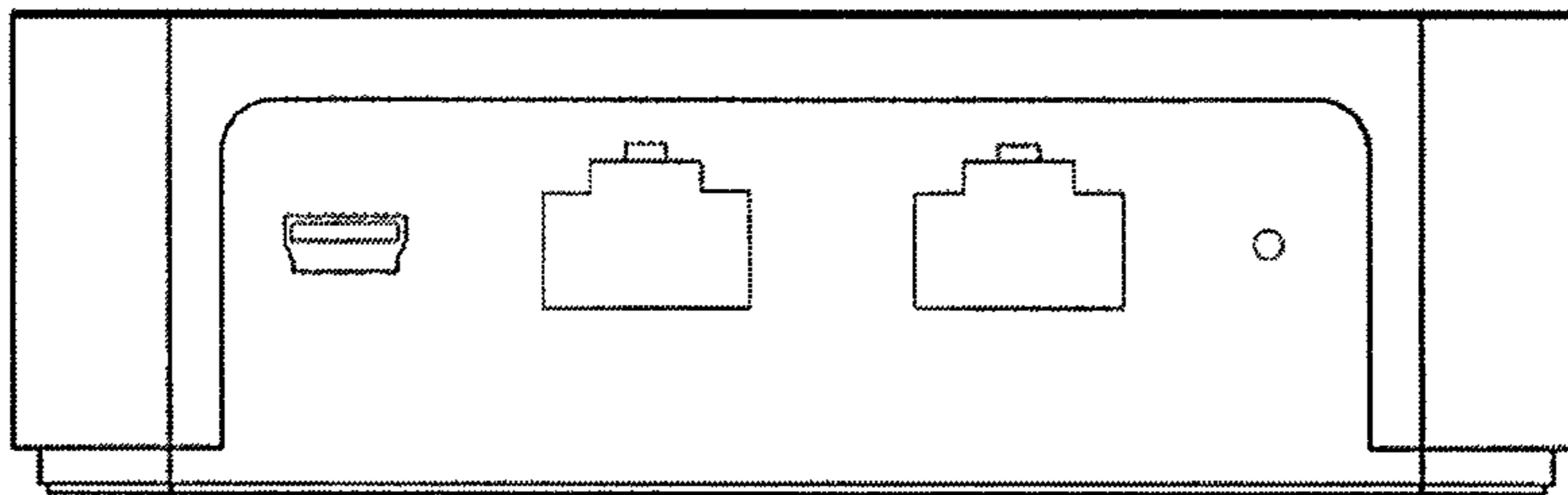


FIG. 4

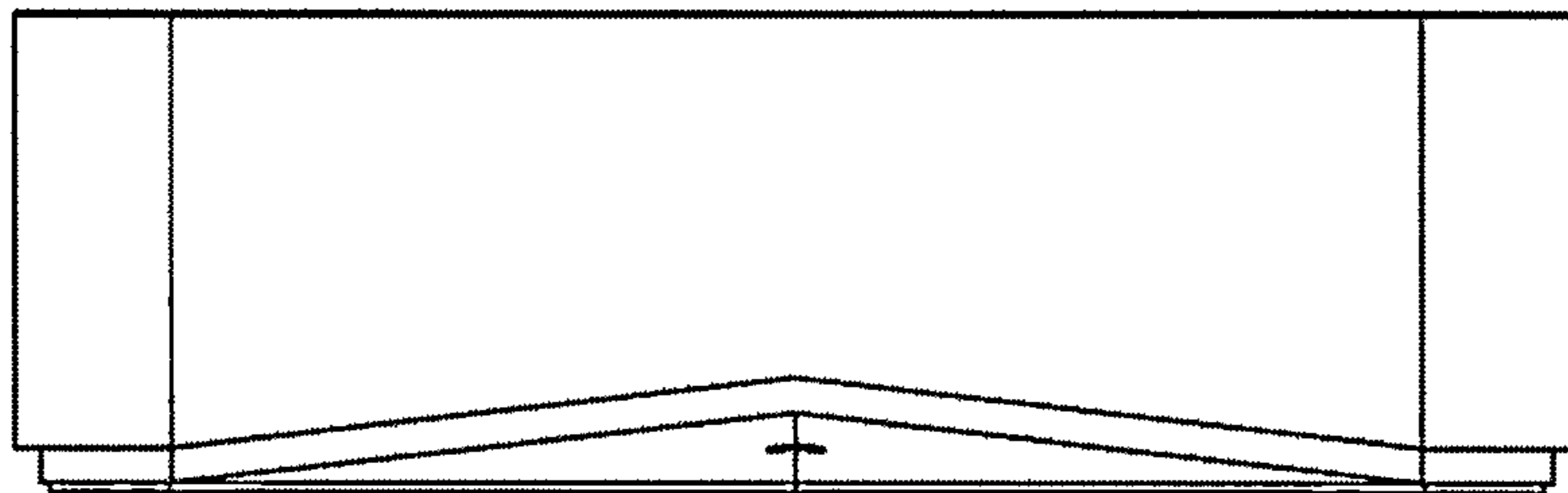


FIG. 5

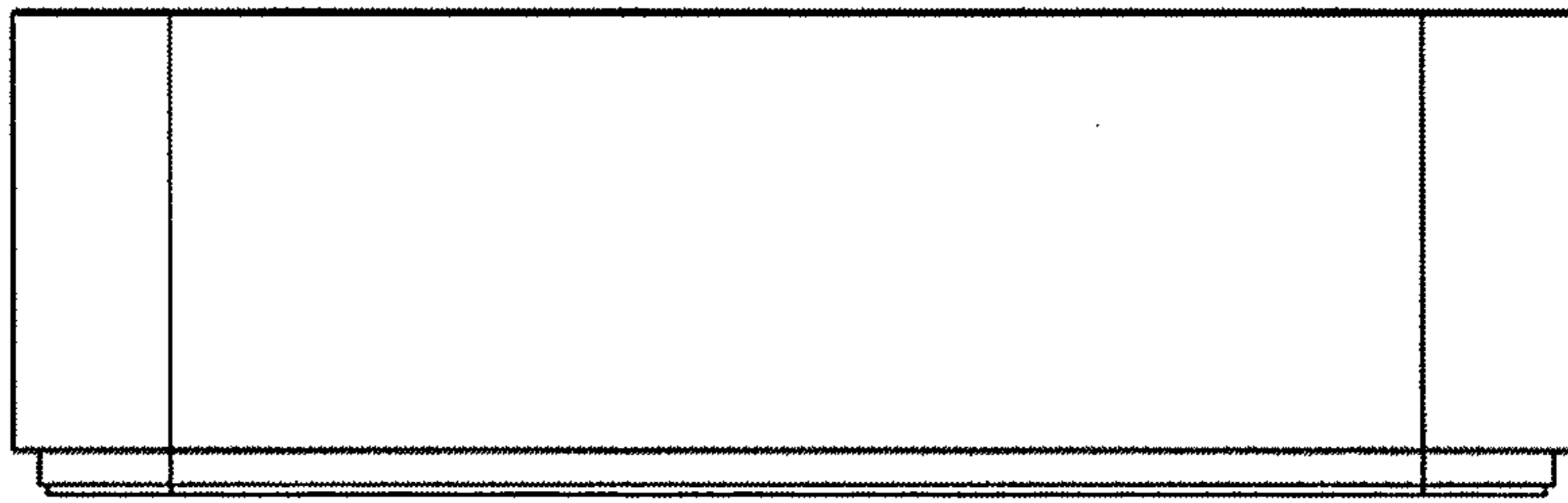


FIG. 6

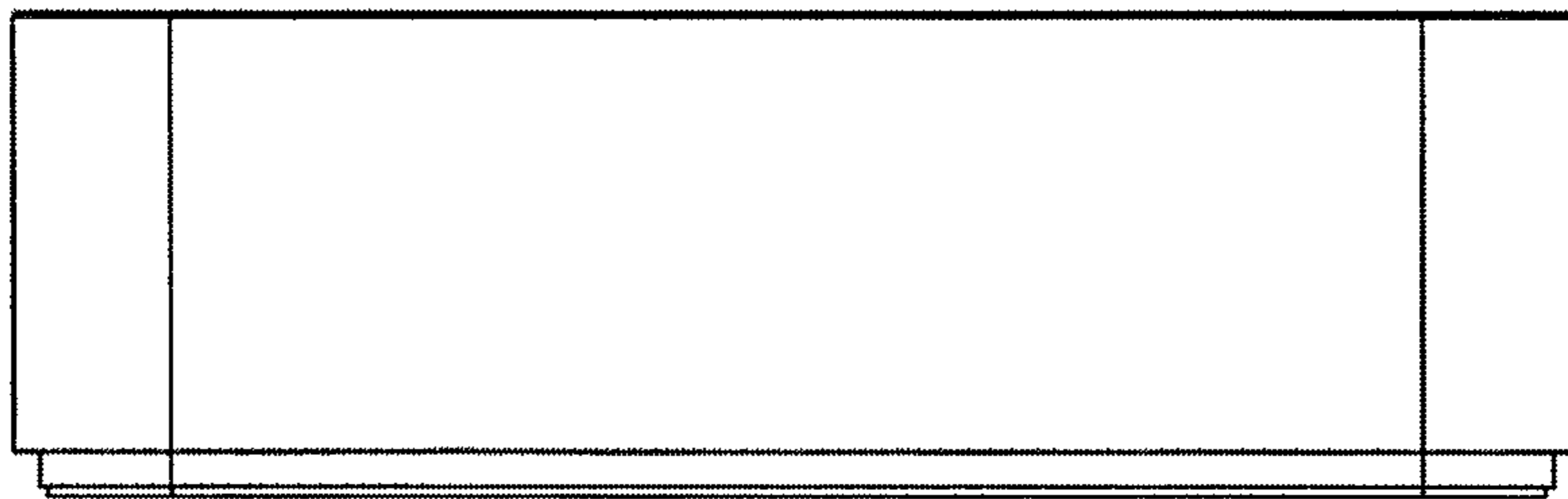


FIG. 7