



US00D744482S

(12) **United States Design Patent**
Davis

(10) **Patent No.:** **US D744,482 S**
(45) **Date of Patent:** **** Dec. 1, 2015**

(54) **PORTABLE DATA COLLECTOR**

(71) Applicant: **Videx, Inc.**, Corvallis, OR (US)

(72) Inventor: **Paul R. Davis**, Corvallis, OR (US)

(73) Assignee: **Videx, Inc.**, Corvallis, OR (US)

(**) Term: **14 Years**

(21) Appl. No.: **29/509,241**

(22) Filed: **Nov. 14, 2014**

(51) **LOC (10) Cl.** **14-02**

(52) **U.S. Cl.**
USPC **D14/341**; D14/426

(58) **Field of Classification Search**
USPC D14/341, 426
CPC A61B 2560/0271; A61B 2560/0431;
G06Q 10/10; G06Q 20/30; G06Q 20/305;
G06Q 20/32; G06Q 20/322; G06Q 20/3221;
G06Q 20/3223; G06Q 20/3224; G06Q
20/3226; G06Q 20/3227; G06Q 20/3229;
G06Q 20/325; G06Q 20/3255
See application file for complete search history.

(56) **References Cited**

U.S. PATENT DOCUMENTS

4,279,021 A * 7/1981 See et al. 708/131
5,793,967 A * 8/1998 Simciak et al. 709/204

D682,245 S * 5/2013 Harmon et al. D14/138 G
D684,071 S * 6/2013 Greenwood et al. D10/70
D720,346 S * 12/2014 Davis D14/341
2009/0024359 A1 * 1/2009 Bibelhausen et al. 702/188

* cited by examiner

Primary Examiner — Antoine D Davis

(74) *Attorney, Agent, or Firm* — Matthew D. Eskue

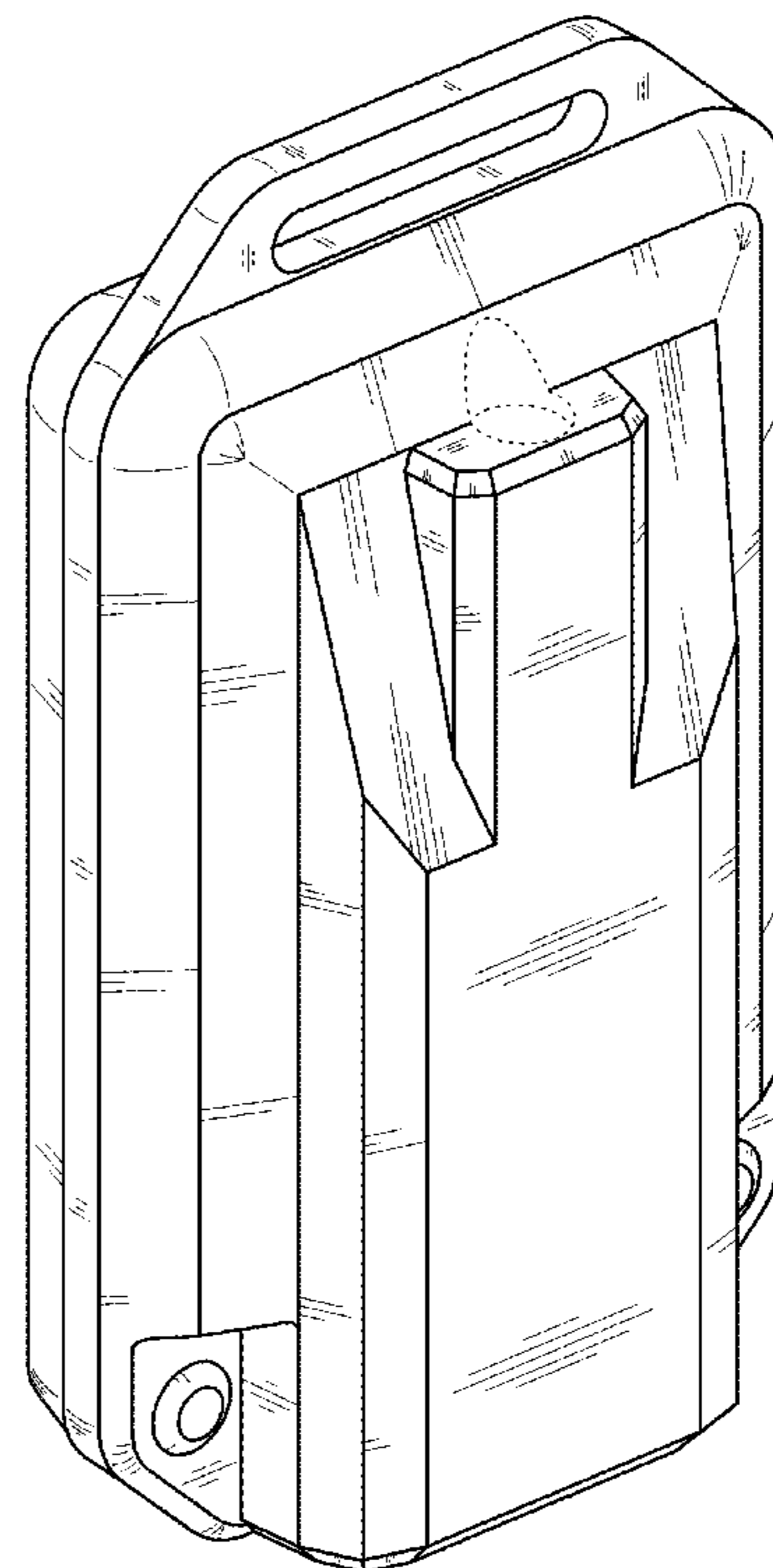
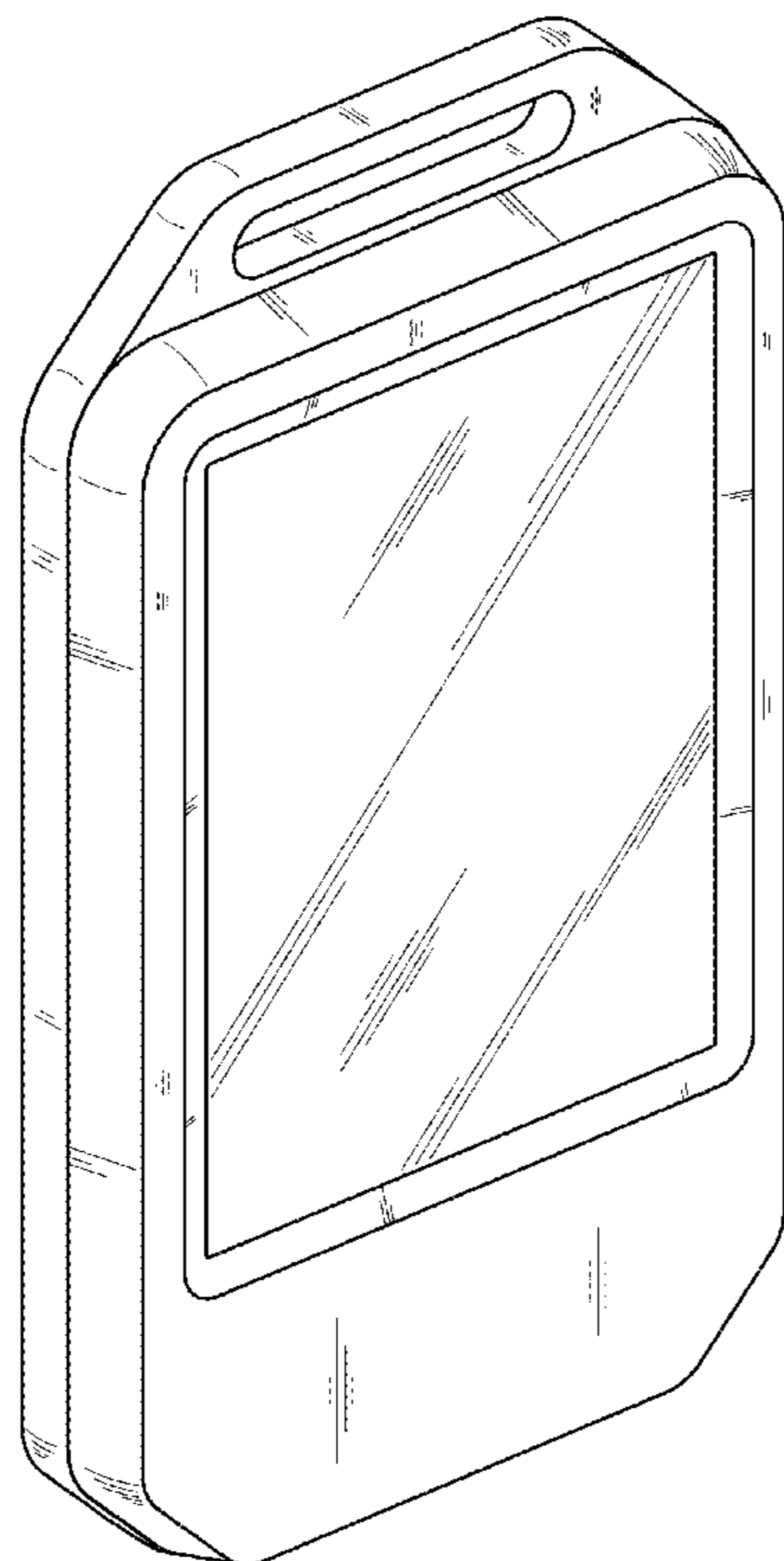
(57) **CLAIM**

The ornamental design for a portable data collector, as shown and described.

DESCRIPTION

FIG. 1 is a top, front and left side perspective view of a portable data collector showing my new design; FIG. 2 is a top, rear and right side perspective view thereof; FIG. 3 is a bottom, front and left side perspective view thereof; FIG. 4 is a front elevational view thereof; FIG. 5 is a rear elevational view thereof; FIG. 6 is a left side elevational view thereof; FIG. 7 is a right side elevational view thereof; FIG. 8 is a top plan view thereof; and, FIG. 9 is a bottom plan view thereof. The broken lines of FIG. 2, FIG. 5, and FIG. 8 illustrate portions of the portable data collector which form no part of the claimed design.

1 Claim, 9 Drawing Sheets



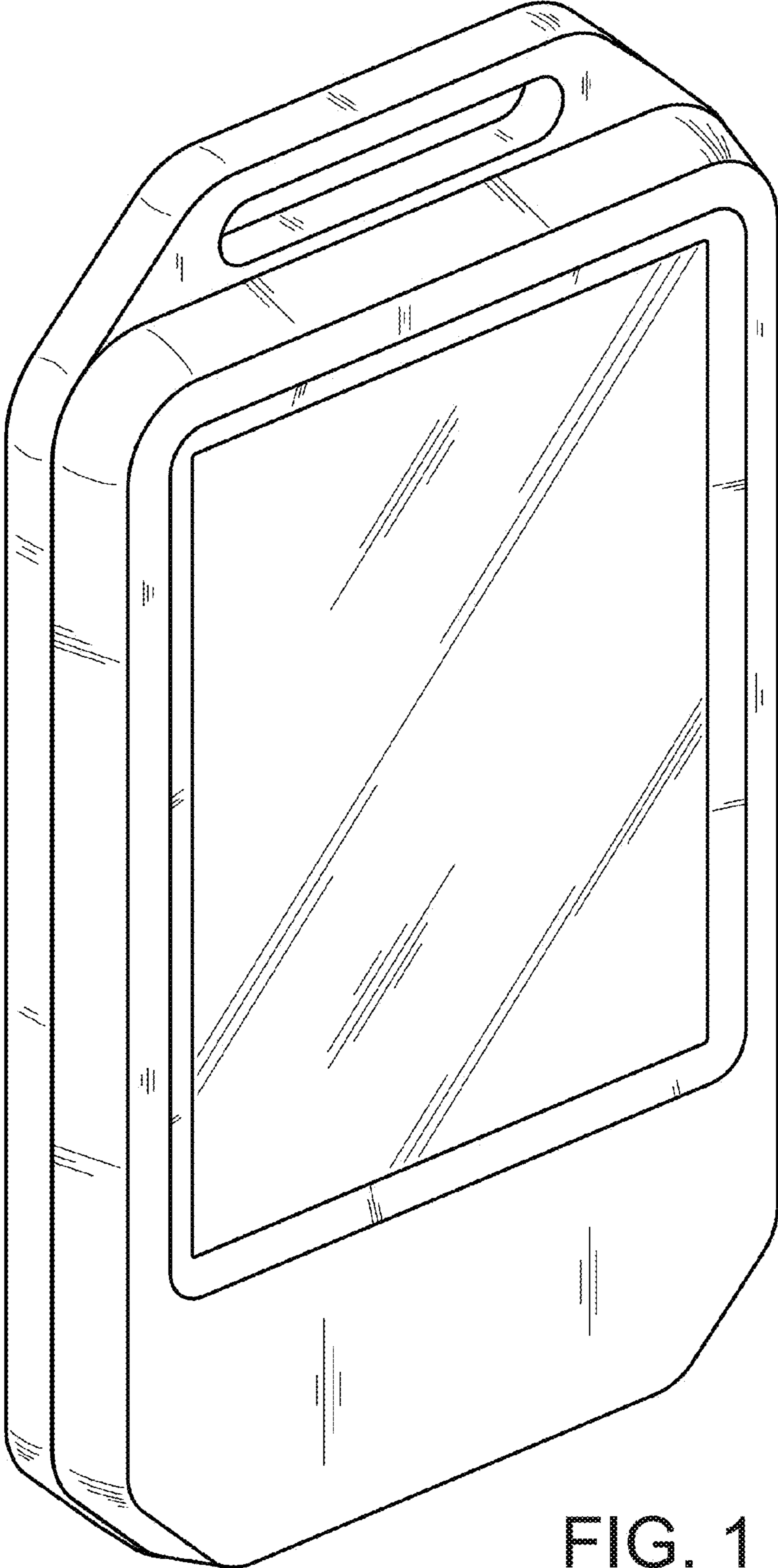


FIG. 1

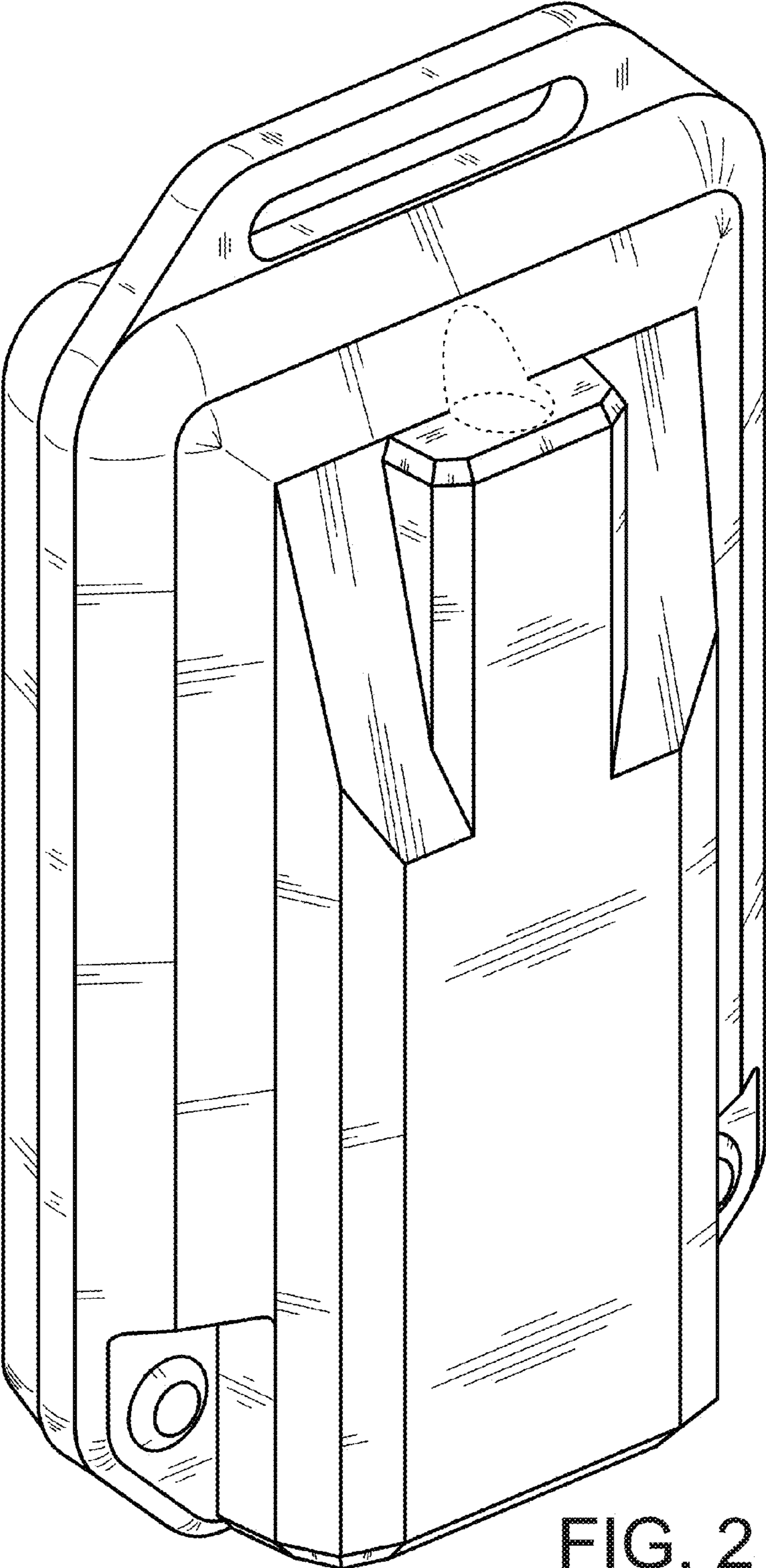


FIG. 2

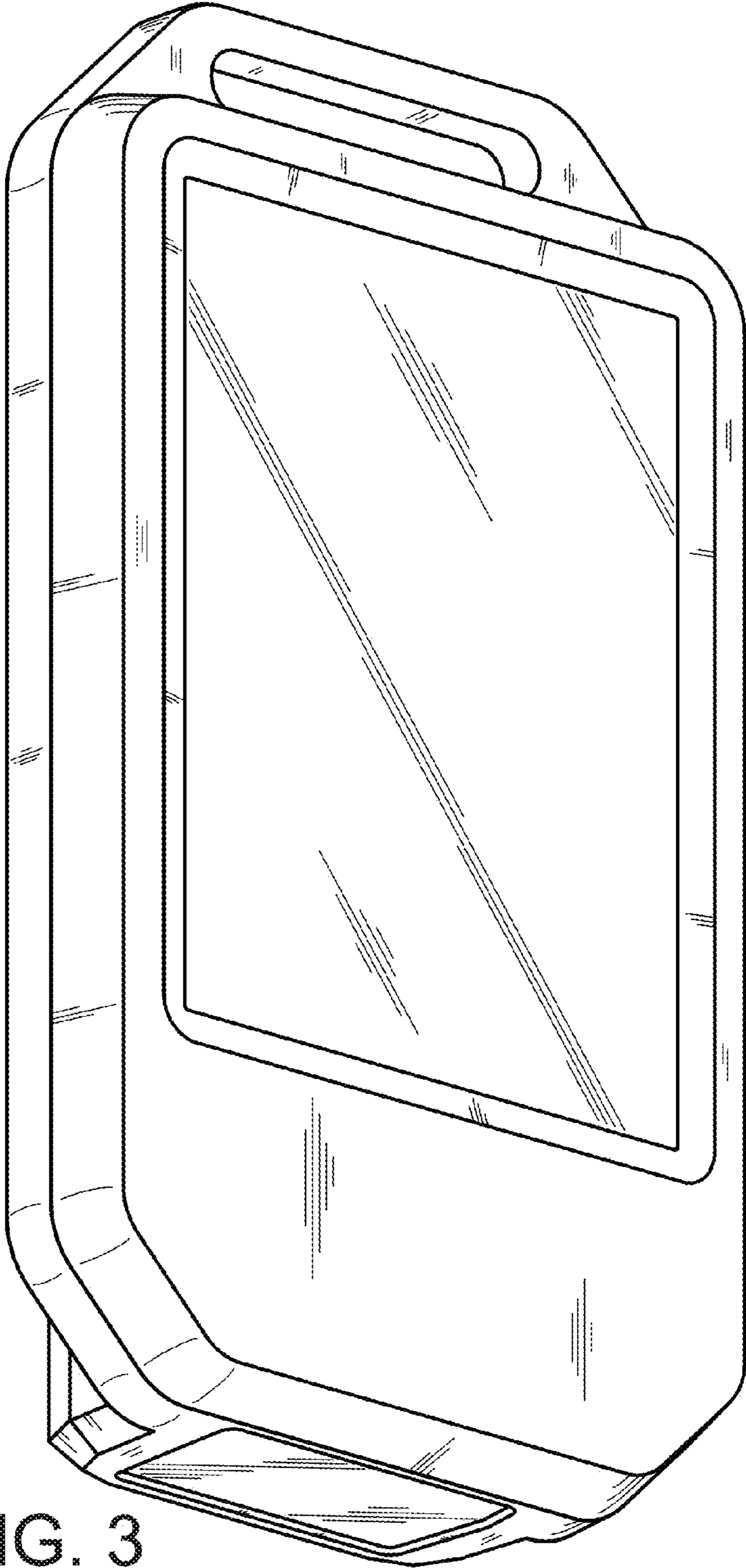


FIG. 3

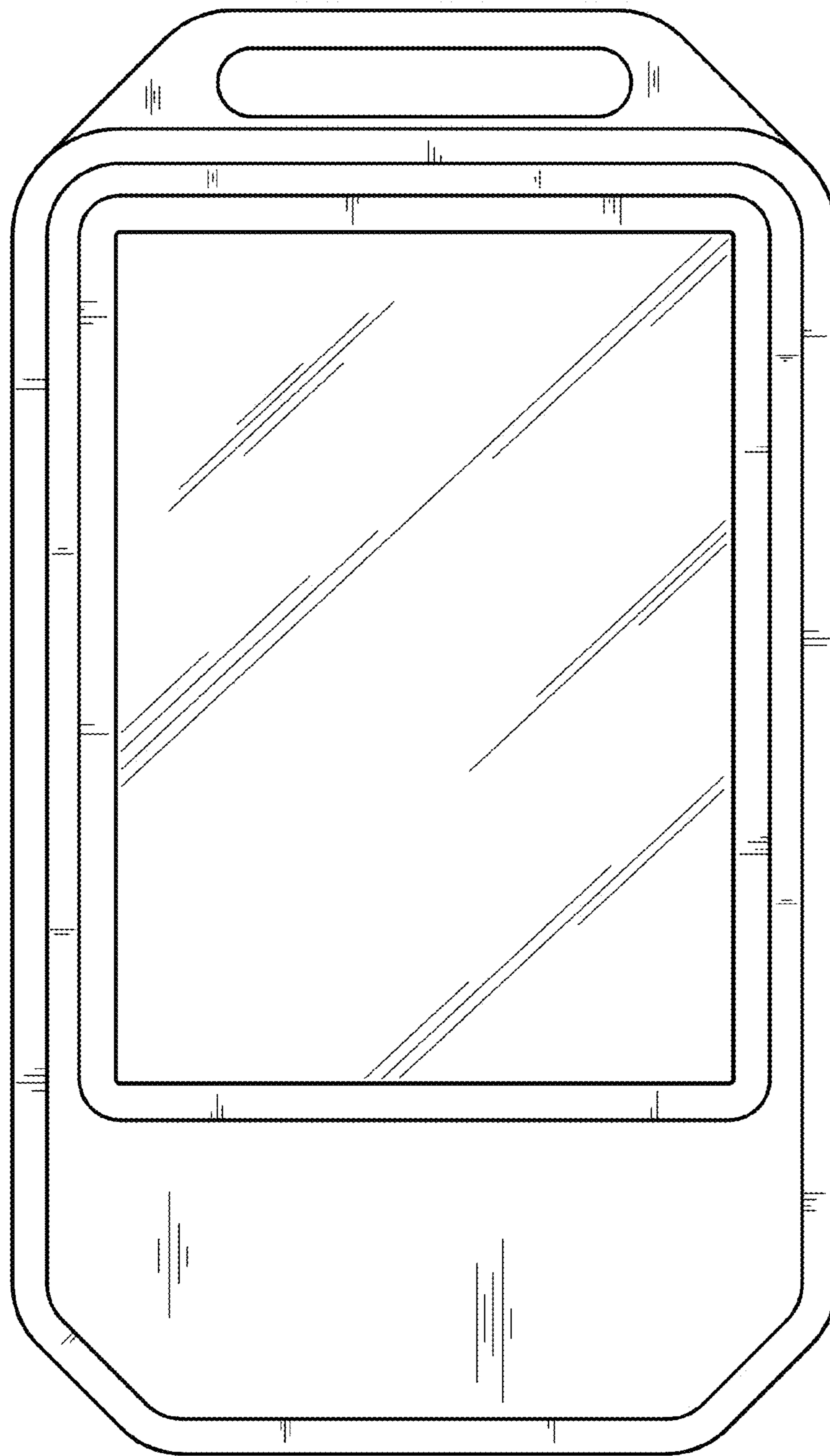


FIG. 4

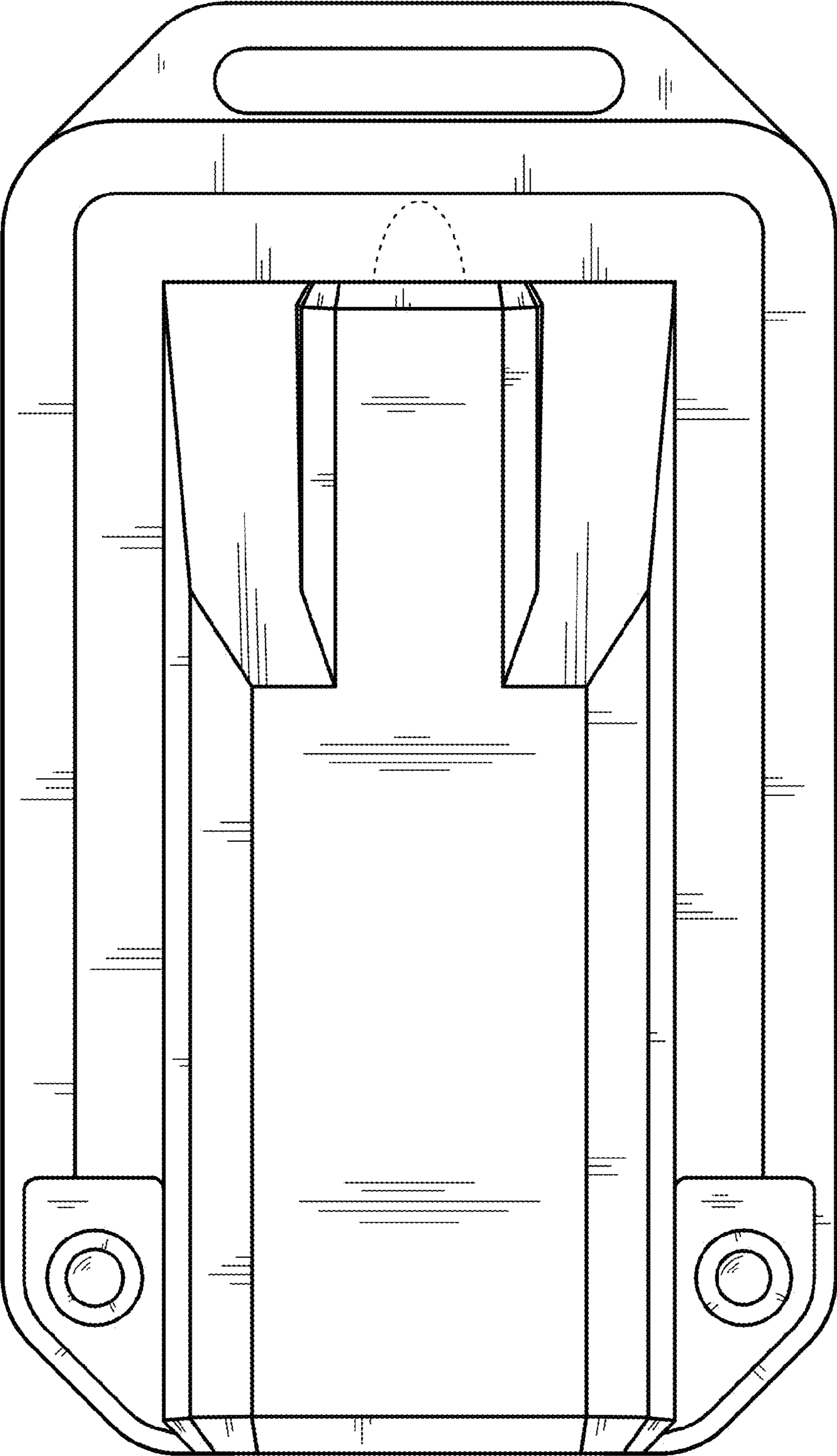


FIG. 5

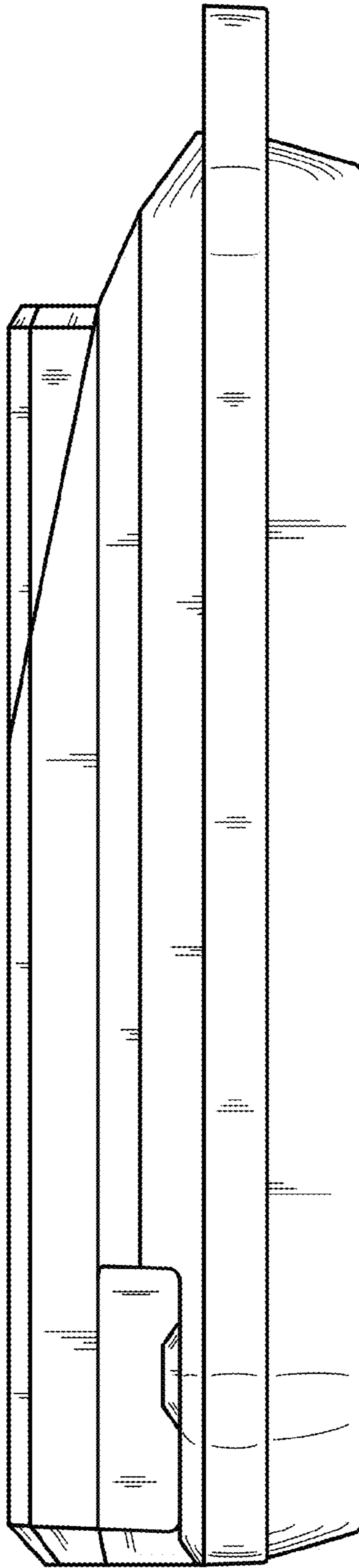


FIG. 6

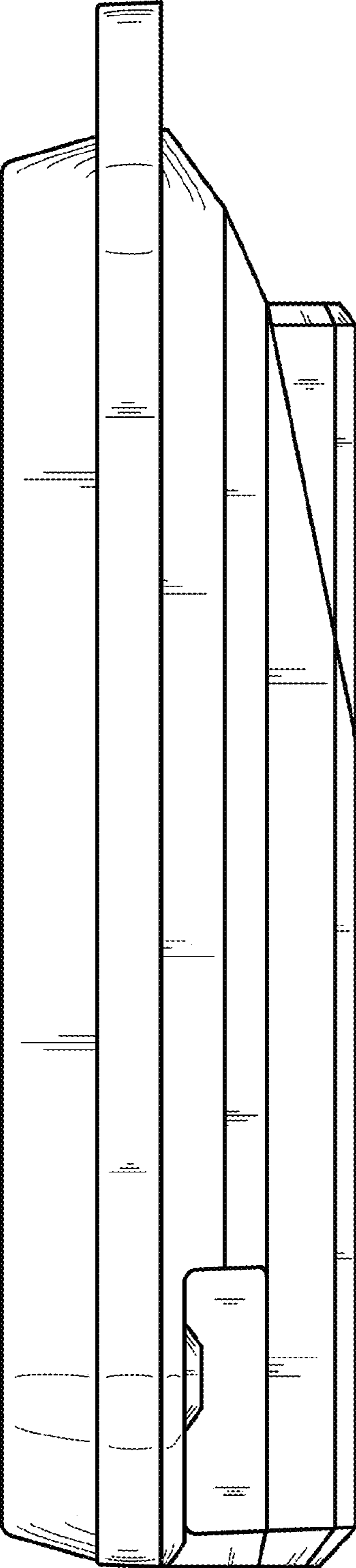


FIG. 7

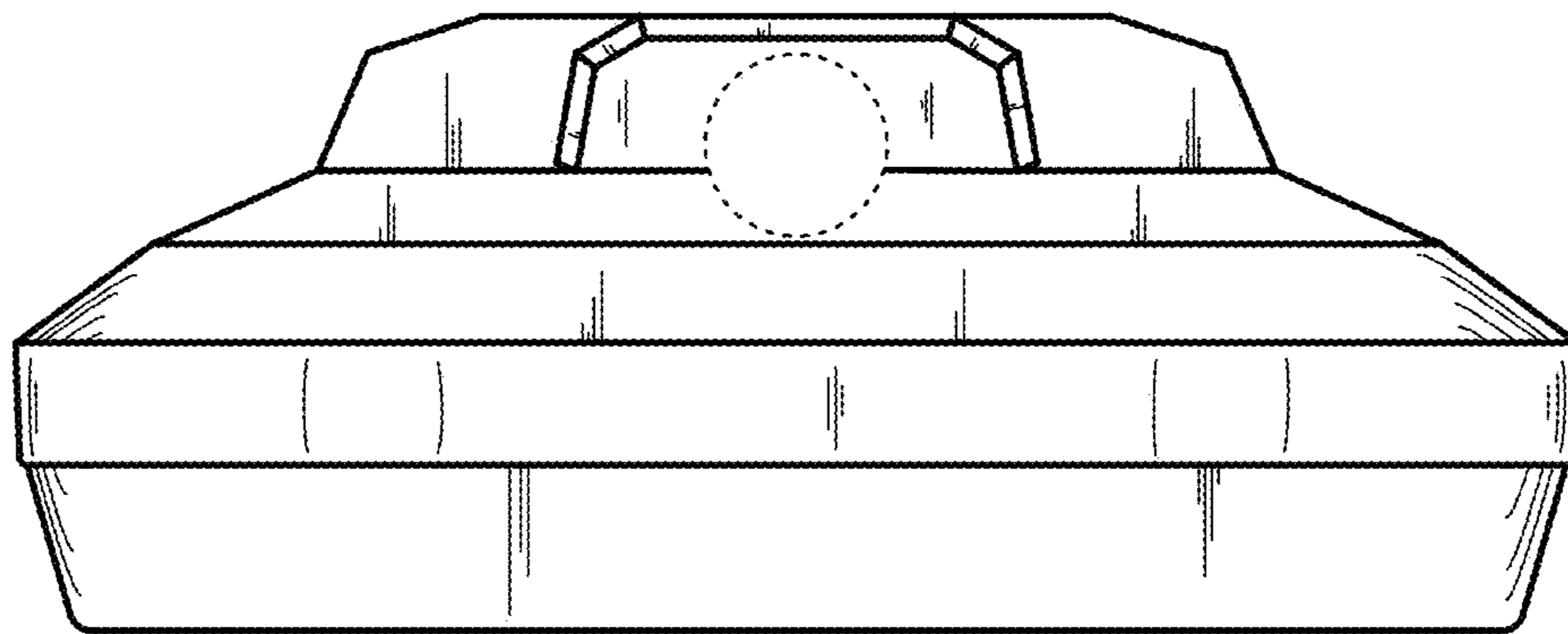


FIG. 8

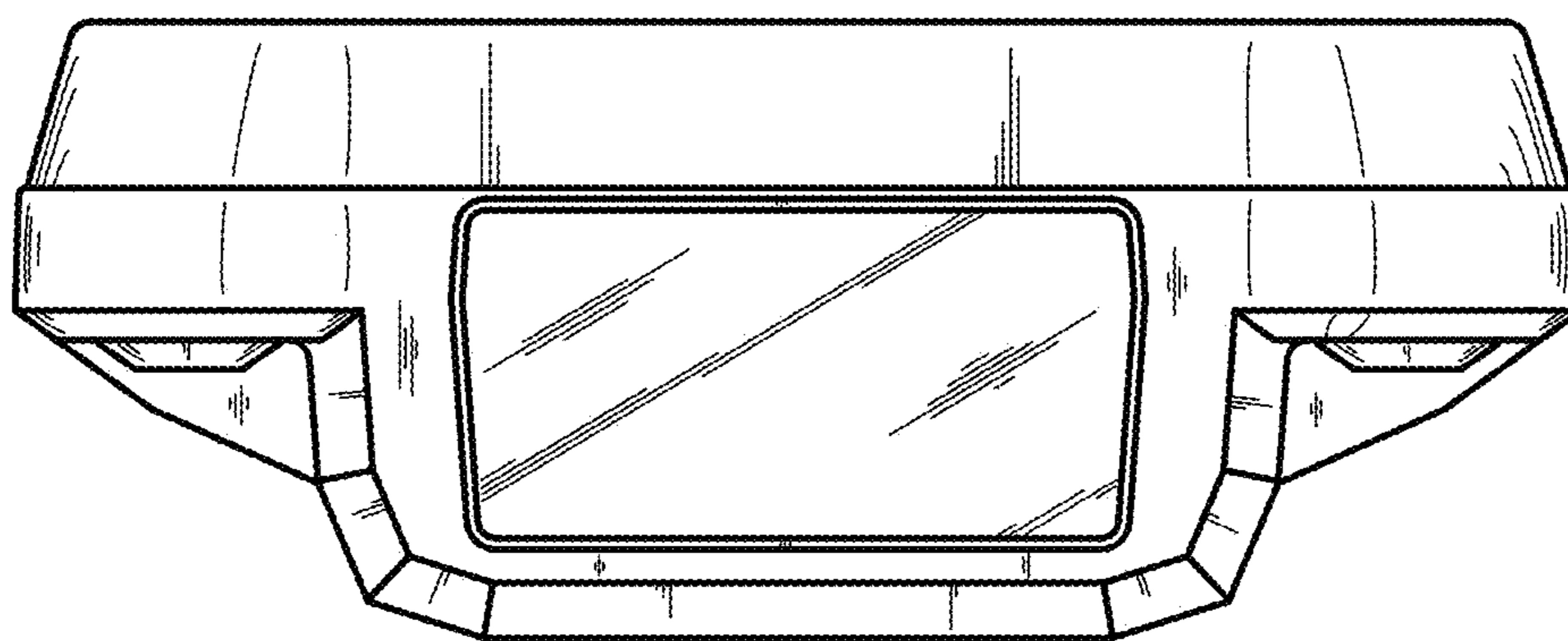


FIG. 9