



US00D744479S

(12) **United States Design Patent**  
**Haller et al.**

(10) **Patent No.:** **US D744,479 S**  
(45) **Date of Patent:** **\*\* Dec. 1, 2015**

(54) **ELECTRONIC DEVICE**

(71) Applicant: **Elo Touch Solutions, Inc.**, Milpitas, CA (US)

(72) Inventors: **Jeffrey Haller**, Milpitas, CA (US);  
**Lukas Martin Scherrer**, San Francisco, CA (US)

(73) Assignee: **Elo Touch Solutions, Inc.**, Milpitas, CA (US)

(\*\*) Term: **14 Years**

(21) Appl. No.: **29/496,746**

(22) Filed: **Jul. 16, 2014**

(51) **LOC (10) Cl.** ..... **14-02**

(52) **U.S. Cl.**  
USPC ..... **D14/336**; D14/337; D14/371

(58) **Field of Classification Search**  
USPC ..... D14/371-375, 125-129, 336, 337, 341;  
341/12; 345/104, 156, 168, 173;  
348/180, 184, 325, 739; 349/1, 2, 11,  
349/62; 361/679.05-679.07, 679.21;  
D6/300, 308; D18/4.3-4.6, 12.3

CPC ..... G06F 1/16; G06F 1/1601; G06F 3/037;  
G06F 1/162; G06Q 20/18; G06Q 20/10;  
G06Q 20/123; G06Q 20/20; G07G 1/0027;  
G07G 1/12; G07G 1/0018; G06C 7/10

See application file for complete search history.

(56) **References Cited**

**U.S. PATENT DOCUMENTS**

D355,170 S \* 2/1995 Mizusugi et al. .... D14/336  
D403,670 S \* 1/1999 Liao ..... D14/375  
6,053,411 A \* 4/2000 Nugent et al. .... 235/462.43  
7,016,181 B2 \* 3/2006 Ito et al. .... 361/679.31  
D556,757 S \* 12/2007 Kim et al. .... D14/375

D579,930 S \* 11/2008 Maskatia ..... D14/341  
D660,837 S \* 5/2012 Libman et al. .... D14/336  
D700,603 S \* 3/2014 Chen et al. .... D14/336

**OTHER PUBLICATIONS**

Casio V-R100 Android Terminal [Retrieved from the Internet: <URL: http://www.cev.ie>. (dated Apr. 16, 2013) 6 pages.  
CashRegisterStore.com :: Cash Registers :: Casio :: Casio V-R 100 :: Casio V-R100 Touch Screen Tablet [online] [retrieved Jul. 1, 2013]. Retrieved from the Internet: <URL: www.cashregisterstore.com/xcart/product.php?productid=4675&cat=2799&page=1>. (undated) 3 pages.  
Casio VR 100 Till EPOS Systems, Android App Suppliers, Software Company [online] [retrieved Jul. 1, 2013]. Retrieved from the Internet: <URL: www.casiovr100.co.uk>. (dated 2012) 4 pages.

(Continued)

*Primary Examiner* — Freda S Nunn

(74) *Attorney, Agent, or Firm* — Sterne, Kessler, Goldstein & Fox P.L.L.C.

(57) **CLAIM**

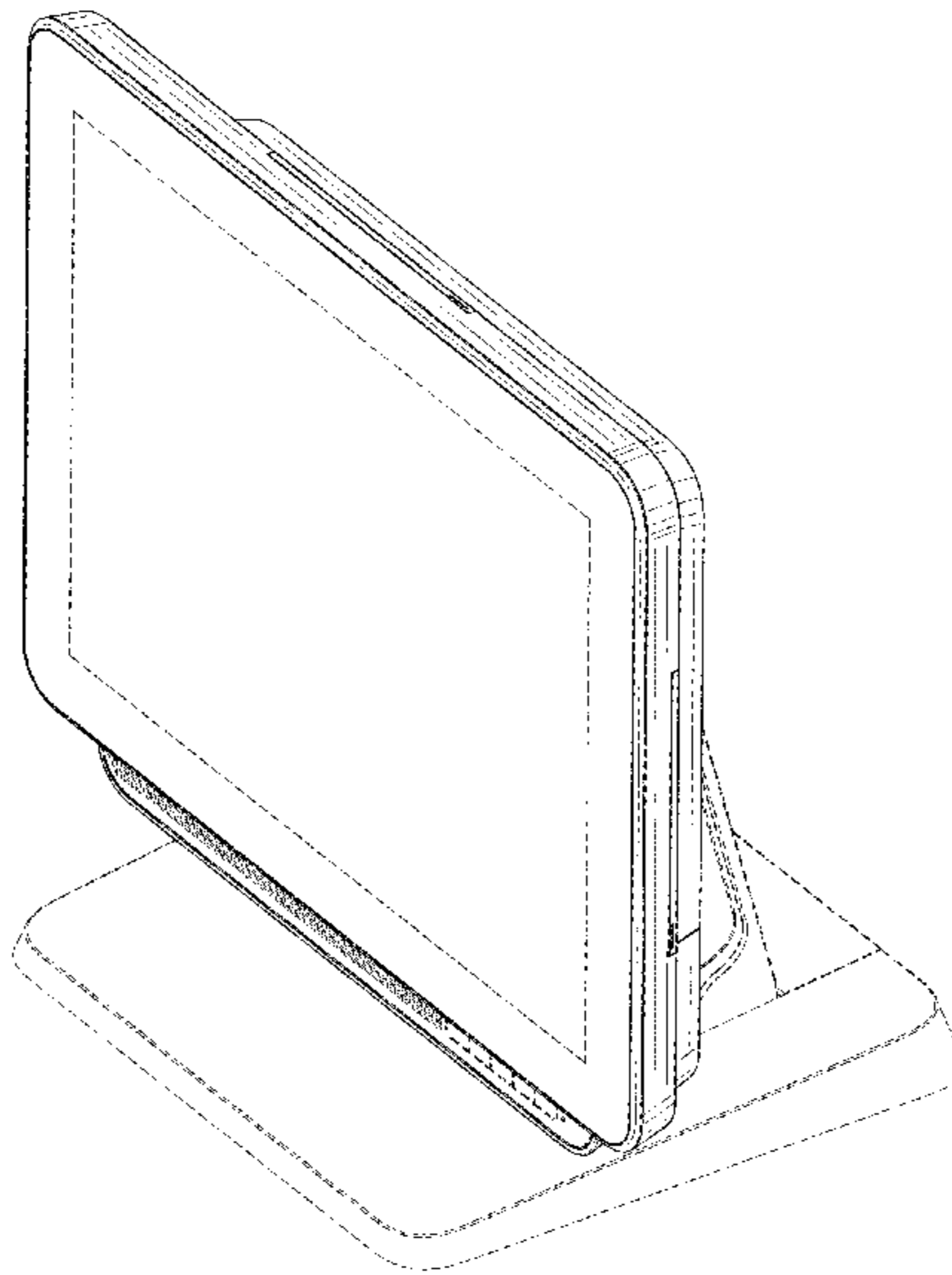
The ornamental design for an electronic device, as shown and described.

**DESCRIPTION**

FIG. 1 is a top front perspective view of an electronic device showing our new design;  
FIG. 2 is a bottom front perspective view thereof;  
FIG. 3 is a top rear perspective view thereof;  
FIG. 4 is a front view thereof;  
FIG. 5 is a rear view thereof;  
FIG. 6 is a right side view thereof;  
FIG. 7 is a left side view thereof;  
FIG. 8 is a top view thereof; and,  
FIG. 9 is a bottom view thereof.

The broken lines in the Figures show portions of an electronic device that form no part of the claimed design.

**1 Claim, 9 Drawing Sheets**



(56)

**References Cited**

OTHER PUBLICATIONS

POS Software and Hardware, Retail and Restaurant POS Systems, Security cameras, DVR, Recorders, Portable Inventory | International Point of Sale [online] [retrieved Jul. 1, 2013]. Retrieved from the Internet: <URL: [www.internationalpointofsale.com/completepos.html](http://www.internationalpointofsale.com/completepos.html)>. (dated 2009) 4 pages.

Wholesale All in one touch POS machine touch screen terminal cash register wireless meals ordering set, \$397.1~418.0/Set | DHgate [online] [retrieved Jul 1, 2013]. Retrieved from the Internet: <URL: [www.dhgate.com/product/all-in-one-touch-pos-machine-touch-screen/135165997.html](http://www.dhgate.com/product/all-in-one-touch-pos-machine-touch-screen/135165997.html)>. (undated) 1 page.

Aliexpress.com:Buy 15" all in one touch screen cash register from Reliable touch screen cash register supplies on Professional touch screen POS system . . . [online] [retrieved Jul. 1, 2013]. Retrieved from the Internet: <URL: [www.aliexpress.com/store/product/15-all-in-one-touch-screen-cash-register/803507\\_522289154.html](http://www.aliexpress.com/store/product/15-all-in-one-touch-screen-cash-register/803507_522289154.html)>. (dated 1999-2013) 12 pages.

Posiflex XP3315 Series Electronic Cash Register (ECR) [online] [retrieved Jul. 1, 2013]. Retrieved from the Internet: <URL: [www.posiflexusa.com/xp3315.php](http://www.posiflexusa.com/xp3315.php)>. (dated 2013) 1 page.

AppleInsider, "Groupon eyes massive rollout of new 'Gnome' iPad-based POS system", [http://appleinsider.com/articles/14/05/19/groupon-eyes-massive-rollout-of-new-gnome-ipad-based-pos-system?utm\\_source=dlvr.it&utm\\_medium=facebook](http://appleinsider.com/articles/14/05/19/groupon-eyes-massive-rollout-of-new-gnome-ipad-based-pos-system?utm_source=dlvr.it&utm_medium=facebook), accessed on May 19, 2014, 10 pages.

\* cited by examiner

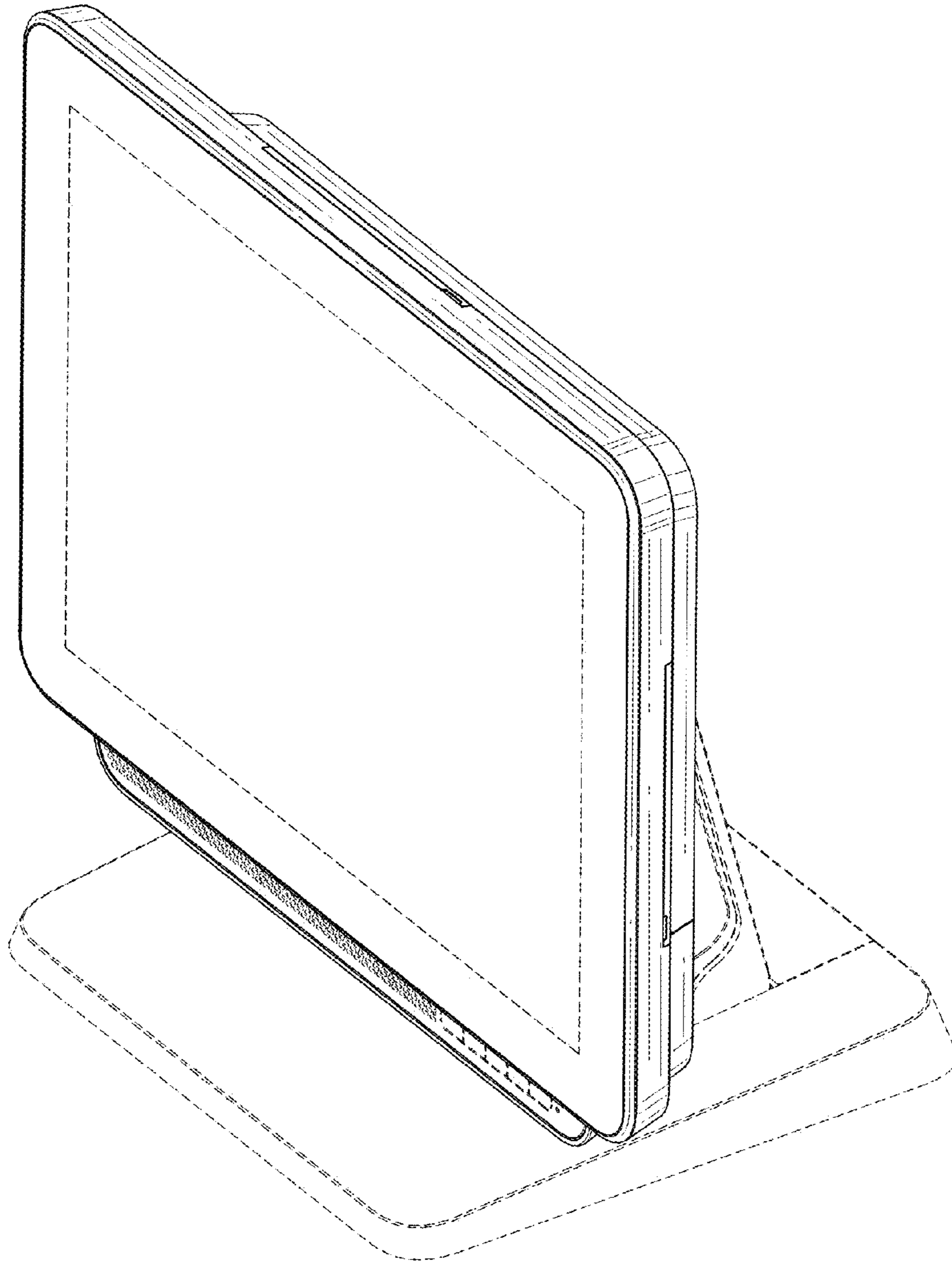


FIG. 1

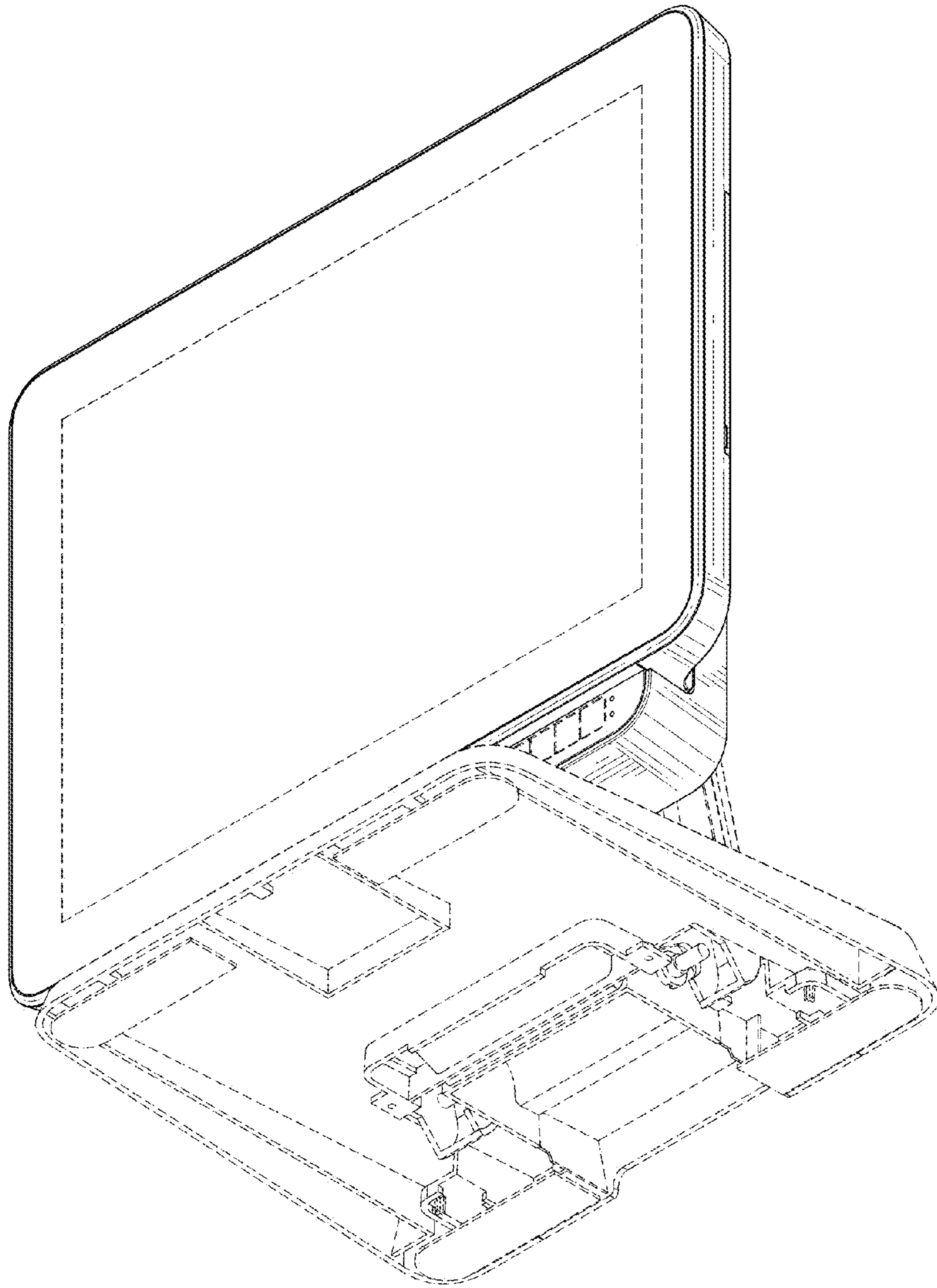


FIG. 2



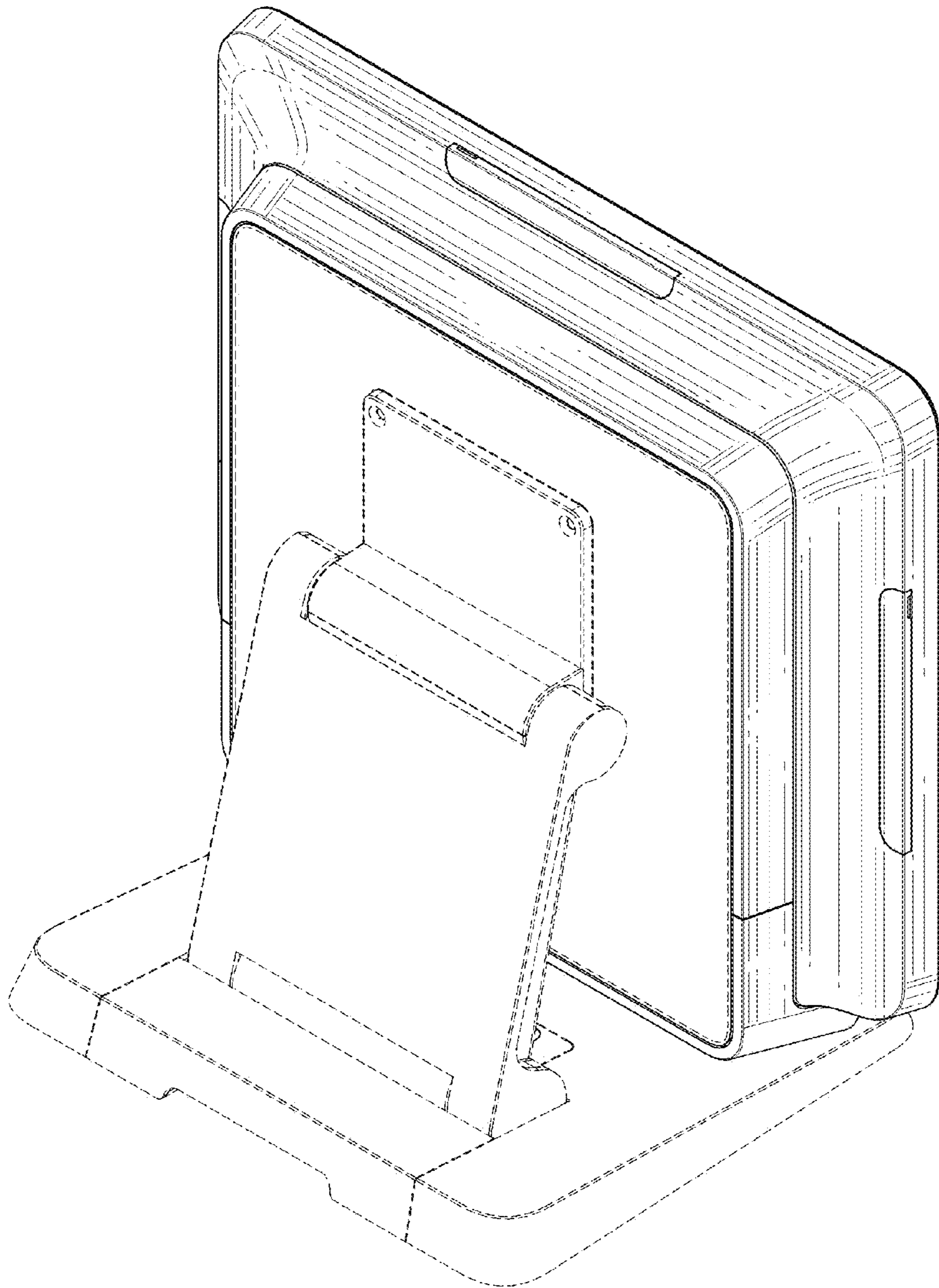


FIG. 3

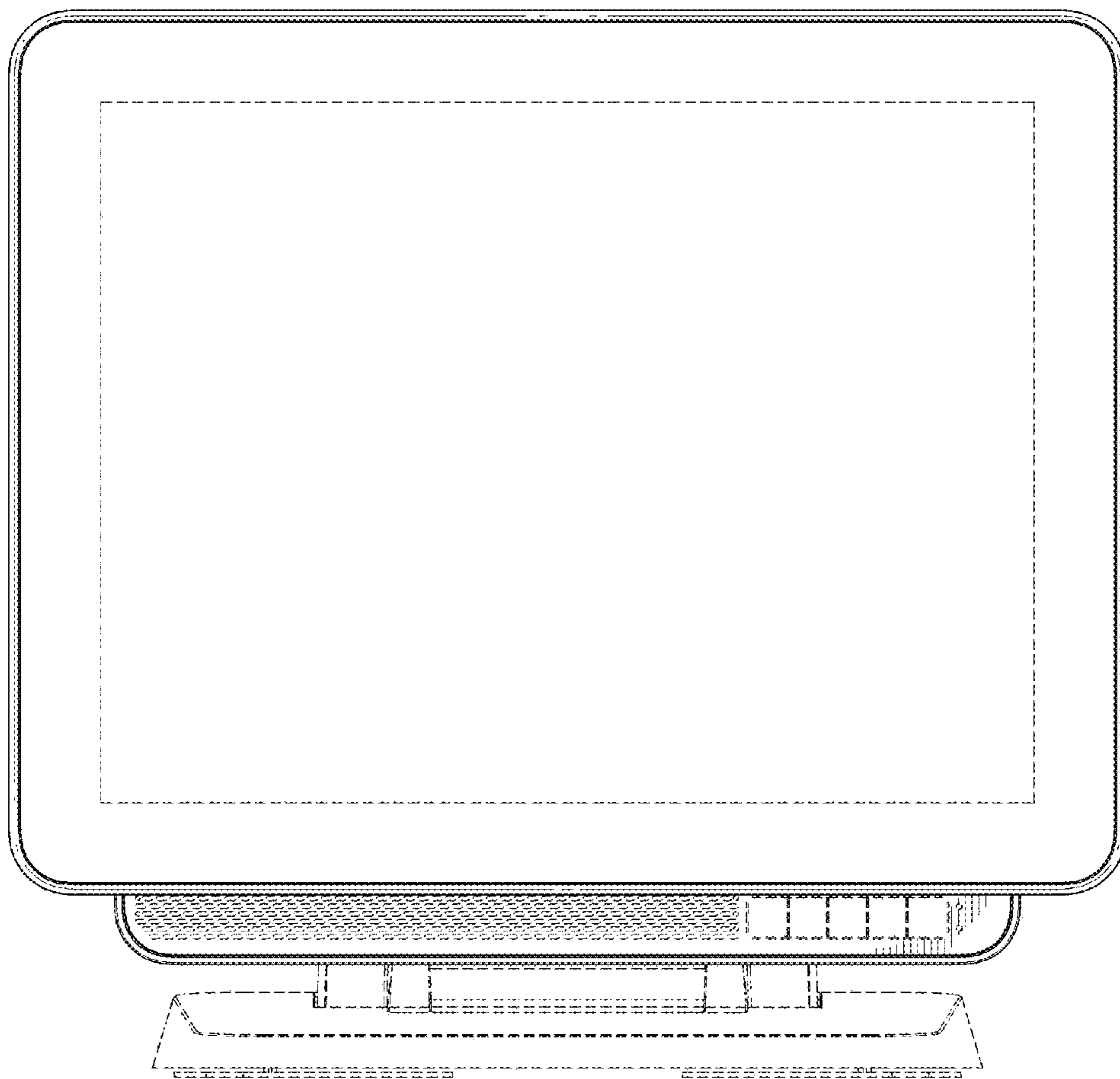


FIG. 4

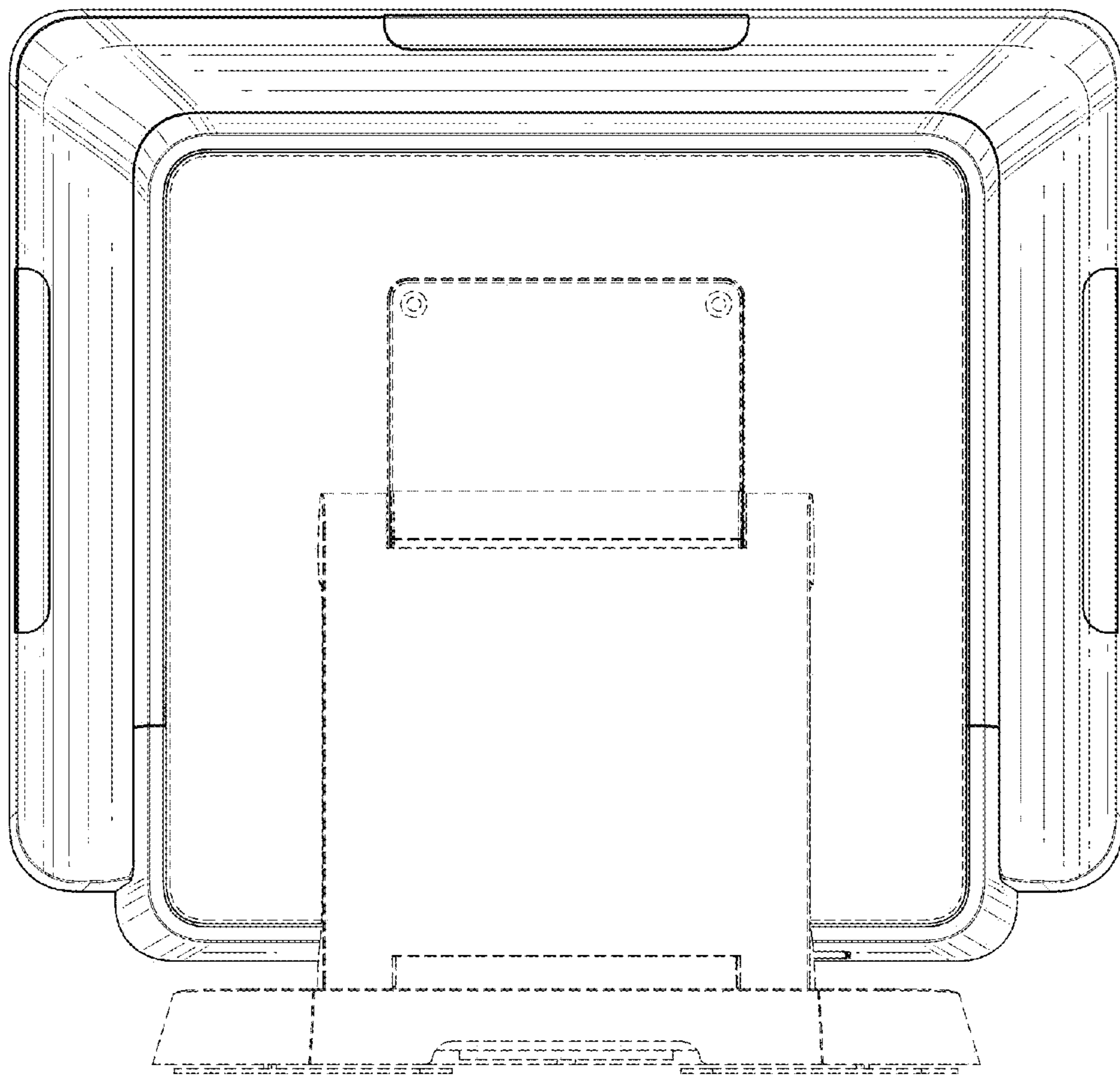


FIG. 5

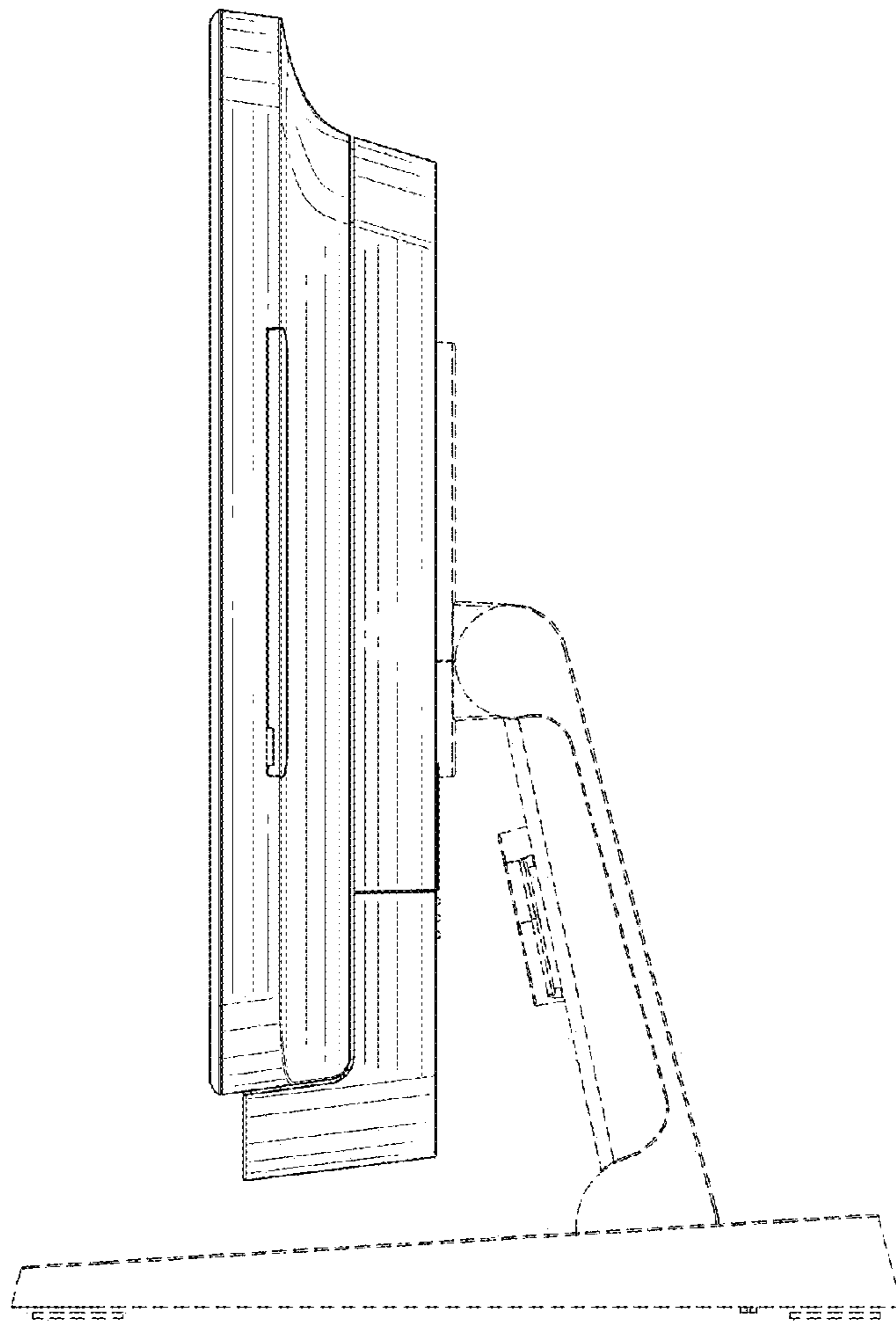


FIG. 6



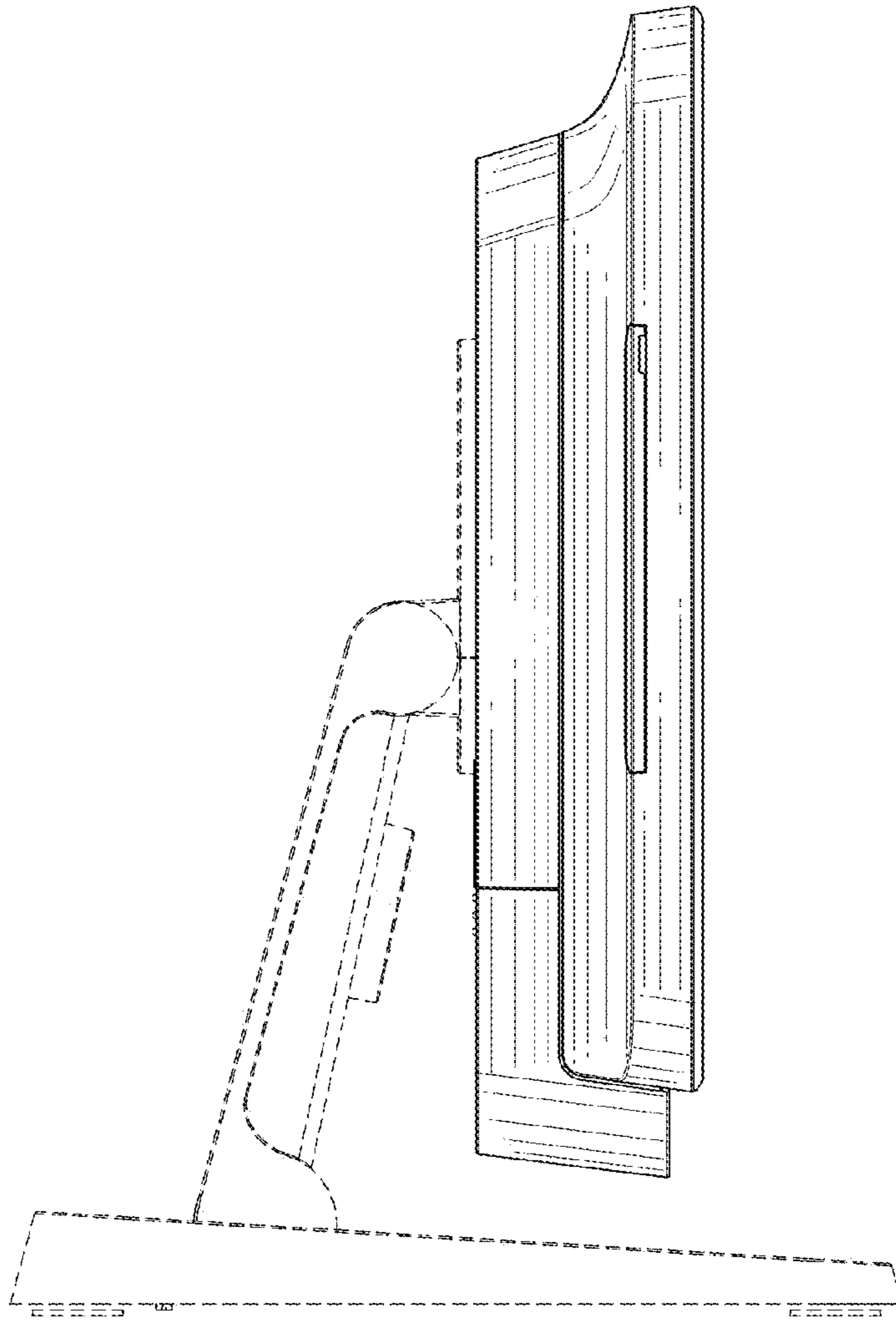


FIG. 7

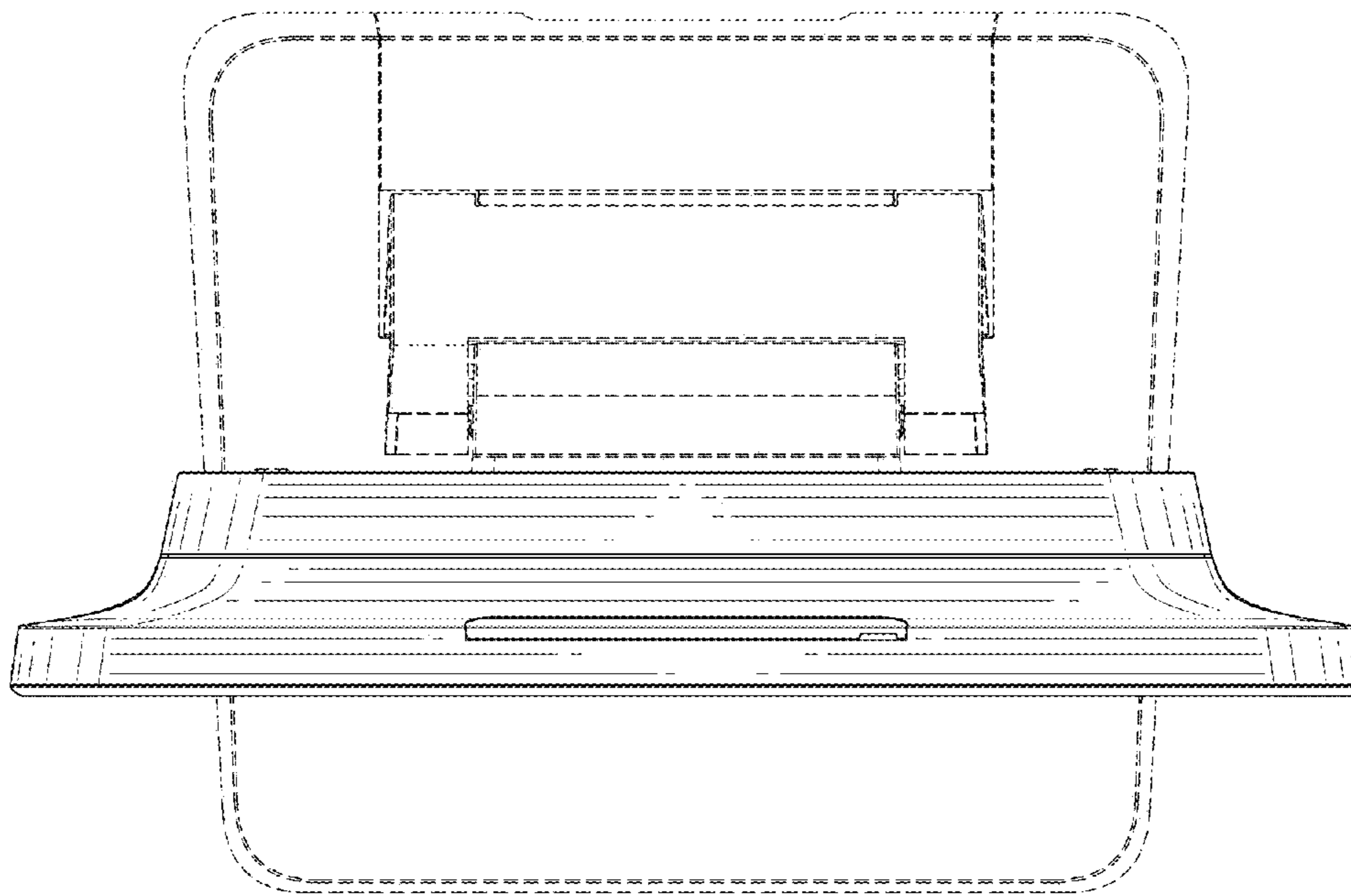


FIG. 8

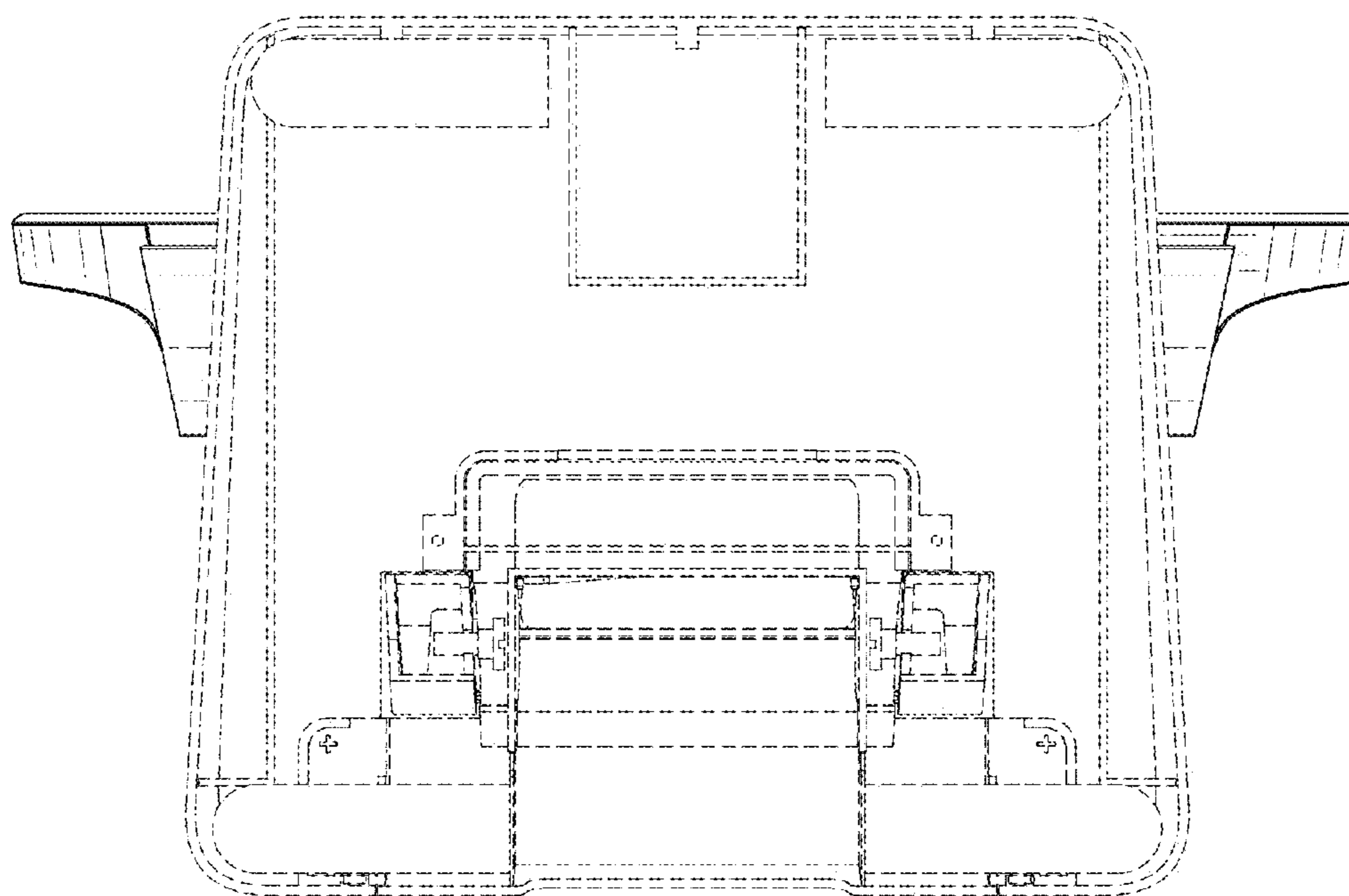


FIG. 9

UNITED STATES PATENT AND TRADEMARK OFFICE  
**CERTIFICATE OF CORRECTION**

PATENT NO. : D744,479 S  
APPLICATION NO. : 29/496746  
DATED : December 1, 2015  
INVENTOR(S) : Scharer et al.

Page 1 of 1

It is certified that error appears in the above-identified patent and that said Letters Patent is hereby corrected as shown below:

Title Page

In the "Inventors" Item (72), please change "Jeffrey HALLER, Milpitas, CA" to --Jeffrey HALLER,  
Redwood City, CA--.

Signed and Sealed this  
Twenty-fourth Day of May, 2016



Michelle K. Lee  
*Director of the United States Patent and Trademark Office*