



US00D744476S

(12) **United States Design Patent**  
**Myung et al.**

(10) **Patent No.:** **US D744,476 S**  
(45) **Date of Patent:** **\*\* Dec. 1, 2015**

(54) **NOTEBOOK COMPUTER**

(71) Applicant: **Samsung Electronics Co., Ltd.**,  
Suwon-Si, Gyeonggi-Do (KR)  
(72) Inventors: **Ji Eun Myung**, Seoul (KR); **Sang Won Yoon**, Seoul (KR); **Ik Sang Kim**, Seoul (KR)  
(73) Assignee: **Samsung Electronics Co., Ltd.**,  
Gyeonggi-Do (KR)

(\*\*) Term: **14 Years**

(21) Appl. No.: **29/495,365**

(22) Filed: **Jun. 30, 2014**

(30) **Foreign Application Priority Data**

Jan. 3, 2014 (KR) ..... 30-2014-0000501

(51) **LOC (10) Cl.** ..... **14-02**

(52) **U.S. Cl.**  
USPC ..... **D14/315**

(58) **Field of Classification Search**  
USPC ..... D14/315-327; D18/1, 2, 7, 11;  
235/145 A, 145 R; 341/22, 23; 345/104,  
345/156, 168, 169, 173; 361/679.08,  
361/679.09, 679.11, 679.26, 679.27  
CPC ..... G06F 1/16; G06F 1/1616; H01R 35/02;  
H03M 11/00; G09B 13/04; H03K 17/94

See application file for complete search history.

(56) **References Cited**

U.S. PATENT DOCUMENTS

D633,488 S \* 3/2011 Kim et al. .... D14/315  
D664,538 S \* 7/2012 Ryu et al. .... D14/327  
D676,042 S \* 2/2013 McManigal et al. .... D14/318  
D682,820 S \* 5/2013 McManigal et al. .... D14/315  
D697,907 S \* 1/2014 Kim et al. .... D14/315  
D704,699 S \* 5/2014 Kim ..... D14/315  
D705,215 S \* 5/2014 Lee et al. .... D14/315

\* cited by examiner

*Primary Examiner* — Freda S Nunn

(74) *Attorney, Agent, or Firm* — Harness, Dickey & Pierce, P.L.C.

(57) **CLAIM**

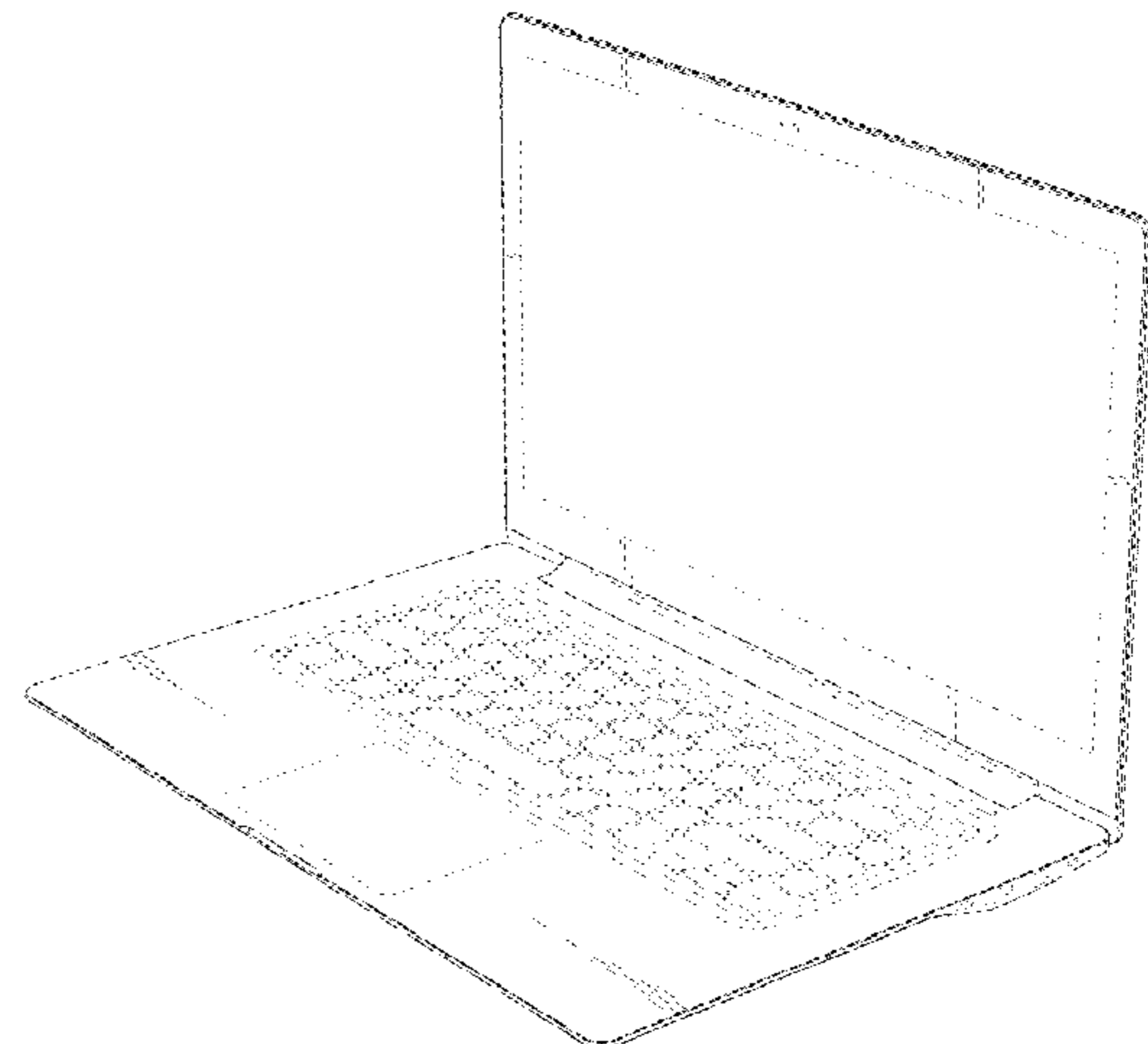
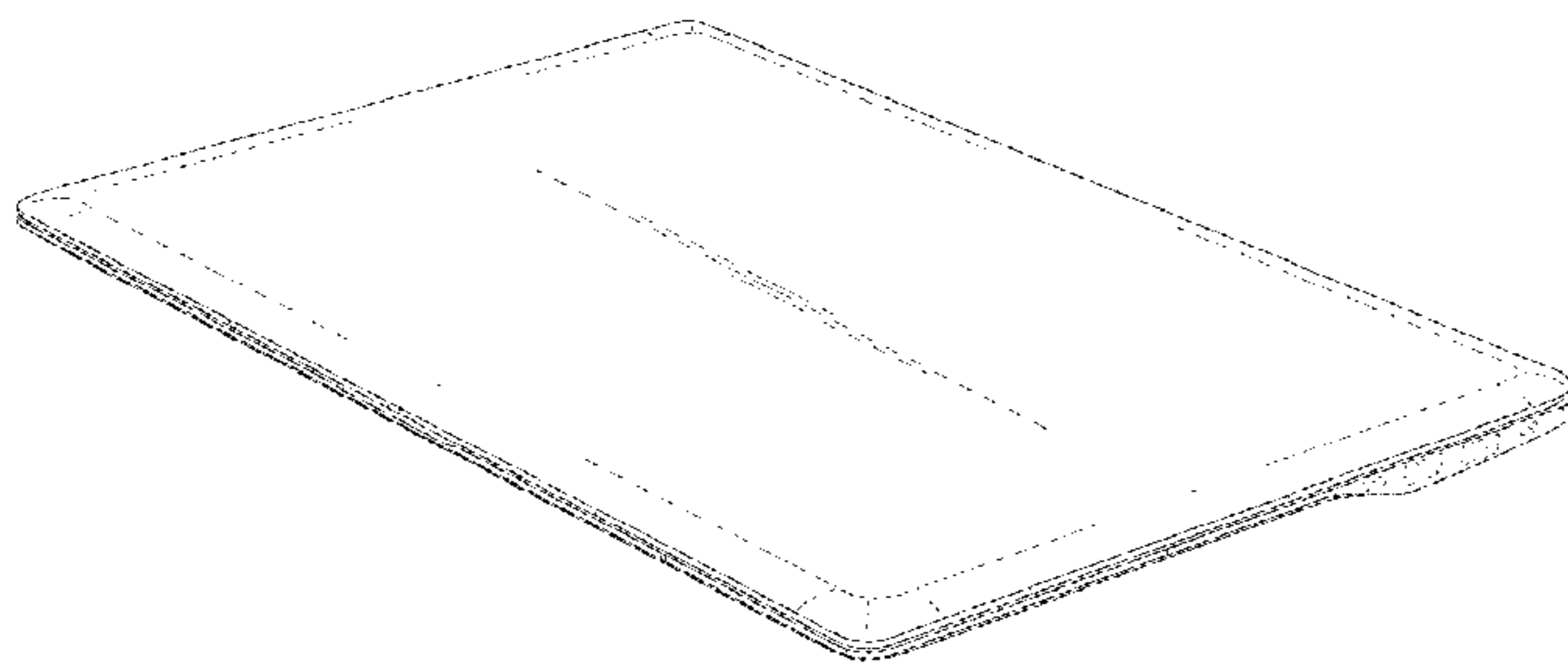
We claim, the ornamental design for a notebook computer, as shown and described.

**DESCRIPTION**

FIG. 1 is the front perspective view of a notebook computer showing our new design;  
FIG. 2 is the front view thereof;  
FIG. 3 is the rear view thereof;  
FIG. 4 is the left-side view thereof;  
FIG. 5 is the right-side view thereof;  
FIG. 6 is the top-side plan view thereof;  
FIG. 7 is the bottom-side plan view thereof; and,  
FIG. 8 is another front perspective view thereof, as shown in an alternate configuration.

The broken lines illustrating portions of the notebook computer are for environmental purposes only and form no part of the claimed design.

**1 Claim, 8 Drawing Sheets**



**Fig. 1**

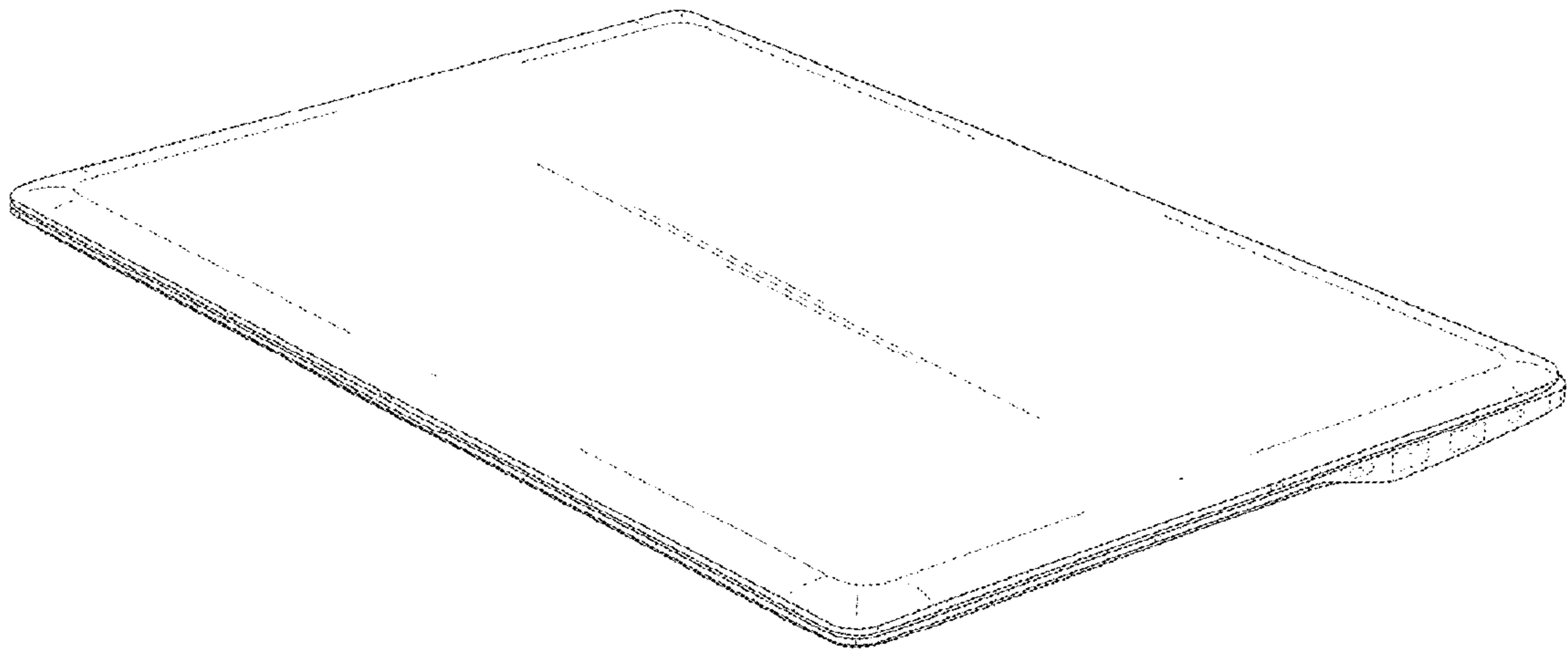


Fig. 2

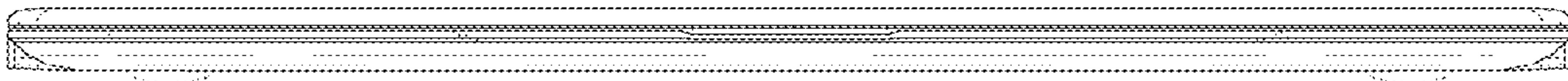


Fig. 3

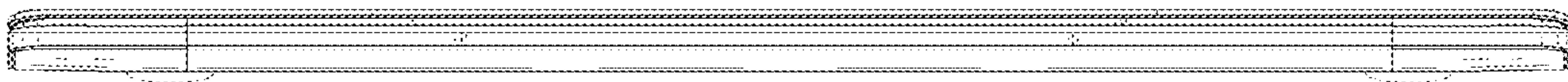
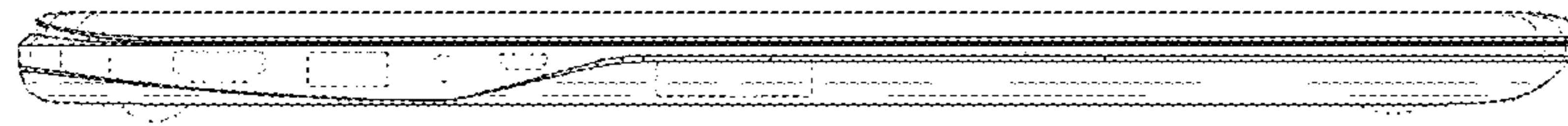


Fig. 4



**Fig. 5**

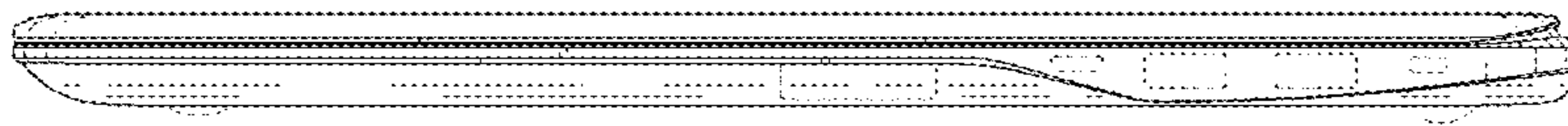


Fig. 6

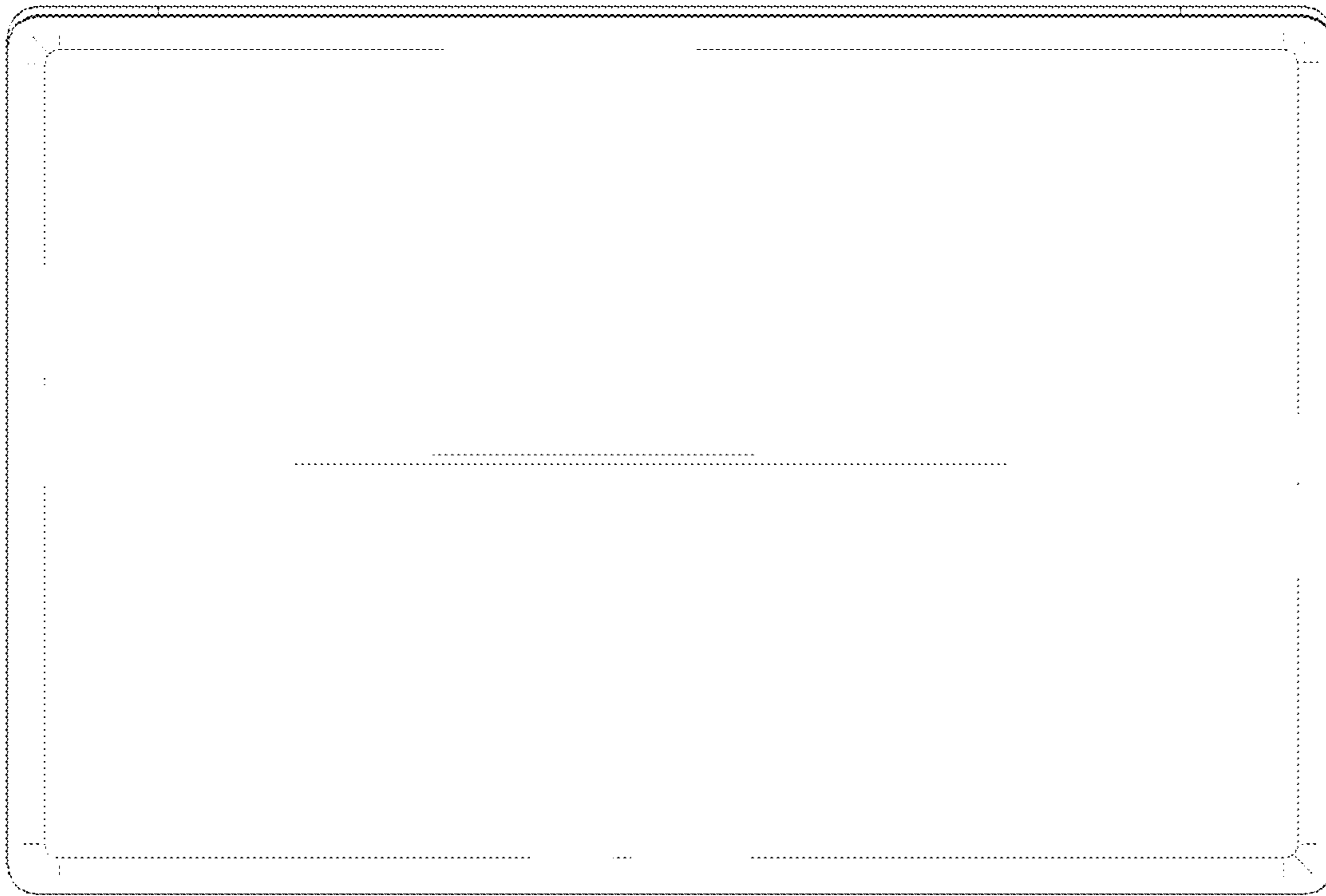
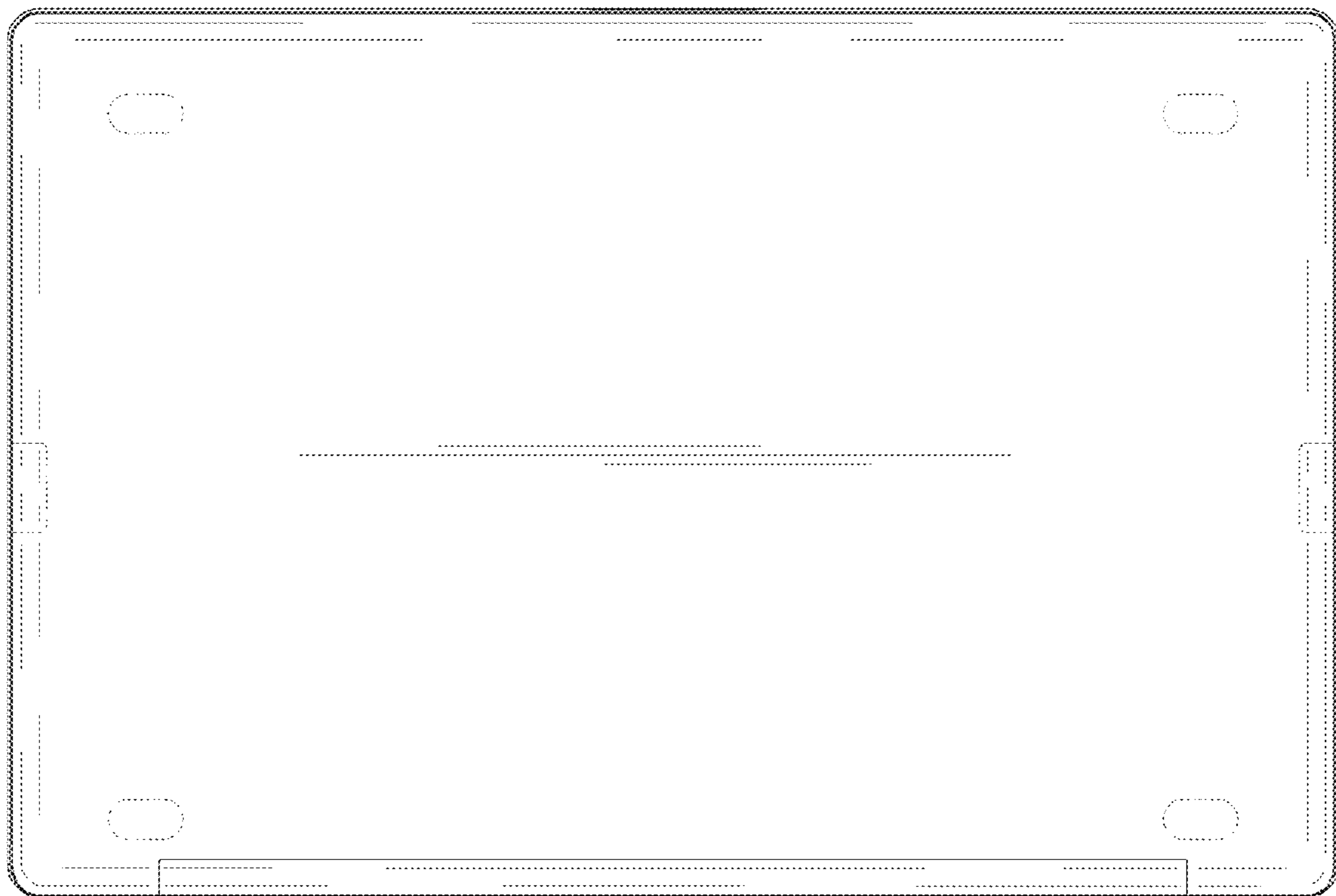


Fig. 7





**Fig. 8**

