



US00D744473S

(12) **United States Design Patent**
Tsai et al.

(10) **Patent No.:** **US D744,473 S**
(45) **Date of Patent:** **** Dec. 1, 2015**

(54) **TRIPOD MOUNT FOR ELECTRONIC DEVICE**

D733,526 S * 7/2015 Delrue D14/447
D735,112 S * 7/2015 Deng D12/415
2015/0192155 A1* 7/2015 Chen F16B 2/06
348/376

(71) Applicants: **Kuang Yuan Tsai**, New Taipei (TW);
Huan Wang, Shanghai (CN); **Wen Chun Tseng**, New Taipei (TW)

* cited by examiner

Primary Examiner — Susan Bennett Hattan

Assistant Examiner — Leanne Was

(72) Inventors: **Kuang Yuan Tsai**, New Taipei (TW);
Huan Wang, Shanghai (CN); **Wen Chun Tseng**, New Taipei (TW)

(57) **CLAIM**

We claim the ornamental design for a tripod mount for electronic device, substantially as shown and described.

(**) Term: **14 Years**

DESCRIPTION

(21) Appl. No.: **29/499,810**

(22) Filed: **Aug. 19, 2014**

(51) **LOC (10) Cl.** **14-03**

(52) **U.S. Cl.**

USPC **D14/251**; D16/242

(58) **Field of Classification Search**

USPC D14/142, 144, 203.8, 209.1, 217, 238.1,
D14/240, 251, 252, 253, 256, 432, 433, 434,
D14/447, 451; D16/237, 242, 244, 245;
248/176.1, 177.1, 187.1; 361/679.01,
361/679.02, 825; 396/419, 428

See application file for complete search history.

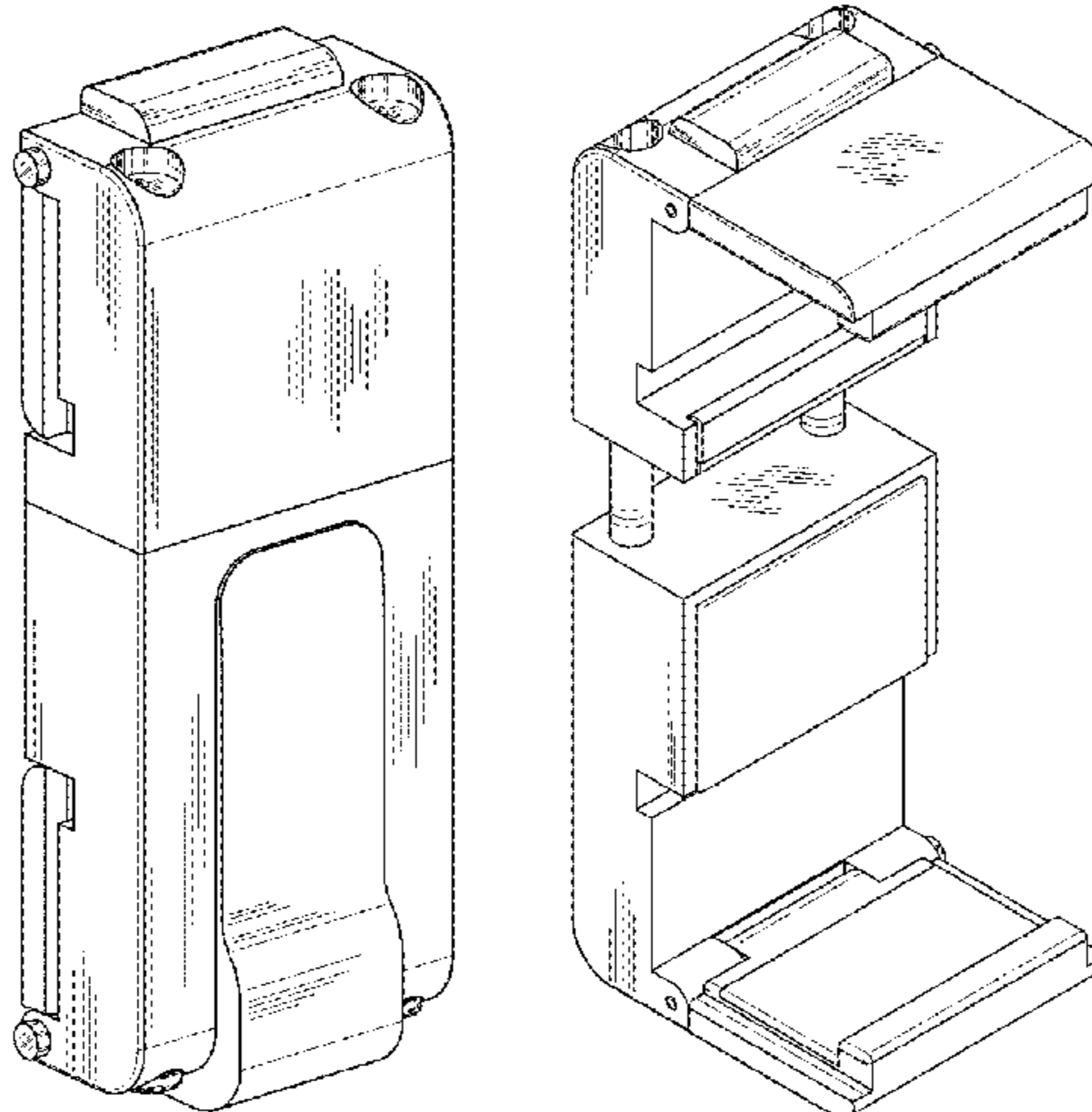
FIG. 1 is a front left side perspective view of a tripod mount for electronic device in accordance with the present design.
FIG. 2 is a rear right side perspective view thereof;
FIG. 3 is a top left side perspective view thereof;
FIG. 4 is a bottom right side perspective view thereof;
FIG. 5 is a right side view thereof;
FIG. 6 is a left side view thereof;
FIG. 7 is a front view thereof;
FIG. 8 is a rear view thereof;
FIG. 9 is a top view thereof;
FIG. 10 is a bottom view thereof;
FIG. 11 is a front left side perspective view of the tripod mount for electronic device with the chucks opened in accordance with the present design.
FIG. 12 is a right side view thereof;
FIG. 13 is a rear view thereof;
FIG. 14 is a front left side perspective view of the tripod mount for electronic device with the chucks opened, upper part and bottom part of the tripod mount pulled extendedly in accordance with the present design.
FIG. 15 is a rear right perspective view thereof;
FIG. 16 is a right side view thereof; and,
FIG. 17 is an exemplary diagram of the use of the tripod mount for electronic device in accordance with the present design, the broken line being shown depicts environmental subject matter only and forms no part of the claimed design.

(56) **References Cited**

U.S. PATENT DOCUMENTS

6,256,387 B1 * 7/2001 Wang H04M 1/04
379/446
D614,613 S * 4/2010 Kim D14/253
D641,693 S * 7/2011 Akana D13/107
D656,175 S * 3/2012 Fong D16/242
D684,980 S * 6/2013 Chun D14/447
D685,804 S * 7/2013 Richter D14/253
D707,673 S * 6/2014 Lan D14/253
D708,603 S * 7/2014 Kim D14/253
D711,867 S * 8/2014 Harris D14/253
D718,298 S * 11/2014 Aspinall D14/253
D721,074 S * 1/2015 Harris D14/253
D723,042 S * 2/2015 Lee D14/447
D724,072 S * 3/2015 Jiang D14/253

1 Claim, 6 Drawing Sheets



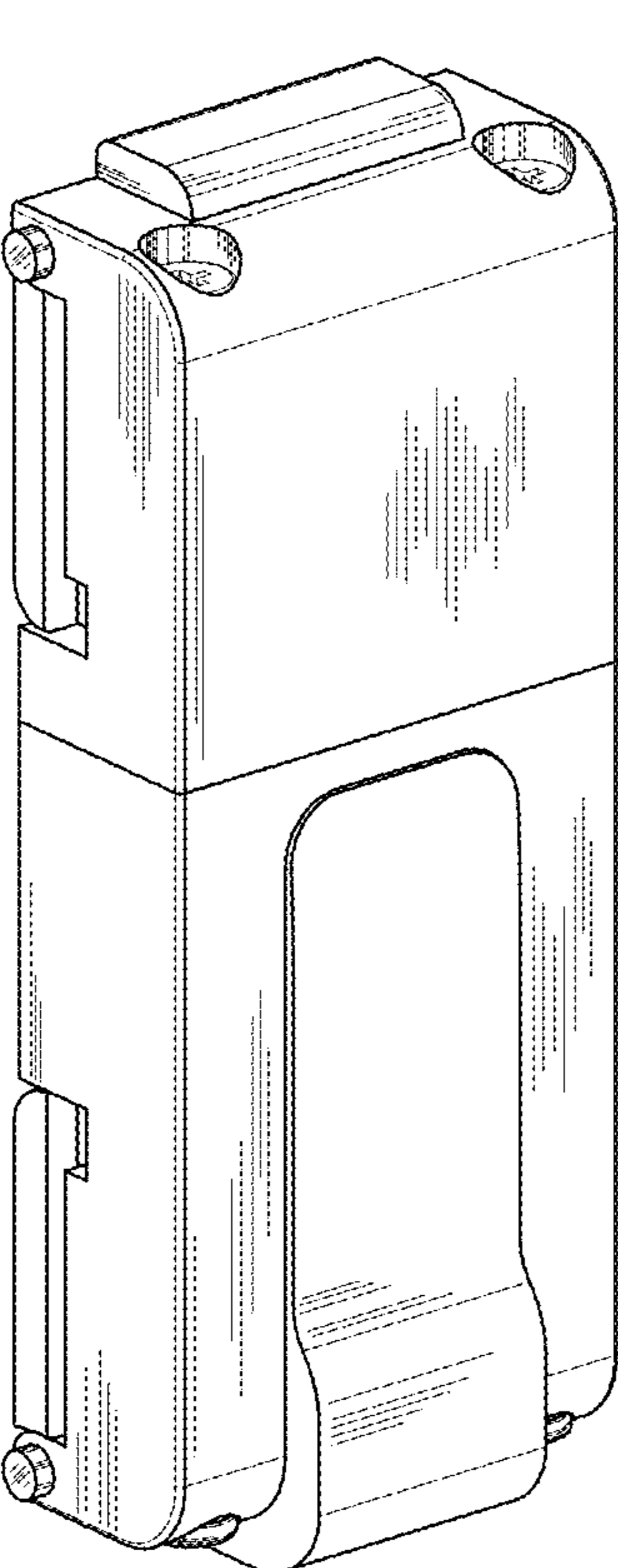


FIG. 1

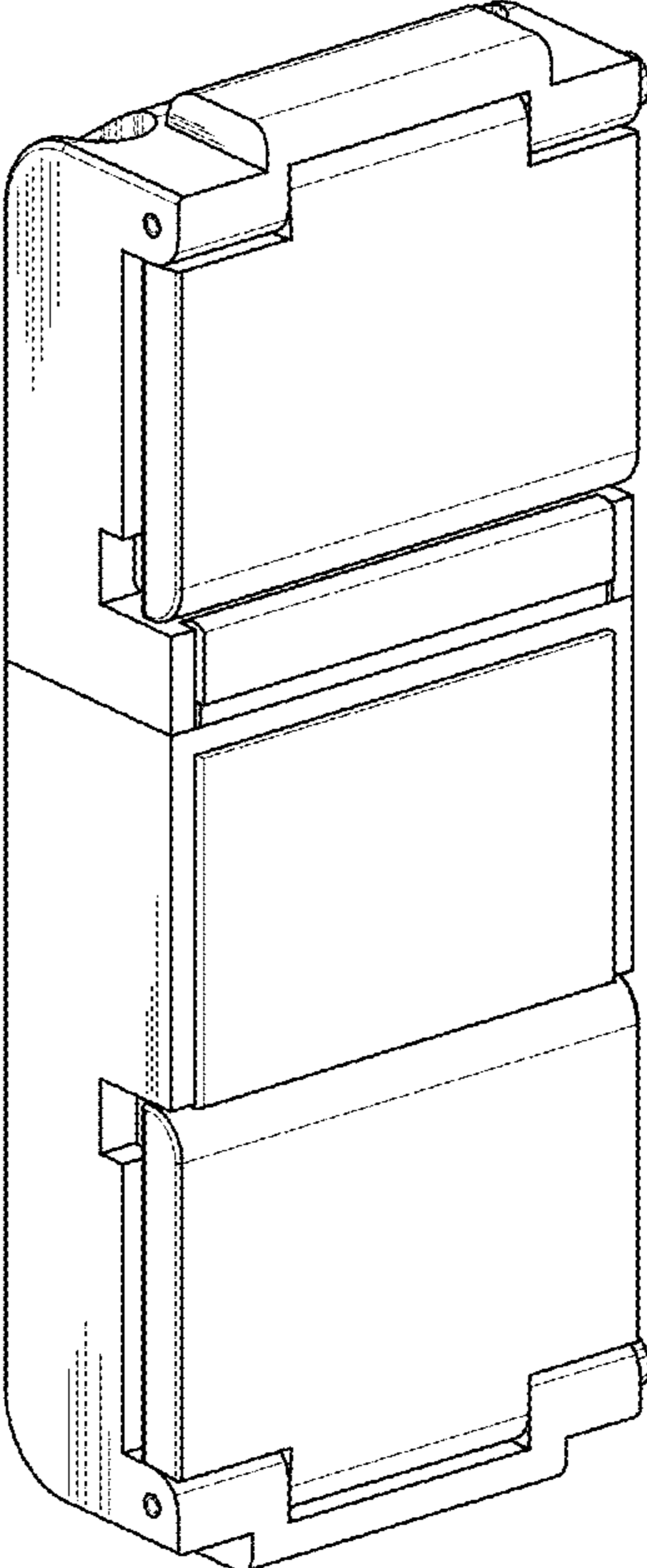


FIG. 2

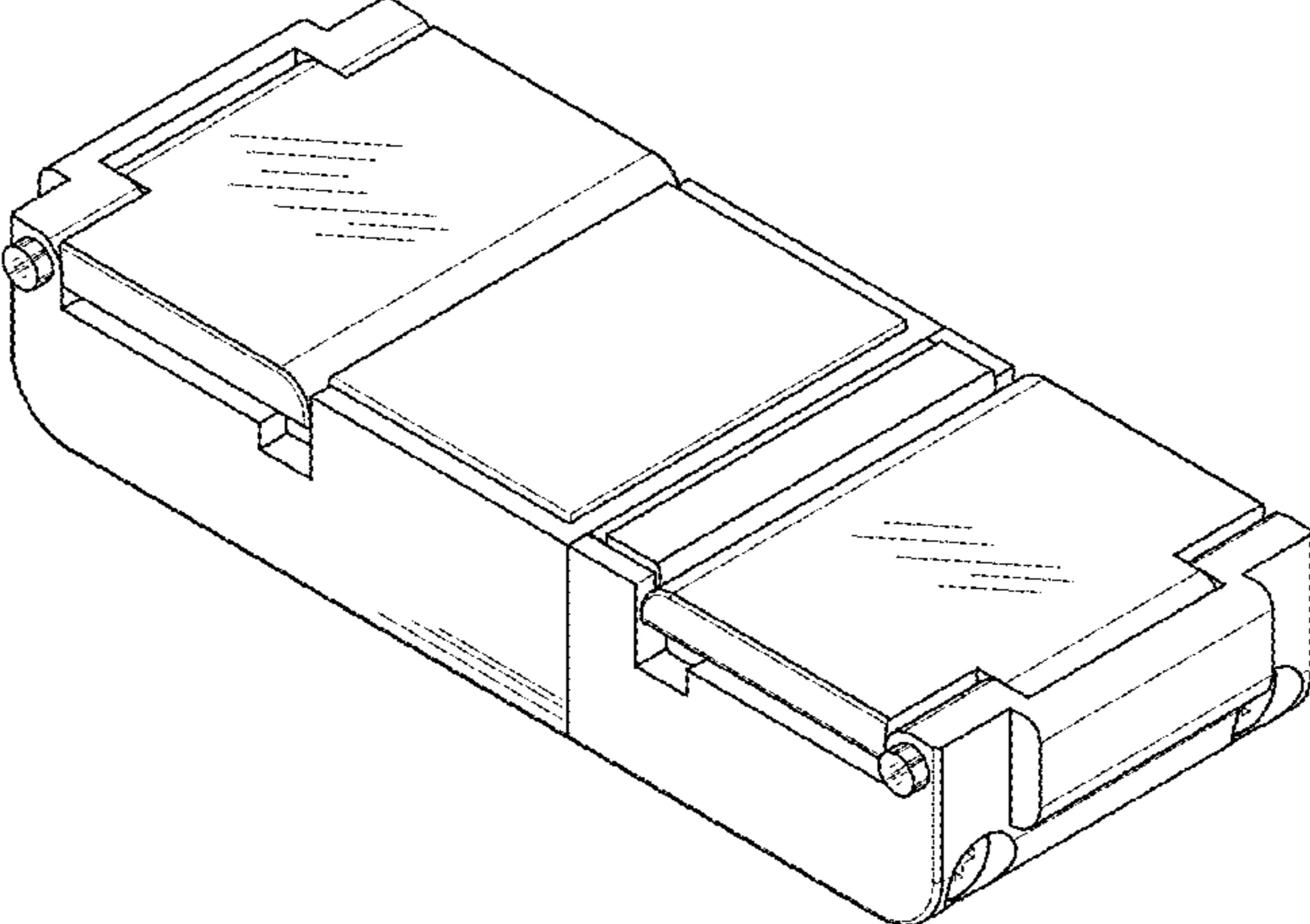


FIG. 3.

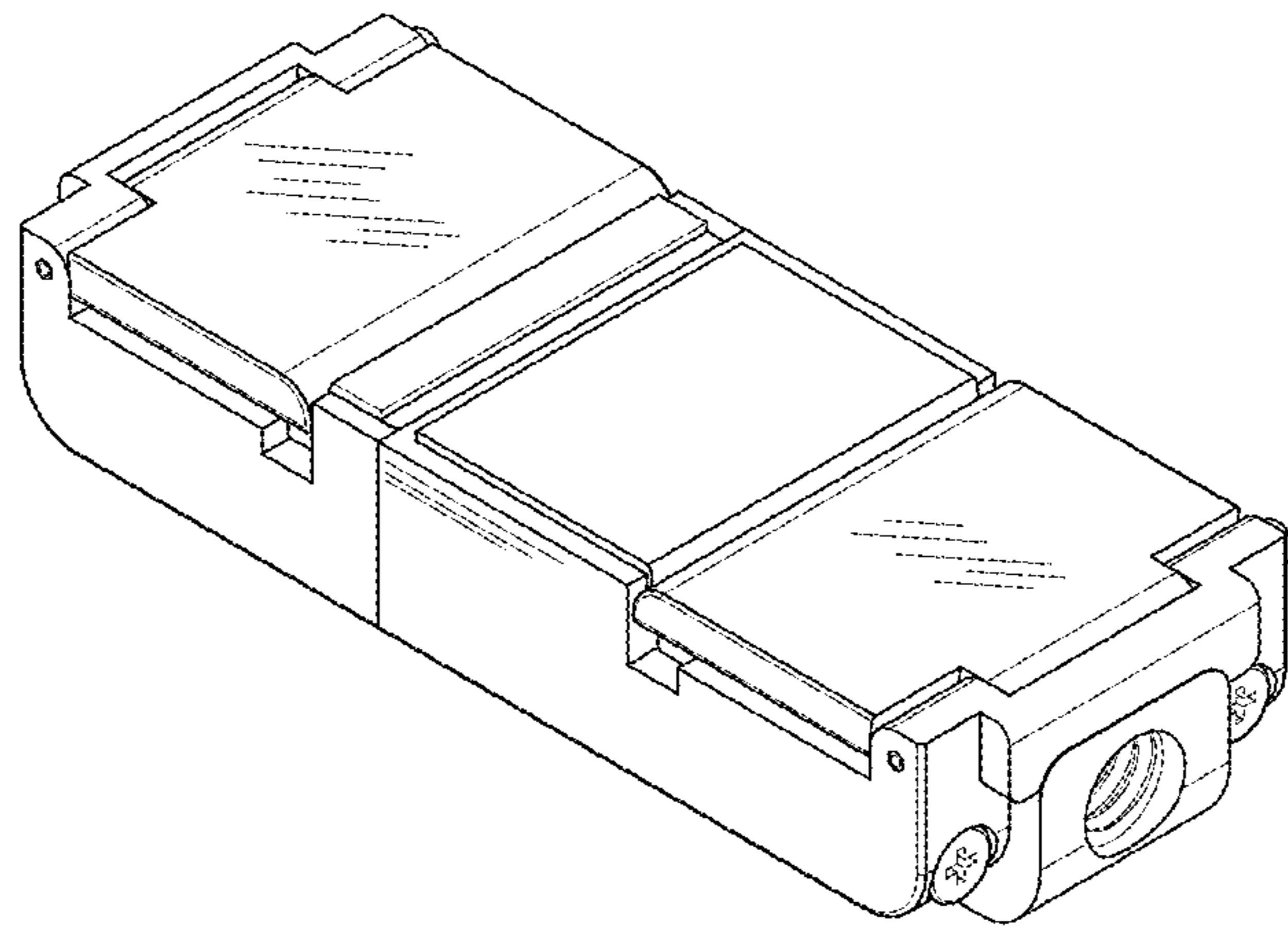


FIG. 4.

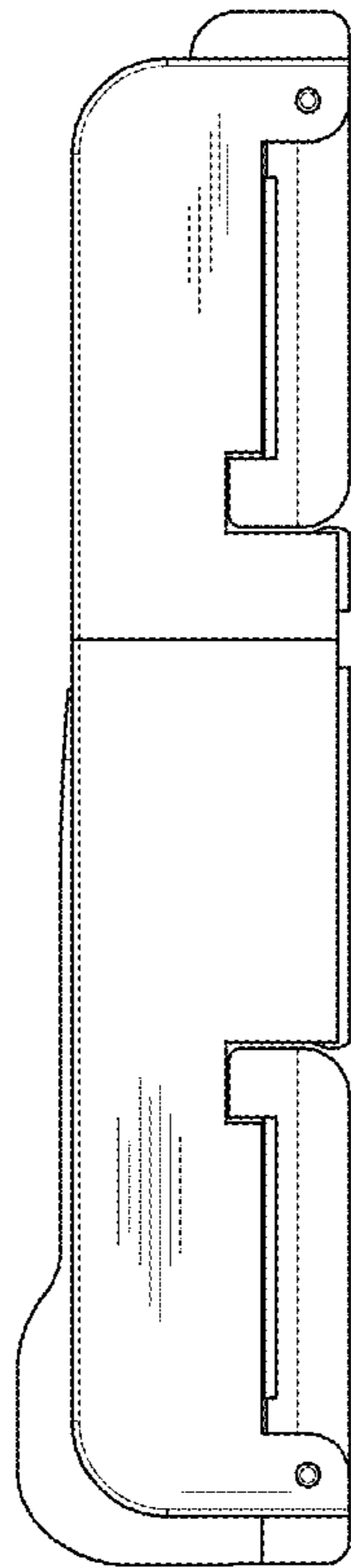


FIG. 5

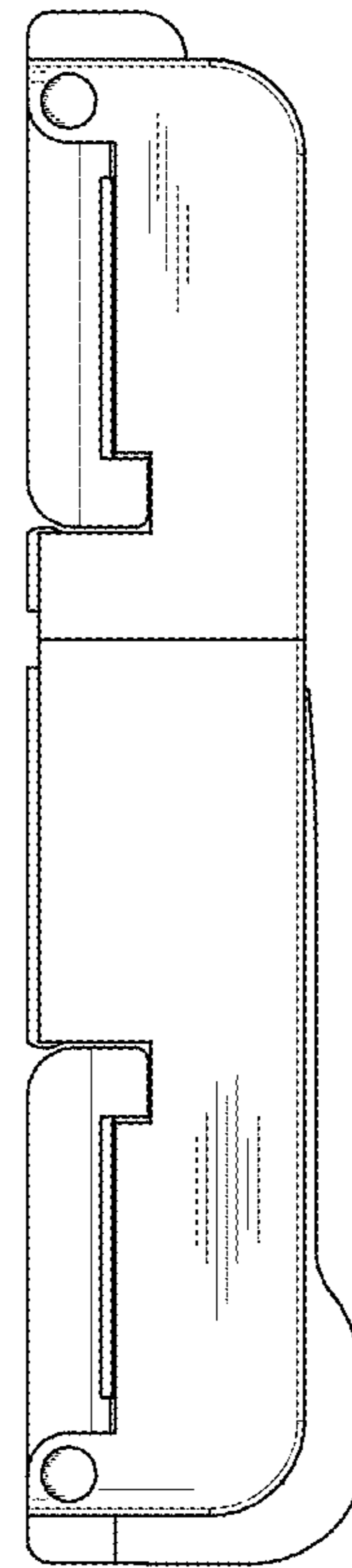


FIG. 6

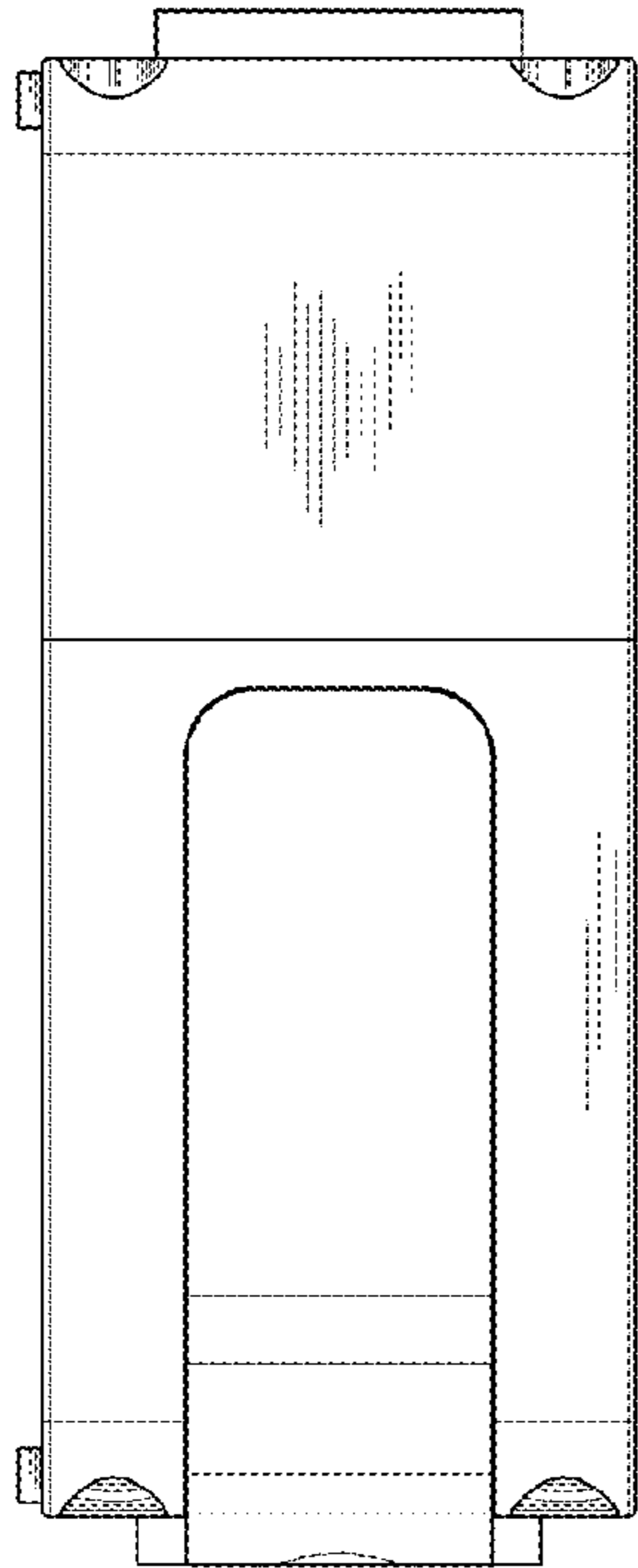


FIG. 7

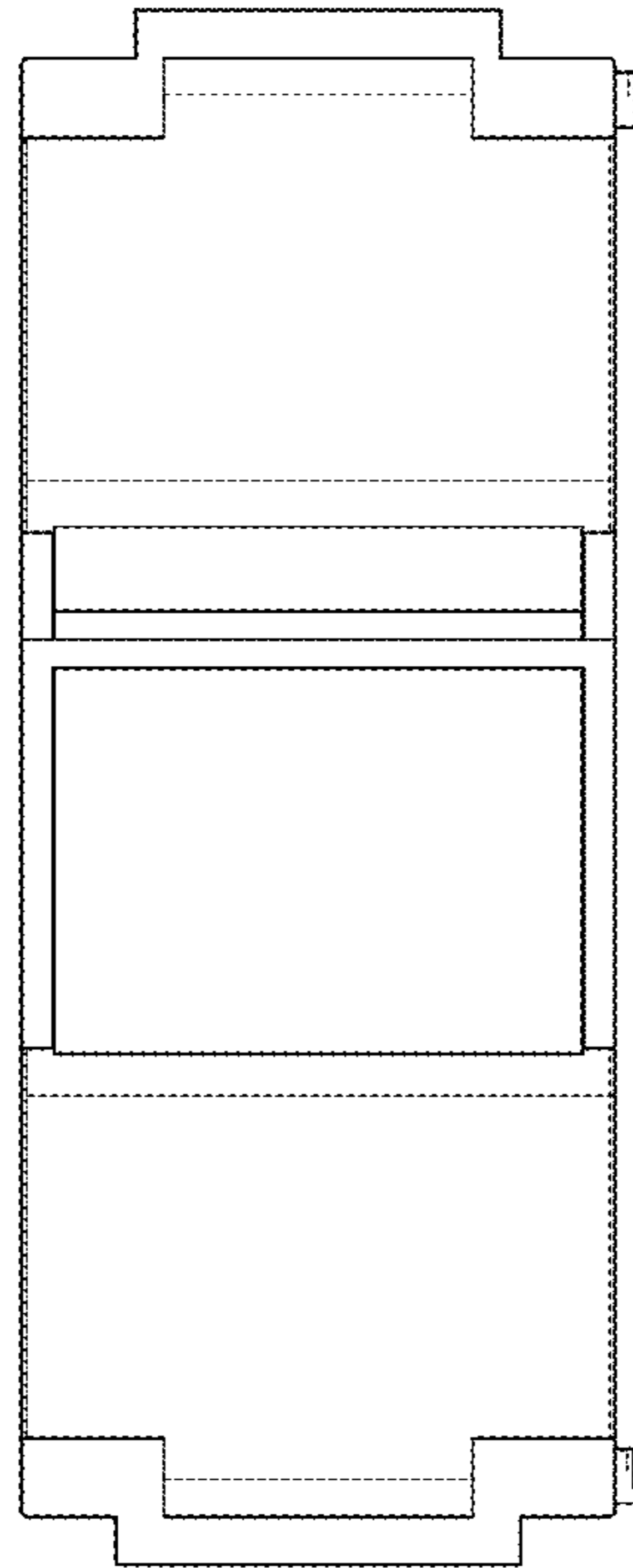


FIG. 8

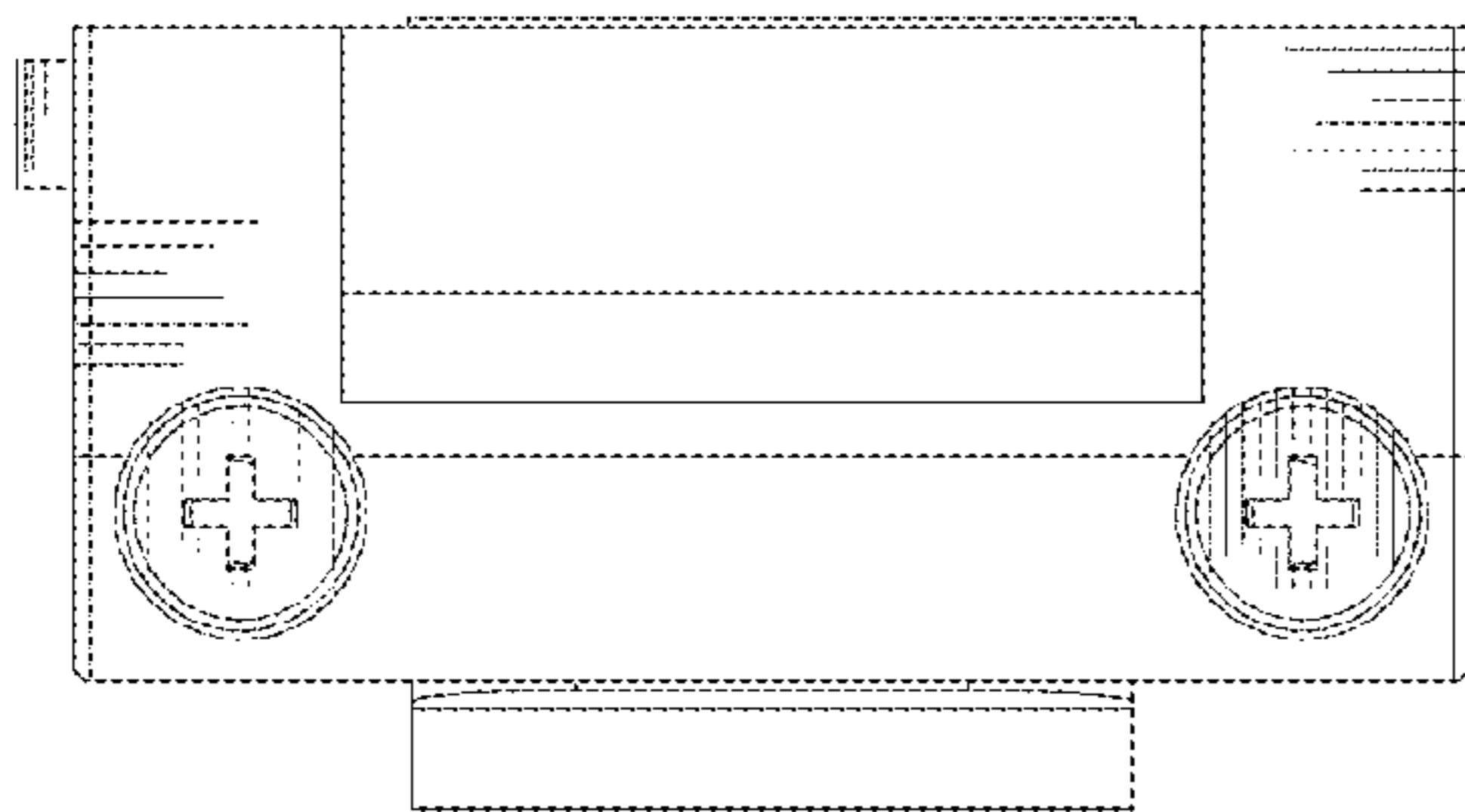


FIG. 9

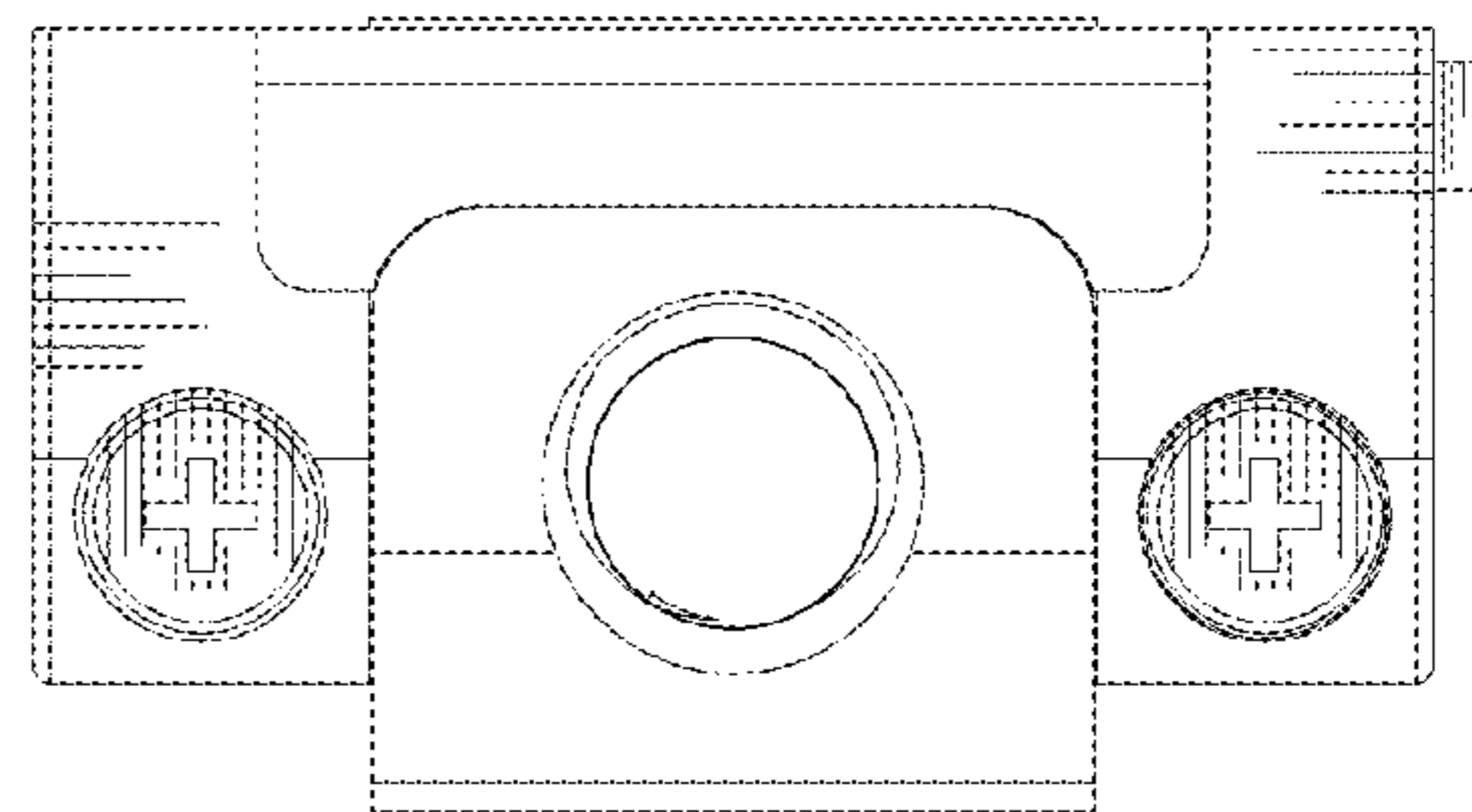


FIG. 10

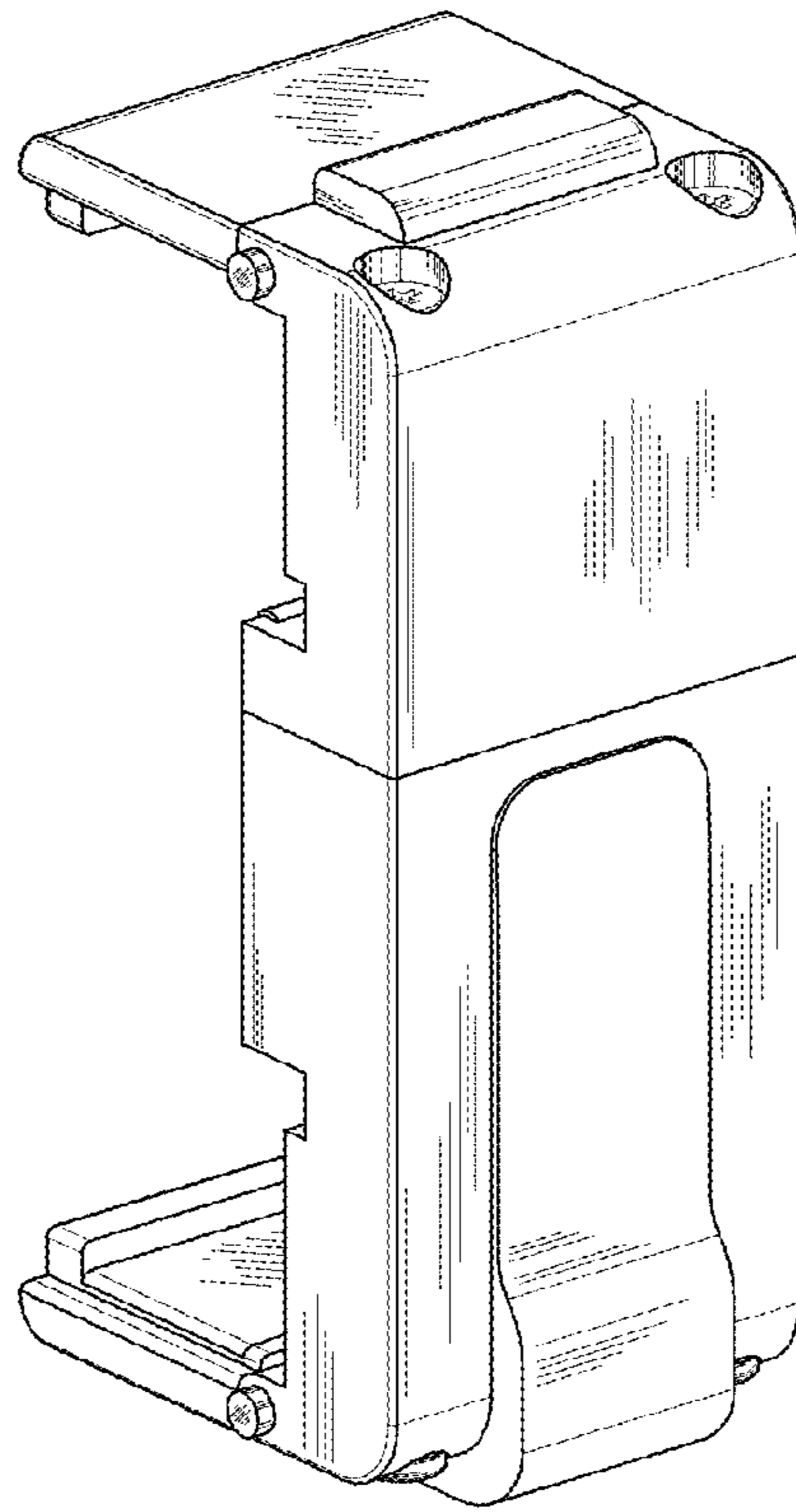


FIG. 11

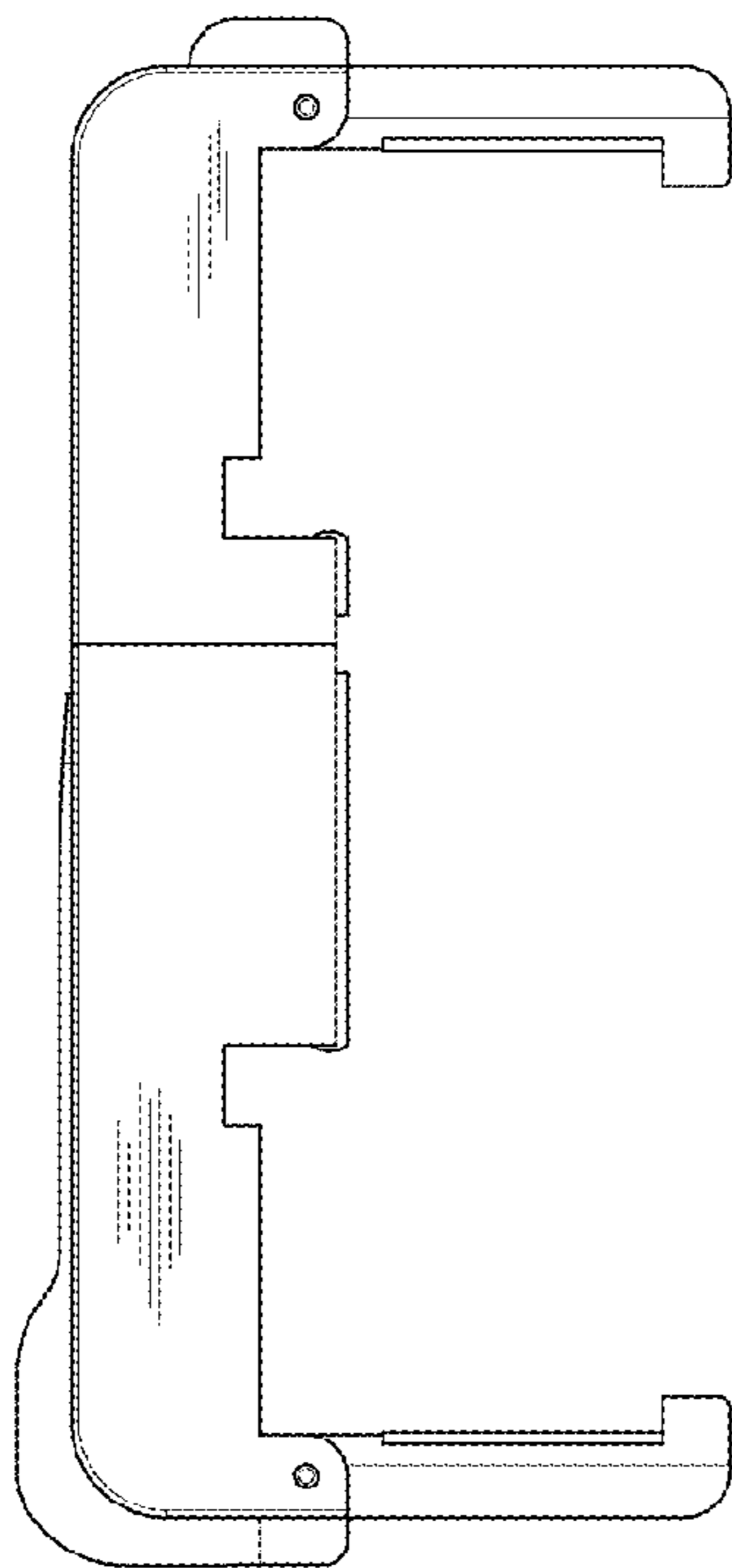


FIG. 12

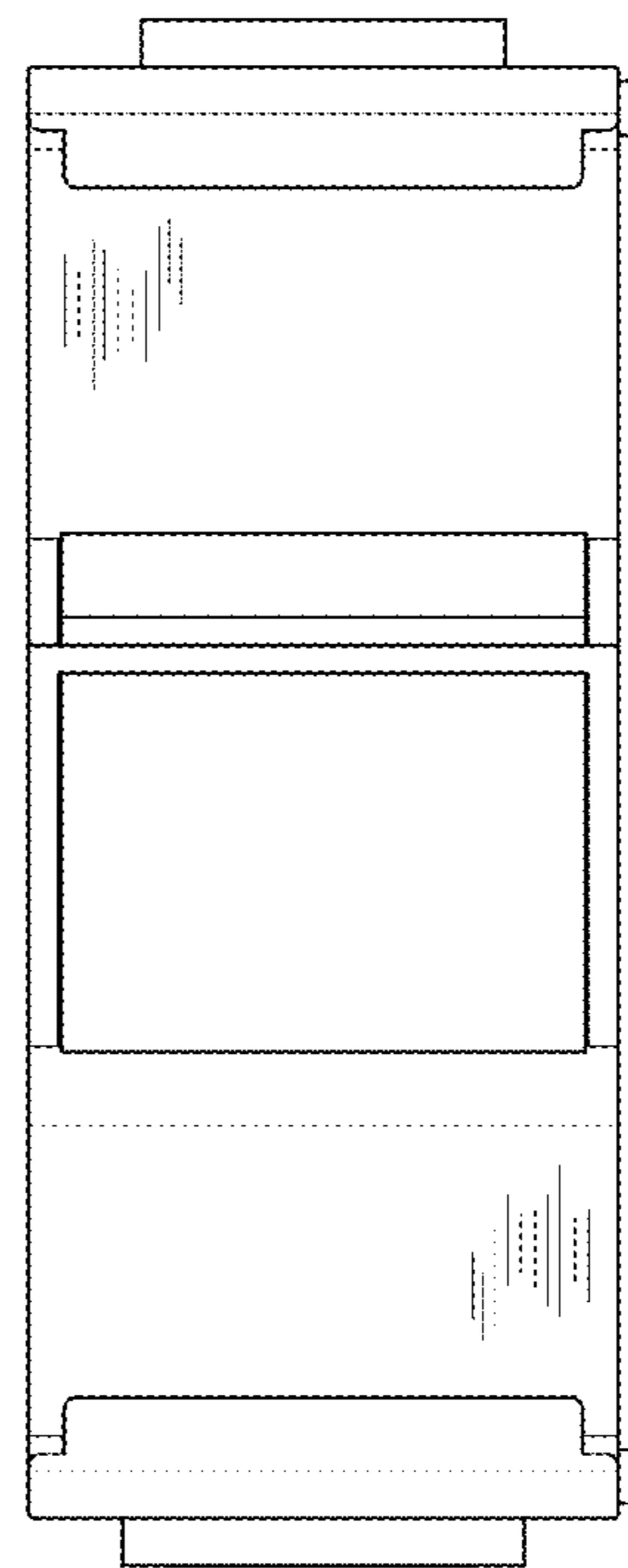


FIG. 13

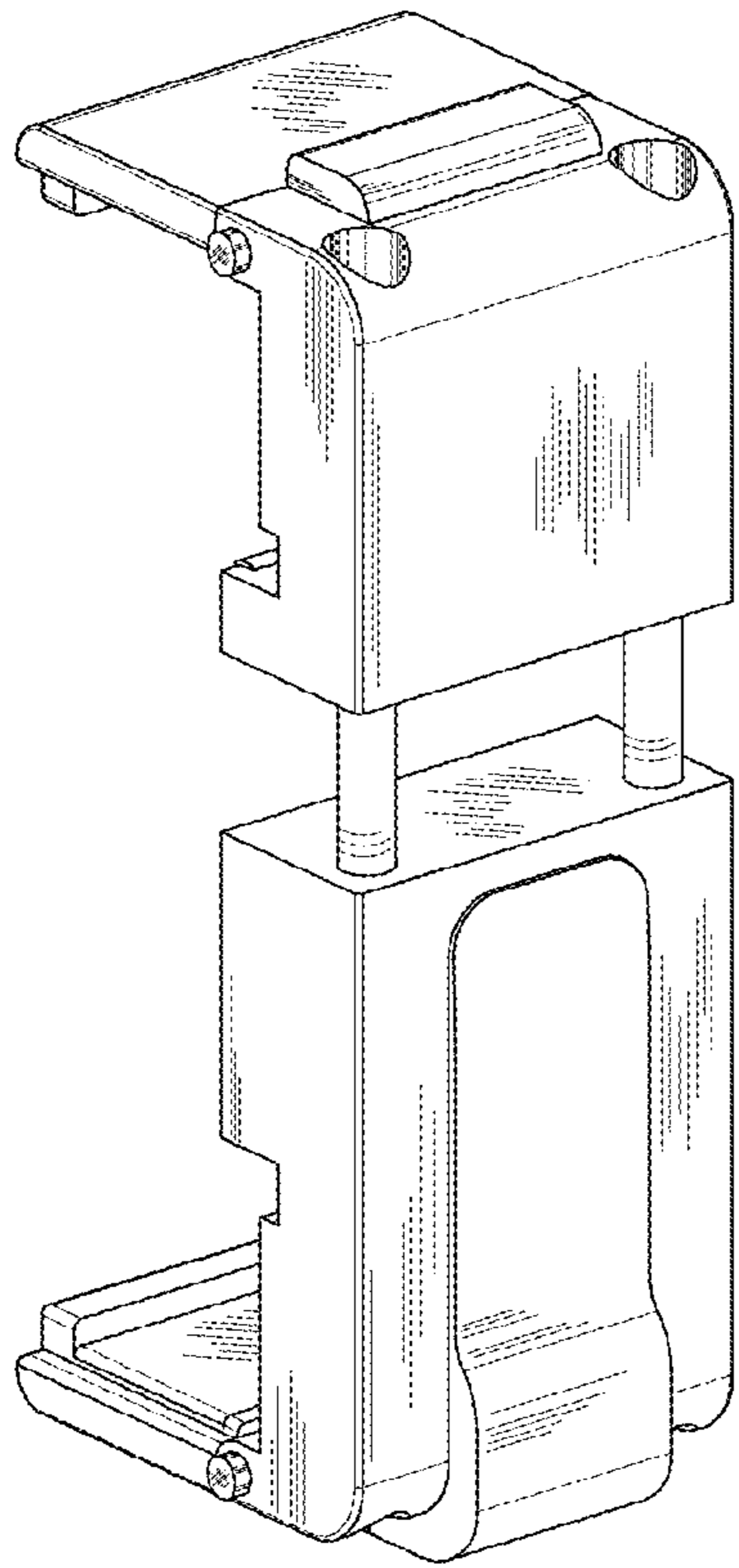


FIG. 14

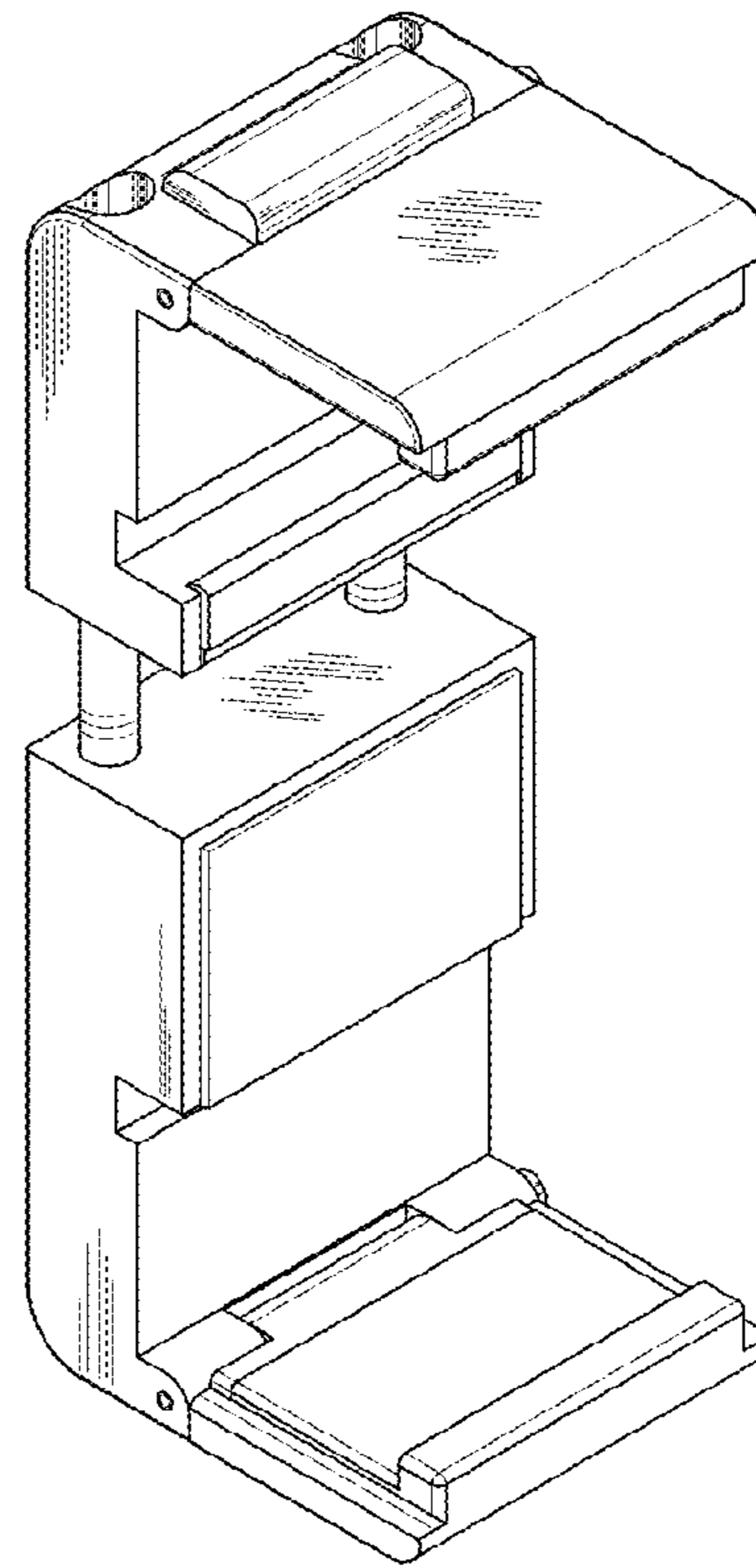


FIG. 15

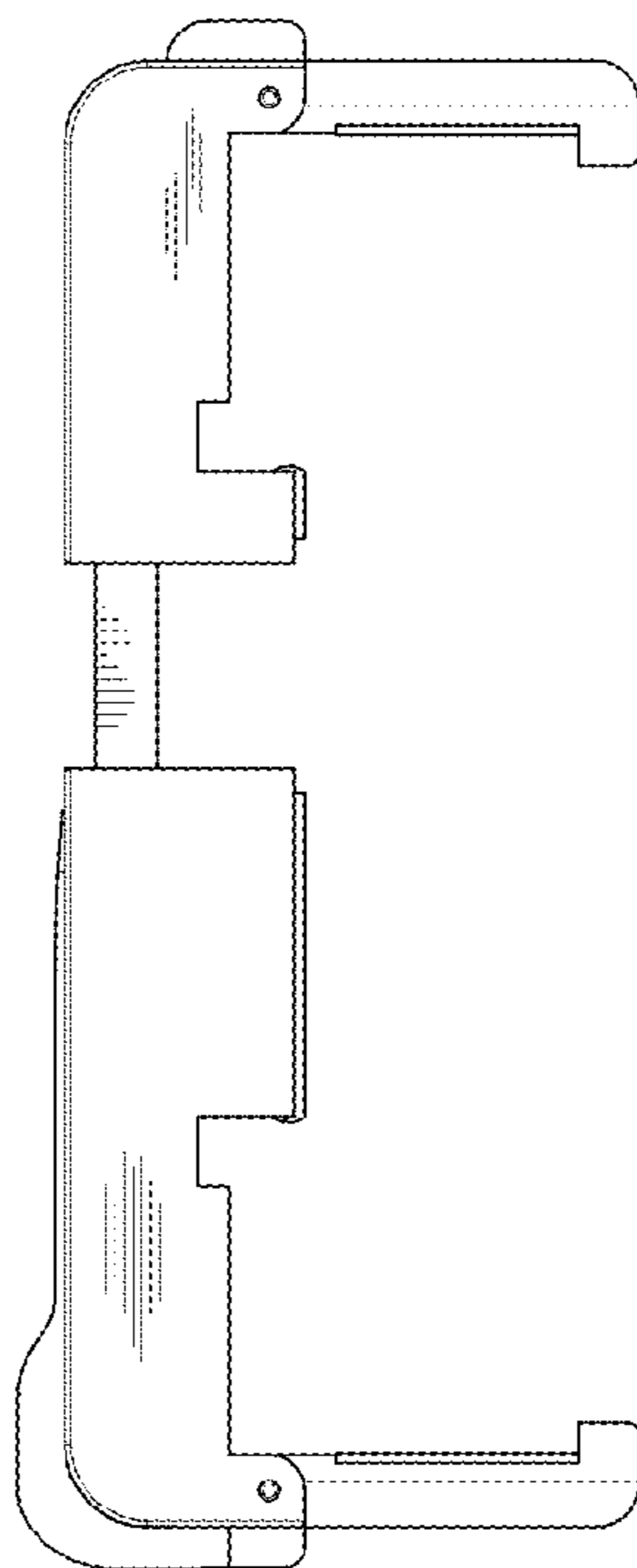


FIG. 16

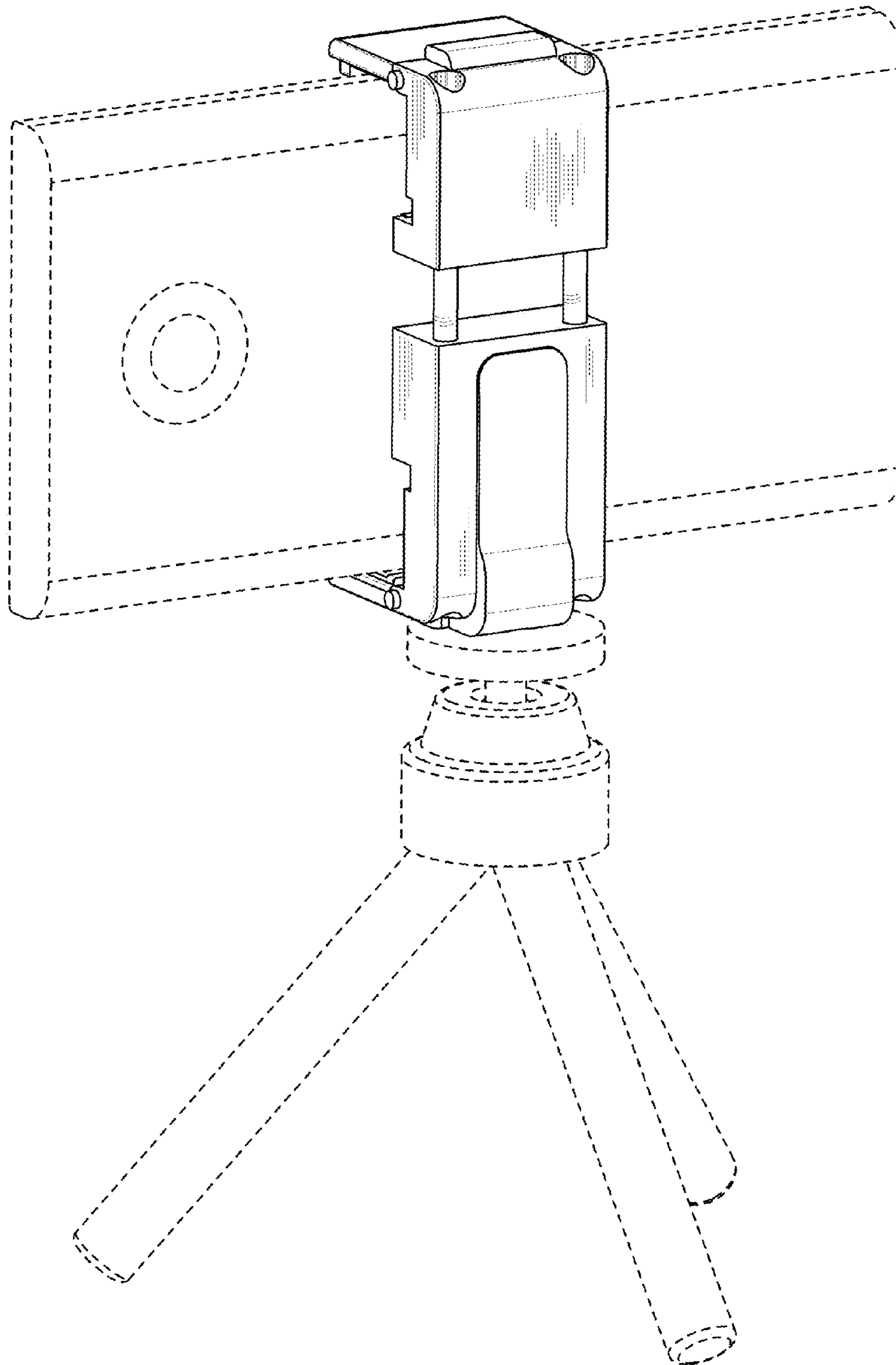


FIG. 17