

US00D744465S

(12) **United States Design Patent**
Lee et al.

(10) **Patent No.:** **US D744,465 S**
(45) **Date of Patent:** **** Dec. 1, 2015**

- (54) **MOBILE PHONE**
- (71) Applicant: **LG ELECTRONICS INC.**, Seoul (KR)
- (72) Inventors: **Seungil Lee**, Seoul (KR); **Sanghyun Choi**, Seoul (KR); **Hophil Lee**, Gyeonggi-do (KR)
- (73) Assignee: **LG Electronics Inc.**, Seoul (KR)
- (**) Term: **14 Years**
- (21) Appl. No.: **29/467,725**
- (22) Filed: **Sep. 23, 2013**
- (30) **Foreign Application Priority Data**

Mar. 29, 2013 (KR) 30-2013-0016278

- (51) **LOC (10) Cl.** **14-03**
- (52) **U.S. Cl.**
USPC **D14/248**

- (58) **Field of Classification Search**
USPC D14/137, 138 R, 138 AA, 138 C, 138 G,
D14/142, 144, 147, 240, 247, 248, 250,
D14/341-347, 496, 138; D13/168; D18/7;
455/90.2, 90.3, 550.1, 556.1, 556.2;
379/433.01
CPC ... H04M 1/02; H04M 1/0202; H04M 1/0206;
H04M 1/0208; H04M 1/021; H04M 1/0212;
H04M 1/0214; H04M 1/0216; H04M 1/0241;
H04M 1/0264; G06F 1/1626
See application file for complete search history.

(56) **References Cited**

U.S. PATENT DOCUMENTS

- D502,173 S * 2/2005 Jung et al. D14/240
- D558,756 S * 1/2008 Andre et al. D14/341
- D608,331 S * 1/2010 Kim et al. D14/138 AC
- D615,062 S * 5/2010 Tsai et al. D14/138 AA
- D623,163 S * 9/2010 Choi et al. D14/138 AA

- D629,772 S * 12/2010 Mo et al. D14/138 G
- D633,460 S * 3/2011 Yi et al. D14/138 G
- D646,248 S * 10/2011 Lee D14/138 G
- D650,350 S * 12/2011 Wong D14/138 G
- D652,813 S * 1/2012 Song et al. D14/138 G
- D656,917 S * 4/2012 Tom et al. D14/138 G
- D657,764 S * 4/2012 Hong D14/138 G
- D664,517 S * 7/2012 Sutherland et al. D14/138 G
- D675,183 S * 1/2013 Suk D14/138 AA
- D675,185 S * 1/2013 Han D14/138 AA
- D675,186 S * 1/2013 Han D14/138 AA
- D676,407 S * 2/2013 Kim D14/138 AA
- D681,032 S * 4/2013 Akana et al. D14/341
- D682,238 S * 5/2013 Park et al. D14/138 AA
- D684,571 S * 6/2013 Akana et al. D14/341
- D686,587 S * 7/2013 Osaki D14/138 AA
- D687,007 S * 7/2013 Son D14/138 AA
- D697,893 S * 1/2014 Kim et al. D14/138 G
- D703,176 S * 4/2014 Yoo et al. D14/138 G
- D703,178 S * 4/2014 Park et al. D14/138 G

(Continued)

Primary Examiner — Sandra Snapp

(74) *Attorney, Agent, or Firm* — Morgan, Lewis & Bockius LLP

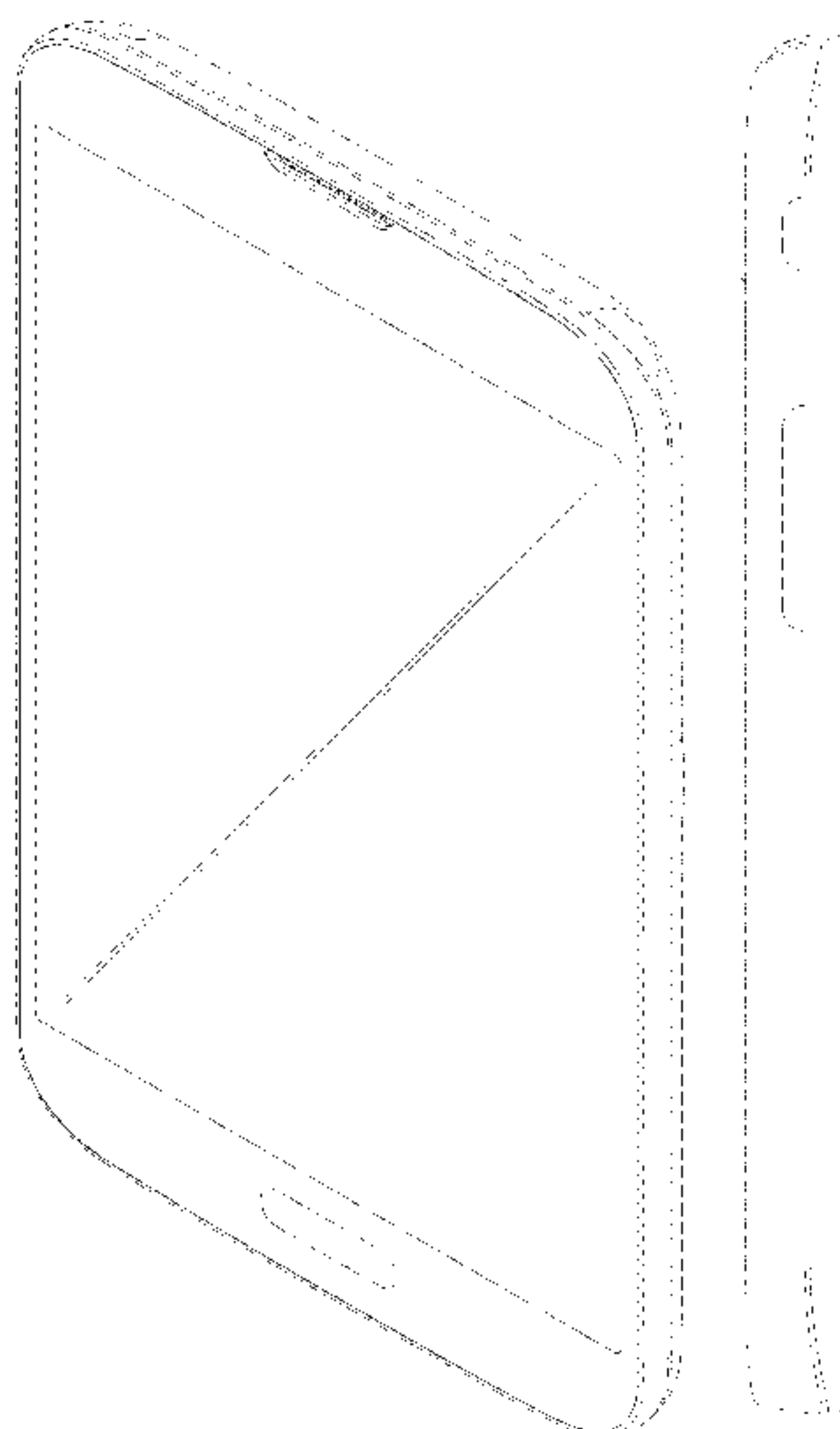
(57) **CLAIM**

The ornamental design for a mobile phone, as shown and described.

DESCRIPTION

FIG. 1 is a perspective view of a mobile phone showing our new design;
 FIG. 2 is a front view thereof;
 FIG. 3 is a rear view thereof;
 FIG. 4 is a left side view thereof;
 FIG. 5 is a right side view thereof;
 FIG. 6 is a top plan view thereof; and,
 FIG. 7 is a bottom plan view thereof.
 The broken lines are for illustrative purposes only and form no part of the claimed design. The dash-dot broken lines define the bounds of the claimed design and form no part thereof.

1 Claim, 6 Drawing Sheets



(56)

References Cited

U.S. PATENT DOCUMENTS

D703,632 S * 4/2014 Lim et al. D14/138 G
D706,237 S * 6/2014 Kim et al. D14/138 G
D706,736 S * 6/2014 Kim et al. D14/138 G
D706,737 S * 6/2014 Kim et al. D14/138 G

D709,475 S * 7/2014 Hirota D14/138 AA
D710,323 S * 8/2014 Harmon et al. D14/138 AA
D710,843 S * 8/2014 Akana et al. D14/341
D713,813 S * 9/2014 Lee D14/138 G
D716,251 S * 10/2014 Choi et al. D14/138 G
D728,559 S * 5/2015 Lim et al. D14/341
D730,860 S * 6/2015 Ryu et al. D14/138 G
* cited by examiner

FIG. 1

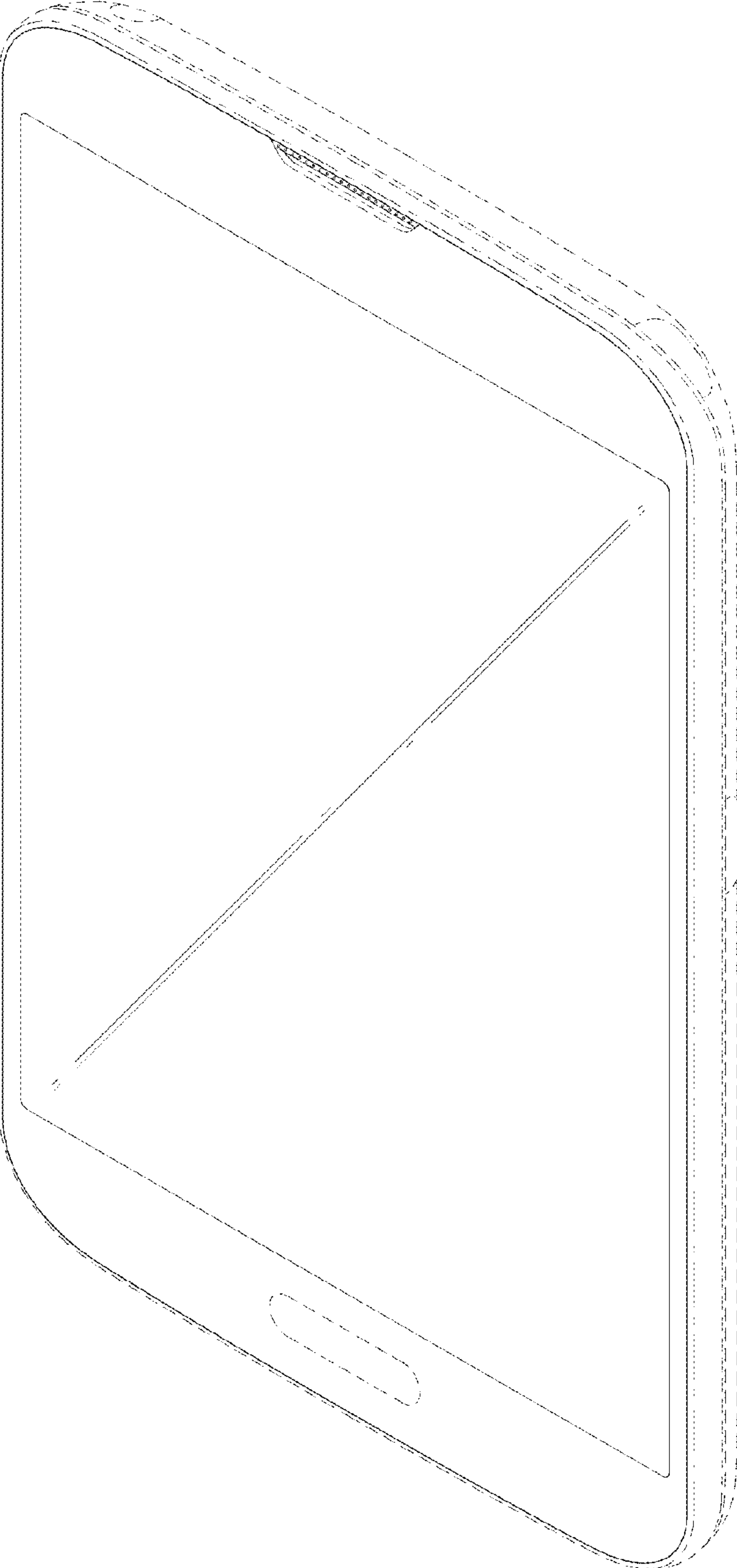


FIG. 2

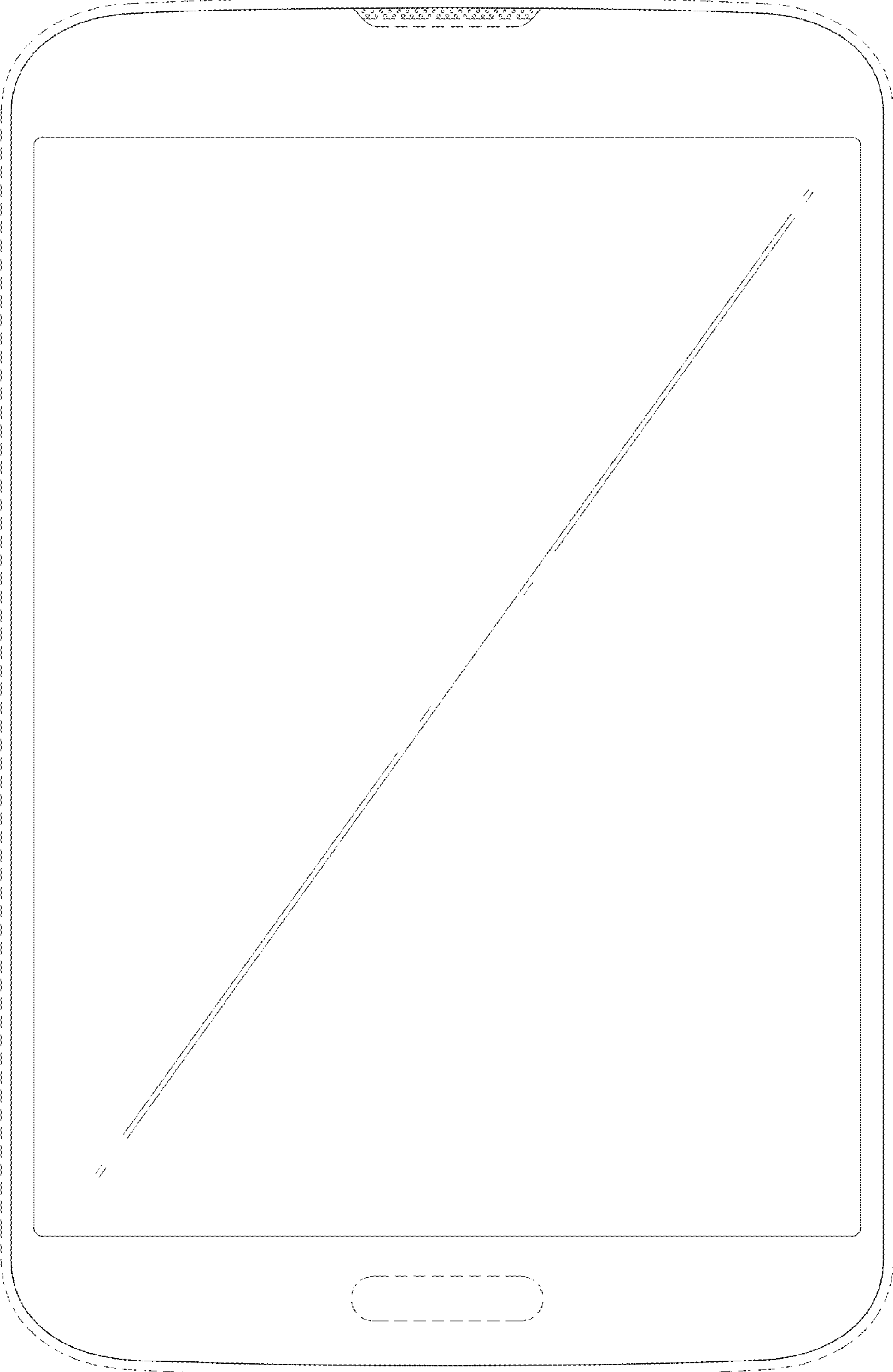


FIG. 3

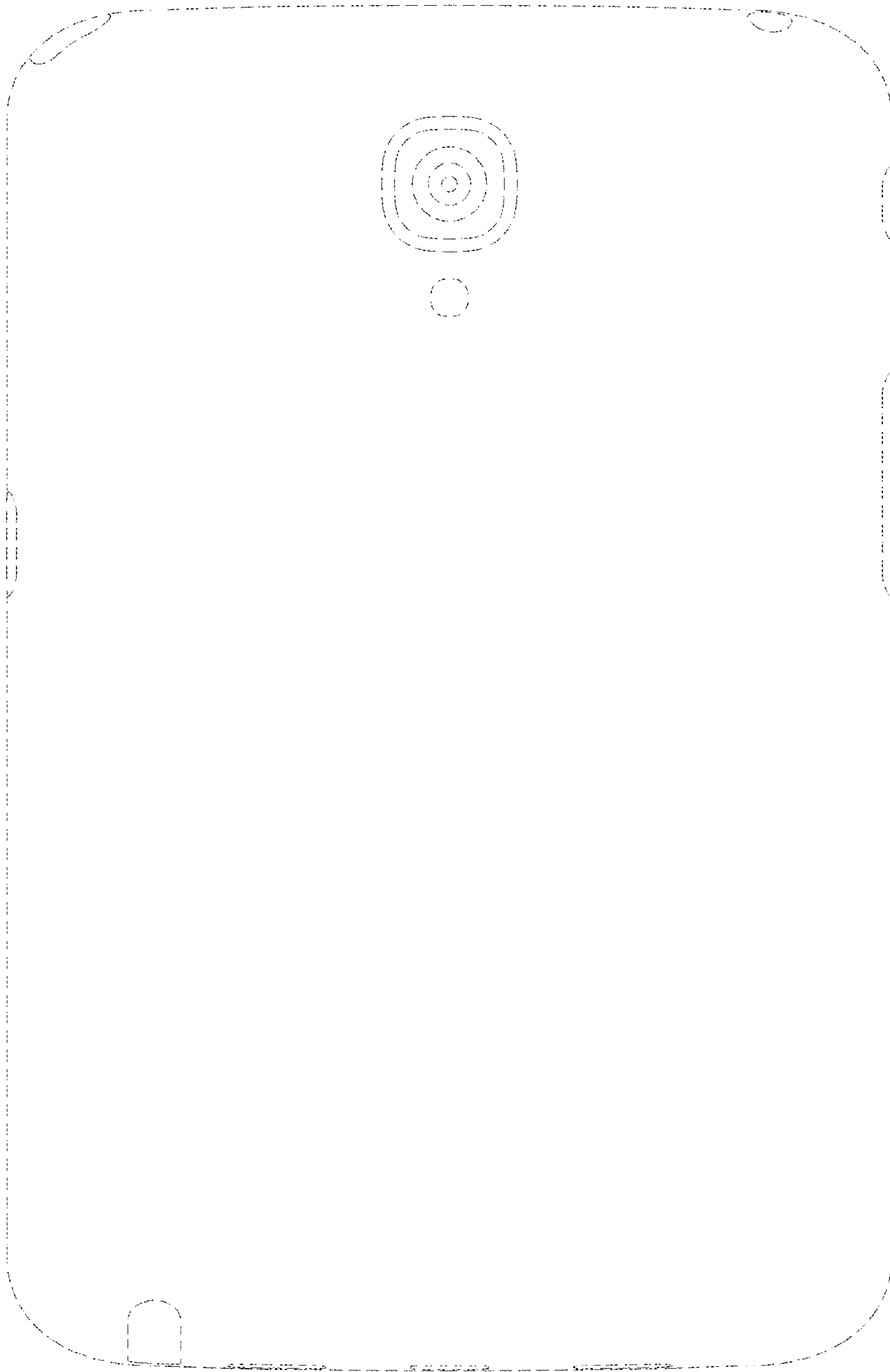


FIG. 4

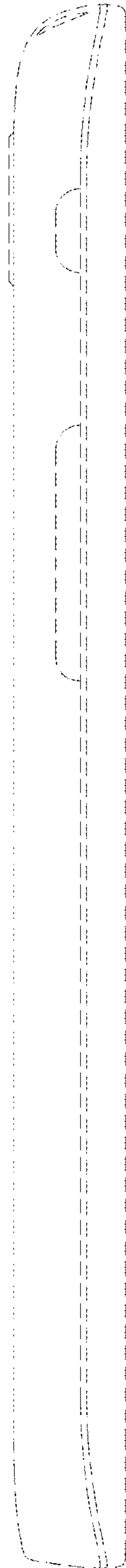


FIG. 5

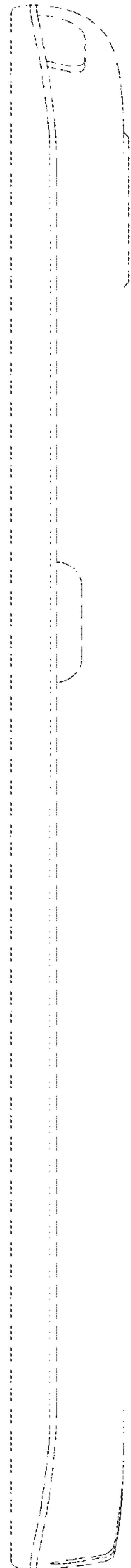


FIG. 6



FIG. 7

