



US00D744464S

(12) **United States Design Patent**  
**Snyder et al.**

(10) **Patent No.:** **US D744,464 S**  
(45) **Date of Patent:** **\*\* Dec. 1, 2015**

(54) **NETWORKING DEVICE AND MOUNTING BRACKET SET**

(71) Applicant: **Cisco Technology, Inc.**, San Jose, CA (US)

(72) Inventors: **Ian Matthew Snyder**, San Francisco, CA (US); **Morgan Davis Teachworth**, Campbell, CA (US); **Benjamin Arthur Calderon**, San Francisco, CA (US); **Sanjit Zubin Biswas**, San Francisco, CA (US)

(73) Assignee: **Cisco Technology, Inc.**, San Jose, CA (US)

(\*\*) Term: **14 Years**

(21) Appl. No.: **29/475,982**

(22) Filed: **Dec. 10, 2013**

(51) **LOC (10) Cl.** ..... **14-03**

(52) **U.S. Cl.**  
USPC ..... **D14/240**

(58) **Field of Classification Search**  
USPC ..... D14/240, 242, 243, 435.1, 357, 358, D14/140-140.9, 155, 137, 139, 348, 349, D14/351, 355, 138 AD; D13/103, 108, 110, D13/147; D10/75  
CPC ..... H04L 12/00; H03K 17/00; H04W 88/00; H04W 88/02; H04W 88/08; H04W 88/085; H04W 88/10; H04W 88/12; H04W 88/14; H04B 1/38

See application file for complete search history.

(56) **References Cited**

**U.S. PATENT DOCUMENTS**

D307,274 S \* 4/1990 Sasaki et al. .... D14/243  
D548,731 S 8/2007 Liu et al.

(Continued)

**OTHER PUBLICATIONS**

Aerohive Networks, "Aerohive AP370 802.11ac Wireless Access Point," product information, retrieved from <http://www.aerohive.com/products/access-points/ap370>, on Dec. 9, 2013, 2 pages.

(Continued)

*Primary Examiner* — Rosemary K Tarcza

*Assistant Examiner* — Sanjeev Paul

(74) *Attorney, Agent, or Firm* — Edell, Shapiro & Finnan LLC

(57) **CLAIM**

The ornamental design for a networking device and mounting bracket set, as shown and described.

**DESCRIPTION**

FIG. 1 is a front perspective view of the networking device and mounting bracket set, showing the networking device separately;

FIG. 2 is a rear perspective view thereof;

FIG. 3 is a top plan view thereof;

FIG. 4 is a bottom plan view thereof;

FIG. 5 is a front elevation view thereof;

FIG. 6 is a rear elevation view thereof;

FIG. 7 is a side elevation view thereof;

FIG. 8 is a side elevation view thereof;

FIG. 9 is a front perspective view of a mounting bracket for the networking device, showing the mounting bracket separately;

FIG. 10 is a rear perspective view thereof;

FIG. 11 is a top plan view thereof;

FIG. 12 is a bottom plan view thereof;

FIG. 13 is a front elevation view thereof;

FIG. 14 is a rear elevation view thereof;

FIG. 15 is a side elevation view thereof;

FIG. 16 is a side elevation view thereof;

FIG. 17 is a front perspective view of the networking device and mounting bracket set, showing the networking device attached to the mounting bracket;

FIG. 18 is a rear perspective view thereof;

FIG. 19 is a top plan view thereof;

FIG. 20 is a bottom plan view thereof;

FIG. 21 is a front elevation view thereof;

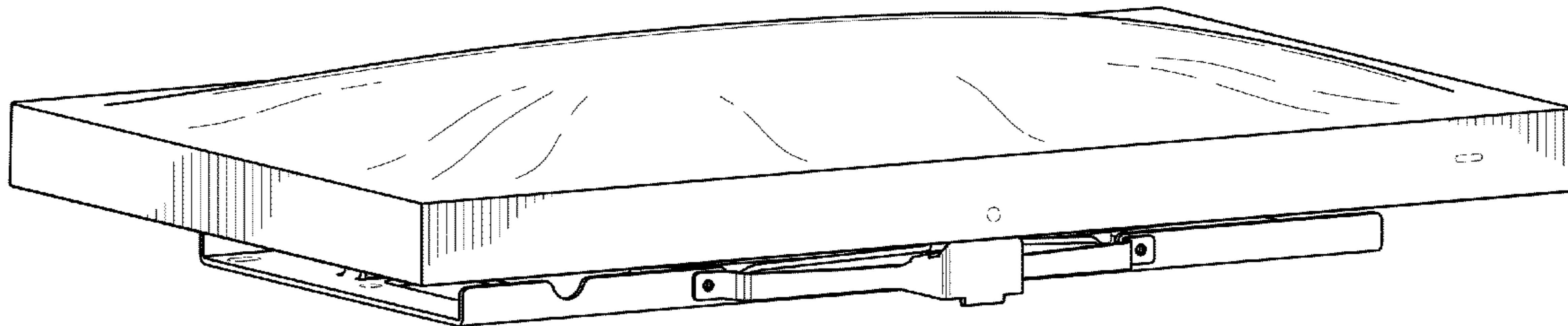
FIG. 22 is a rear elevation view thereof;

FIG. 23 is a side elevation view thereof; and,

FIG. 24 is a side elevation view thereof.

Any portions shown using dashed lines are for illustrative purposes only and form no part of the claimed design.

**1 Claim, 18 Drawing Sheets**



(56)

**References Cited**

U.S. PATENT DOCUMENTS

D559,841 S 1/2008 Liu et al.  
D575,280 S 8/2008 Marquez  
D596,168 S 7/2009 Houdek, II  
D596,635 S 7/2009 Owens et al.  
D598,436 S \* 8/2009 Tseng ..... D14/240  
D602,020 S 10/2009 Haspil et al.  
D607,443 S 1/2010 Klein et al.  
D629,785 S \* 12/2010 Yachida et al. .... D14/167  
D651,103 S 12/2011 Greenberg et al.  
D674,787 S 1/2013 Tsuda et al.  
D674,788 S 1/2013 Tsuda et al.  
D688,662 S \* 8/2013 Gomez ..... D14/348

D716,772 S \* 11/2014 Cavero et al. .... D14/225  
D718,762 S \* 12/2014 Aarrestad et al. .... D14/255  
D733,542 S \* 7/2015 Cannaverde ..... D8/380

OTHER PUBLICATIONS

Cisco, "Access Points," product information, retrieved from [http://www.cisco.com/en/US/products/ps5678/Products\\_Sub\\_Category\\_Home.html](http://www.cisco.com/en/US/products/ps5678/Products_Sub_Category_Home.html), on Dec. 9, 2013, 2 pages.  
Ubiquiti Networks, "Unifi: Unified Wi-Fi Management Scale to thousands," product information, retrieved from <http://www.ubnt.com/unifi>, on Dec. 9, 2013, 2 pages.  
Aruba Networks, "Wireless LAN," product information, retrieved from <http://www.arubanetworks.com/products/wireless-lan/>, on Dec. 9, 2013, 3 pages.

\* cited by examiner



FIG.1

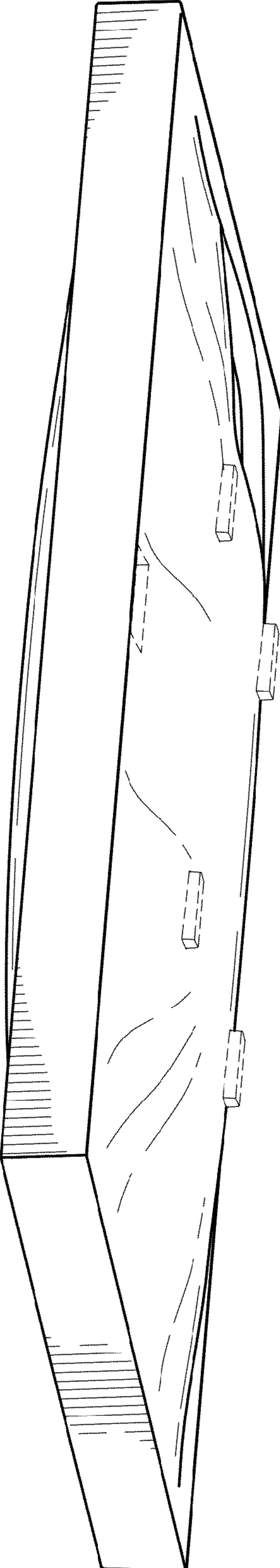


FIG.2

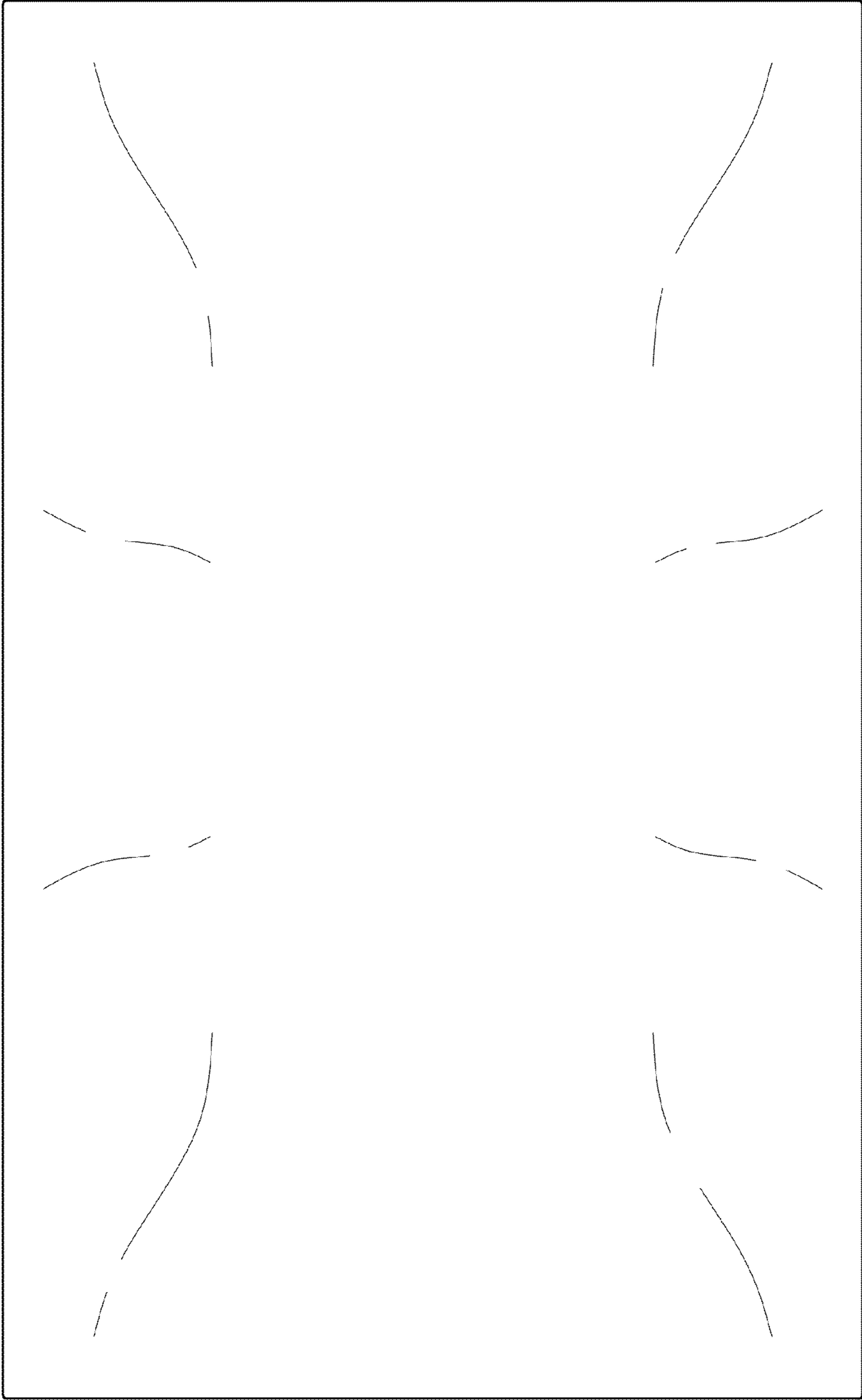


FIG.3

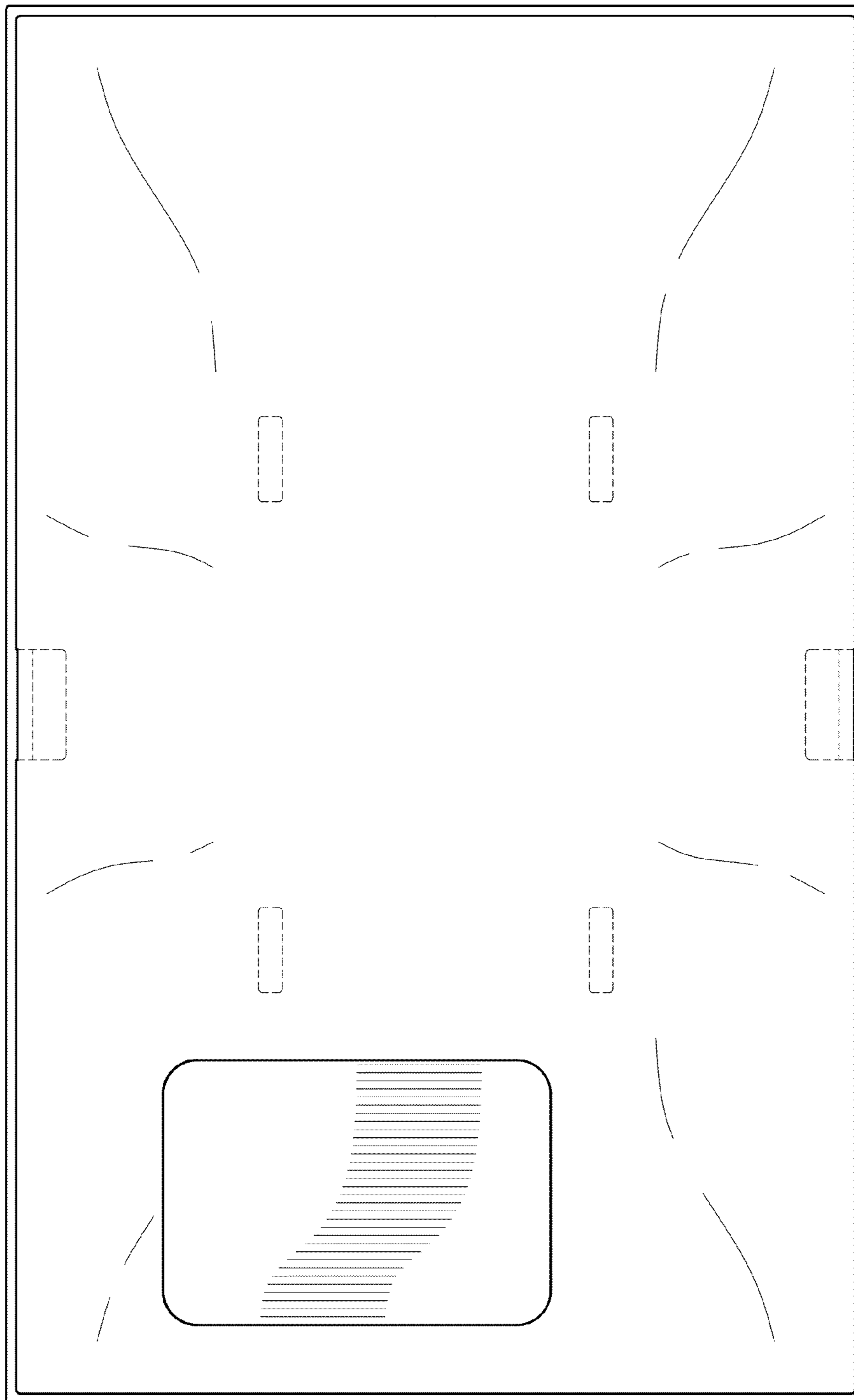


FIG. 4



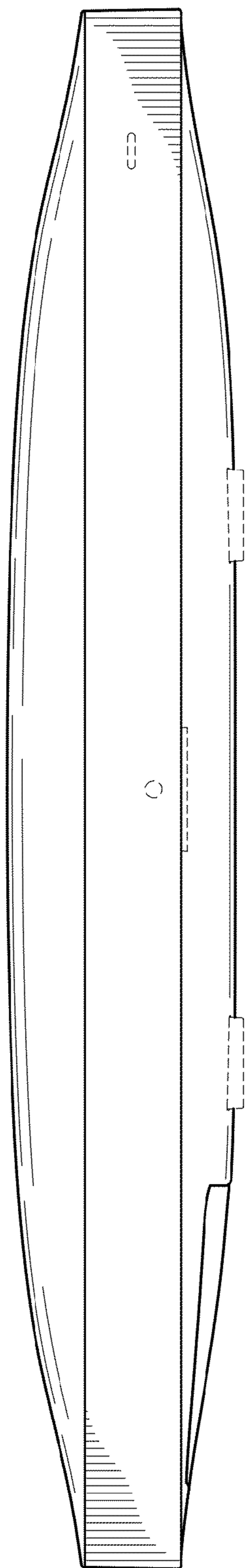


FIG. 5

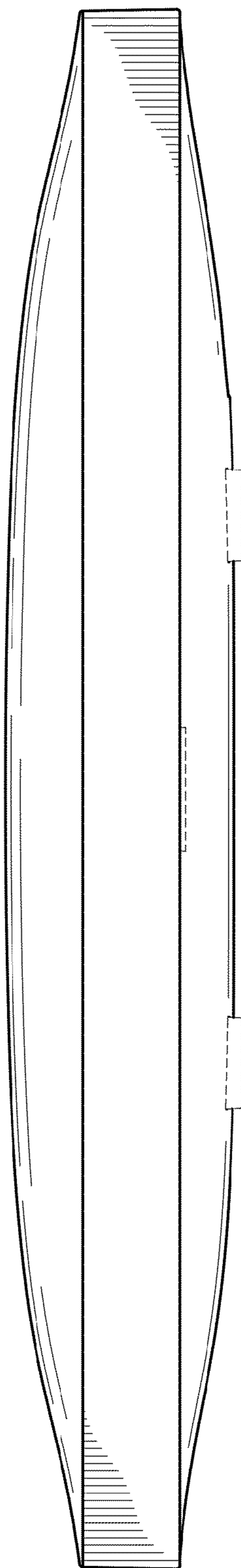


FIG. 6

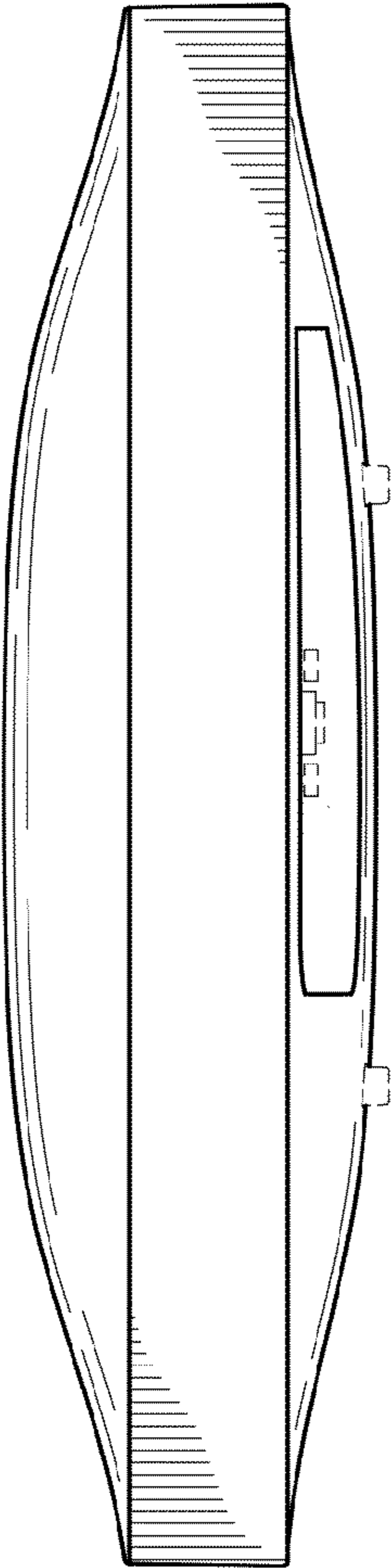


FIG. 7

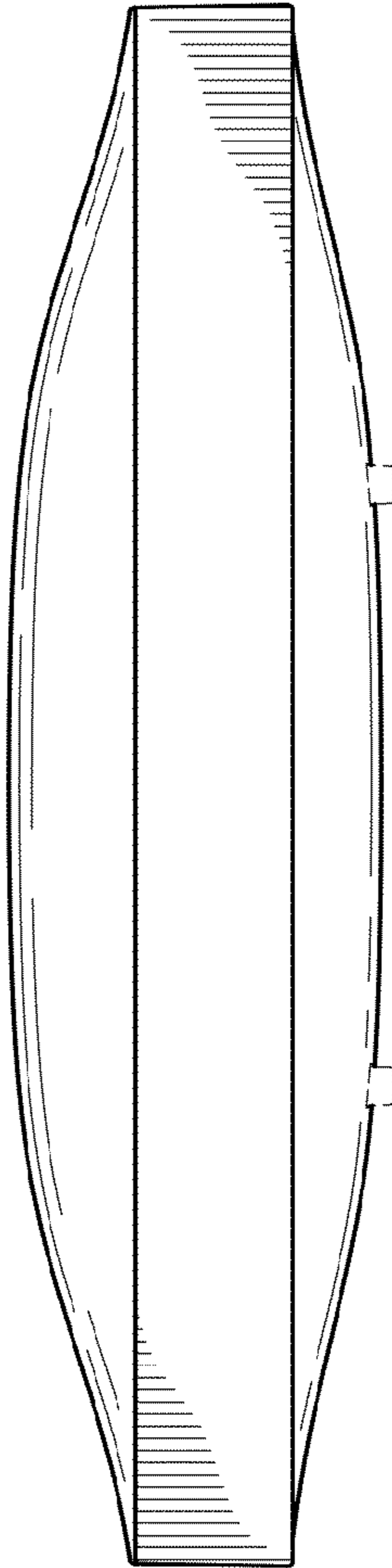


FIG. 8



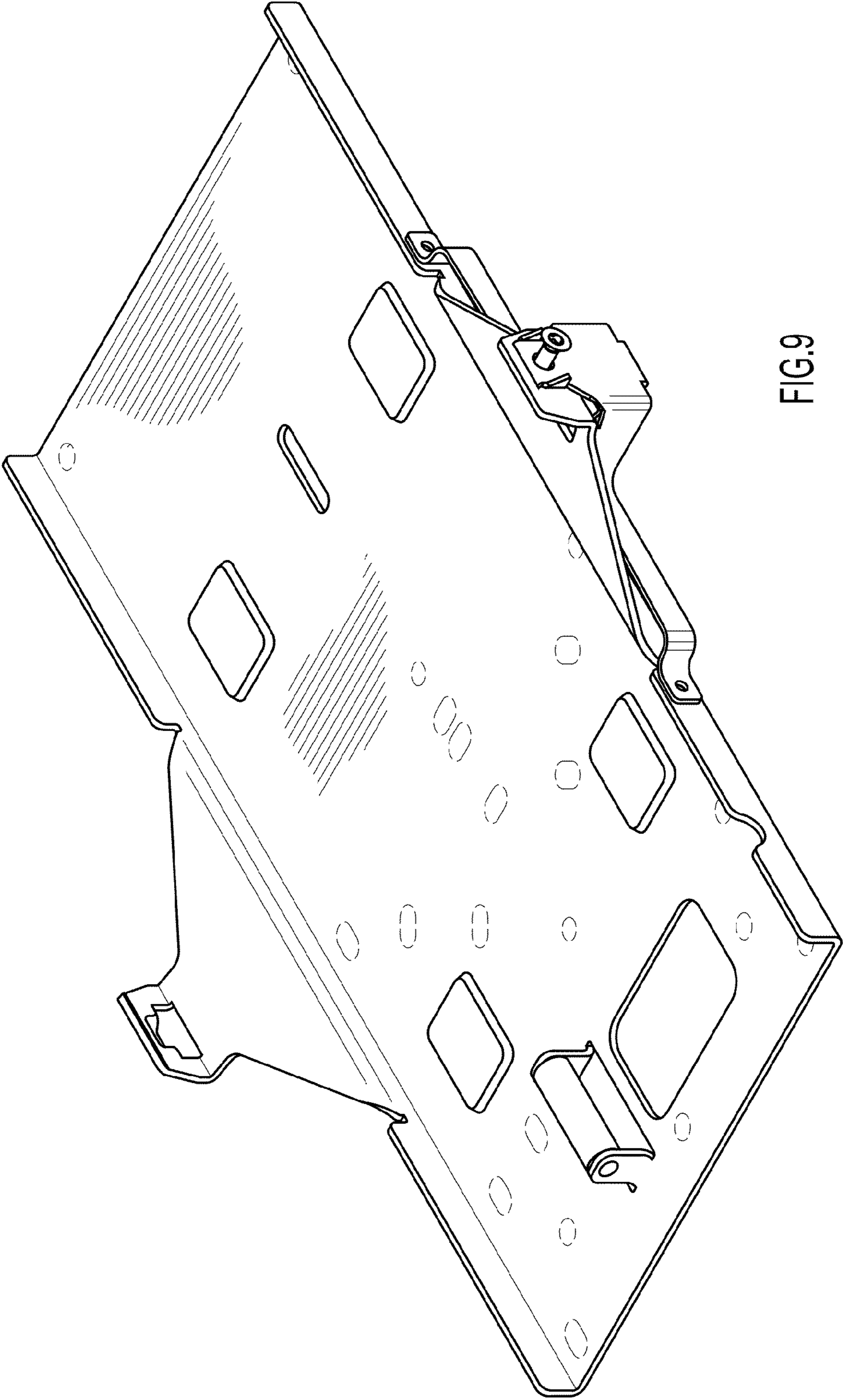


FIG.9

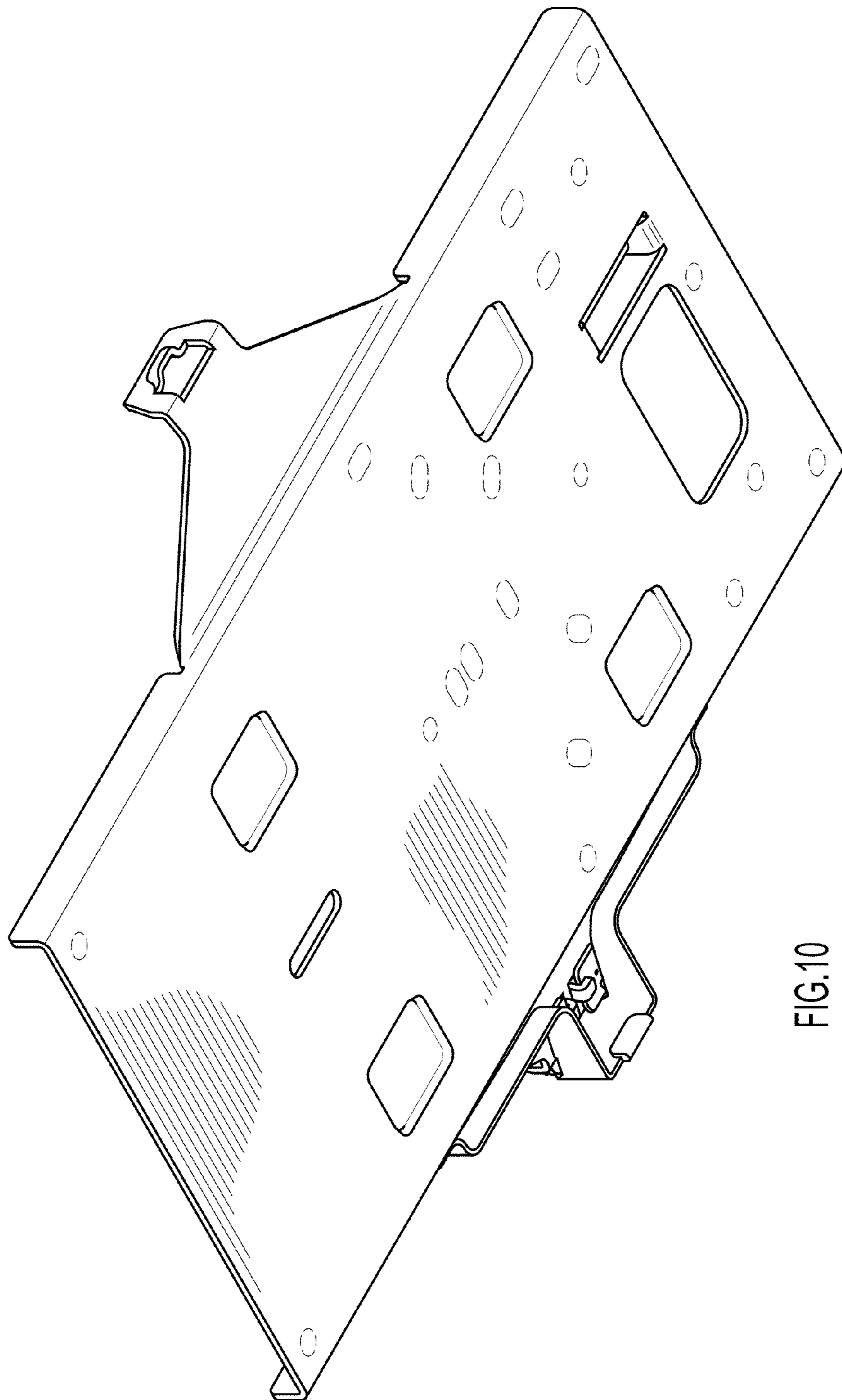
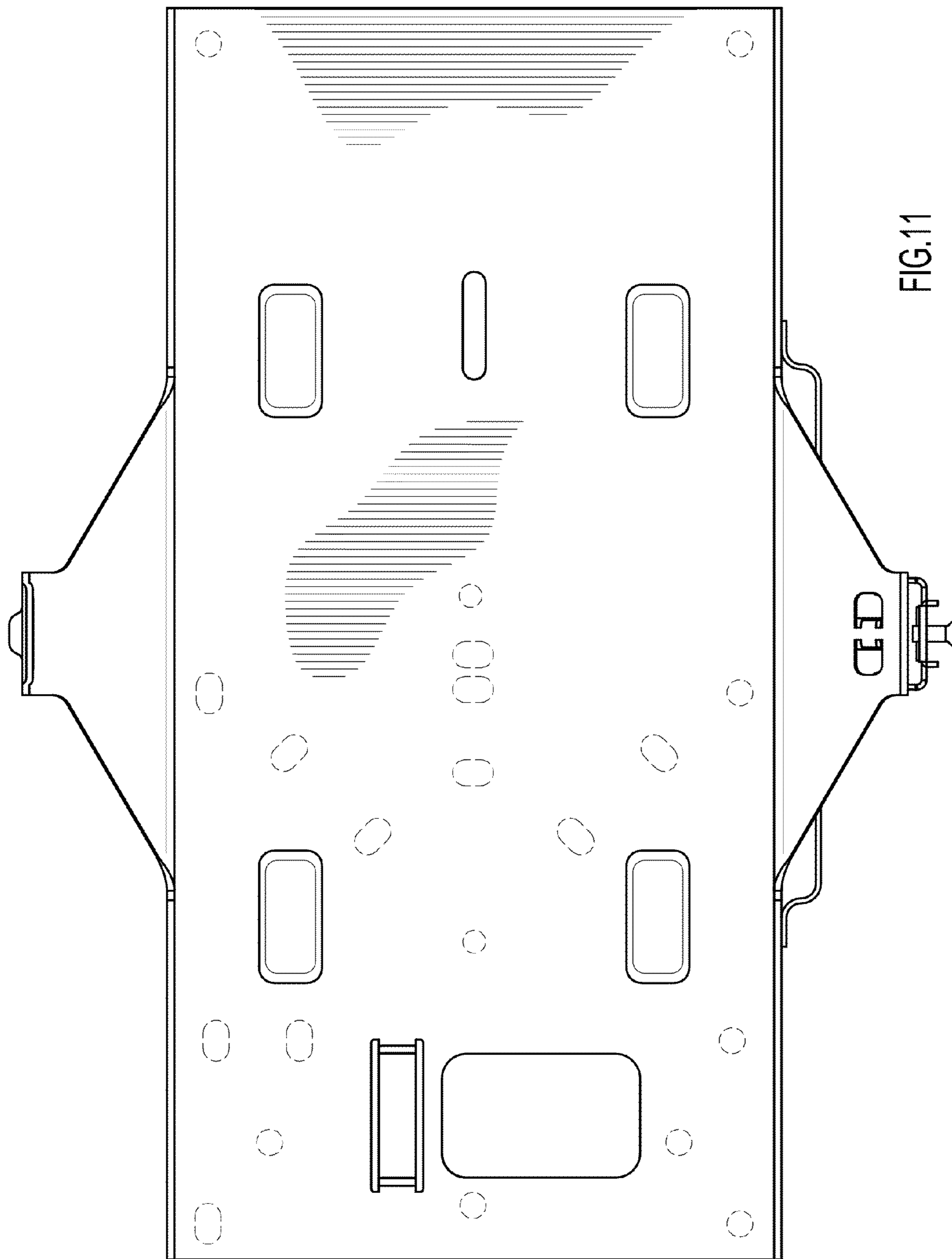
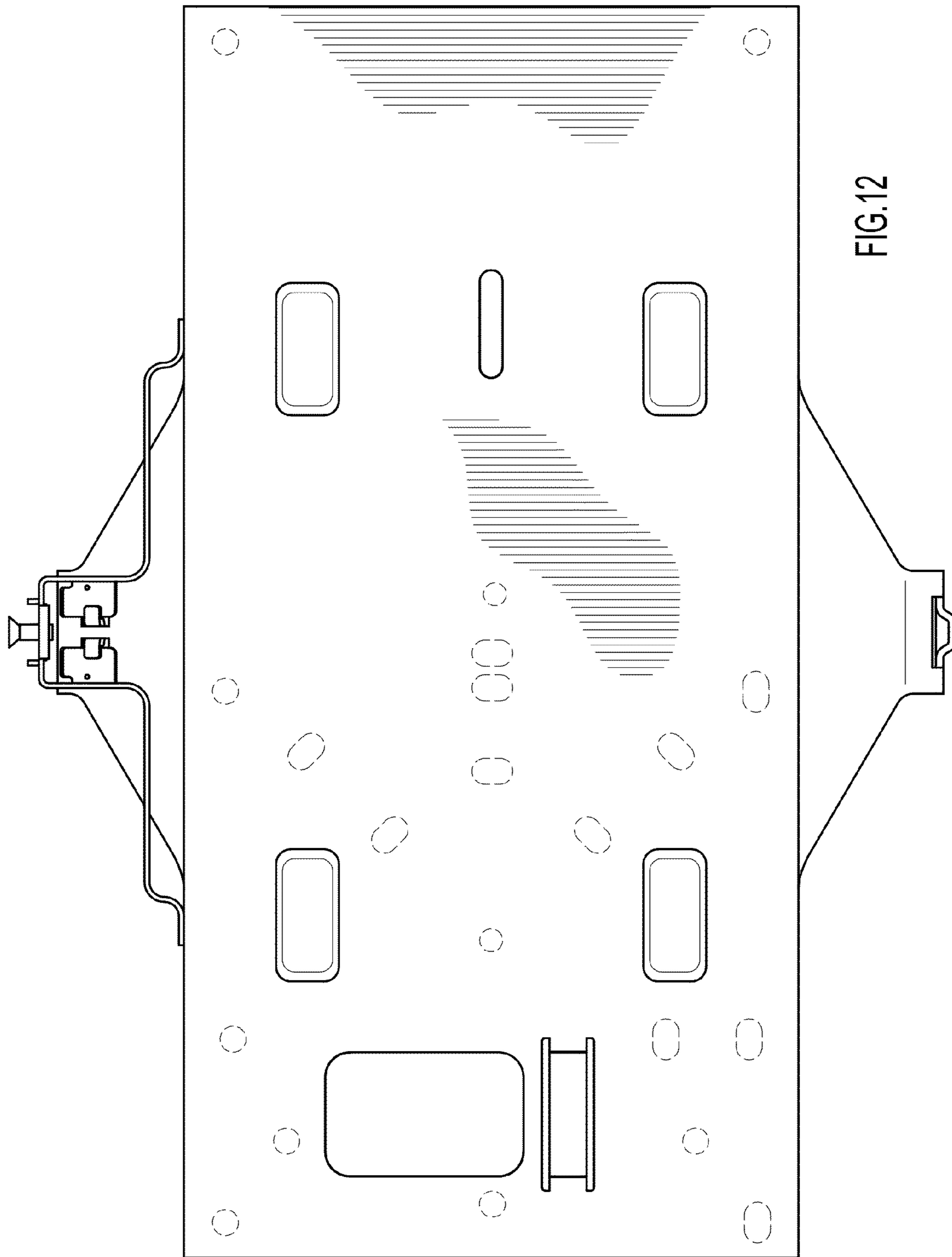


FIG.10





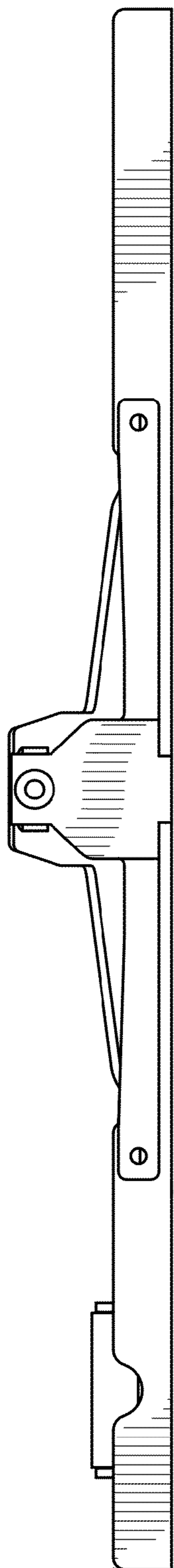


FIG. 13

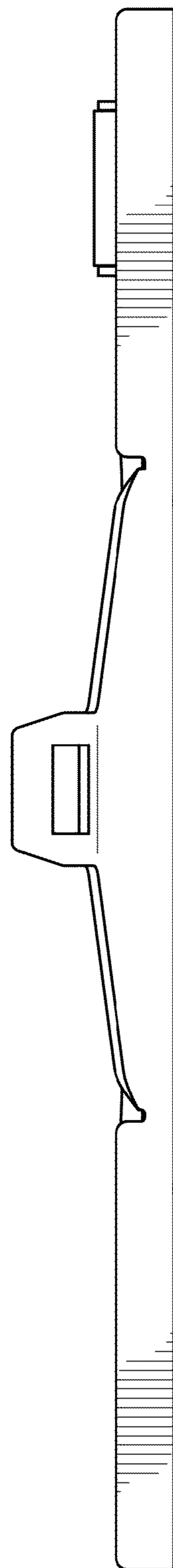


FIG. 14

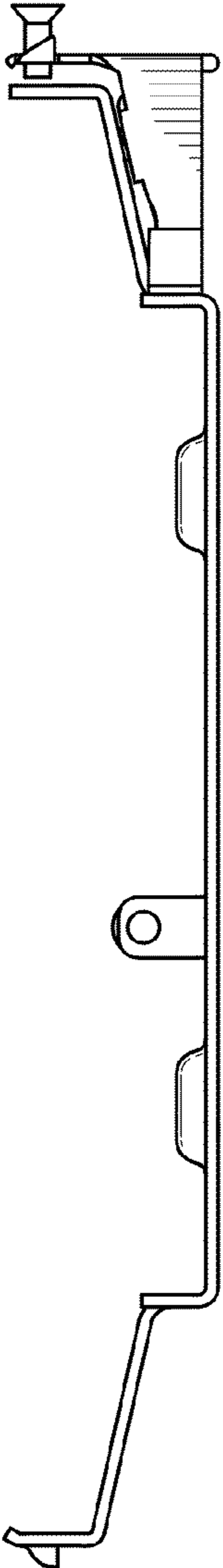


FIG.15

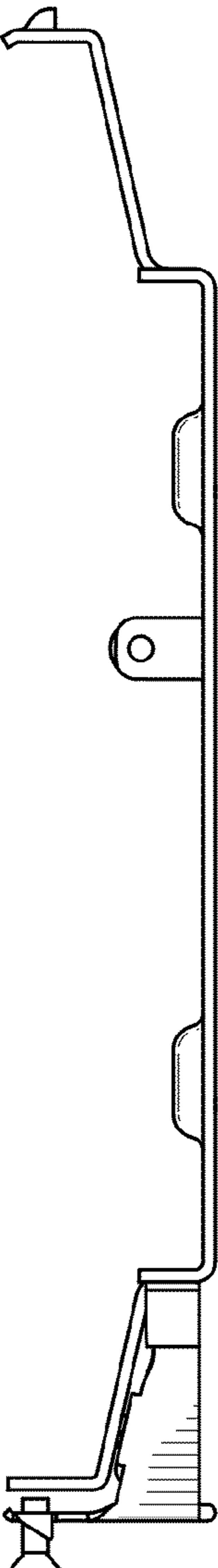


FIG.16



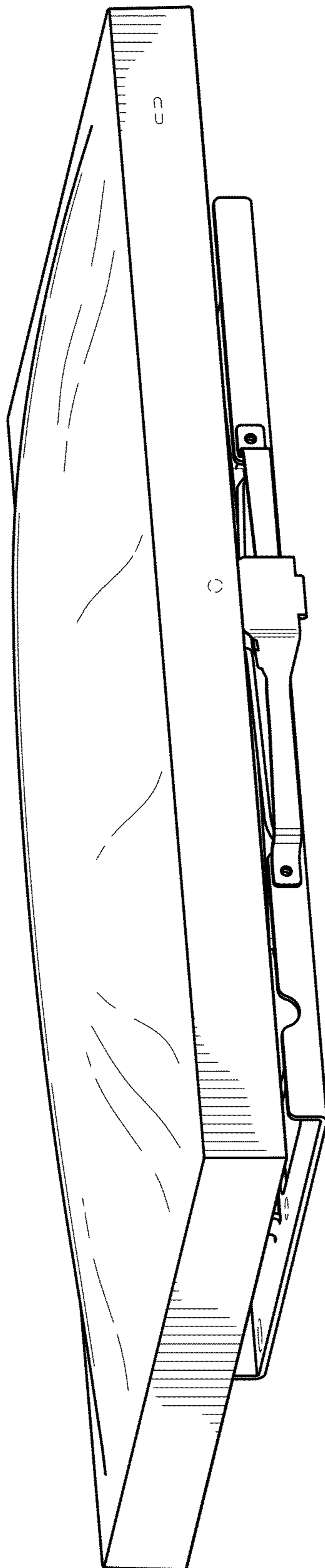


FIG.17

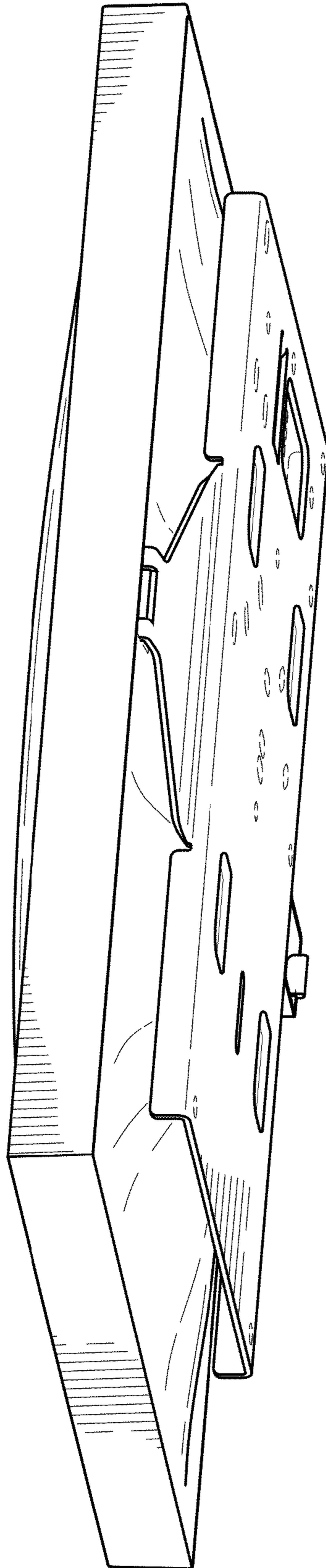


FIG.18

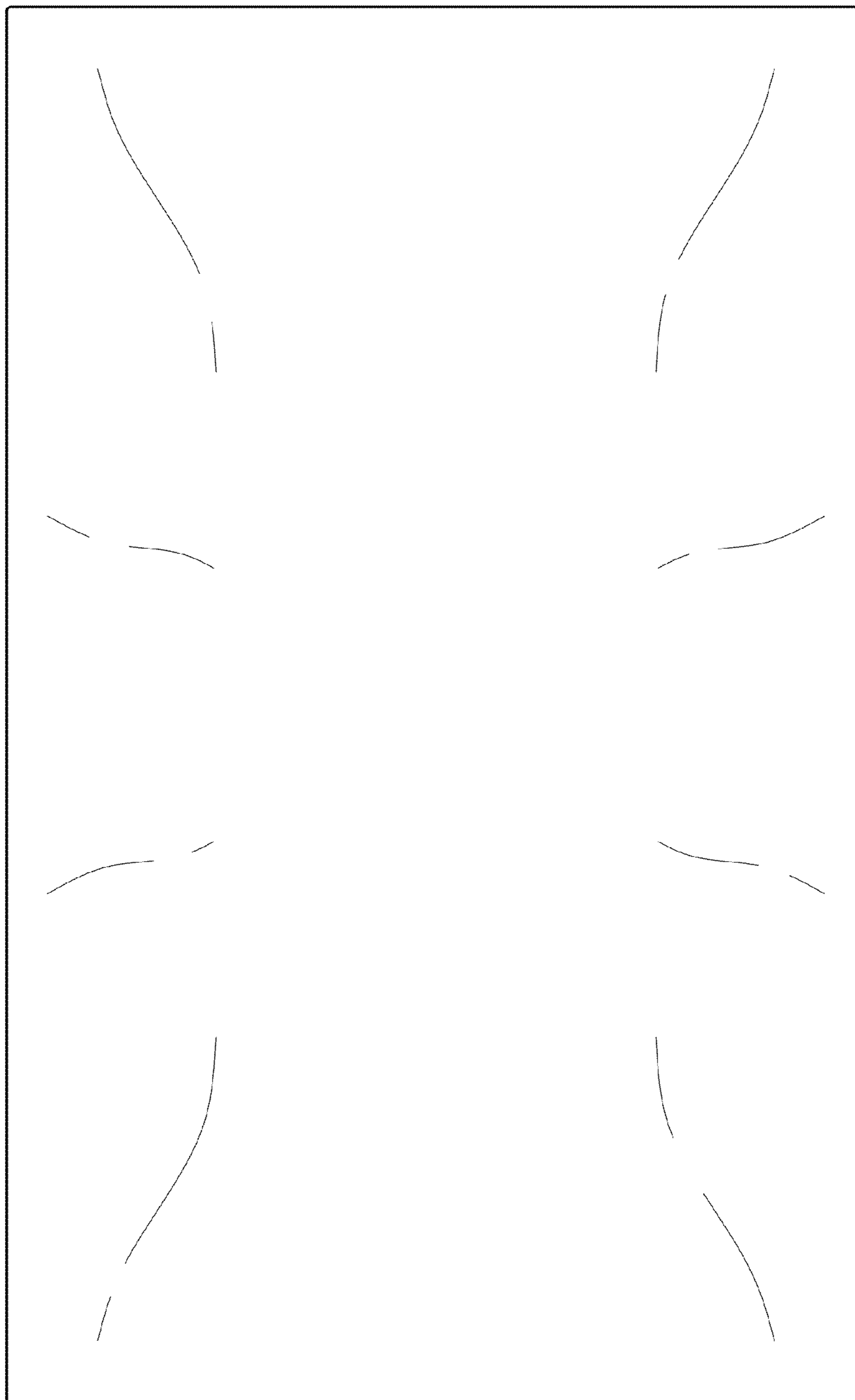


FIG.19

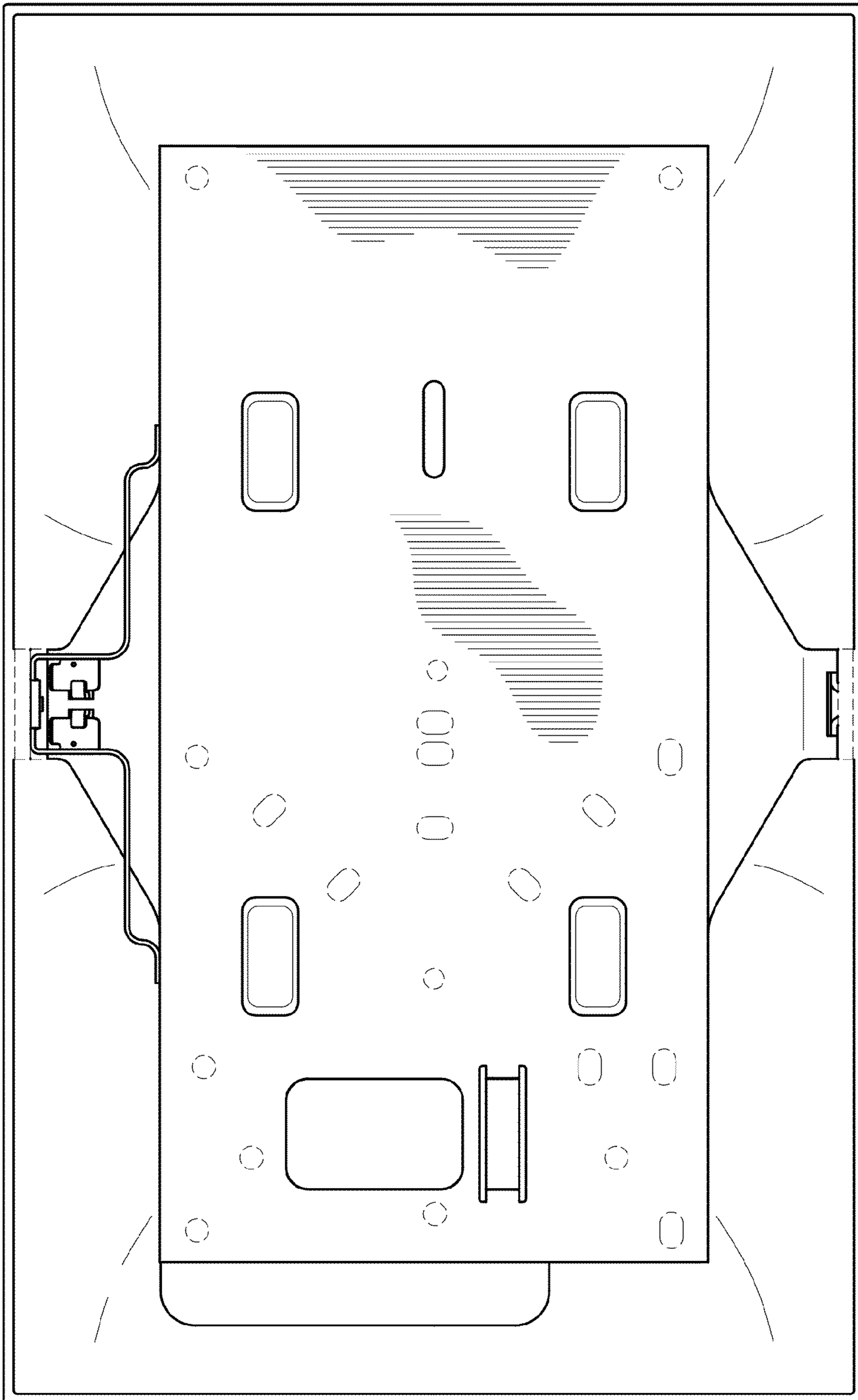


FIG. 20

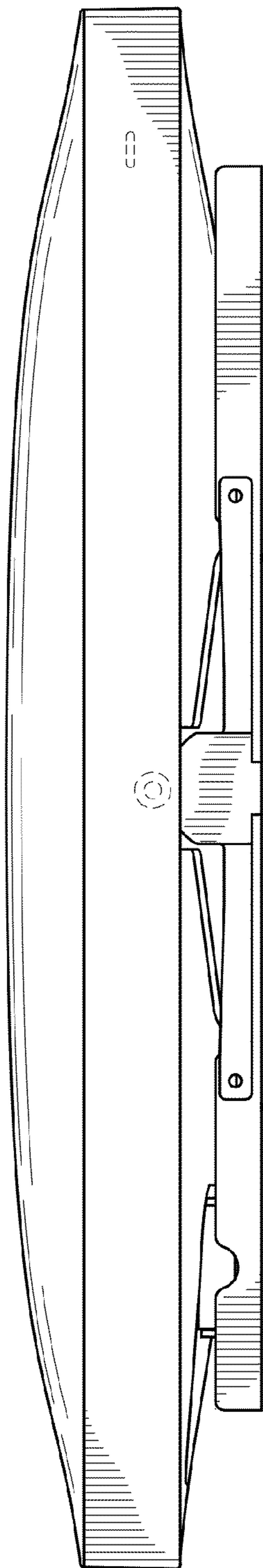


FIG. 21

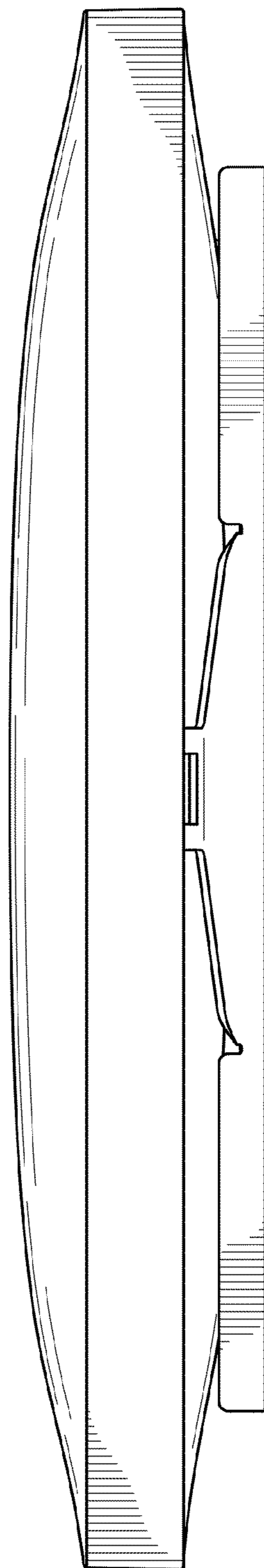


FIG. 22

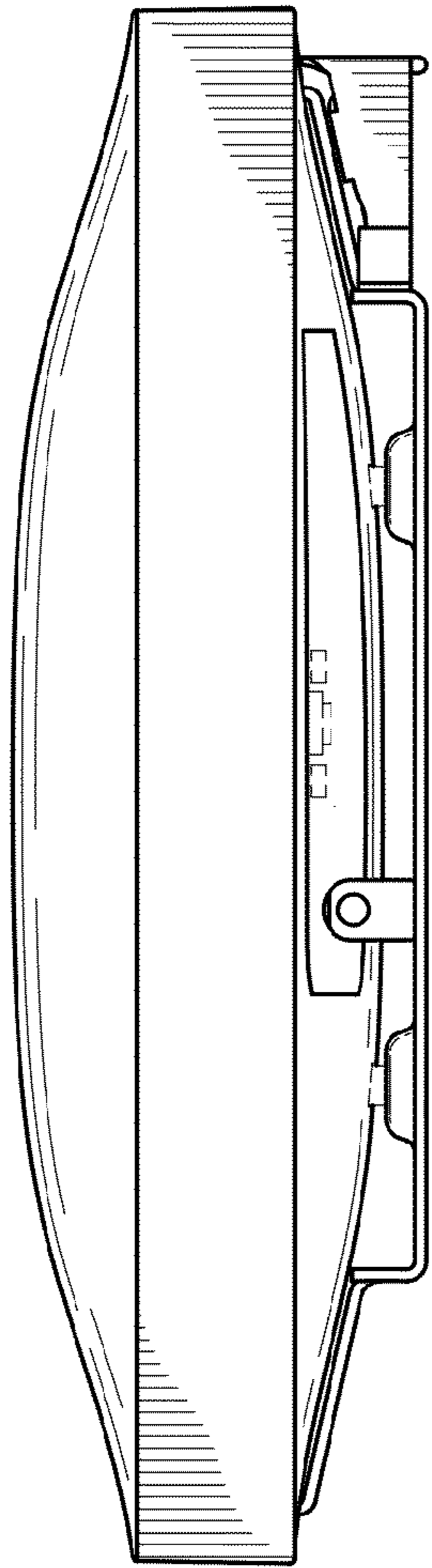


FIG. 23

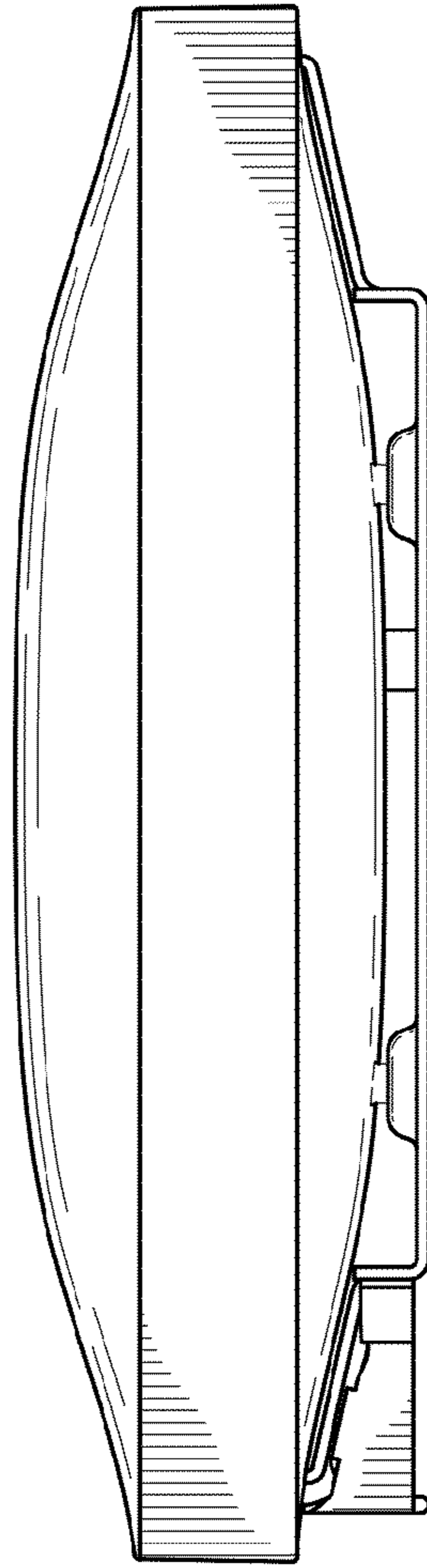


FIG. 24