



US00D744462S

(12) **United States Design Patent**
Shin et al.

(10) **Patent No.:** **US D744,462 S**
(45) **Date of Patent:** **** Dec. 1, 2015**

(54) **TELEVISION RECEIVER**

(56) **References Cited**

(71) Applicant: **Samsung Electronics Co., Ltd.**,
Suwon-si, Gyeonggi-do (KR)
(72) Inventors: **Rina Shin**, Seoul (KR); **Hyung-Ho**
Hwangbo, Seoul (KR); **Hae-Sung Park**,
Seoul (KR); **Christopher Edward**
Bangle, Clavesana (IT)
(73) Assignee: **SAMSUNG ELETRONICS CO., LTD.**
(KR)

U.S. PATENT DOCUMENTS

D408,383	S	*	4/1999	Carter et al.	D14/374
D523,828	S	*	6/2006	Hoehn et al.	D14/126
D524,312	S	*	7/2006	Young	D14/375
D533,155	S	*	12/2006	Nakata	D14/126
D545,782	S	*	7/2007	Schiller et al.	D14/126
D569,815	S	*	5/2008	Otani	D14/126
D626,925	S	*	11/2010	Li	D14/126
D651,212	S	*	12/2011	Bakhreiba et al.	D14/443
D654,450	S	*	2/2012	McManigal et al.	D14/129
D661,266	S	*	6/2012	Laube et al.	D14/126
D661,671	S	*	6/2012	Laube et al.	D14/126
D691,818	S	*	10/2013	Shibata et al.	D6/308
D715,756	S	*	10/2014	Lim et al.	D14/126

* cited by examiner

Primary Examiner — Susan Bennett Hattan
Assistant Examiner — Brett Miller
(74) *Attorney, Agent, or Firm* — Cantor Colburn LLP

(**) **Term:** **14 Years**
(21) **Appl. No.:** **29/472,305**
(22) **Filed:** **Nov. 11, 2013**

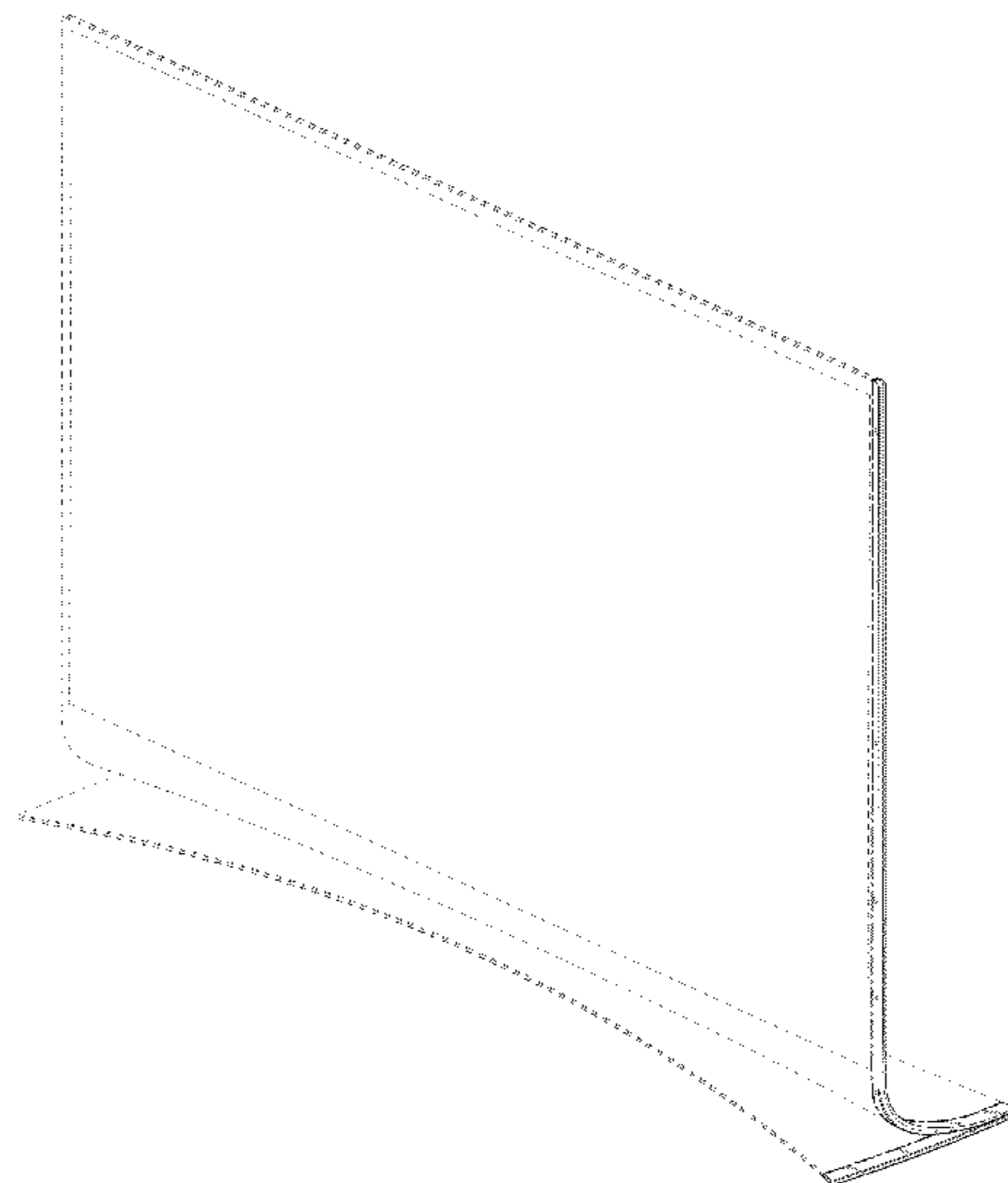
(57) **CLAIM**
The ornamental design for a television receiver, as shown and described.

(30) **Foreign Application Priority Data**
May 11, 2013 (KR) 30-2013-0024878
(51) **LOC (10) Cl.** **14-03**
(52) **U.S. Cl.**
USPC **D14/239**
(58) **Field of Classification Search**
USPC D14/371–382, 125–134, 239, 448–452,
D14/136, 341, 479, 389, 397, 308, 412, 157,
D14/155, 511, 432, 498, 138 AD, 336, 337,
D14/447; 361/679.02; 348/836, 838, 180,
348/184, 325, 739; 248/917–924, 465;
345/104; D6/300, 301, 302, 308,
D6/310–314; D21/392; D18/18; D19/113
CPC G01F 1/1601
See application file for complete search history.

DESCRIPTION

FIG. 1 is a perspective view of a television receiver, showing our new design;
FIG. 2 is a front view thereof;
FIG. 3 is a rear view thereof;
FIG. 4 is a side view thereof;
FIG. 5 is another side view thereof;
FIG. 6 is a top plan view thereof;
FIG. 7 is a bottom plan view thereof; and,
FIG. 8 is a rear perspective view thereof.
The broken lines are for environmental purpose only and form no part of the claimed design. The dot-dash lines define boundaries of the claimed design and form no part of claimed design.
The shade lines in the figures show contour and not surface ornamentation.

1 Claim, 7 Drawing Sheets



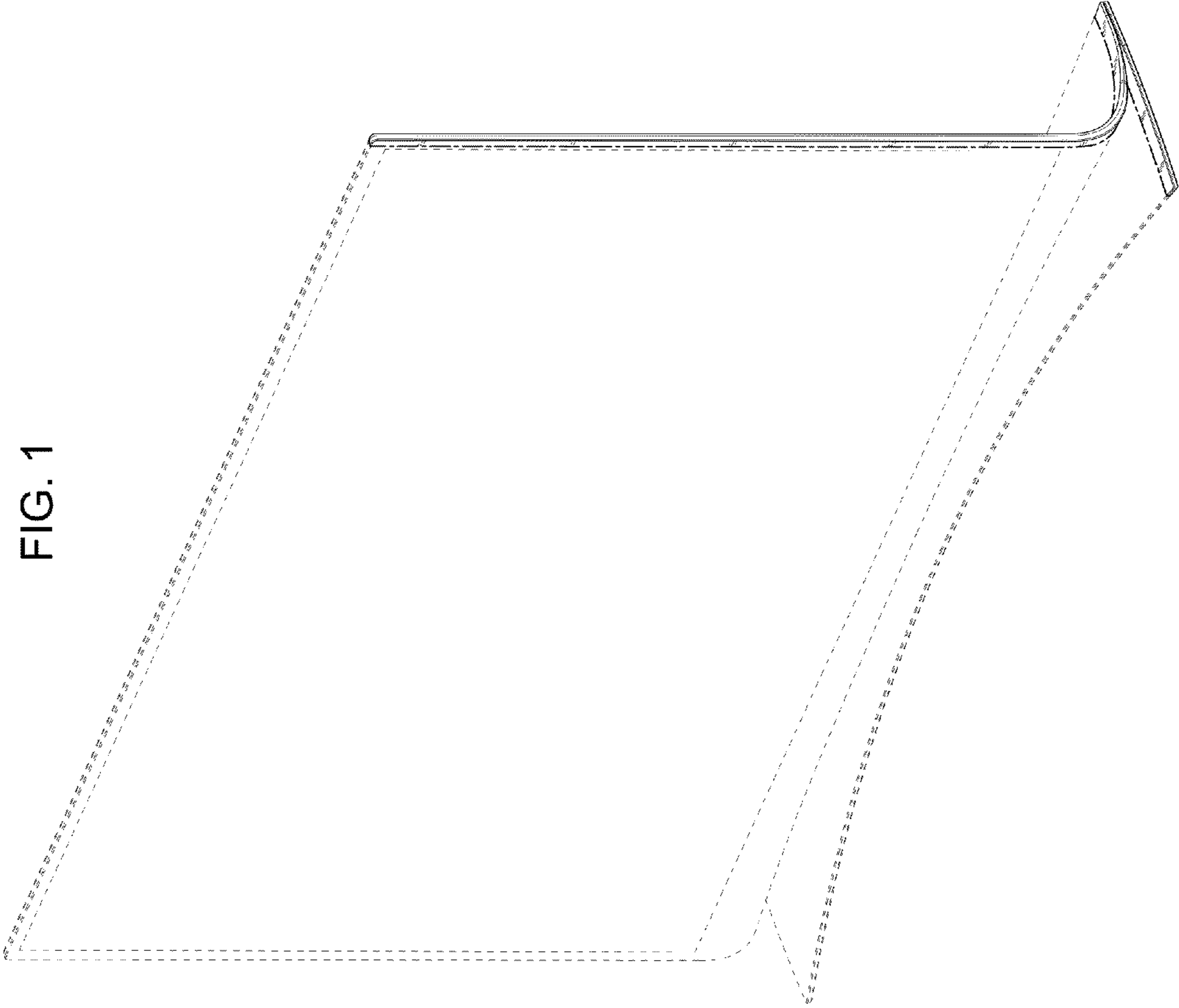


FIG. 1

FIG. 2

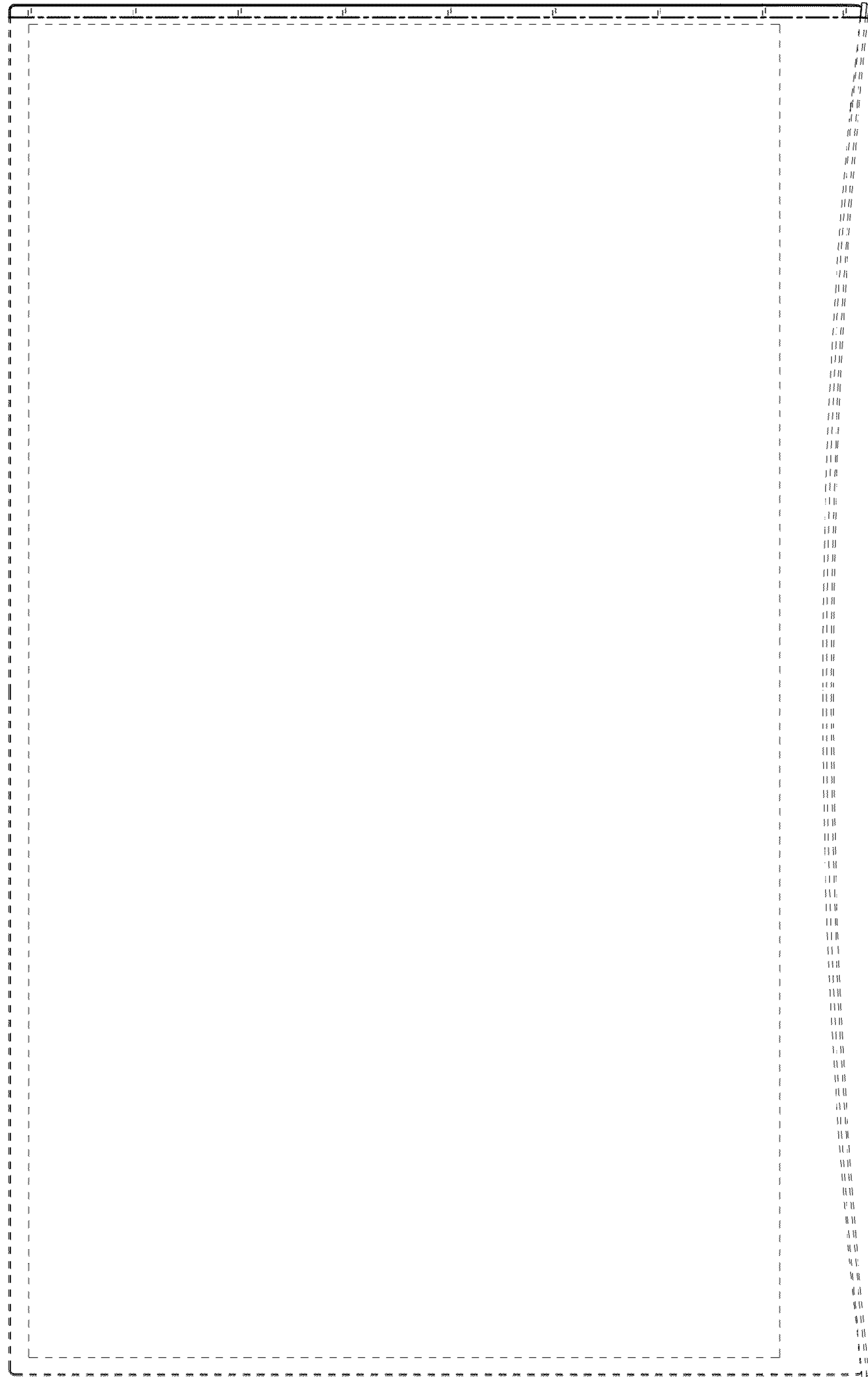


FIG. 3

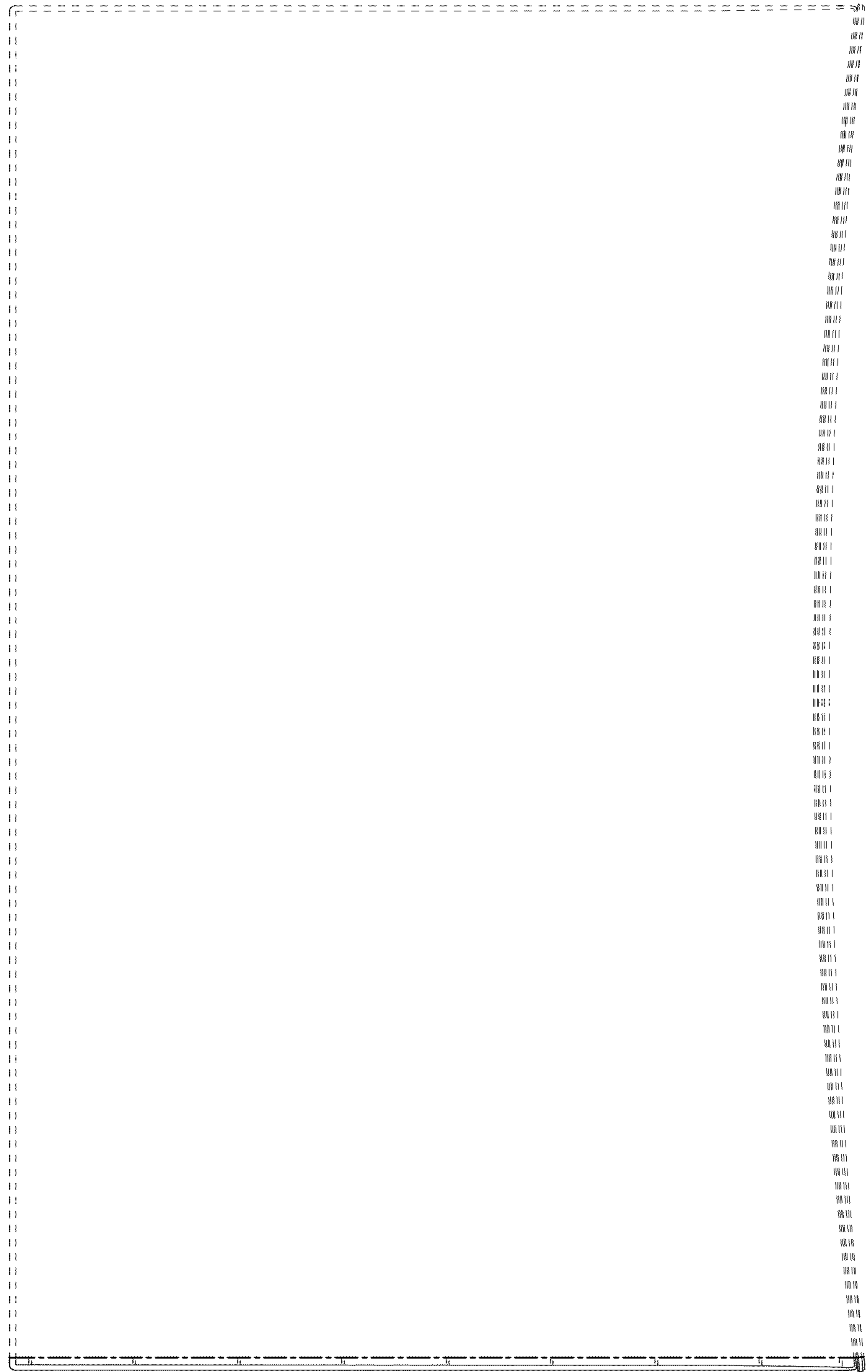


FIG. 5

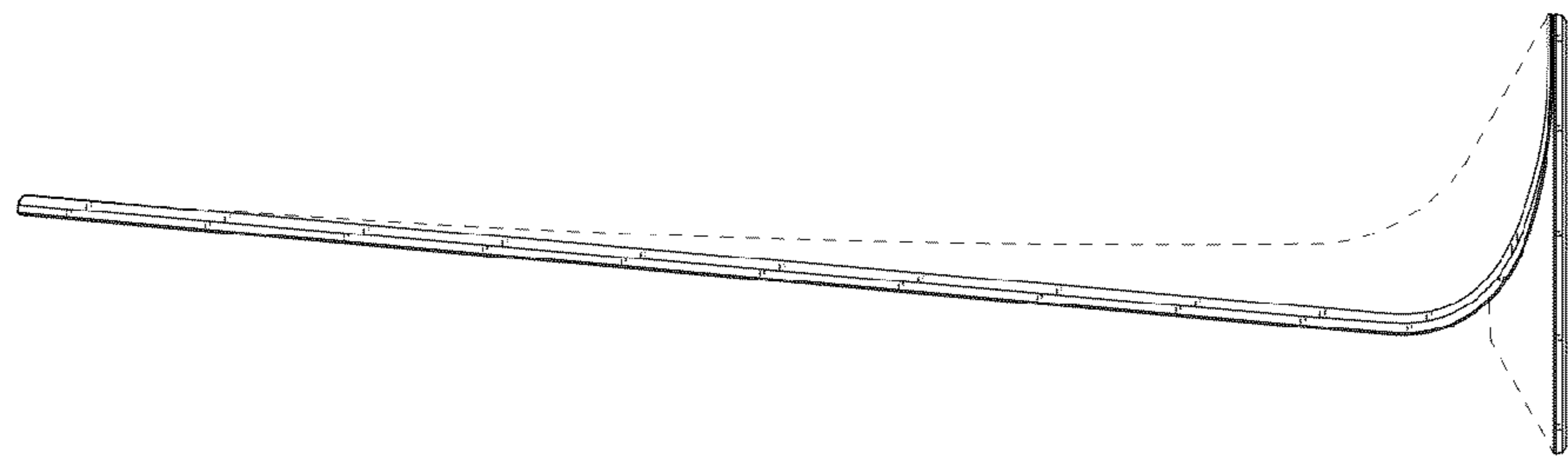


FIG. 4

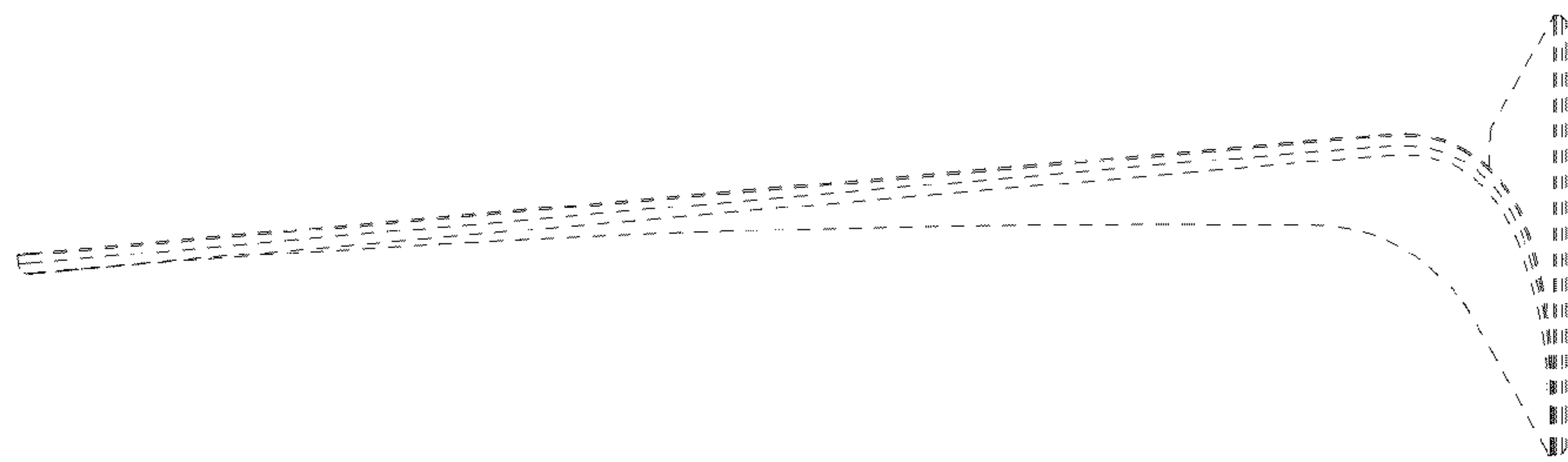


FIG. 6

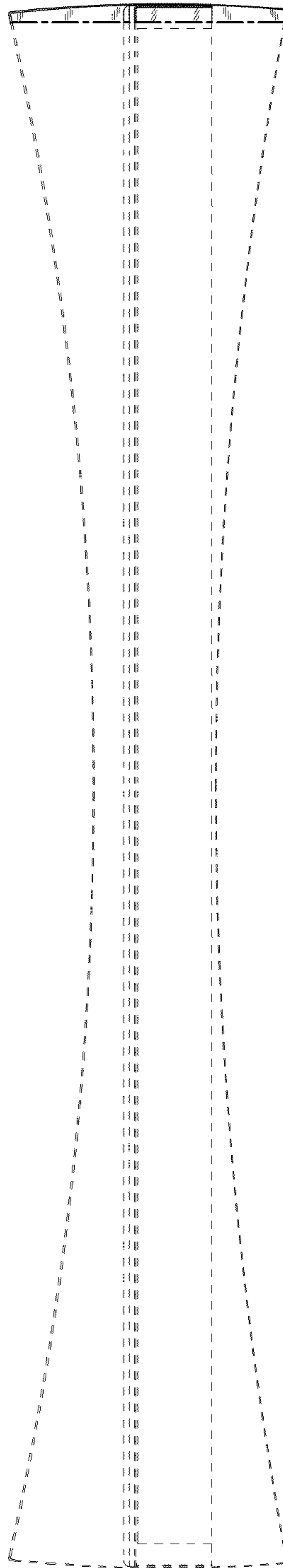


FIG. 7

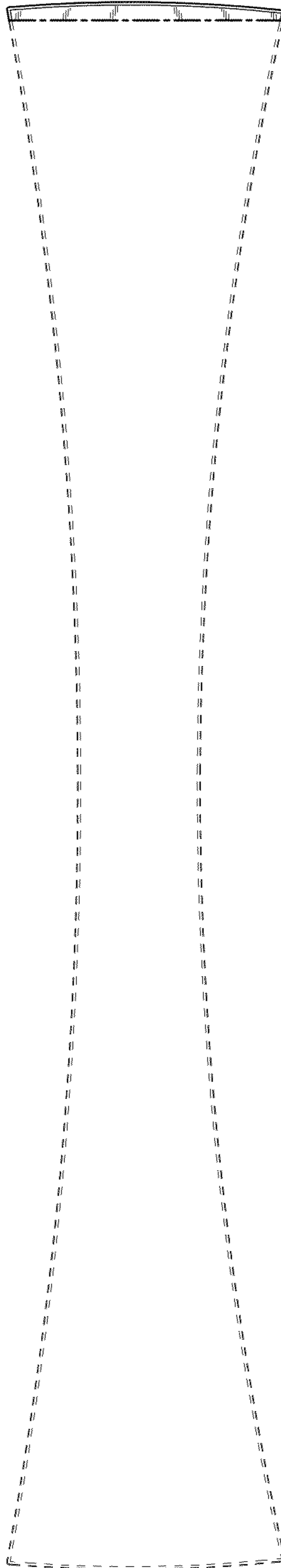


FIG. 8

