



US00D744460S

(12) **United States Design Patent**  
**Lee et al.**

(10) **Patent No.:** **US D744,460 S**  
(45) **Date of Patent:** **\*\* Dec. 1, 2015**

(54) **TELEVISION RECEIVER**

(71) Applicant: **LG Electronics Inc.**, Seoul (KR)  
(72) Inventors: **Yongho Lee**, Seoul (KR); **Hyojin Won**,  
Seoul (KR)  
(73) Assignee: **LG Electronics Inc.**, Seoul (KR)  
(\*\*) Term: **14 Years**  
(21) Appl. No.: **29/460,566**  
(22) Filed: **Jul. 12, 2013**

(30) **Foreign Application Priority Data**

Jan. 16, 2013 (KR) ..... 30-2013-0002744

(51) **LOC (10) Cl.** ..... **14-03**

(52) **U.S. Cl.**  
USPC ..... **D14/239**

(58) **Field of Classification Search**

USPC ..... D14/125-135, 371-382, 336, 448-452,  
D14/239; D15/138-144; D25/55, 48.2;  
D8/380-381; D6/675-675.5;  
D30/161-162  
CPC ..... G06F 1/1601; G06F 2200/1612; G06F  
1/1616; G06F 1/1677; G06F 1/1681; F16M  
11/2021; F16M 11/04; F16M 11/041; F16M  
11/105; F16M 11/12; F16M 11/18; F16M  
11/22; F16M 11/24; F16M 2200/024; F16M  
2200/068; F16M 11/02; F16M 11/14; F16M  
11/2064; F16M 11/42; F16M 13/00

See application file for complete search history.

(56) **References Cited**

U.S. PATENT DOCUMENTS

D597,505 S *	8/2009	Hirasawa et al. ....	D14/126
D602,453 S *	10/2009	Ding et al. ....	D14/126
D637,167 S *	5/2011	Tsai et al. ....	D14/126
D659,660 S *	5/2012	Kumano ....	D14/126
D675,175 S *	1/2013	Kim et al. ....	D14/126
D675,583 S *	2/2013	Kubota ....	D14/126
D686,584 S *	7/2013	Yoo et al. ....	D14/126
D692,403 S *	10/2013	Takami et al. ....	D14/126
D709,845 S *	7/2014	Itou et al. ....	D14/126
D721,049 S *	1/2015	Lee ....	D14/126
D722,300 S *	2/2015	Won ....	D14/126
D723,486 S *	3/2015	Lee et al. ....	D14/126
D726,135 S *	4/2015	Takechi ....	D14/126

\* cited by examiner

*Primary Examiner* — Susan Bennett Hattan

*Assistant Examiner* — Brett Miller

(74) *Attorney, Agent, or Firm* — Morgan, Lewis & Bockius  
LLP

(57) **CLAIM**

The ornamental design for a television receiver, as shown and described.

**DESCRIPTION**

FIG. 1 is a rear perspective view of a television receiver showing our new design;  
FIG. 2 is a front view thereof;  
FIG. 3 is a rear view thereof;  
FIG. 4 is a left side view thereof where the right side view is a mirror image;  
FIG. 5 is a top plan view thereof;  
FIG. 6 is a bottom plan view thereof; and,  
FIG. 7 is a front perspective view thereof.  
The broken lines depict portions of the television receiver and form no part of the claimed design.

**1 Claim, 7 Drawing Sheets**

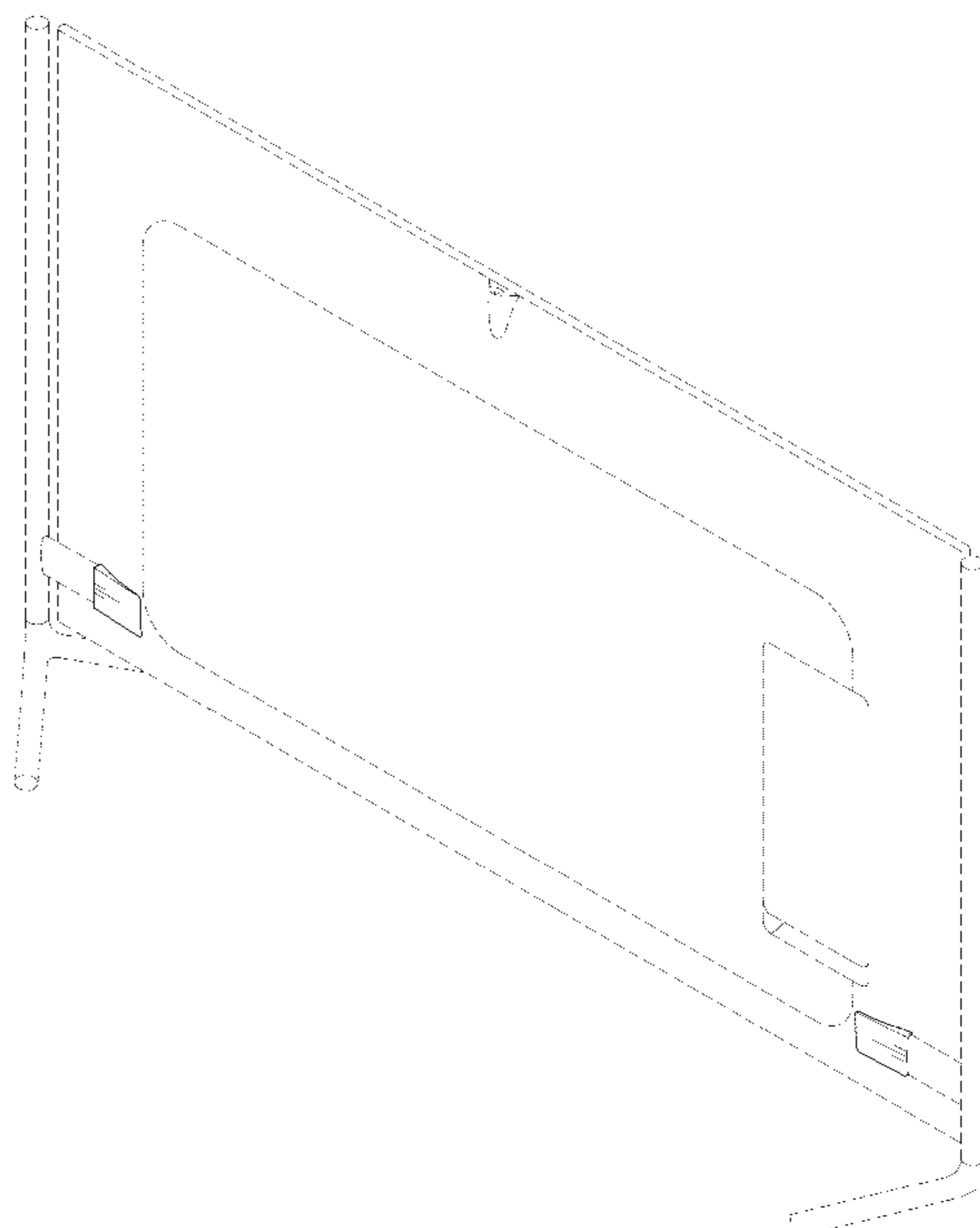


FIG. 1

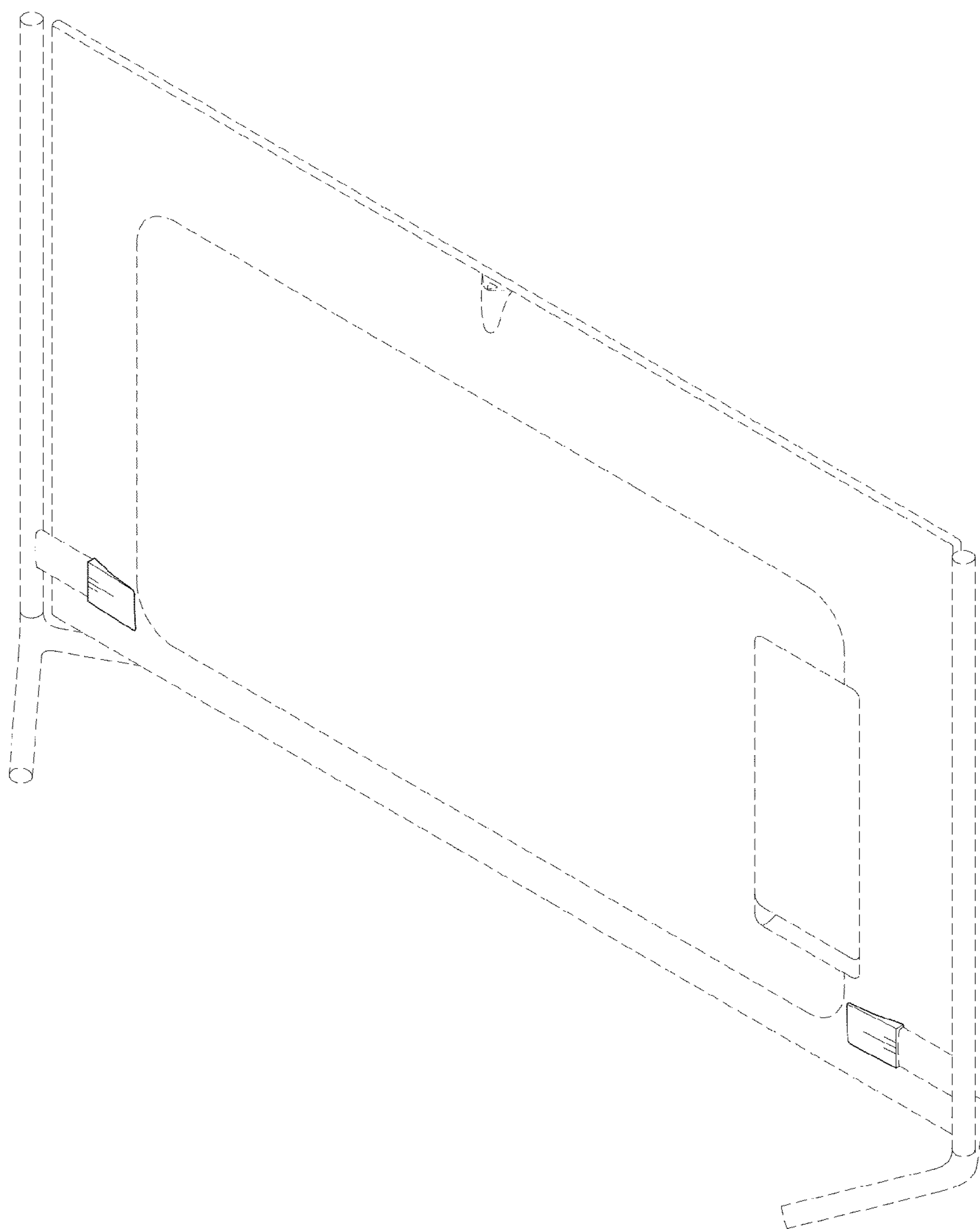


FIG. 2



FIG. 3



FIG. 4

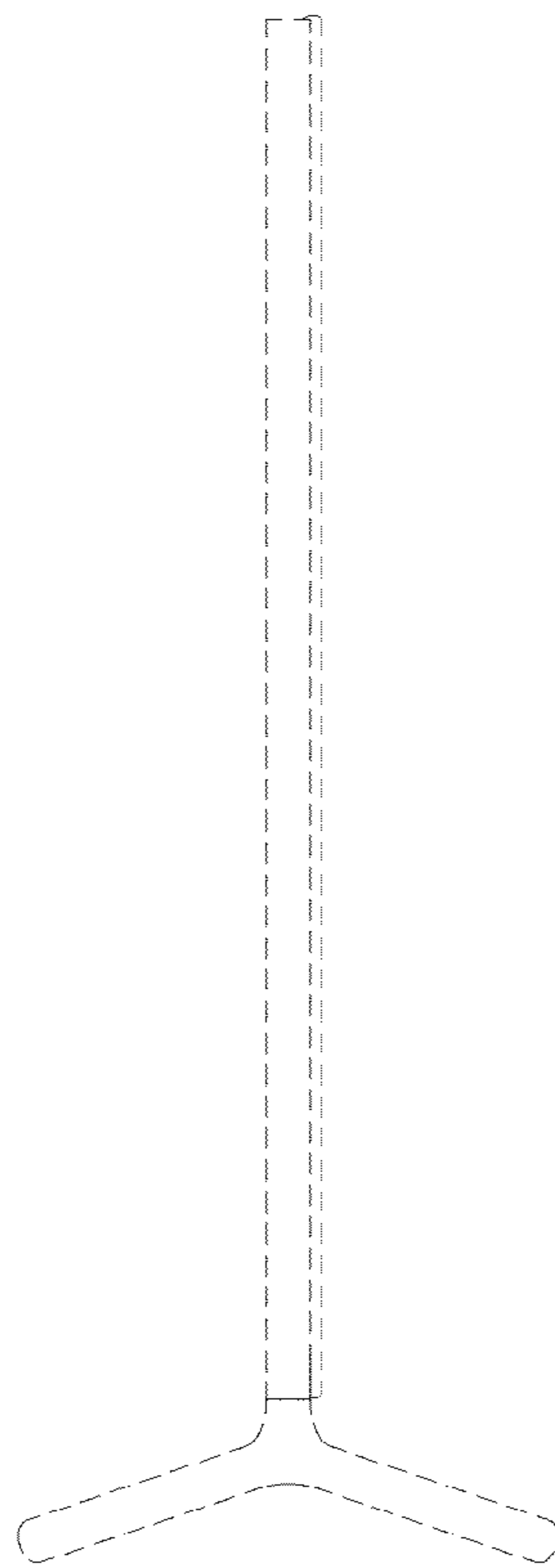


FIG. 5

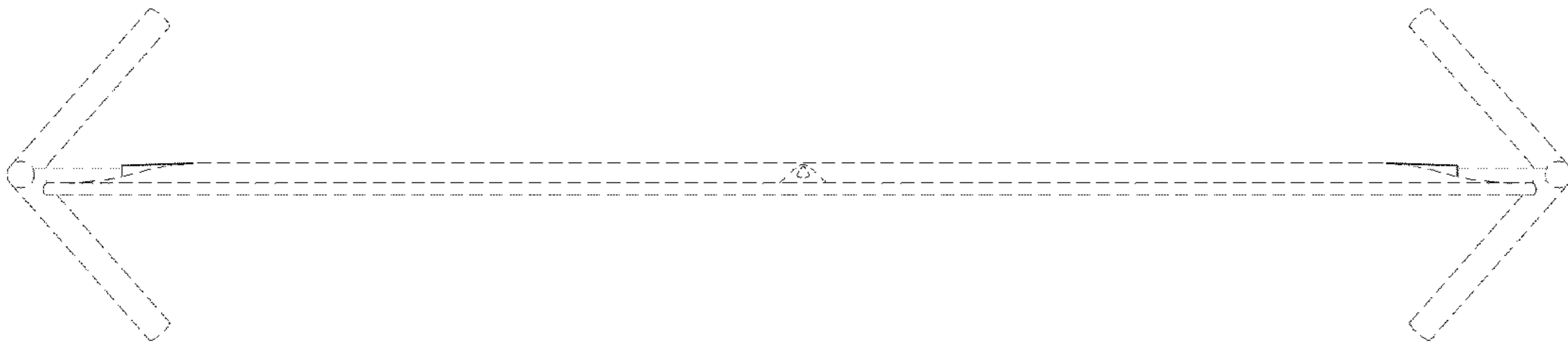


FIG. 6

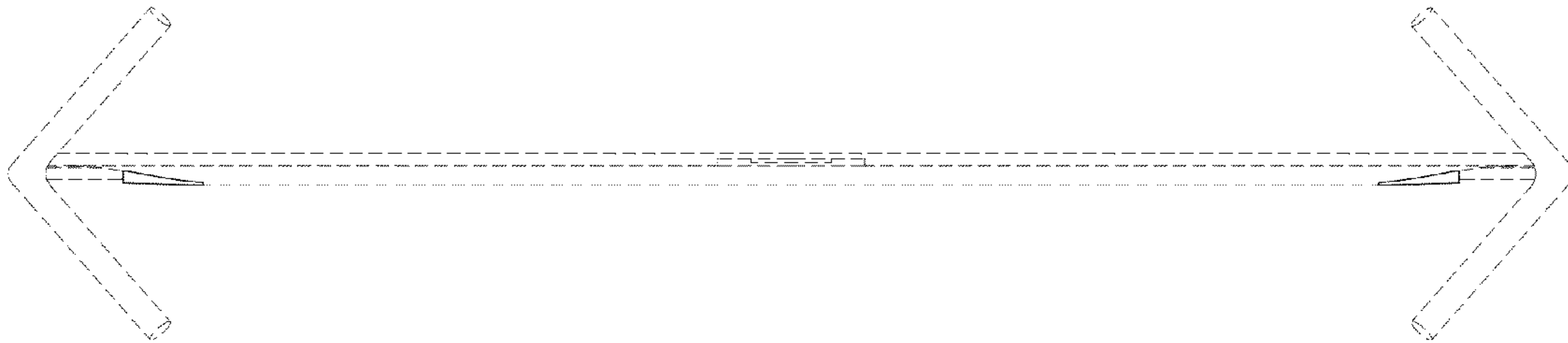


FIG. 7

