



US00D744459S

(12) **United States Design Patent**
Cummings et al.

(10) **Patent No.:** **US D744,459 S**
(45) **Date of Patent:** **** Dec. 1, 2015**

(54) **ANTENNA FEEDPOINT SUPPORT BRACKET**

(71) Applicant: **PDS Electronics, Inc.**, Tallmadge, OH
(US)

(72) Inventors: **Christopher R. Cummings**, Newton
Falls, OH (US); **Edward J. Polack**,
Atwater, OH (US)

(73) Assignee: **PDS Electronics, Inc.**, Tallmadge, OH
(US)

(**) Term: **14 Years**

(21) Appl. No.: **29/462,854**

(22) Filed: **Aug. 9, 2013**

(51) **LOC (10) Cl.** **14-03**

(52) **U.S. Cl.**
USPC **D14/238**

(58) **Field of Classification Search**
USPC D14/230–238, 299, 358;
343/700 R–705, 711–713, 871–908;
455/90.2–90.3; 40/541; D20/16, 38,
D20/42, 99; D8/353–354, 321–322, 364
CPC H01Q 7/00; H01Q 13/10; H01Q 9/285;
H01Q 19/30; H01Q 19/12; H01Q 1/38;
H04B 1/0475; H04B 1/034; H05K 11/00
See application file for complete search history.

(56) **References Cited**

U.S. PATENT DOCUMENTS

D229,745 S *	1/1974	Dean	D8/364
D272,211 S *	1/1984	Rock et al.	D8/354
D361,710 S *	8/1995	Boeshart	D8/354
D478,497 S *	8/2003	Curtas et al.	D8/354
D492,189 S *	6/2004	Weremchuk et al.	D8/371
D534,905 S *	1/2007	Sergi	D14/238
D535,985 S *	1/2007	Sergi	D14/238
D538,630 S *	3/2007	Sergi	D8/354
D578,521 S *	10/2008	Sergi et al.	D14/238
D597,086 S *	7/2009	Sergi et al.	D14/238
D638,694 S *	5/2011	Misch	D8/380
D658,038 S *	4/2012	Ghatikar et al.	D8/354

D658,040 S *	4/2012	Ghatikar et al.	D8/354
D684,147 S *	6/2013	Stifal	D14/239
RE44,515 E *	10/2013	Ciungan et al.	D8/363
D702,799 S *	4/2014	Coviello	D22/108

FOREIGN PATENT DOCUMENTS

JP	D1177054	*	6/2003
JP	D1429278	*	12/2011
JP	D1434655	*	2/2012
JP	D1441474	*	5/2012

OTHER PUBLICATIONS

A1 Antenna Mount PC-A30 bracket google pub date Jan. 1, 2012,
online, <http://www.a1telecom.com/theshop/antennas-mounts/antenna-mounts.html?limit=all>, [site visited May 11, 2015 5:22:28 PM].*

A1 Antenna Mount RP-142 bracket google pub date Jan. 1, 2012,
online, <http://www.a1telecom.com/theshop/antennas-mounts/antenna-mounts.html?limit=all>, [site visited May 11, 2015 5:22:28 PM].*

* cited by examiner

Primary Examiner — John Windmuller

Assistant Examiner — John R Yeh

(74) *Attorney, Agent, or Firm* — Renner, Kenner, Greive,
Bobak, Taylor & Weber

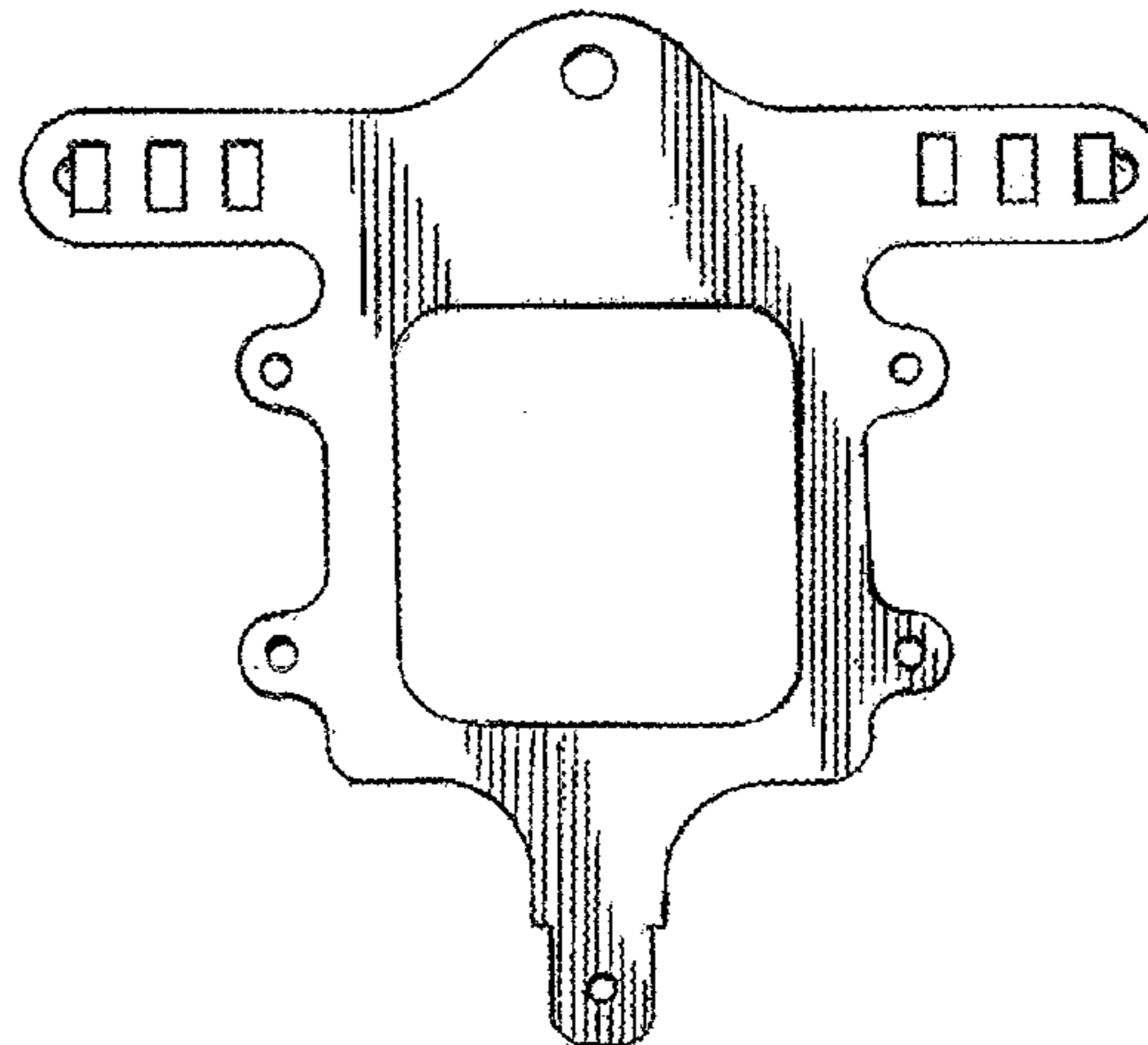
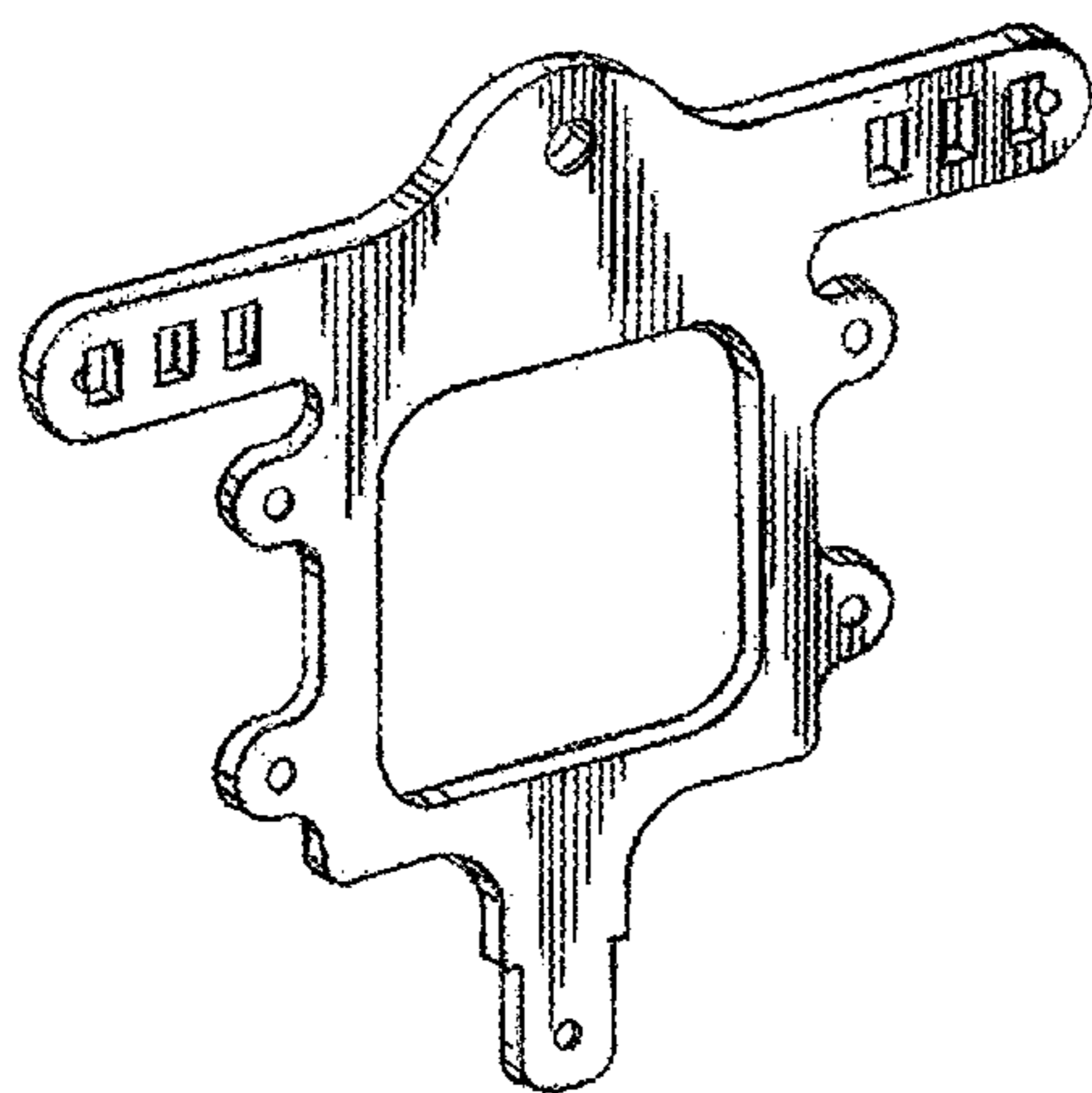
(57) **CLAIM**

The ornamental design for an antenna feedpoint support
bracket, as shown and described.

DESCRIPTION

FIG. 1 is a front, top, right side perspective view of an antenna
feedpoint support bracket showing our new design;
FIG. 2 is a front elevational view thereof;
FIG. 3 is a rear elevational view thereof;
FIG. 4 is a top plan view thereof;
FIG. 5 is a bottom plan view thereof; and,
FIG. 6 is a left side elevational view thereof, the left side being
identical to the right side.

1 Claim, 2 Drawing Sheets



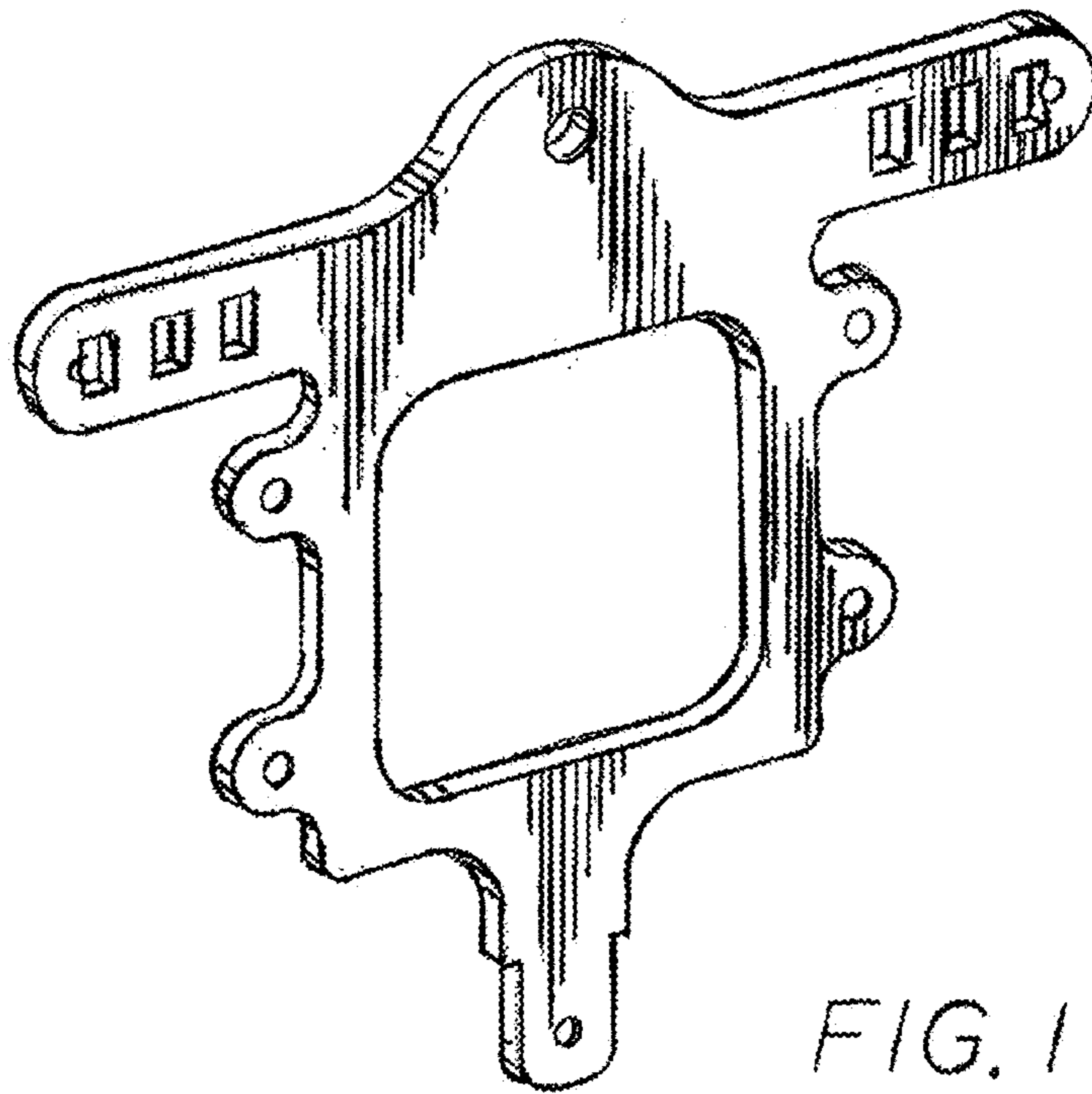


FIG. 1

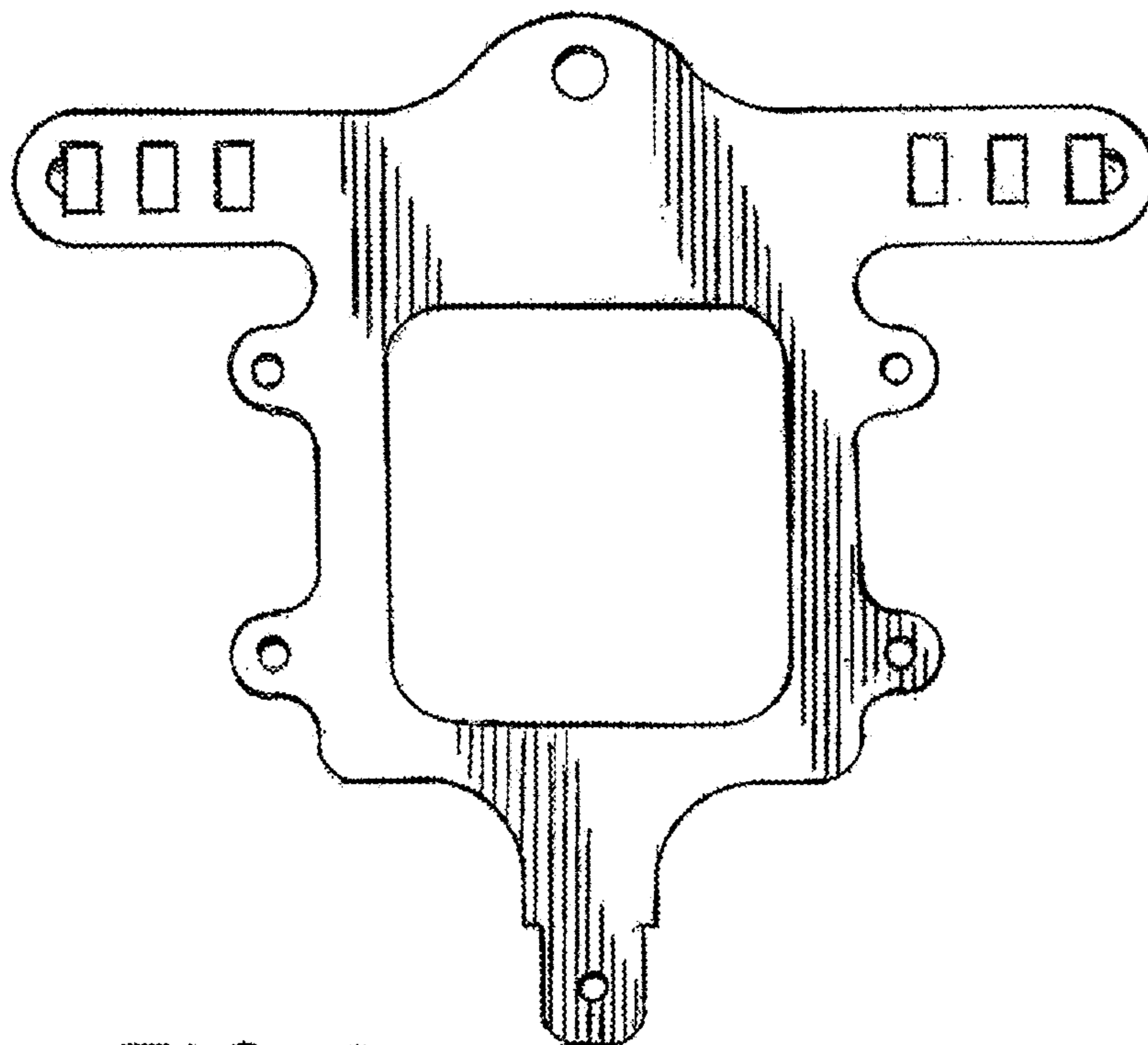


FIG. 2

