



US00D744457S

(12) **United States Design Patent**
Vuorio et al.

(10) **Patent No.:** **US D744,457 S**
(45) **Date of Patent:** **** Dec. 1, 2015**

- (54) **SPEAKER-MICROPHONE**
- (71) Applicant: **SAVOX COMMUNICATION OY AB (LTD)**, Espoo (FI)
- (72) Inventors: **Harri Vuorio**, Espoo (FI); **Karri Heinonen**, Vantaa (FI)
- (73) Assignee: **SAVOX COMMUNICATIONS OY AB (LTD)**, Espoo (FI)
- (**) Term: **14 Years**
- (21) Appl. No.: **29/491,272**
- (22) Filed: **May 20, 2014**
- (30) **Foreign Application Priority Data**
Mar. 21, 2014 (EP) 002429522
- (51) **LOC (10) Cl.** **14-01**
- (52) **U.S. Cl.**
USPC **D14/226**
- (58) **Field of Classification Search**
USPC D14/225, 226, 221, 240, 137; 381/355, 381/357, 163, 161, 122, 189, 148, 359, 381/361; D21/483; 24/3.11, 511; 455/550.1
CPC H04R 11/04
See application file for complete search history.

(56) **References Cited**

U.S. PATENT DOCUMENTS

- D162,882 S * 4/1951 Rogers et al. D14/225
- 2,569,371 A * 9/1951 Cohen 24/511
- 3,864,746 A * 2/1975 Burgess 360/4
- D234,957 S * 4/1975 Huntington D14/225
- 4,009,355 A * 2/1977 Poradowski 381/358
- D244,779 S * 6/1977 Kobayashi D14/225
- D244,780 S * 6/1977 Kobayashi D14/225
- D248,231 S * 6/1978 Goldman et al. D14/225
- D249,041 S * 8/1978 Culbertson D14/225
- D249,682 S * 9/1978 Kushida et al. D14/225

- D250,709 S * 1/1979 Sakaguchi D14/225
- D252,085 S * 6/1979 Fujita D14/225
- D258,879 S * 4/1981 Eaton et al. D14/225
- D300,924 S * 5/1989 Mauch D14/225
- 5,249,235 A * 9/1993 Davis et al. 381/91
- 5,472,317 A * 12/1995 Field et al. 417/234
- D378,820 S * 4/1997 Tokiyama et al. D14/225
- D388,094 S * 12/1997 Tokiyama et al. D14/226
- 5,701,355 A * 12/1997 Brannan et al. 381/361
- D416,912 S * 11/1999 Hsieh D14/225
- 6,283,348 B1 * 9/2001 Wang 224/271
- D457,309 S * 5/2002 Tanaka D3/218
- D465,781 S * 11/2002 Fischer D14/240
- D502,698 S * 3/2005 Mah D14/226
- D503,398 S * 3/2005 Haase et al. D14/225
- D515,558 S * 2/2006 Case et al. D14/225
- D517,052 S * 3/2006 Skulley D14/223
- D519,111 S * 4/2006 Miranda D14/225
- D569,853 S * 5/2008 Nishida D14/225
- D576,157 S * 9/2008 Nishizawa D14/225
- D615,533 S * 5/2010 Emge et al. D14/225
- D619,125 S * 7/2010 Kung D14/225
- D632,679 S * 2/2011 Emge et al. D14/225
- D646,280 S * 10/2011 Yano D14/412

(Continued)

Primary Examiner — Paula Greene

(74) *Attorney, Agent, or Firm* — Young & Thompson

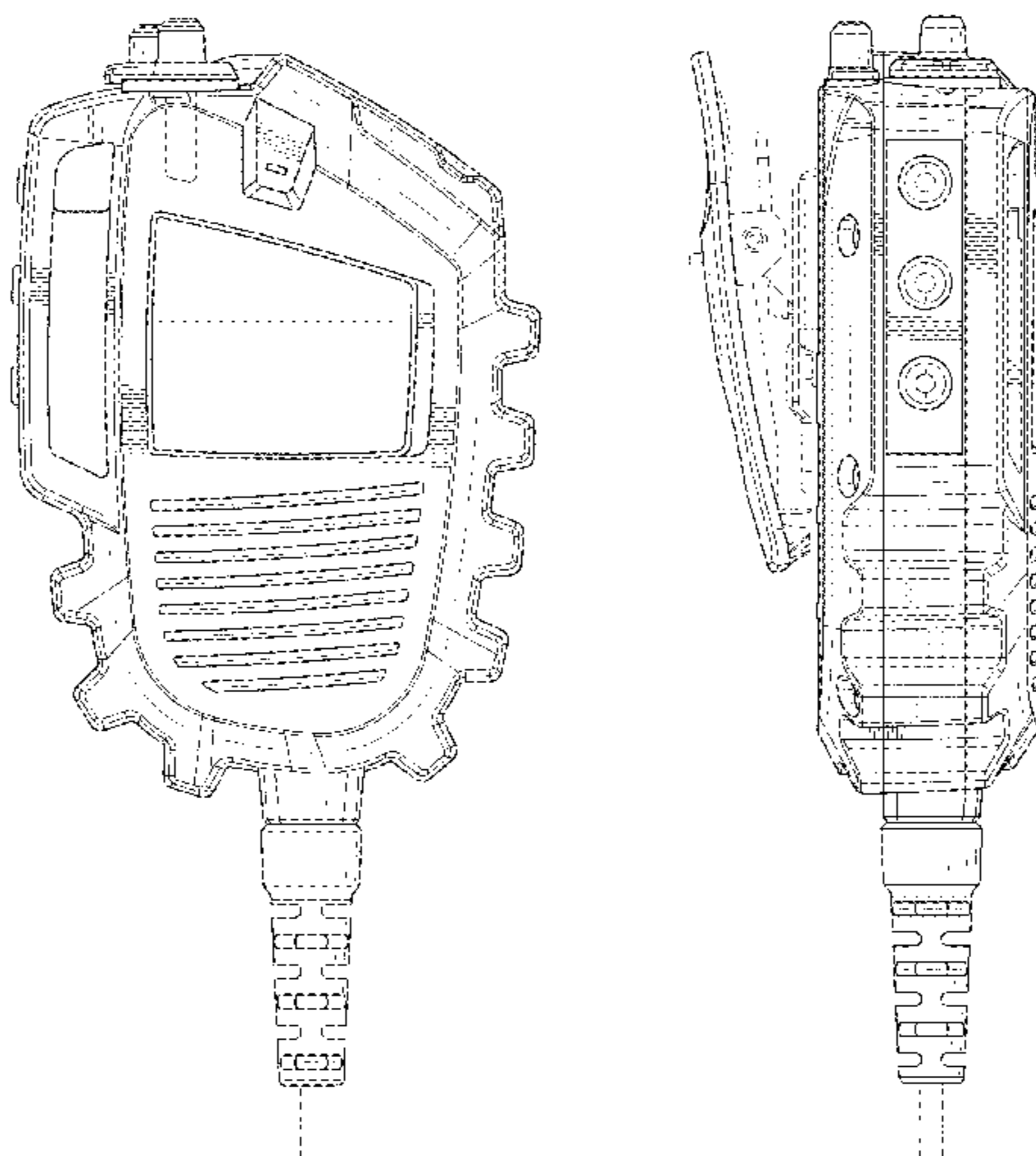
(57) **CLAIM**

The ornamental design for a speaker-microphone, as shown and described.

DESCRIPTION

FIG. 1 is a front elevation view of a speaker-microphone showing the new design;
 FIG. 2 is a right side elevation view thereof;
 FIG. 3 is a rear elevation view thereof;
 FIG. 4 is a left side elevation view thereof;
 FIG. 5 is a front, left side perspective view thereof; and,
 FIG. 6 is a top plan view thereof.
 The portions of the design shown in broken lines show unclaimed subject matter.

1 Claim, 6 Drawing Sheets



US D744,457 S

Page 2

(56)

References Cited

U.S. PATENT DOCUMENTS

D662,090 S * 6/2012 Richards et al. D14/226
D668,239 S * 10/2012 Marsh D14/159
D718,746 S * 12/2014 Tran et al. D14/226

D720,726 S * 1/2015 Yu D14/225
2001/0054217 A1* 12/2001 Wang 24/3.1
2003/0027606 A1* 2/2003 Tsai 455/568

* cited by examiner

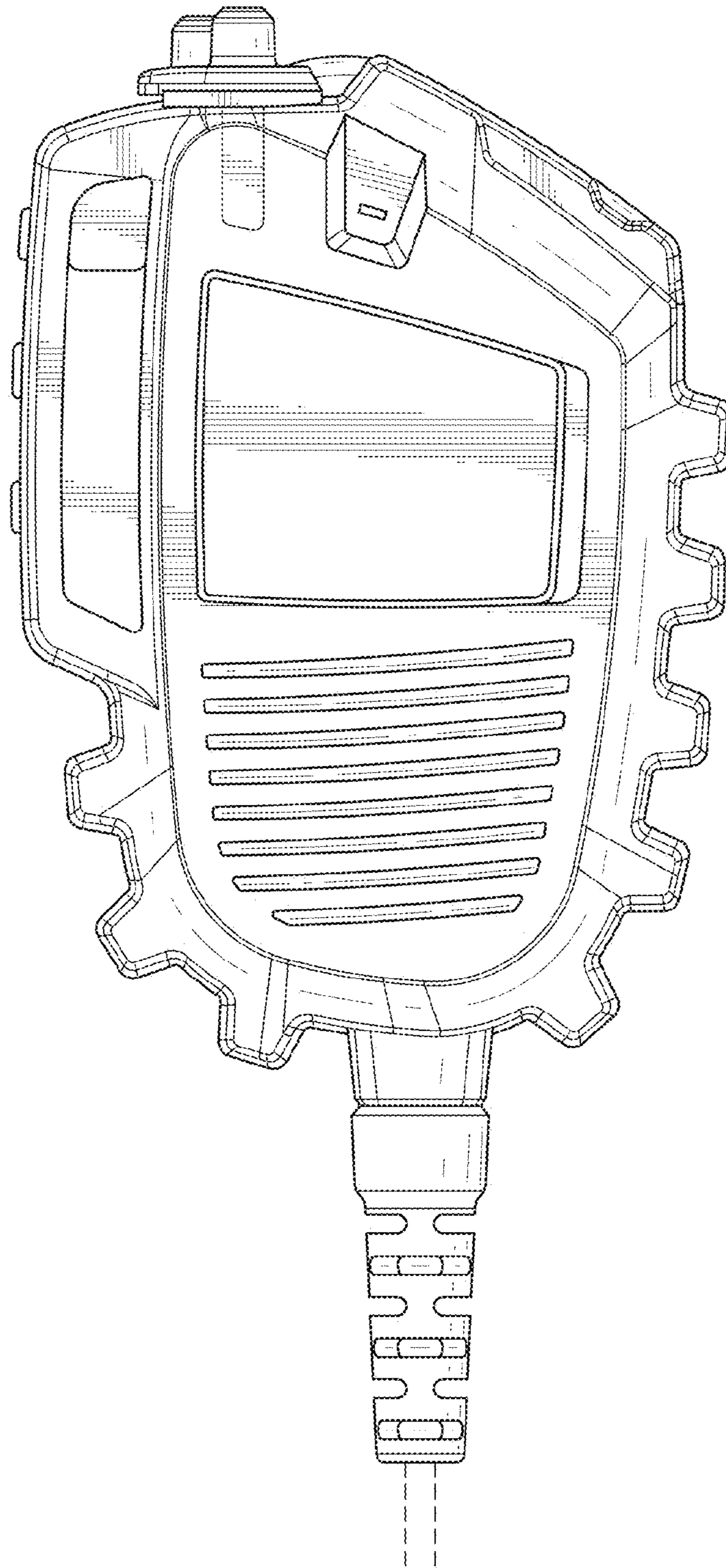


FIG. 1

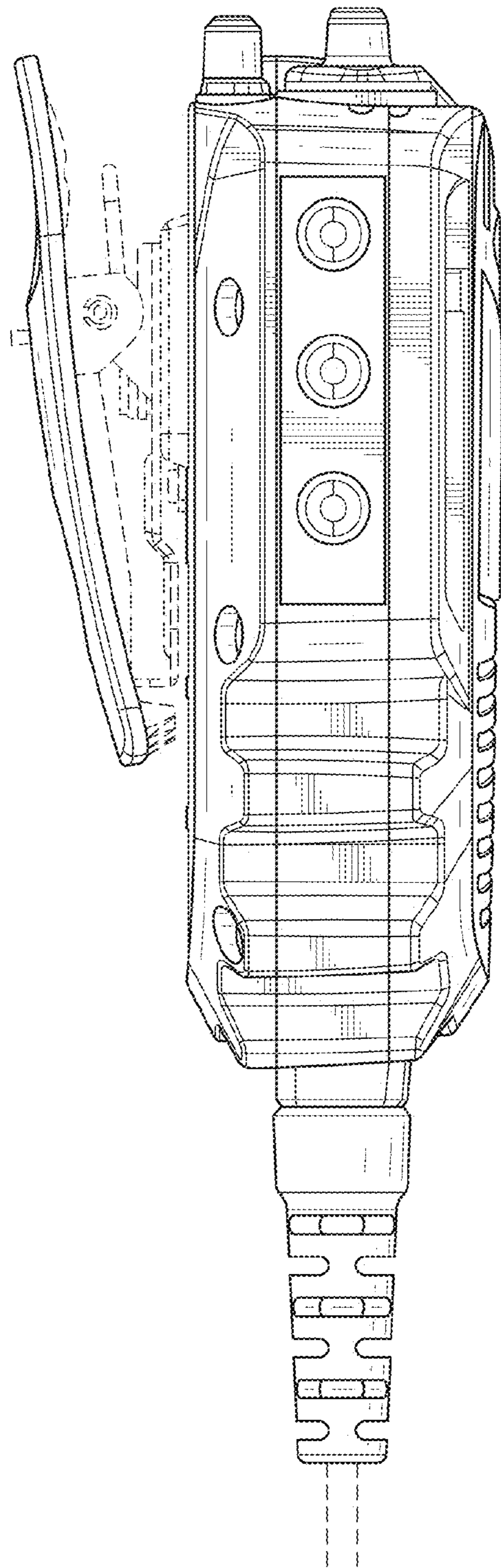


FIG.2

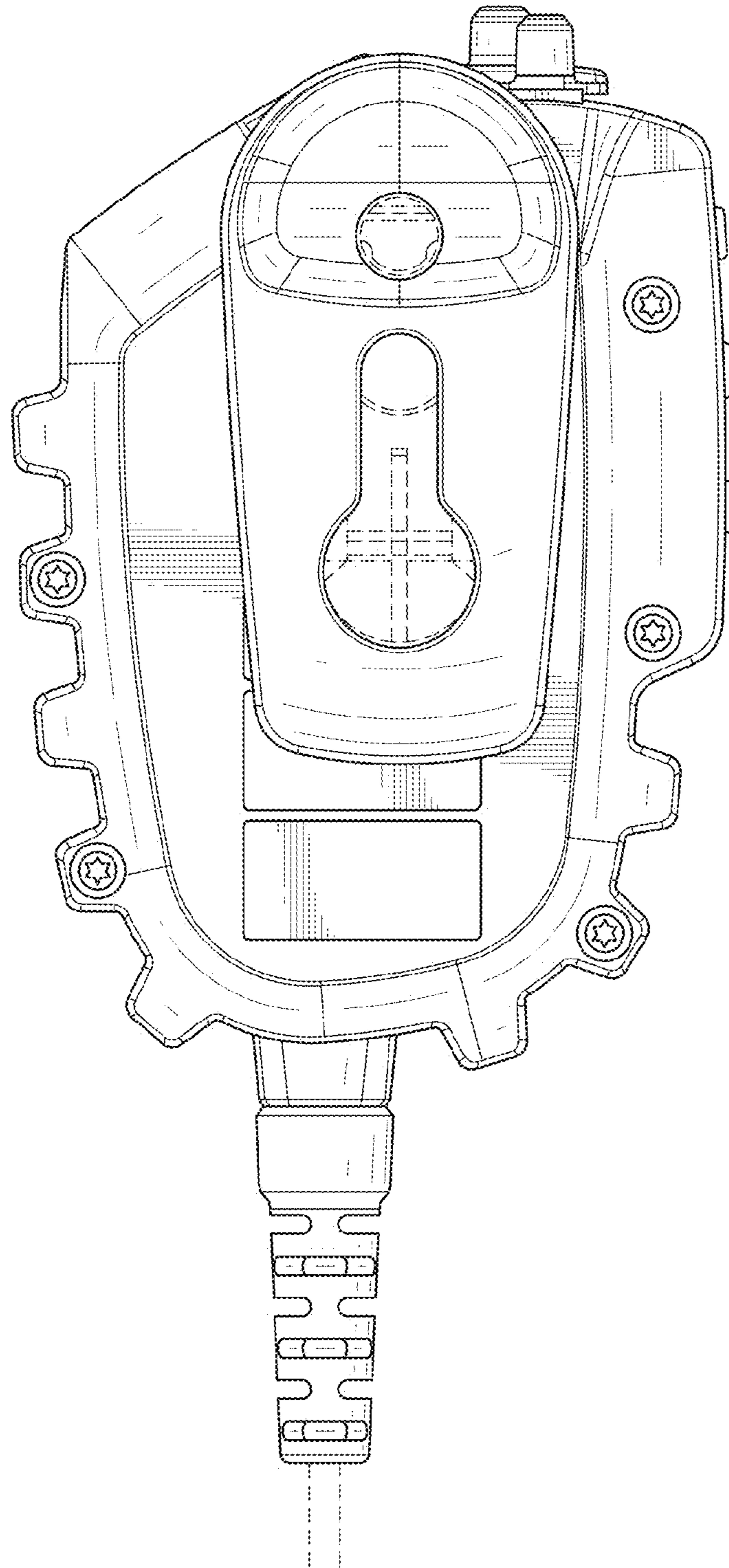


FIG.3

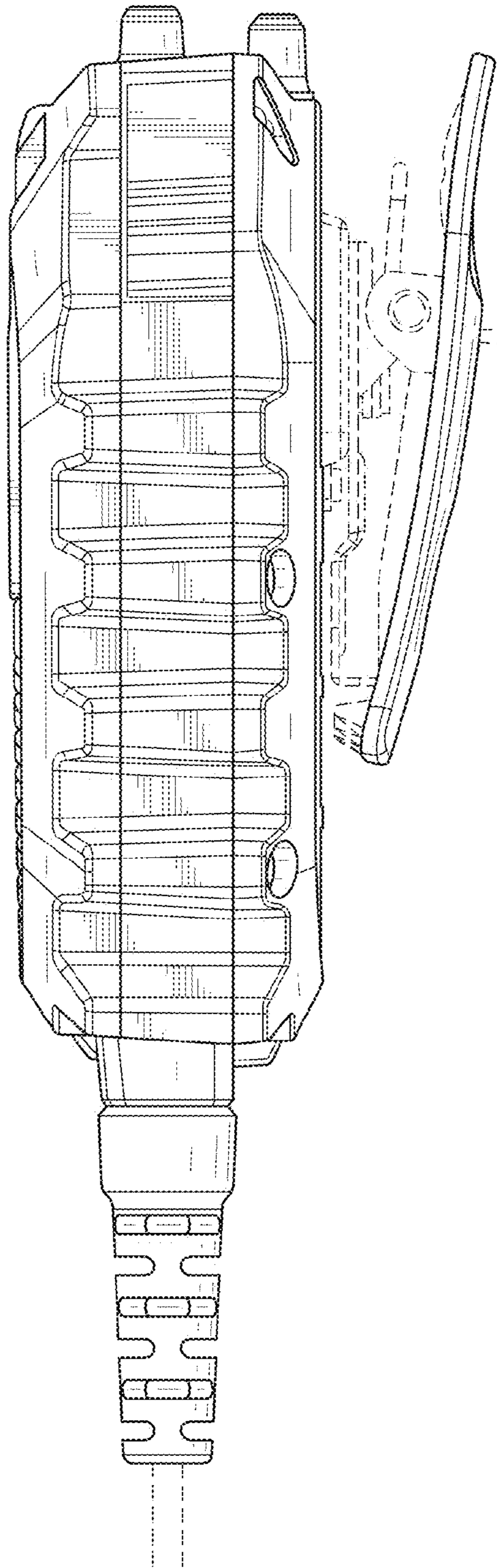


FIG.4

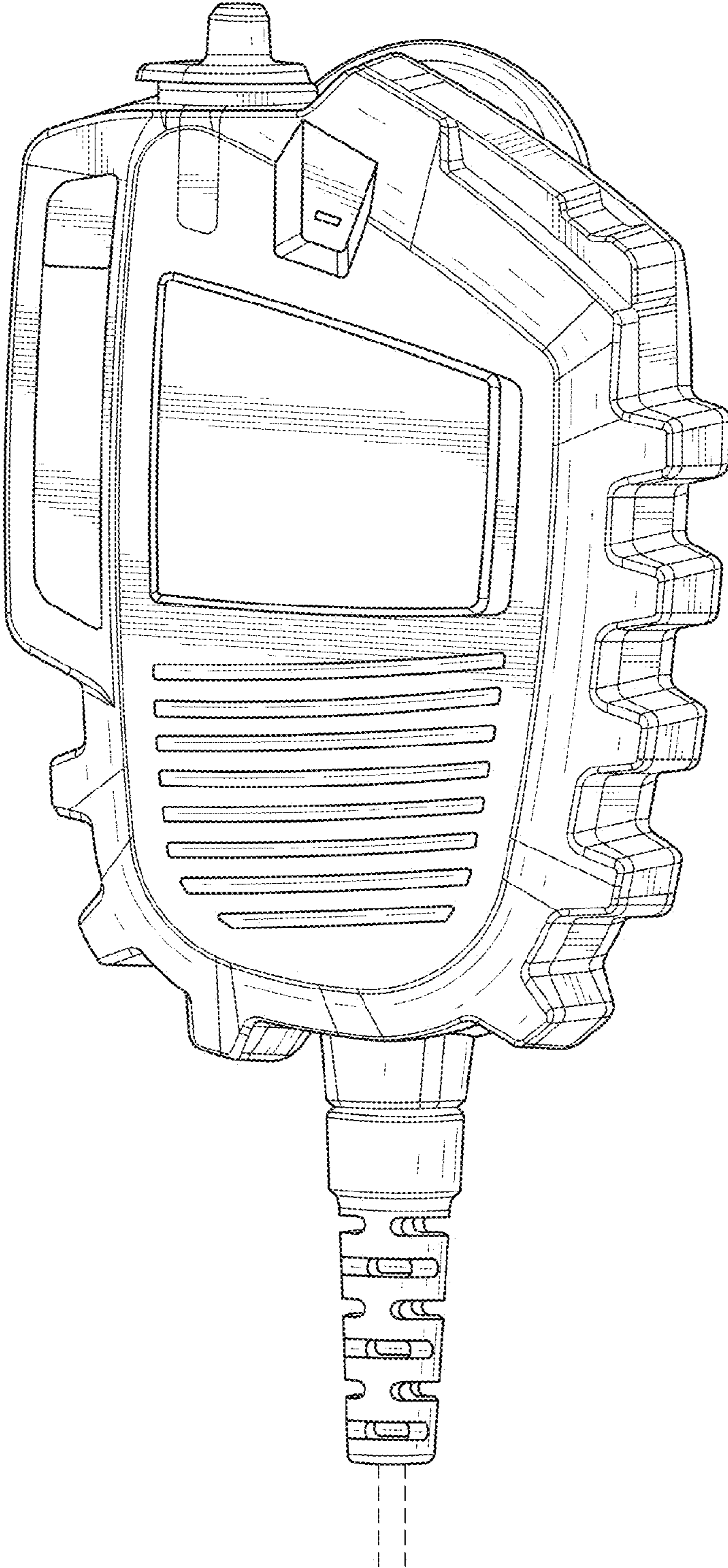


FIG.5

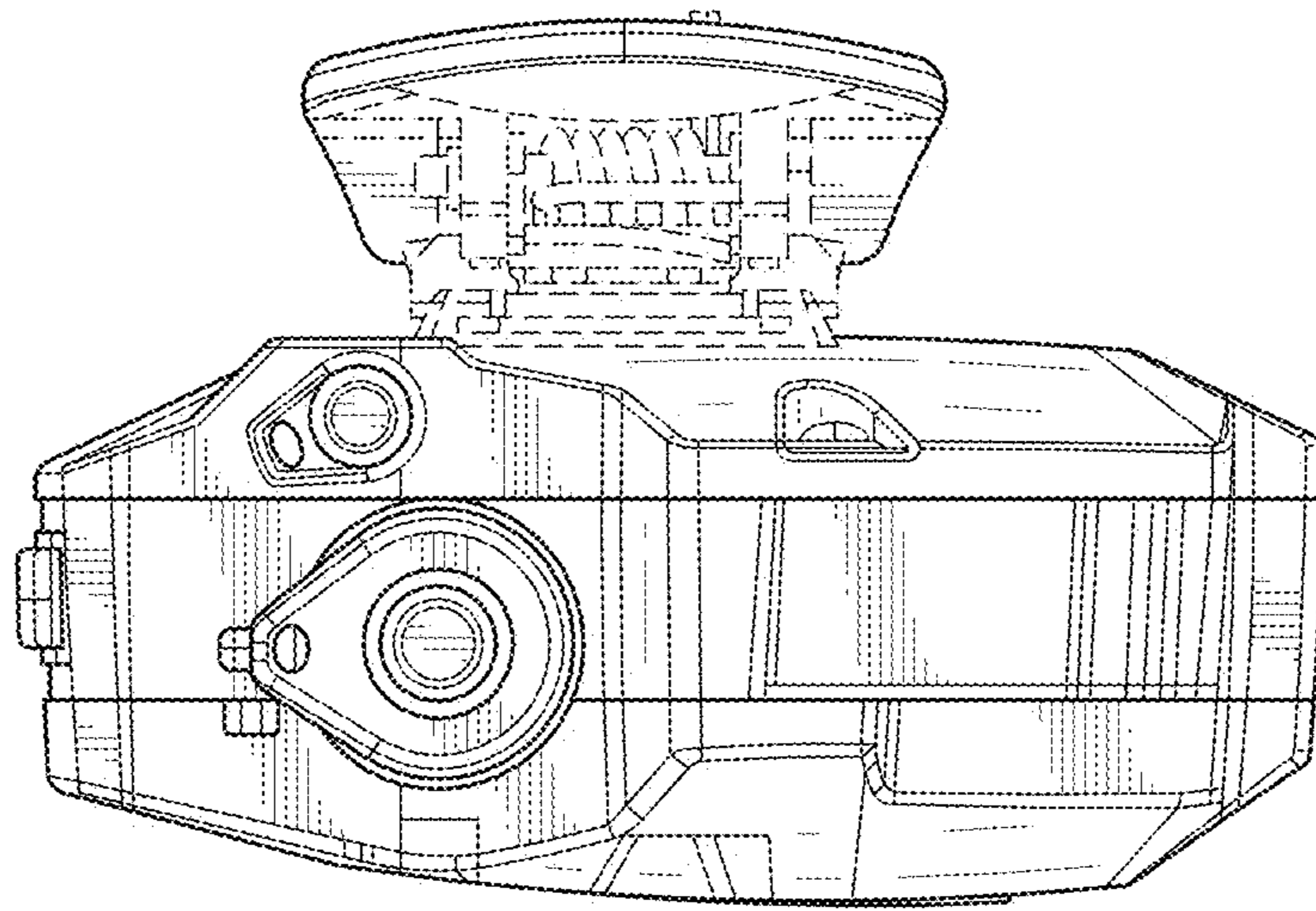


FIG.6