



US00D744453S

(12) **United States Design Patent**  
**Ryu et al.**

(10) **Patent No.:** **US D744,453 S**  
(45) **Date of Patent:** **\*\* Dec. 1, 2015**

- (54) **SPEAKER**
- (71) Applicant: **LG ELECTRONICS INC.**, Seoul (KR)
- (72) Inventors: **Daihyung Ryu**, Soowon-si (KR); **Junki Kim**, Seoul (KR); **Minjae Lee**, Gwangmyeong-si (KR)
- (73) Assignee: **LG Electronics Inc.**, Seoul (KR)
- (\*\*) Term: **14 Years**
- (21) Appl. No.: **29/475,300**
- (22) Filed: **Dec. 2, 2013**

D560,655 S \* 1/2008 Carbone et al. .... D14/211  
 D561,740 S \* 2/2008 Christianson ..... D14/211  
 D581,697 S \* 12/2008 Fix ..... D6/681.2  
 D666,994 S \* 9/2012 Pazandeh ..... D14/215

**FOREIGN PATENT DOCUMENTS**

KR 300637024.000 \* 3/2012

**OTHER PUBLICATIONS**

JVC Pulsating Sphere Speaker, announced Sep. 2006, [online], site visited May 28, 2015. Available from Internet, <URL: <http://www.jvckenwood.com>>.\*

\* cited by examiner

*Primary Examiner* — Derrick Holland  
*Assistant Examiner* — Janice Lim

(74) *Attorney, Agent, or Firm* — Birch, Stewart, Kolasch & Birch, LLP

- (30) **Foreign Application Priority Data**  
Jun. 3, 2013 (KR) ..... 30-2013-0028853
- (51) **LOC (10) Cl.** ..... **14-01**
- (52) **U.S. Cl.**  
USPC ..... **D14/204**
- (58) **Field of Classification Search**  
USPC ..... D6/329, 462; D14/188, 194–196,  
D14/203.14, 204, 207, 209.1, 210–216, 221,  
D14/222, 224; D26/24, 93; 211/182, 195,  
211/196, 205; 381/300, 332, 334, 336, 345,  
381/361–363, 386, 387  
CPC ..... H04B 1/08; H04R 1/02; H04R 5/02;  
H04R 25/60; H04R 25/65; H04R 25/608  
See application file for complete search history.

(57) **CLAIM**

The ornamental design for a speaker, as shown and described.

**DESCRIPTION**

FIG. 1 is a perspective view of a speaker showing our new design;  
 FIG. 2 is a front view thereof;  
 FIG. 3 is a rear view thereof;  
 FIG. 4 is a left side view thereof, and the right side view being a mirror image thereof;  
 FIG. 5 is a top plan view thereof;  
 FIG. 6 is a bottom plan view thereof;  
 FIG. 7 is a second perspective view thereof, shown in use; and,  
 FIG. 8 is a third perspective view thereof, with the docking part in a closed condition.  
 The broken line portions in FIG. 7 show unclaimed subject matter only and form no part of the claimed design.

**1 Claim, 7 Drawing Sheets**

- (56) **References Cited**  
U.S. PATENT DOCUMENTS  
D314,354 S \* 2/1991 Droschl ..... D10/115  
D353,378 S \* 12/1994 Lewis ..... D14/211  
D417,872 S \* 12/1999 Monson ..... D14/211  
6,065,233 A \* 5/2000 Rink ..... 40/607.1  
D541,789 S \* 5/2007 Carbone et al. .... D14/211

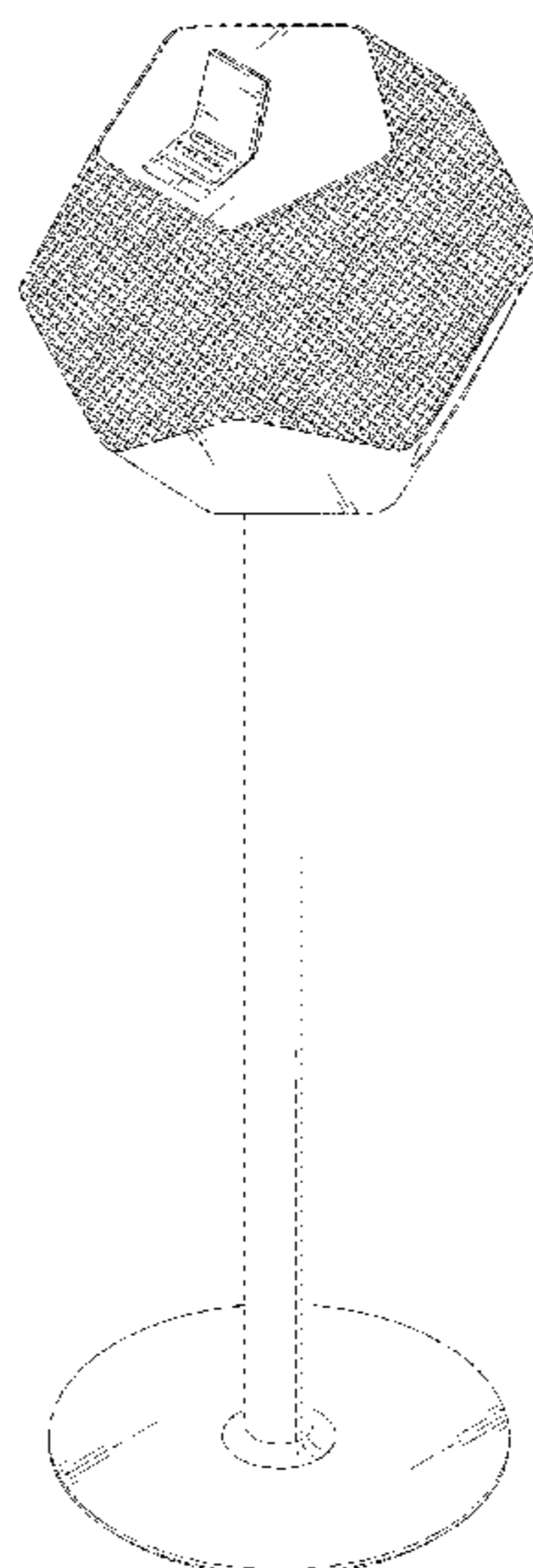


FIG. 1

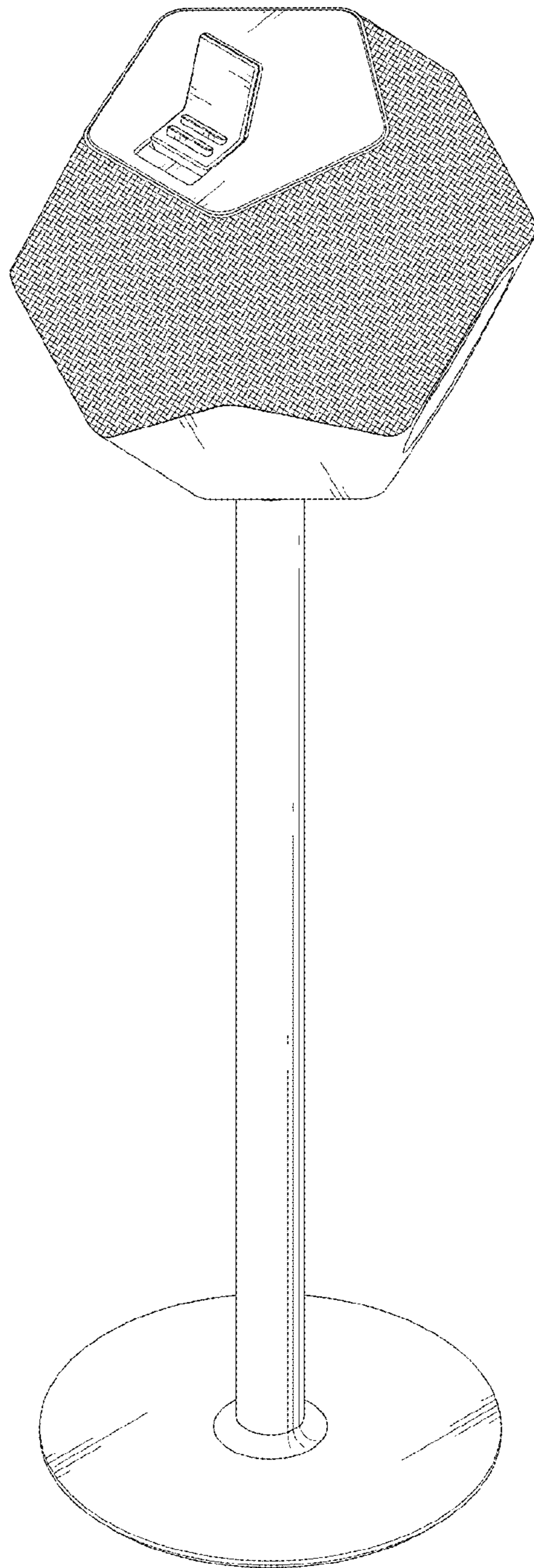


FIG. 2

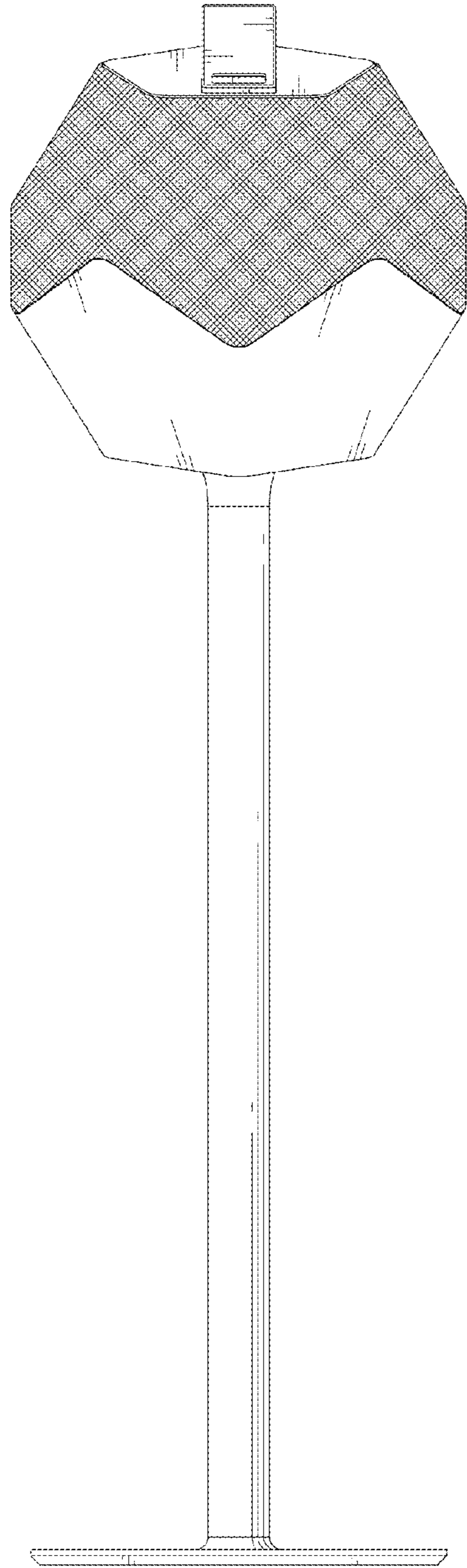


FIG. 3

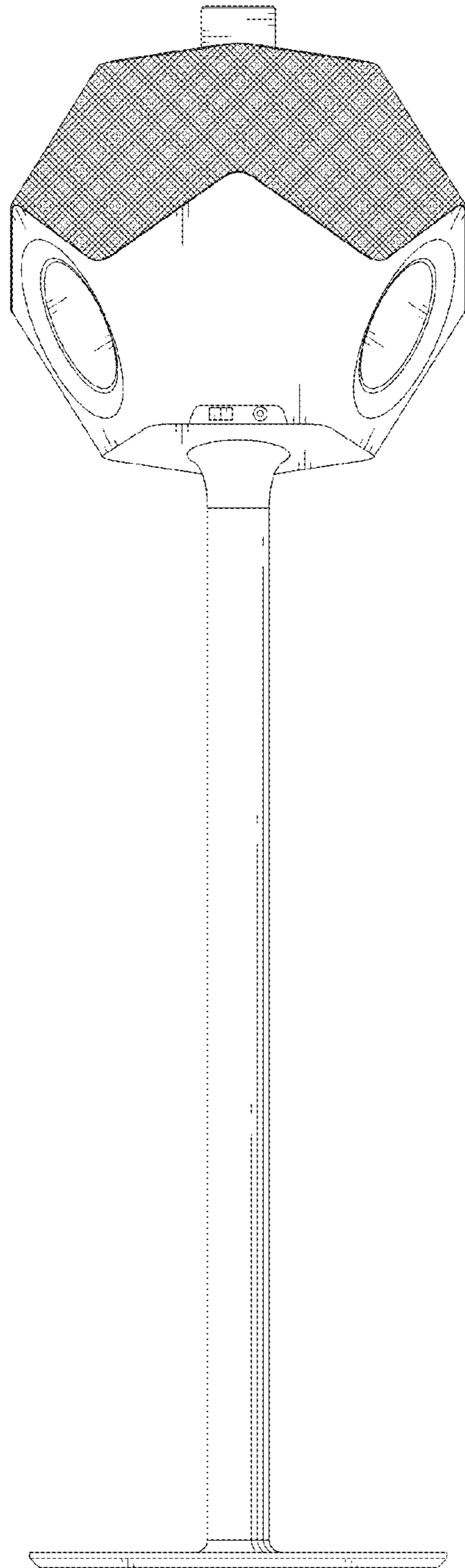




FIG. 4

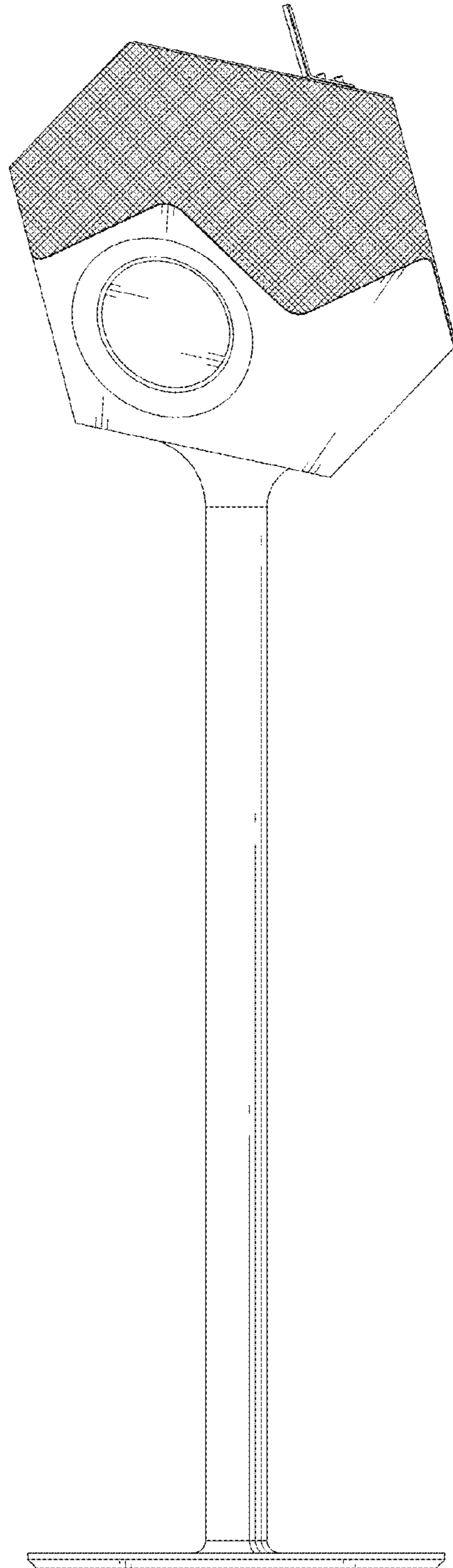


FIG. 5

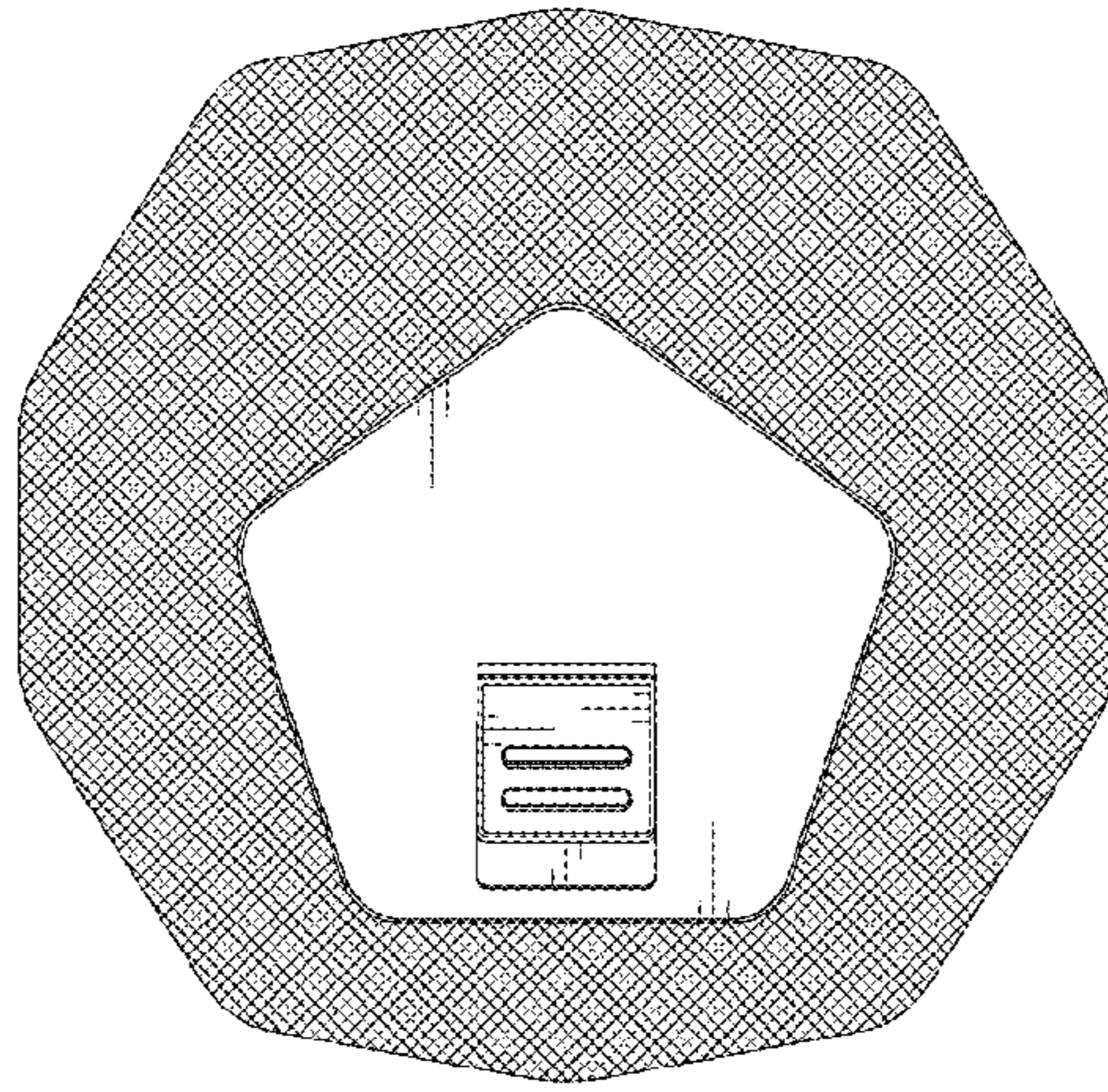


FIG. 6

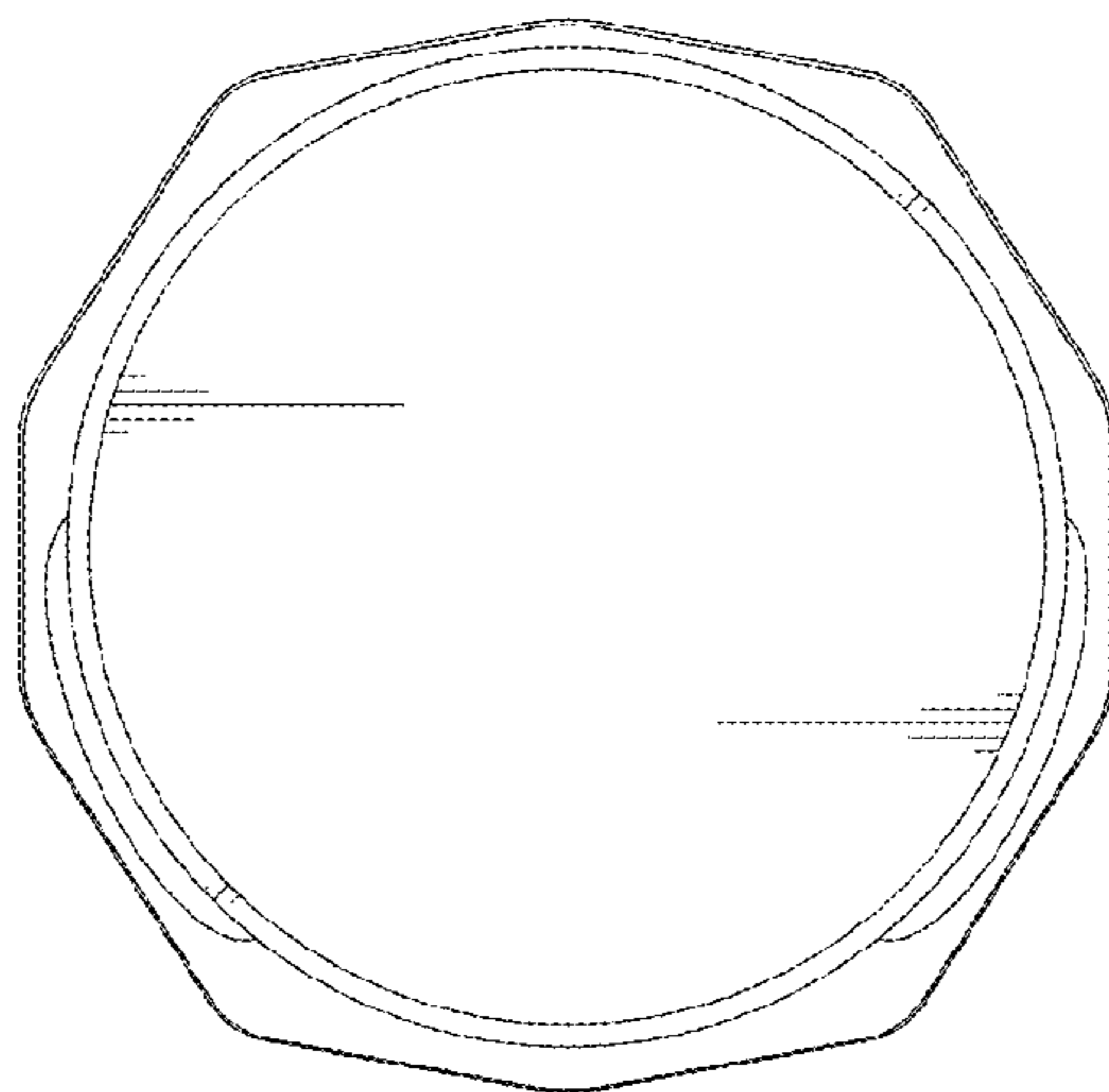


FIG. 7

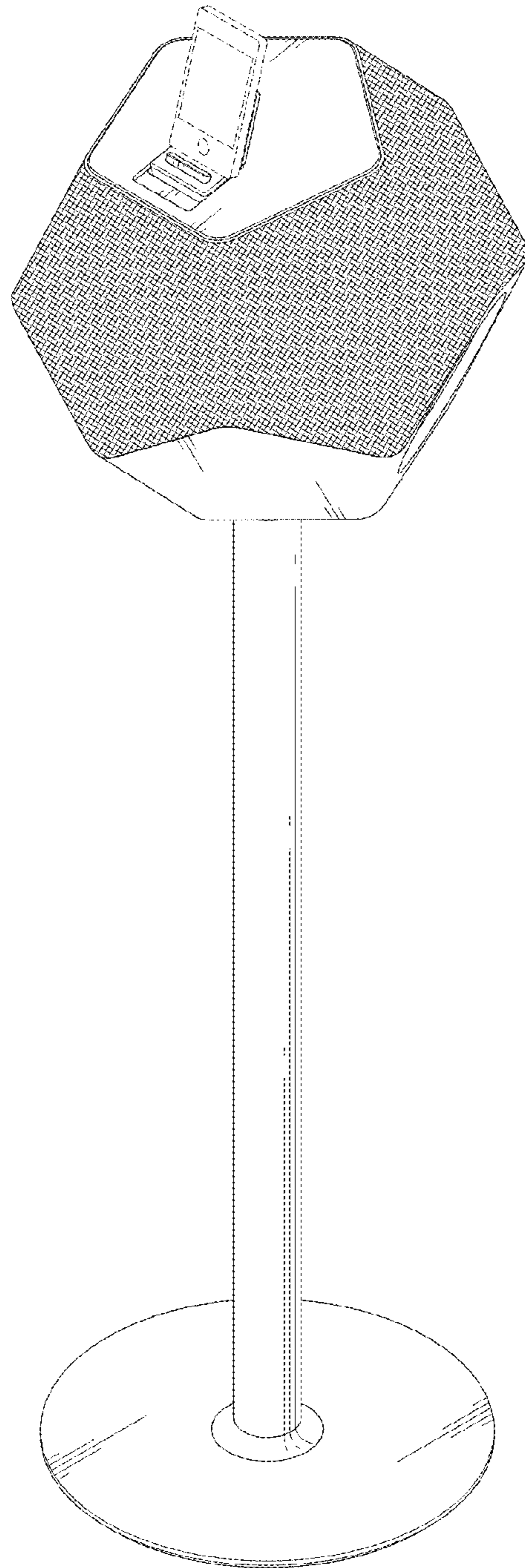


FIG. 8

