



US00D744444S

(12) **United States Design Patent**
Kim et al.

(10) **Patent No.:** **US D744,444 S**
(45) **Date of Patent:** **** Dec. 1, 2015**

(54) **TELEVISION RECEIVER**

(71) Applicant: **LG Electronics Inc.**, Seoul (KR)
(72) Inventors: **Jongchul Kim**, Seoul (KR); **Jiyeon Lee**, Seoul (KR)
(73) Assignee: **LG Electronics Inc.**, Seoul (KR)
(**) Term: **14 Years**
(21) Appl. No.: **29/494,700**
(22) Filed: **Jun. 24, 2014**

(30) **Foreign Application Priority Data**

Jan. 7, 2014 (KR) 30-2014-0000873
(51) **LOC (10) Cl.** **14-03**
(52) **U.S. Cl.**
USPC **D14/126**

(58) **Field of Classification Search**

USPC D14/125-134, 239, 371, 136, 374-377, D14/440, 450, 448, 336, 342, 159; 312/7.2; 348/836, 838, 180, 184, 325, 739; 248/917-924, 465; 345/104, 133, 156, 345/168, 87, 173; D21/329, 515, 577, 622, D21/333, 433, 448, 452, 450, 331, 505; D10/15, 26; 446/484, 175, 356; D6/477, 479, 300
CPC ... G06F 1/1601; G06F 1/1643; H05K 5/0004; H05K 5/02; H05K 5/0017; H05K 5/0217
See application file for complete search history.

(56) **References Cited**

U.S. PATENT DOCUMENTS

D526,627 S *	8/2006	Williams	D14/126
D611,918 S *	3/2010	Shih et al.	D14/126
D622,684 S *	8/2010	Kim et al.	D14/126
D651,995 S *	1/2012	Johnson et al.	D14/126
D660,815 S *	5/2012	Itou et al.	D14/126
D661,268 S *	6/2012	Itou et al.	D14/126
D665,760 S *	8/2012	Chiu	D14/126
D669,443 S *	10/2012	Kim et al.	D14/126
D680,106 S *	4/2013	Hwangbo et al.	D14/239
D716,244 S *	10/2014	Kim et al.	D14/126
D718,264 S *	11/2014	Park et al.	D14/126
D725,619 S *	3/2015	Choi	D14/126

* cited by examiner

Primary Examiner — Raphael Barkai
(74) *Attorney, Agent, or Firm* — Morgan, Lewis & Bockius LLP

(57) **CLAIM**
The ornamental design for a television receiver, as shown and described.

DESCRIPTION

FIG. 1 is a perspective view of a television receiver showing our new design;
FIG. 2 is a front view thereof;
FIG. 3 is a rear view thereof;
FIG. 4 is a left side view thereof where the right side view is a mirror image;
FIG. 5 is a to plan view thereof;
FIG. 6 is a bottom plan view thereof;
FIG. 7 is a rear perspective view thereof; and,
FIG. 8 is a reference front view thereof showing the state in which the speaker is protruding downward.
The broken lines show unclaimed subject matter only and form no part of the claimed design.

1 Claim, 7 Drawing Sheets

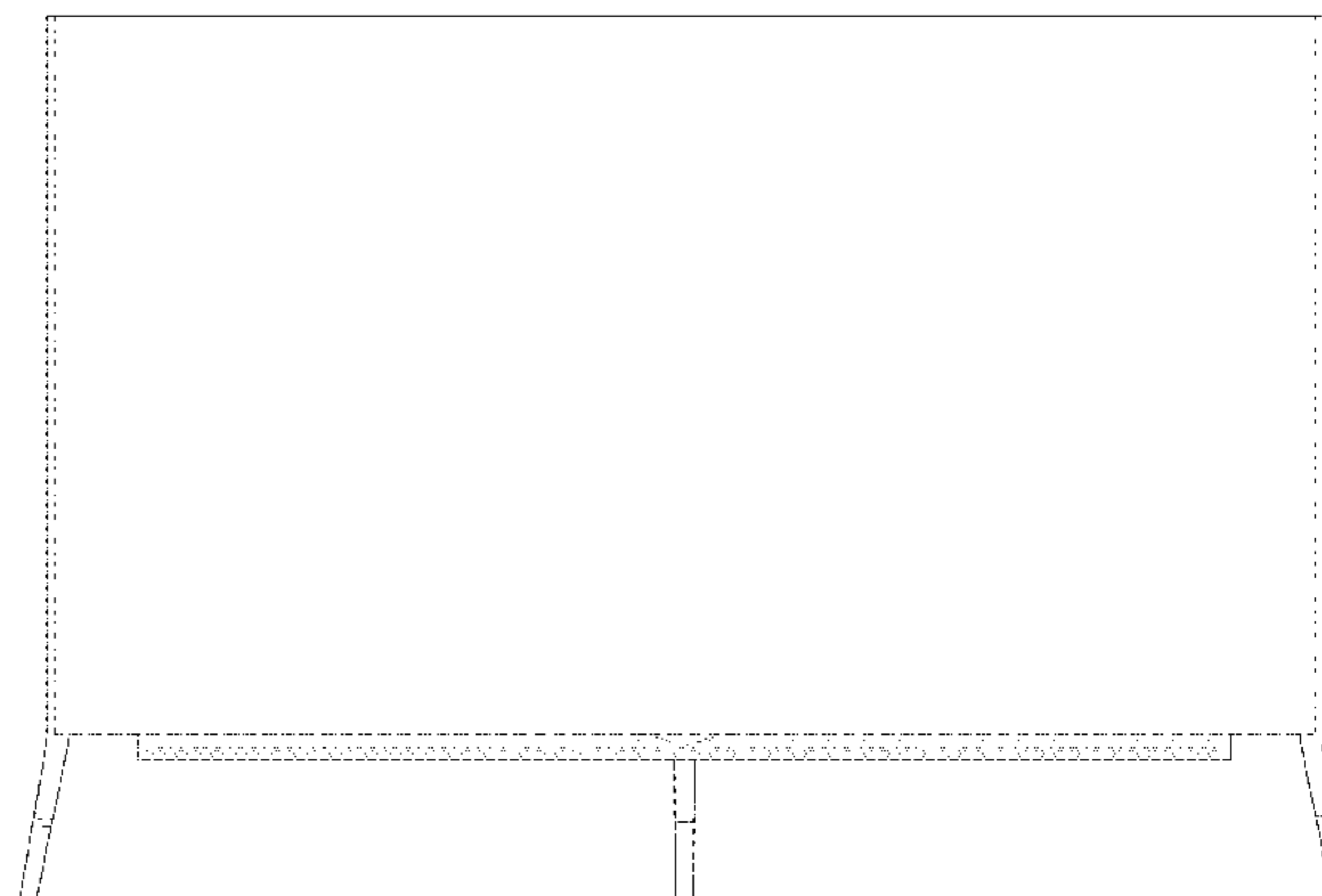
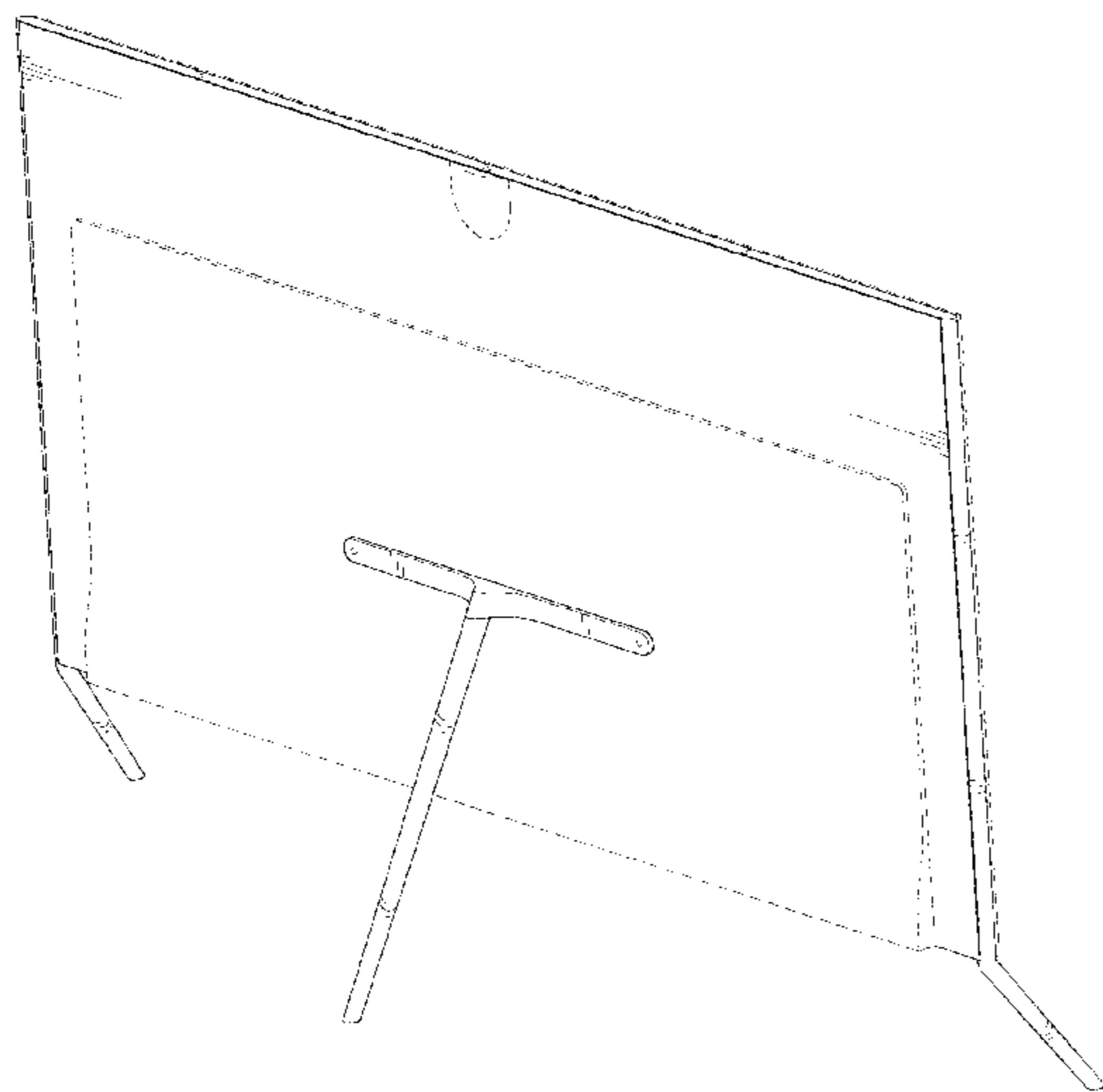


FIG. 1

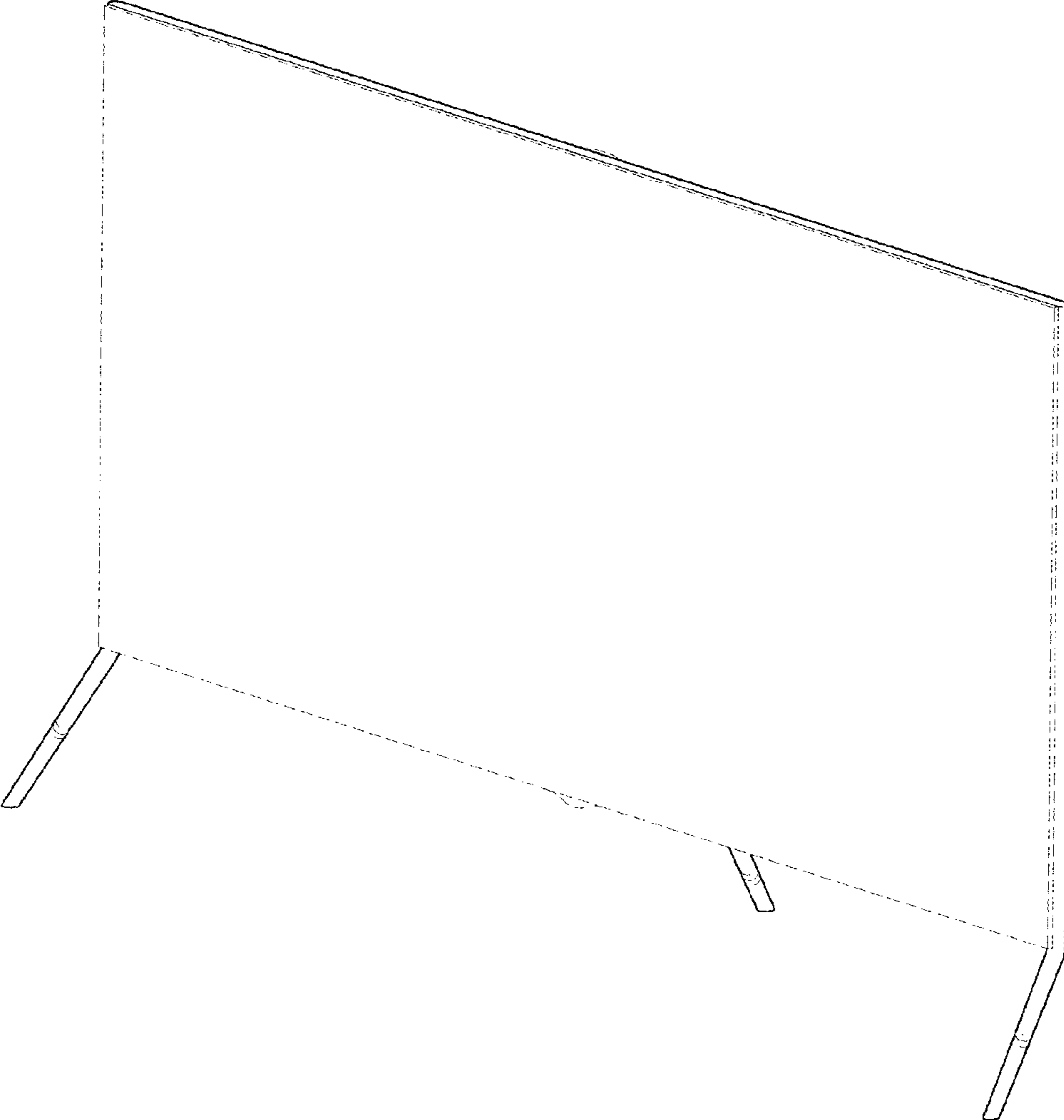


FIG. 2

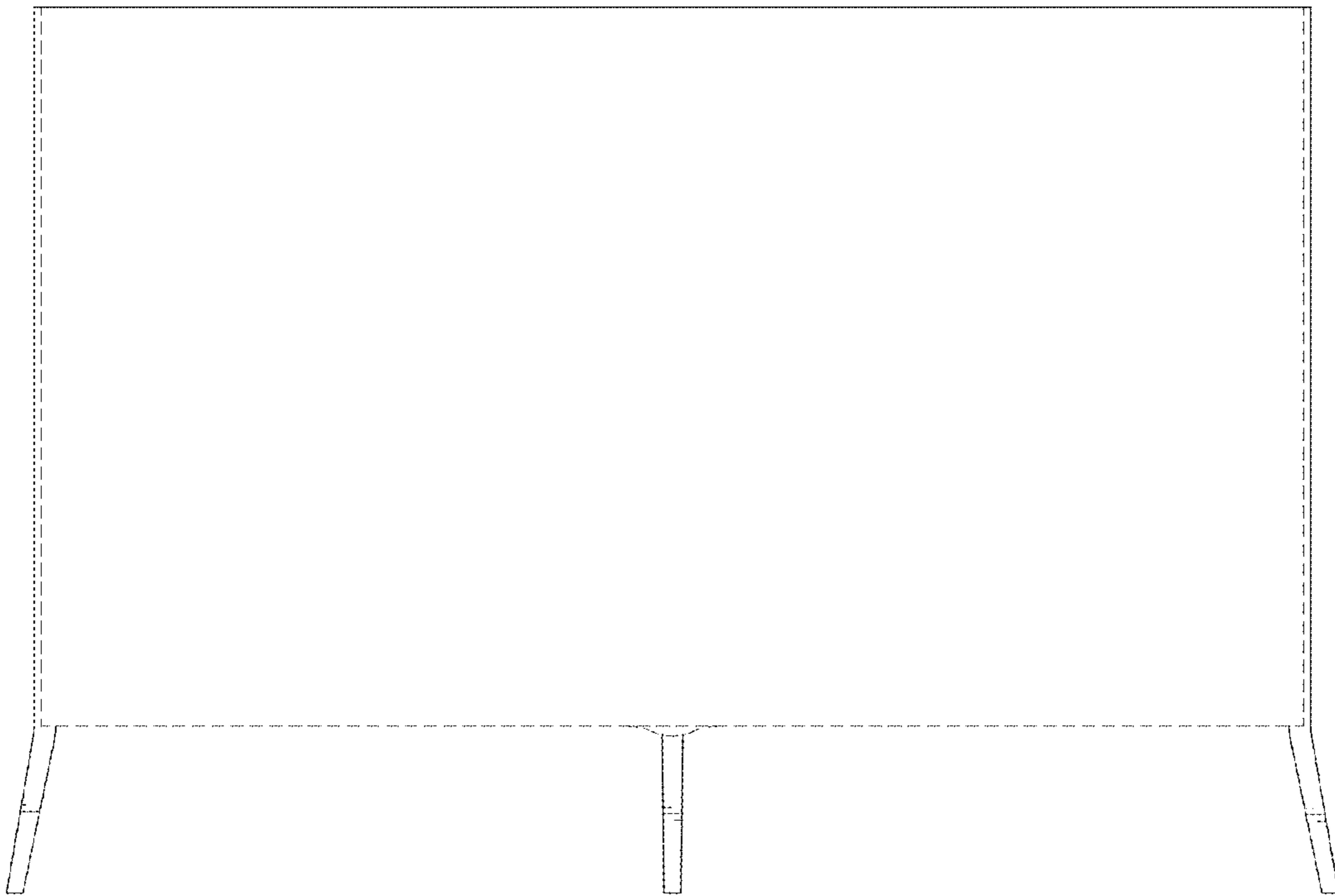


FIG. 3

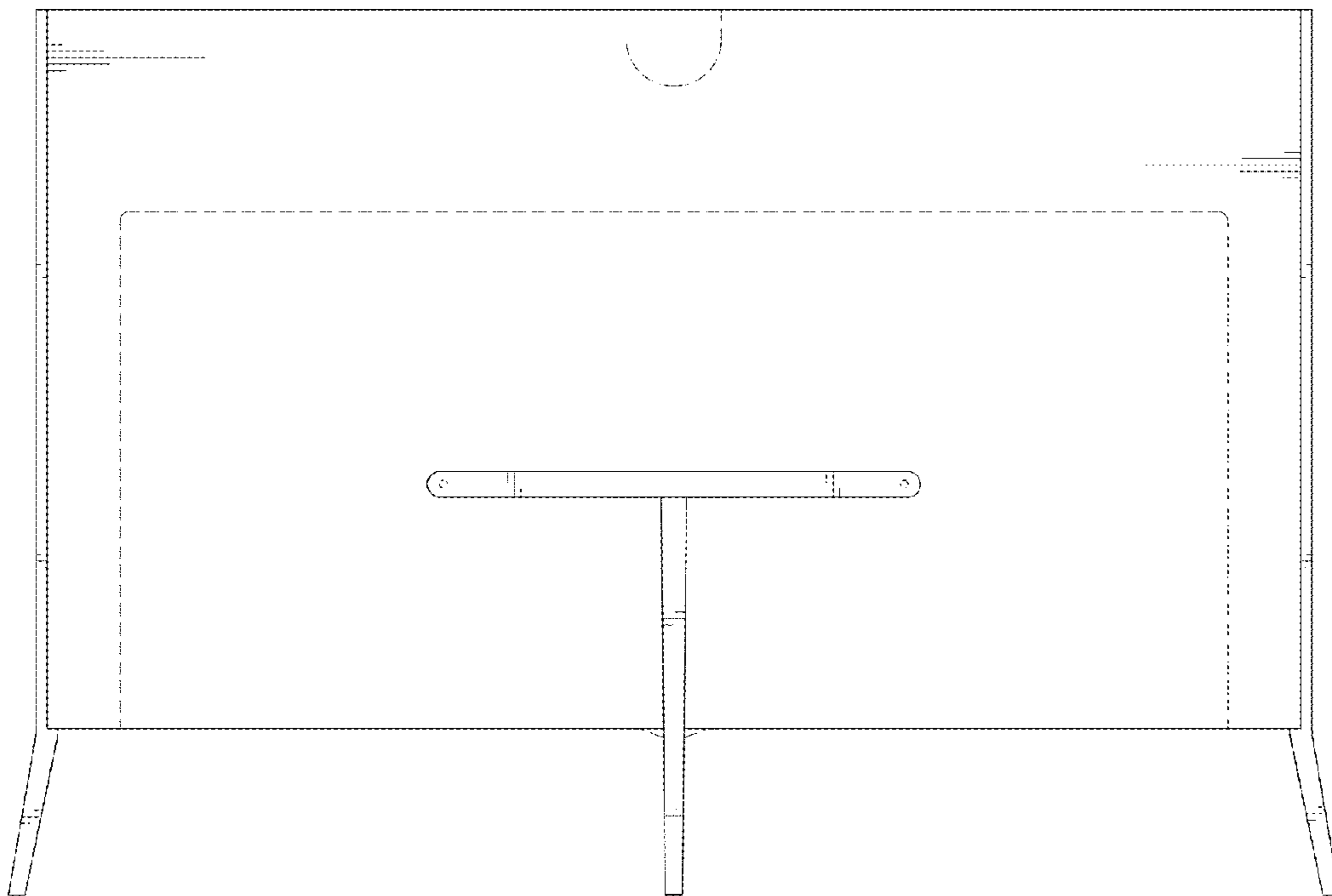


FIG. 4

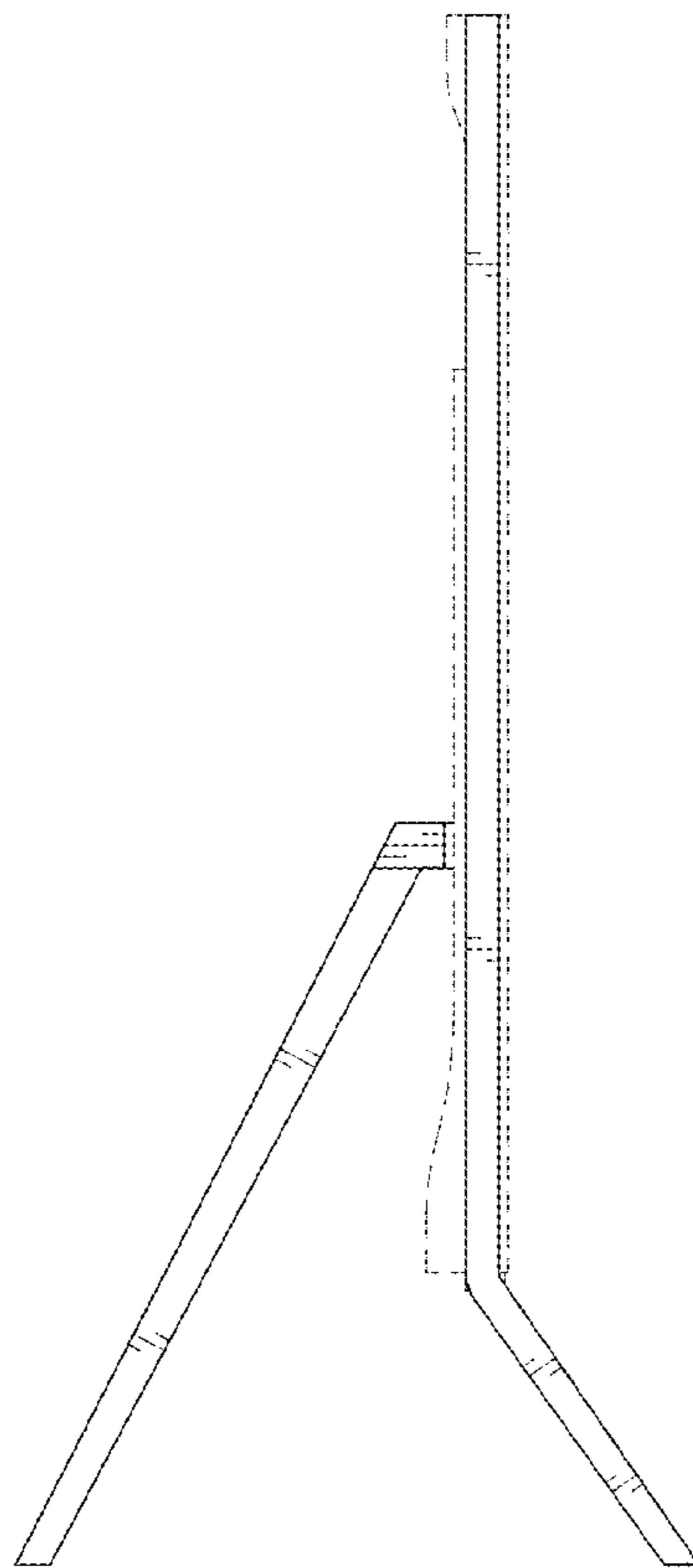


FIG. 5

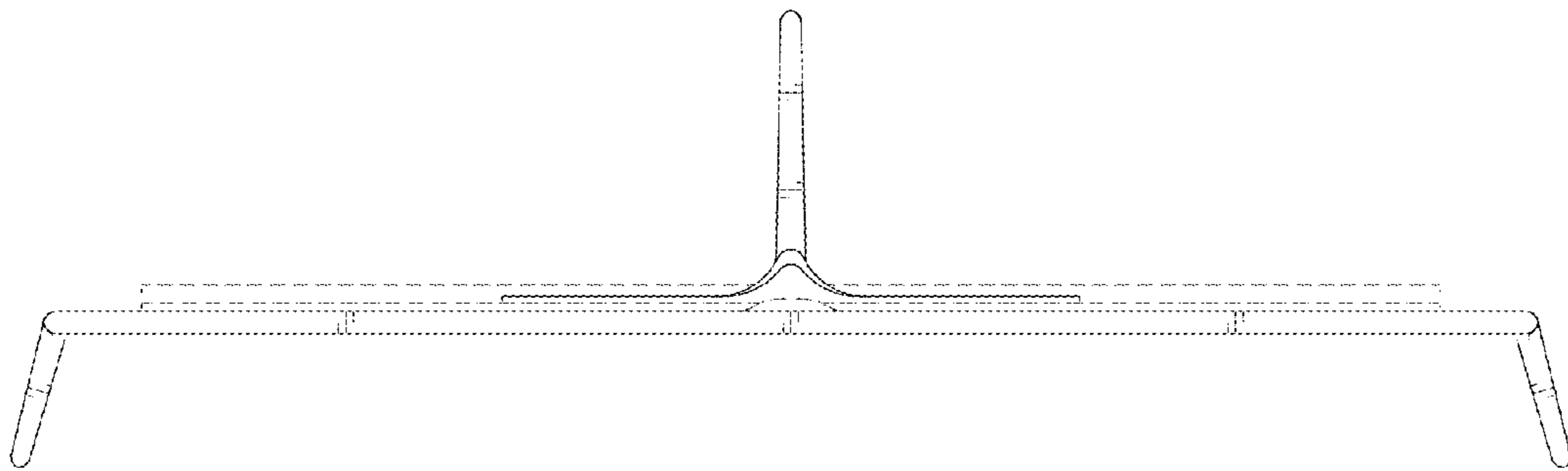


FIG. 6

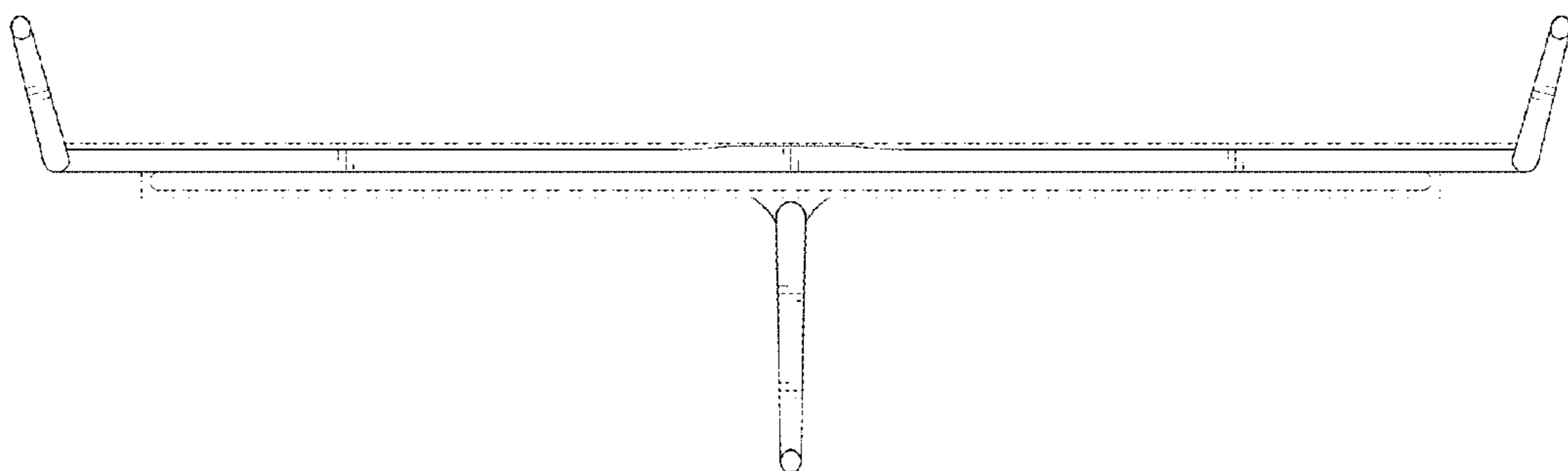


FIG. 7

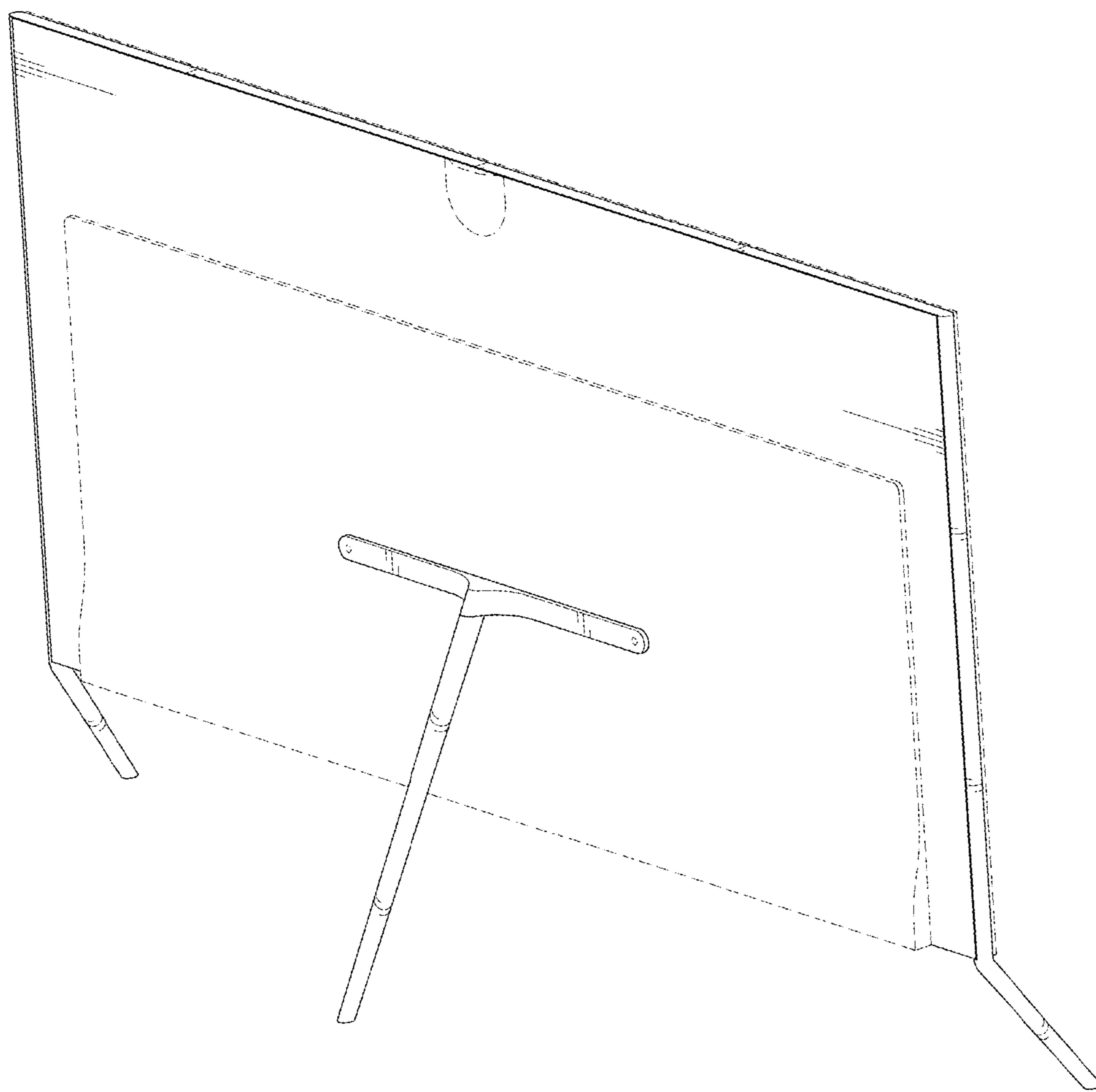


FIG. 8

