



US00D744441S

(12) **United States Design Patent**
Shin et al.

(10) **Patent No.:** **US D744,441 S**
(45) **Date of Patent:** **** Dec. 1, 2015**

(54) **TELEVISION RECEIVER**

(56) **References Cited**

(71) Applicant: **Samsung Electronics Co., Ltd.**,
Suwon-si, Gyeonggi-do (KR)
(72) Inventors: **Rina Shin**, Seoul (KR); **Hyung-Ho Hwangbo**, Seoul (KR); **Hae-Sung Park**, Seoul (KR); **Christopher Edward Bangle**, Clavesana (IT); **Nam-Hyun Park**, Namyangju-Si (KR); **Do-Sung Jung**, Seoul (KR)
(73) Assignee: **SAMSUNG ELECTRONICS CO., LTD.** (KR)

U.S. PATENT DOCUMENTS

D525,607 S *	7/2006	Chia	D14/126
D535,630 S *	1/2007	Yokota	D14/126
D568,845 S *	5/2008	Takami et al.	D14/126
D592,625 S *	5/2009	Hwang	D14/130
D648,296 S *	11/2011	Lee et al.	D14/126
D691,979 S *	10/2013	Park	D14/126
D699,713 S *	2/2014	Seong	D14/239
D701,186 S *	3/2014	Kim	D14/126
D709,469 S *	7/2014	Ryu et al.	D14/126
D709,845 S *	7/2014	Itou et al.	D14/126
D714,749 S *	10/2014	Park et al.	D14/126
D716,243 S *	10/2014	Kim et al.	D14/126
D723,043 S *	2/2015	Chang	D14/451

* cited by examiner

Primary Examiner — Susan Bennett Hattan

Assistant Examiner — Brett Miller

(74) *Attorney, Agent, or Firm* — Cantor Colburn LLP

(**) Term: **14 Years**

(21) Appl. No.: **29/472,317**

(22) Filed: **Nov. 11, 2013**

(30) **Foreign Application Priority Data**

Jun. 20, 2013 (KR) 30-2013-0031780

(51) **LOC (10) Cl.** **14-03**

(52) **U.S. Cl.**
USPC **D14/126**

(58) **Field of Classification Search**
USPC D14/371–382, 125–134, 239, 448–452,
D14/136, 341, 479, 389, 397, 308, 412, 157,
D14/155, 511, 432, 498, 138 AD;
361/679.02; 348/836, 838, 180, 184,
348/325, 739; 248/917–924, 465; 345/104;
D6/300, 301, 302, 308, 310–314
CPC G01F 1/1601

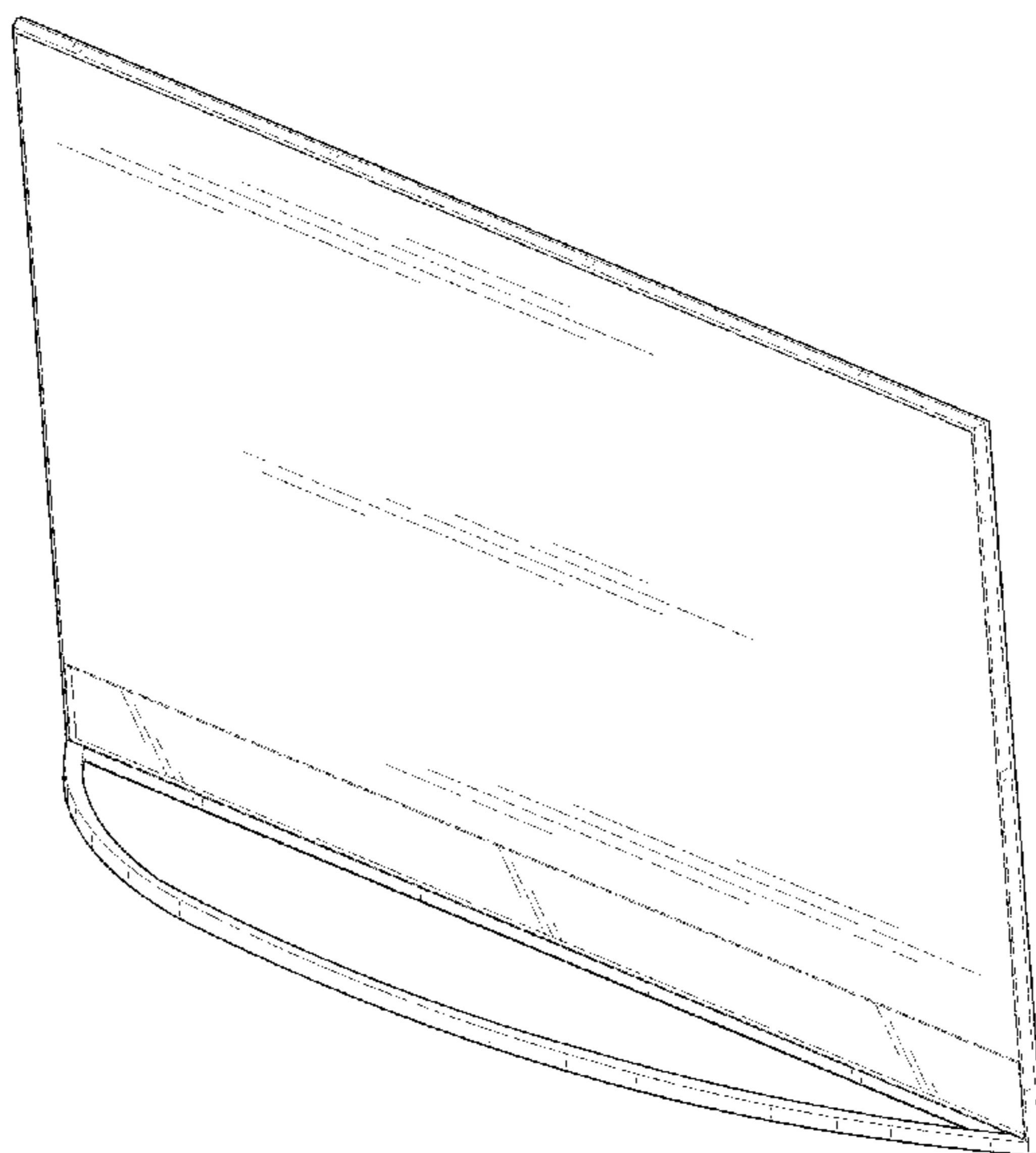
See application file for complete search history.

(57) **CLAIM**
The ornamental design for a television receiver, as shown and described.

DESCRIPTION

FIG. 1 is a perspective view of a television receiver, showing our new design;
FIG. 2 is a front view thereof;
FIG. 3 is a rear view thereof;
FIG. 4 is a side view thereof;
FIG. 5 is another side view thereof;
FIG. 6 is a top plan view thereof;
FIG. 7 is a bottom plan view thereof; and,
FIG. 8 is a rear perspective view thereof.
The shade lines in the figures show contour and not surface ornamentation.

1 Claim, 7 Drawing Sheets



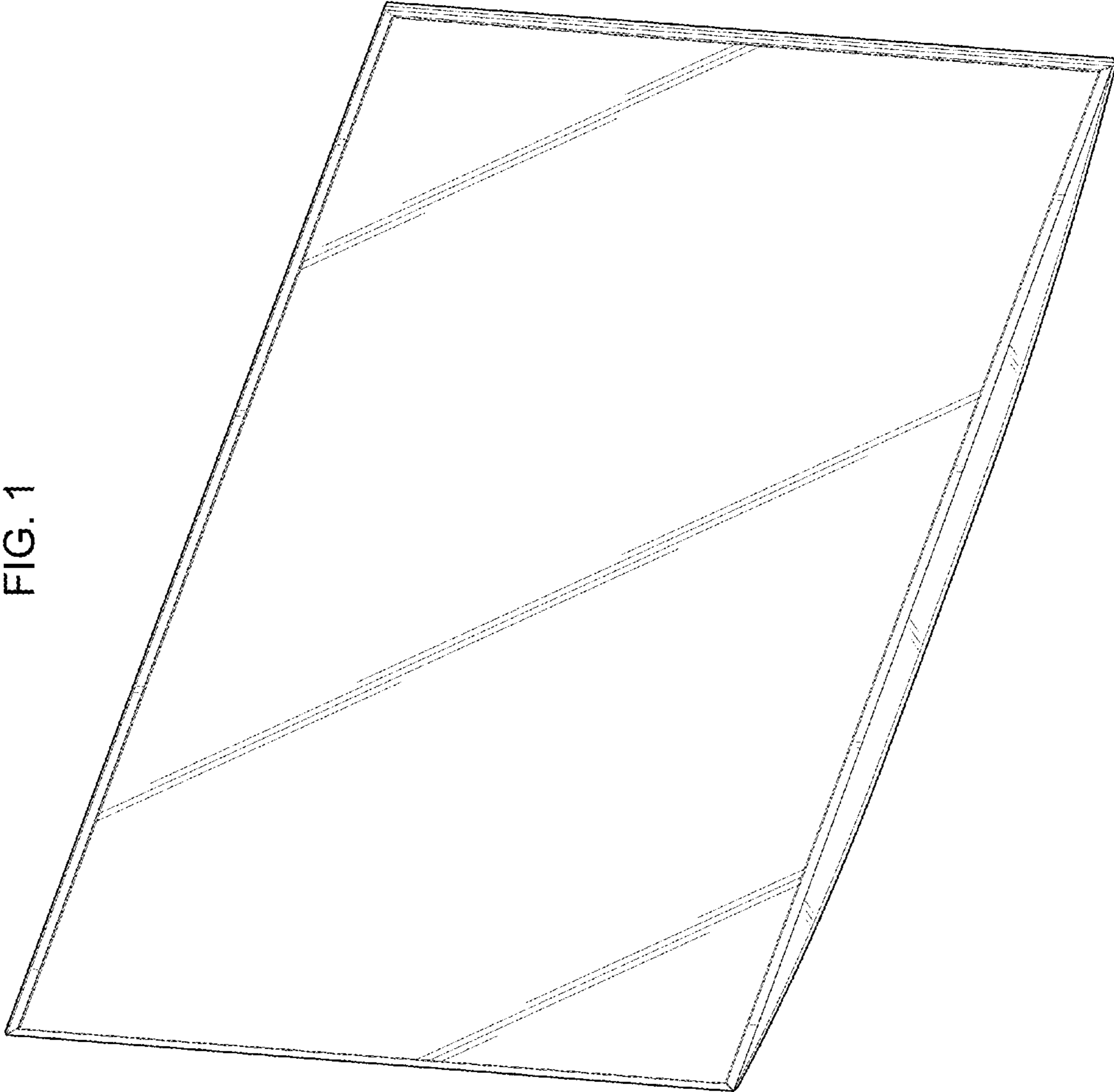


FIG. 1

FIG. 2

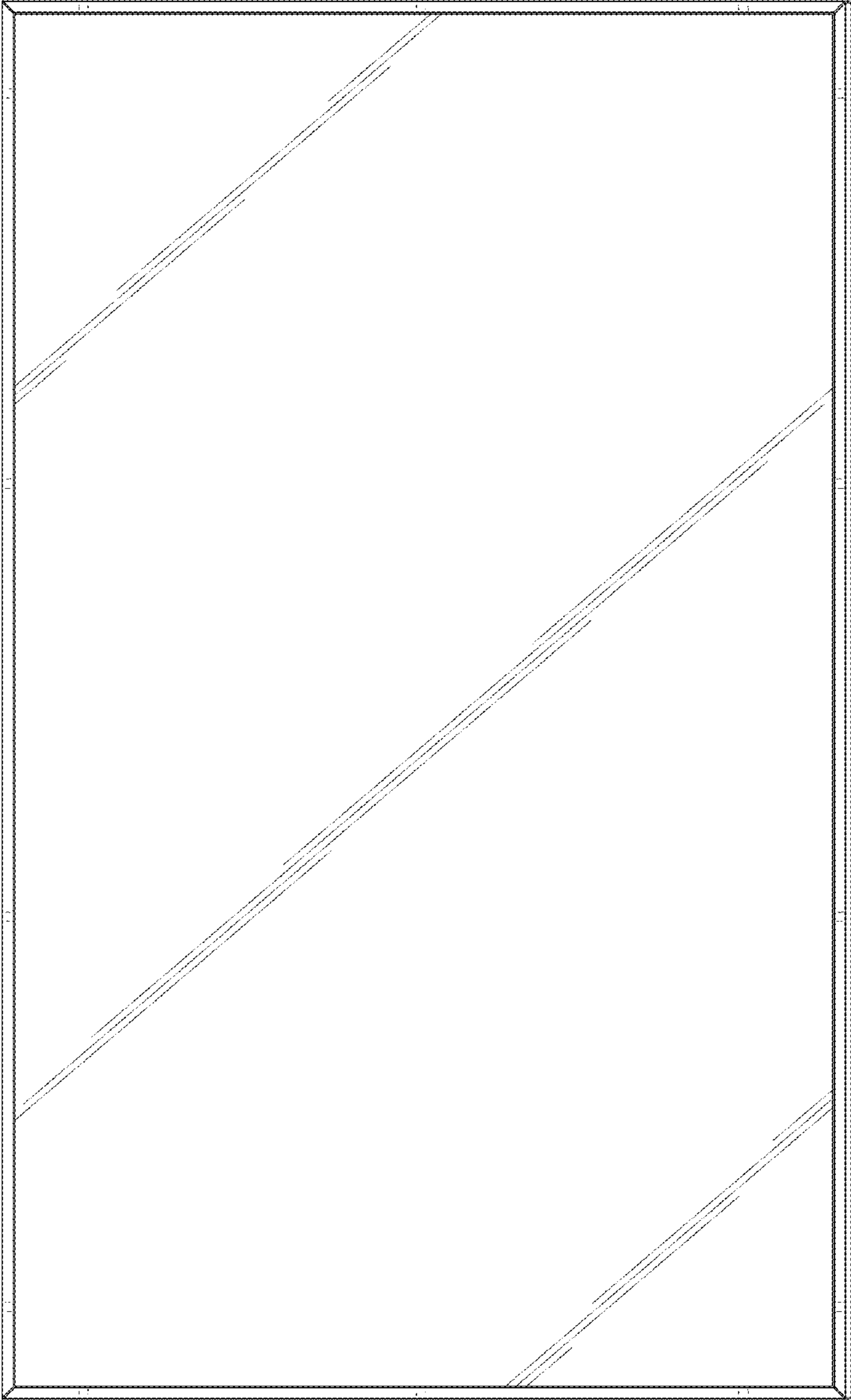


FIG. 3

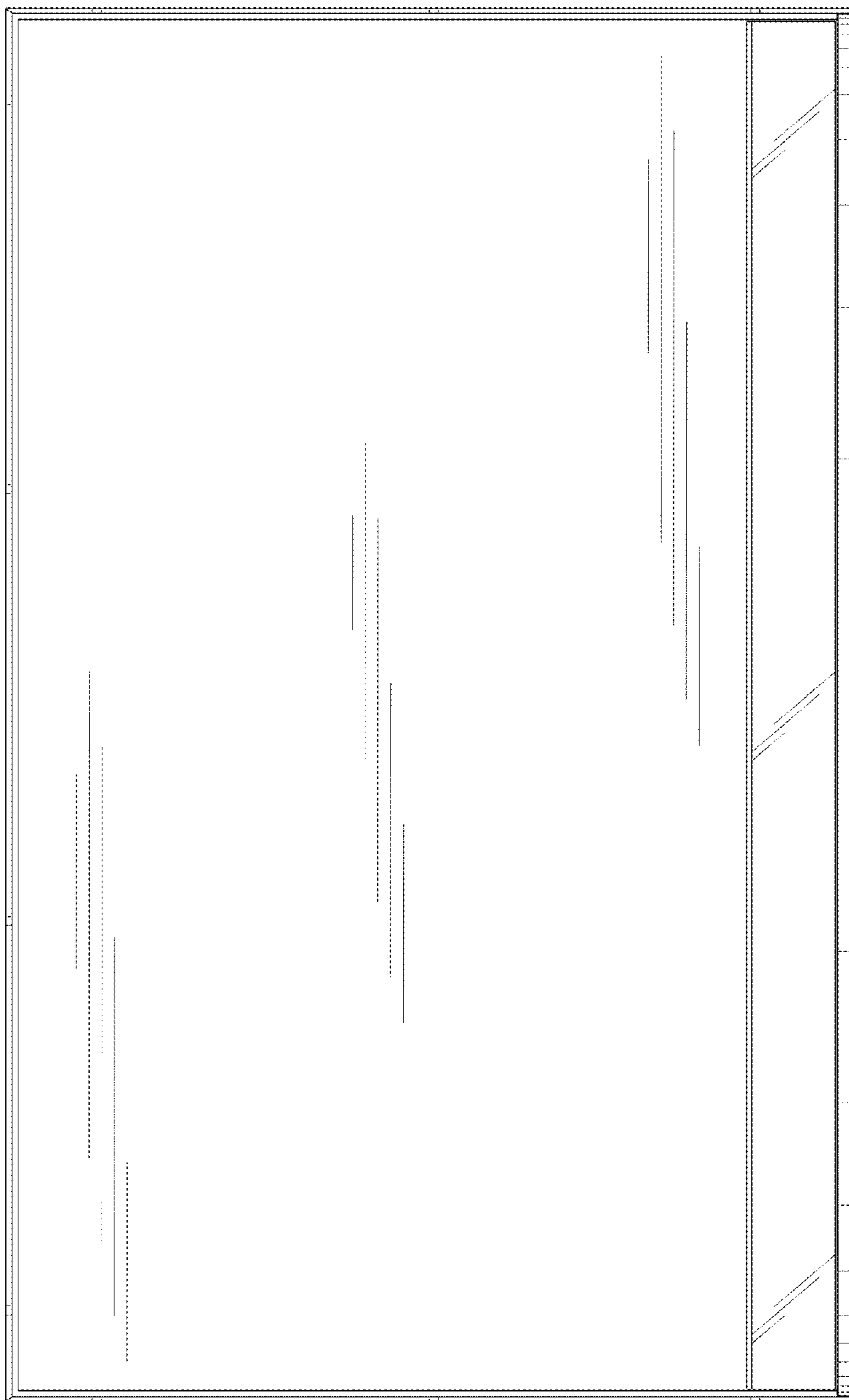


FIG. 5

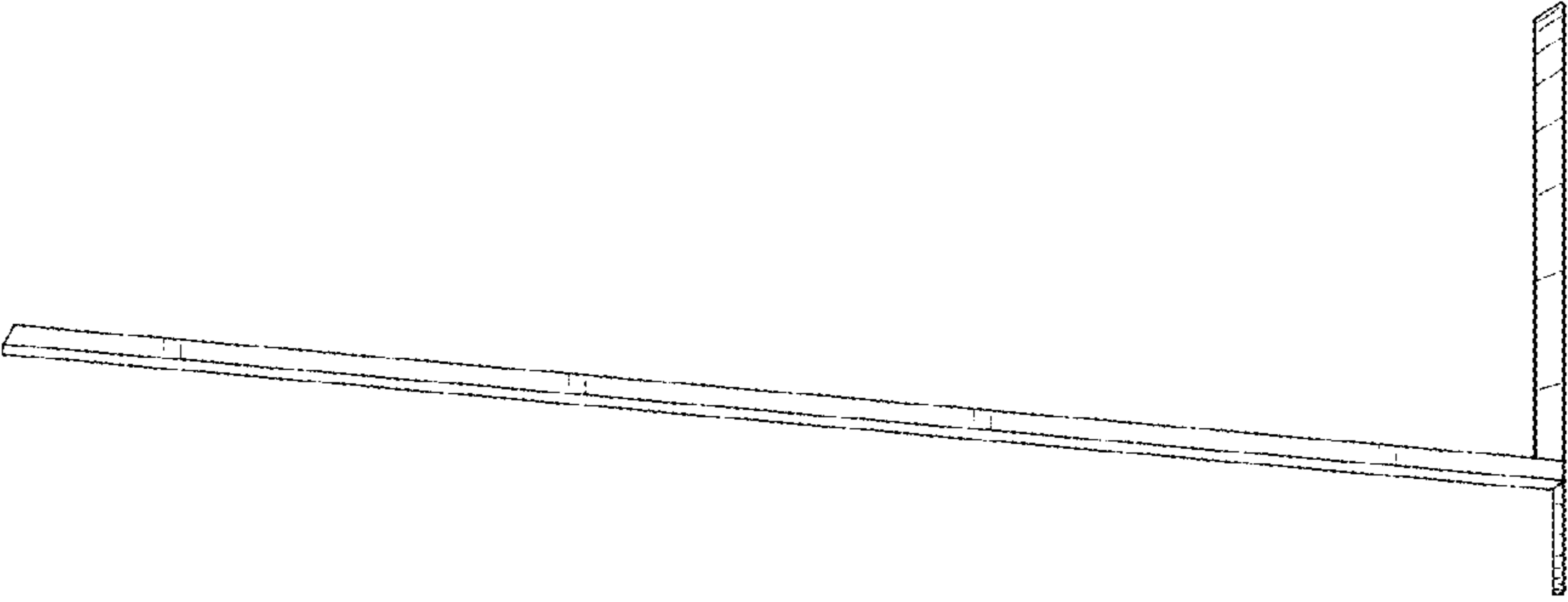


FIG. 4

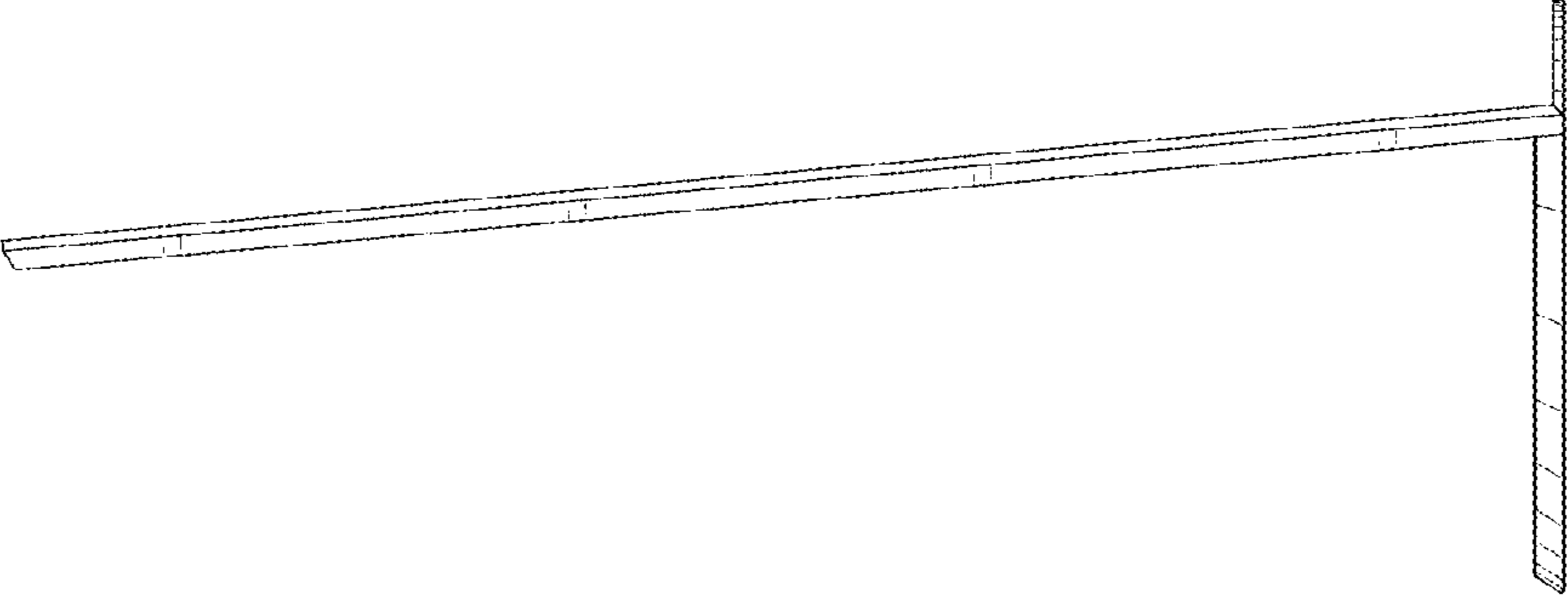


FIG. 6

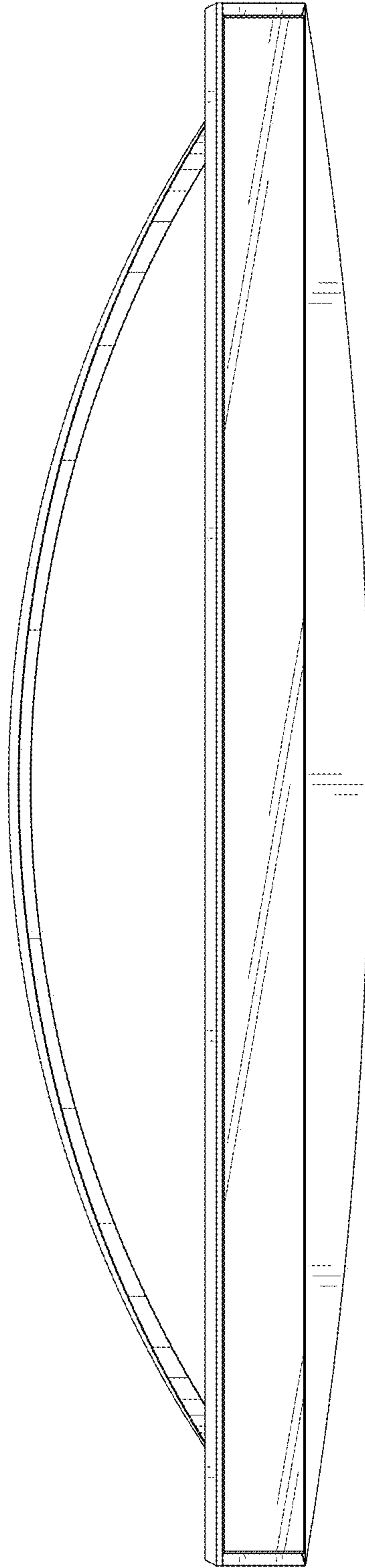
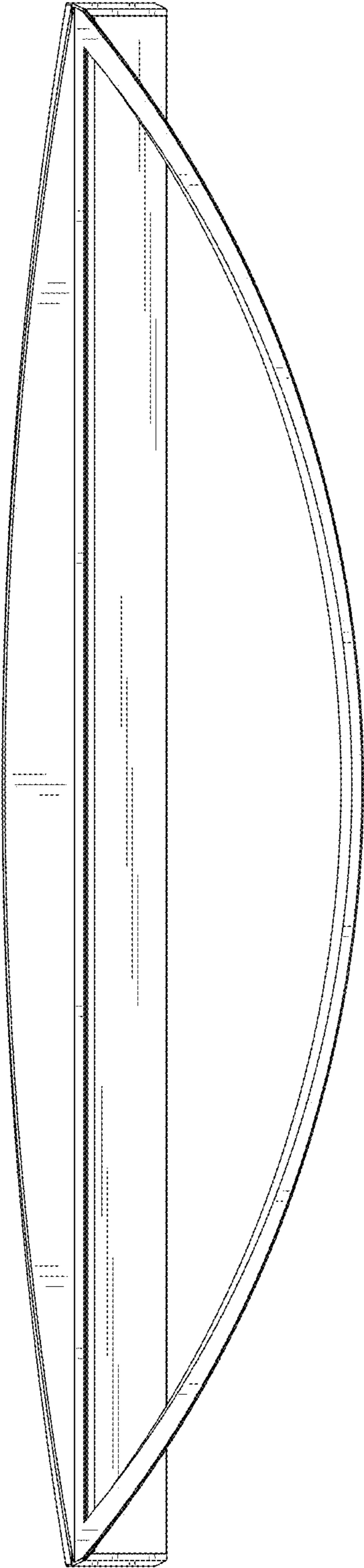


FIG. 7



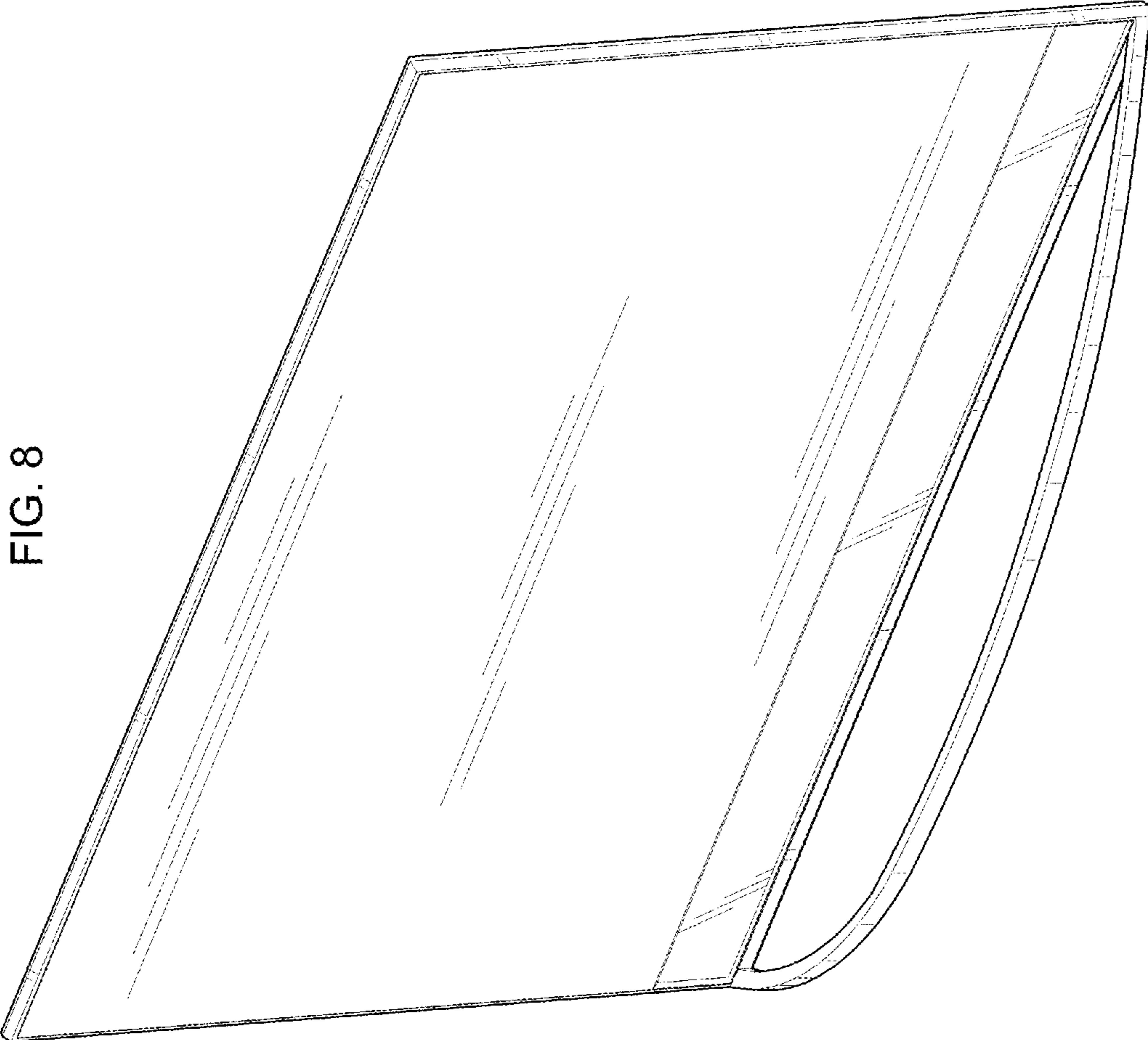


FIG. 8