



US00D744440S

(12) **United States Design Patent**
Shin et al.

(10) **Patent No.:** **US D744,440 S**

(45) **Date of Patent:** **** Dec. 1, 2015**

(54) **TELEVISION RECEIVER**

(56) **References Cited**

(71) Applicant: **Samsung Electronics Co., Ltd.**,
Suwon-si, Gyeonggi-do (KR)

(72) Inventors: **Rina Shin**, Seoul (KR); **Hyung-Ho Hwangbo**, Seoul (KR); **Hae-Sung Park**, Seoul (KR); **Christopher Edward Bangle**, Clavesana (IT)

(73) Assignee: **SAMSUNG ELECTRONICS CO., LTD.** (KR)

U.S. PATENT DOCUMENTS

D395,554 S *	6/1998	Perkins, Jr.	D6/300
D467,232 S *	12/2002	Bong et al.	D14/126
D495,331 S *	8/2004	Liu et al.	D14/371
D497,485 S *	10/2004	Resultan	D6/300
D503,390 S *	3/2005	Sham et al.	D14/126
D525,603 S *	7/2006	Williams	D14/126
D551,186 S *	9/2007	Yang et al.	D14/126
D563,340 S *	3/2008	Hoehn et al.	D14/126
D637,571 S *	5/2011	Chiu et al.	D14/126
D652,811 S *	1/2012	Kim et al.	D14/126
D716,745 S *	11/2014	Seong	D14/126
D717,805 S *	11/2014	Sang et al.	D14/448
2012/0105734 A1 *	5/2012	Johnson et al.	348/836

(**) Term: **14 Years**

* cited by examiner

(21) Appl. No.: **29/472,280**

Primary Examiner — Susan Bennett Hattan

Assistant Examiner — Brett Miller

(22) Filed: **Nov. 11, 2013**

(74) *Attorney, Agent, or Firm* — Cantor Colburn LLP

(30) **Foreign Application Priority Data**

(57) **CLAIM**

The ornamental design for a television receiver, as shown and described.

May 11, 2013 (KR) 30-2013-0024871

DESCRIPTION

(51) **LOC (10) Cl.** **14-03**

FIG. 1 is a perspective view of a television receiver, showing our new design;

(52) **U.S. Cl.**

FIG. 2 is a front view thereof;

USPC **D14/126**

FIG. 3 is a rear view thereof;

(58) **Field of Classification Search**

FIG. 4 is a side view thereof;

USPC D14/371–382, 125–134, 239, 448–452,

FIG. 5 is a another side view thereof;

D14/136, 341, 479, 389, 397, 308, 412, 157,

FIG. 6 is a top plan view thereof;

D14/155, 511, 432, 498, 138 AD, 336, 337,

FIG. 7 is a bottom plan view thereof;

D14/447; 361/679.02; 348/836, 838, 180,

FIG. 8 is an enlarged view of the encircled portion 8 in FIG. 1; and,

348/184, 325, 739; 248/917–924, 465;

FIG. 9 is a partial cross sectional view taken along line 9-9 in FIG. 2 showing a portion corresponding to the encircled portion 9 in FIG. 4.

345/104; D6/300, 301, 302, 308,

The shade lines in the figures show contour and not surface ornamentation.

D6/310–314; D21/392; D18/18; D19/113

CPC G01F 1/1601

See application file for complete search history.

1 Claim, 7 Drawing Sheets

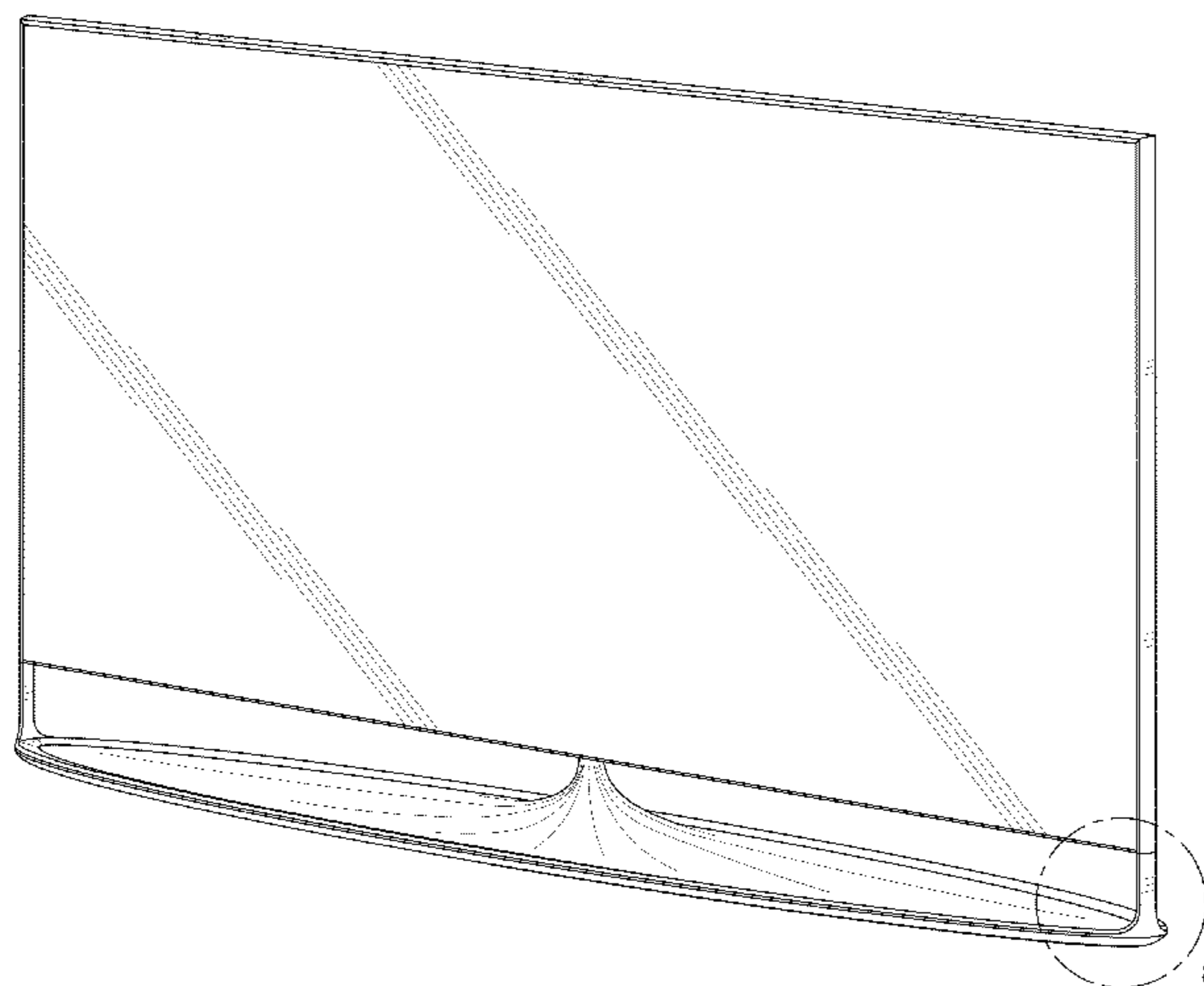


FIG. 1

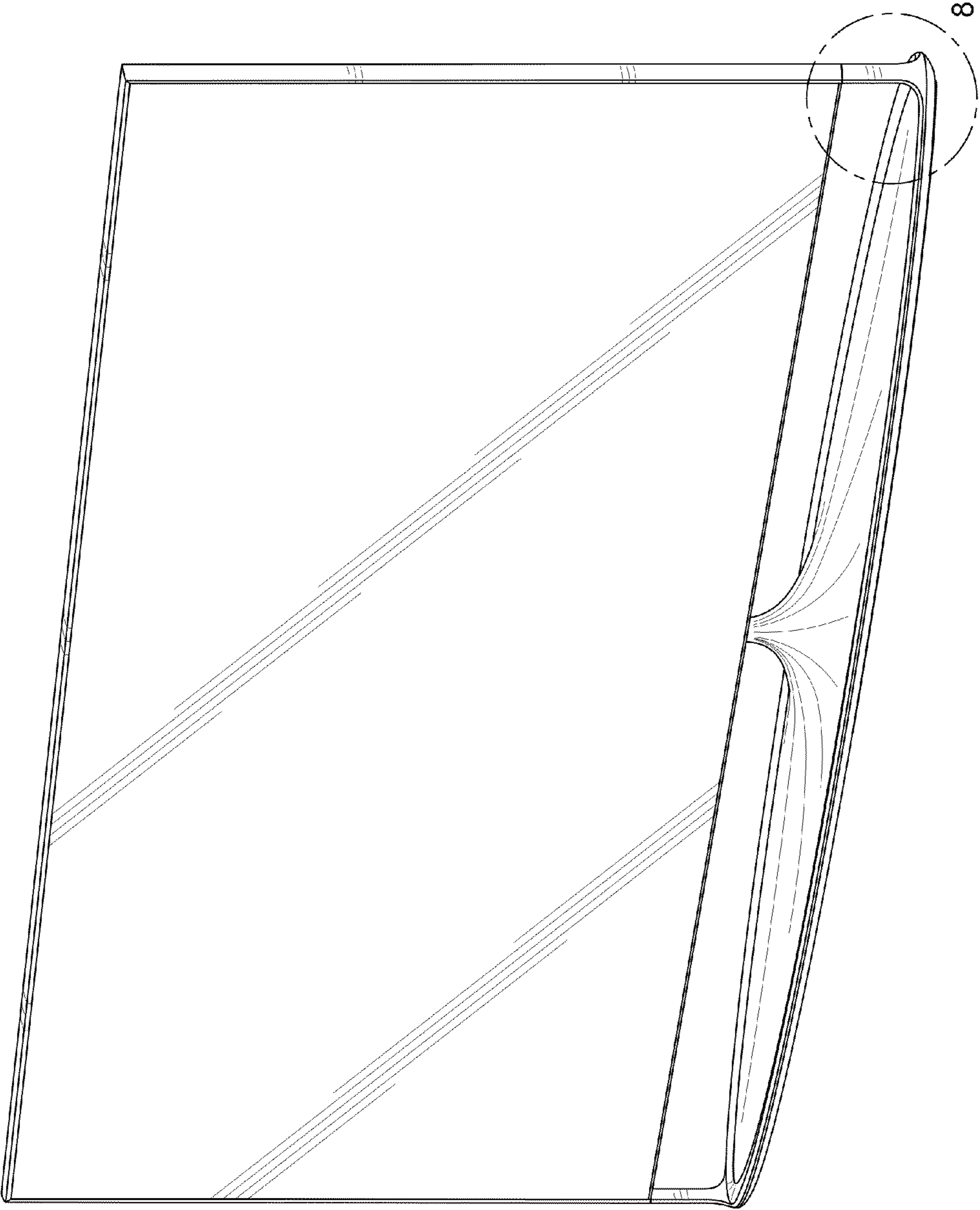


FIG. 2

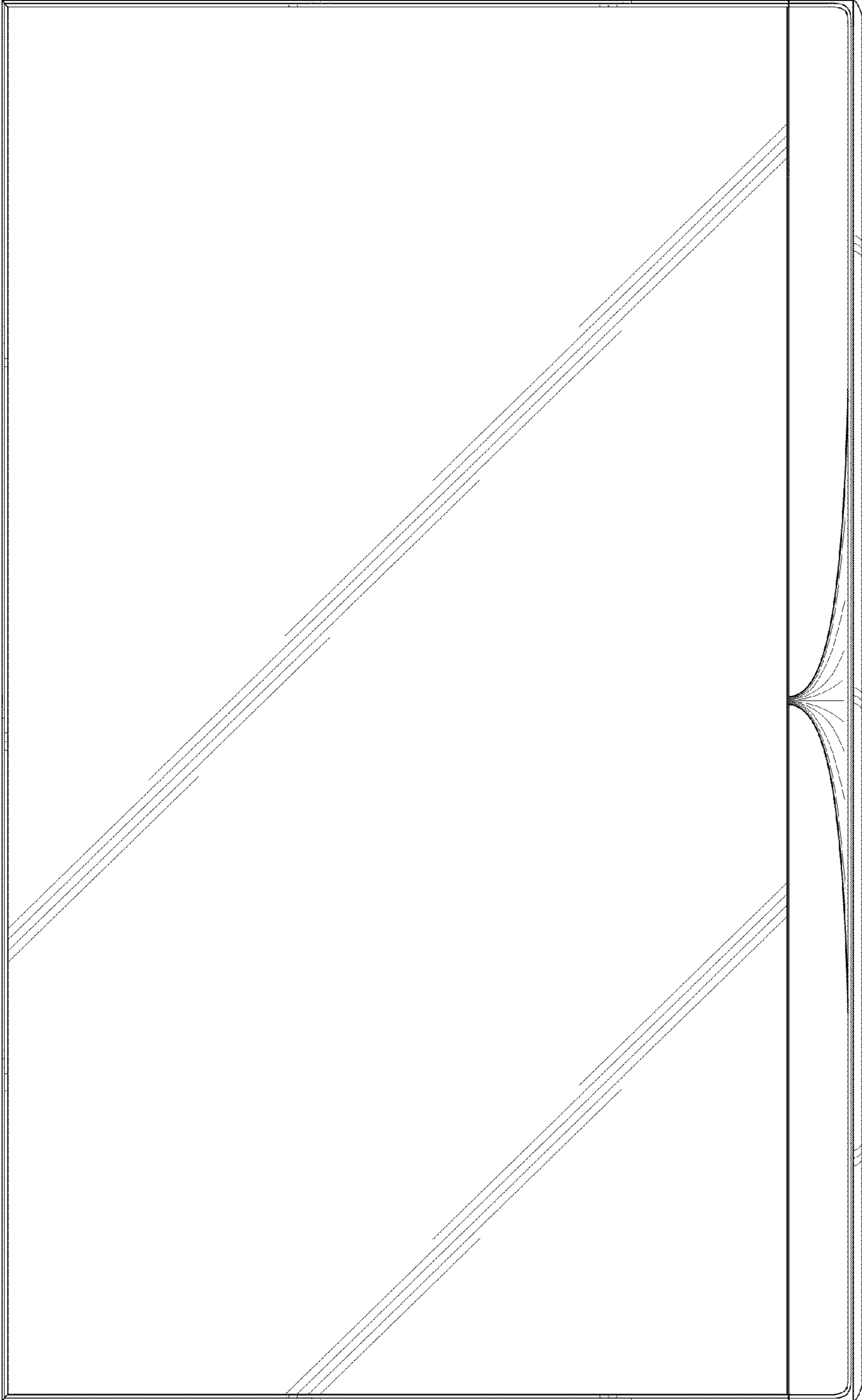


FIG. 3

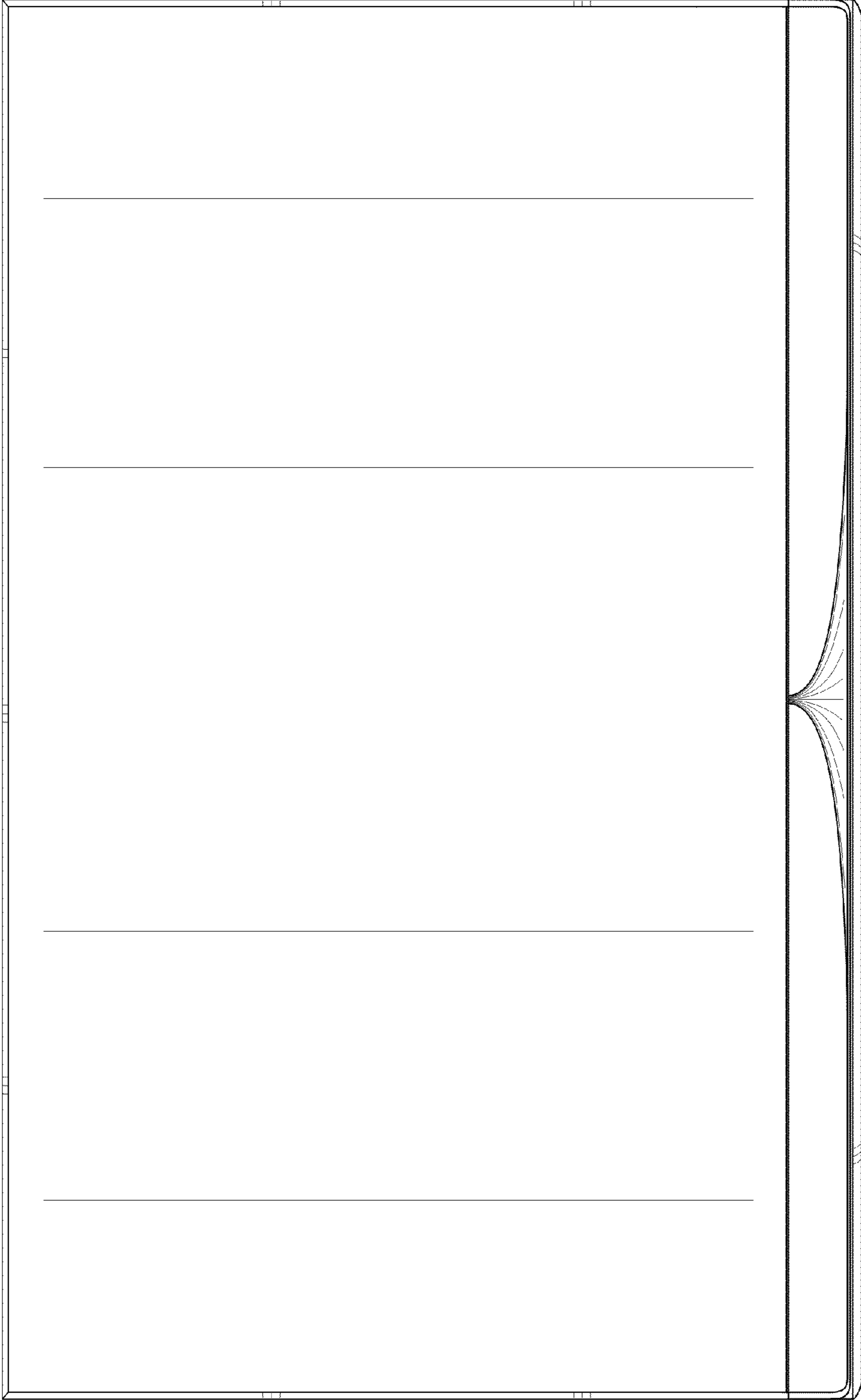


FIG. 4

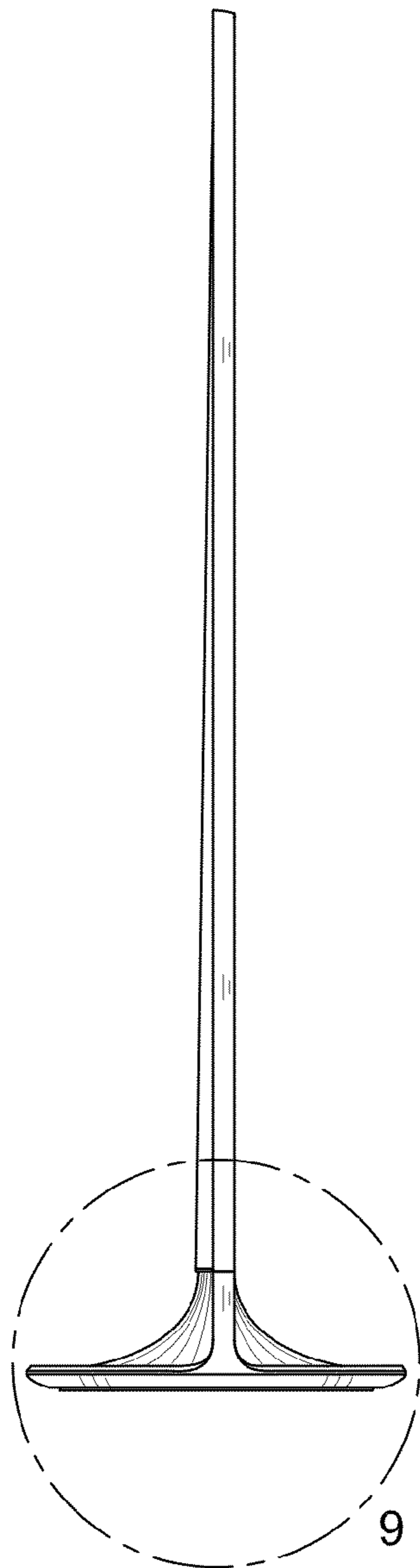


FIG. 5

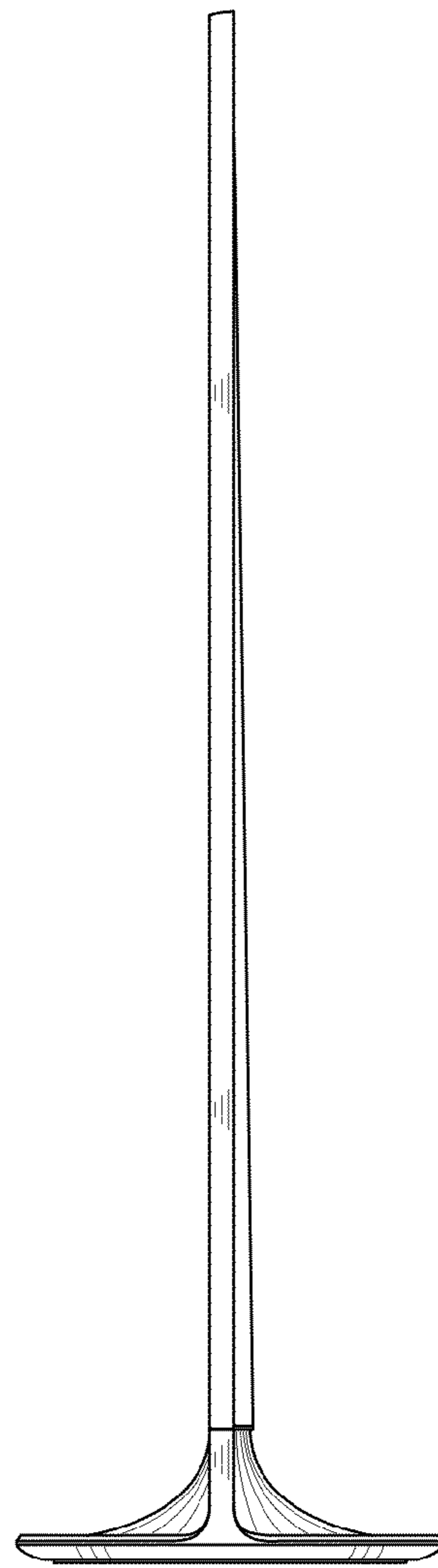


FIG. 6

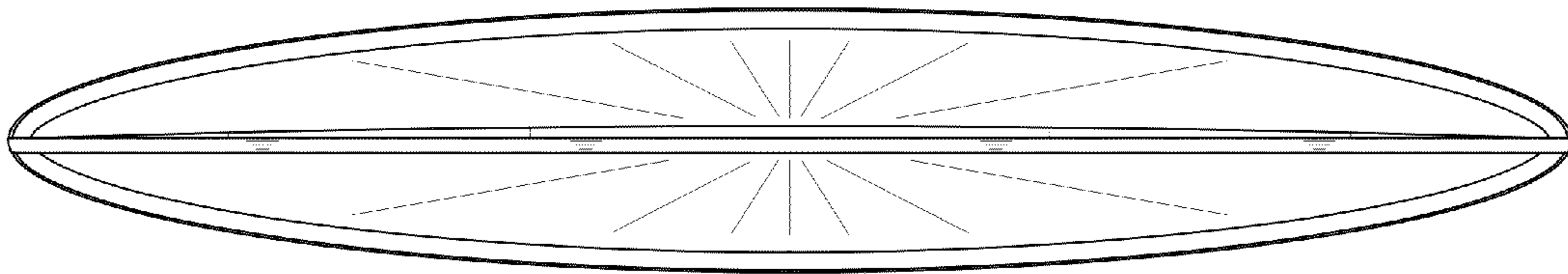


FIG. 7

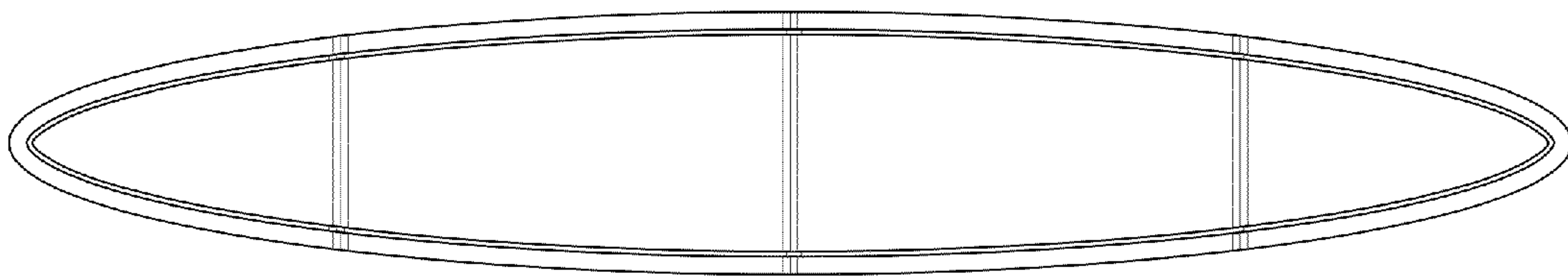


FIG. 8

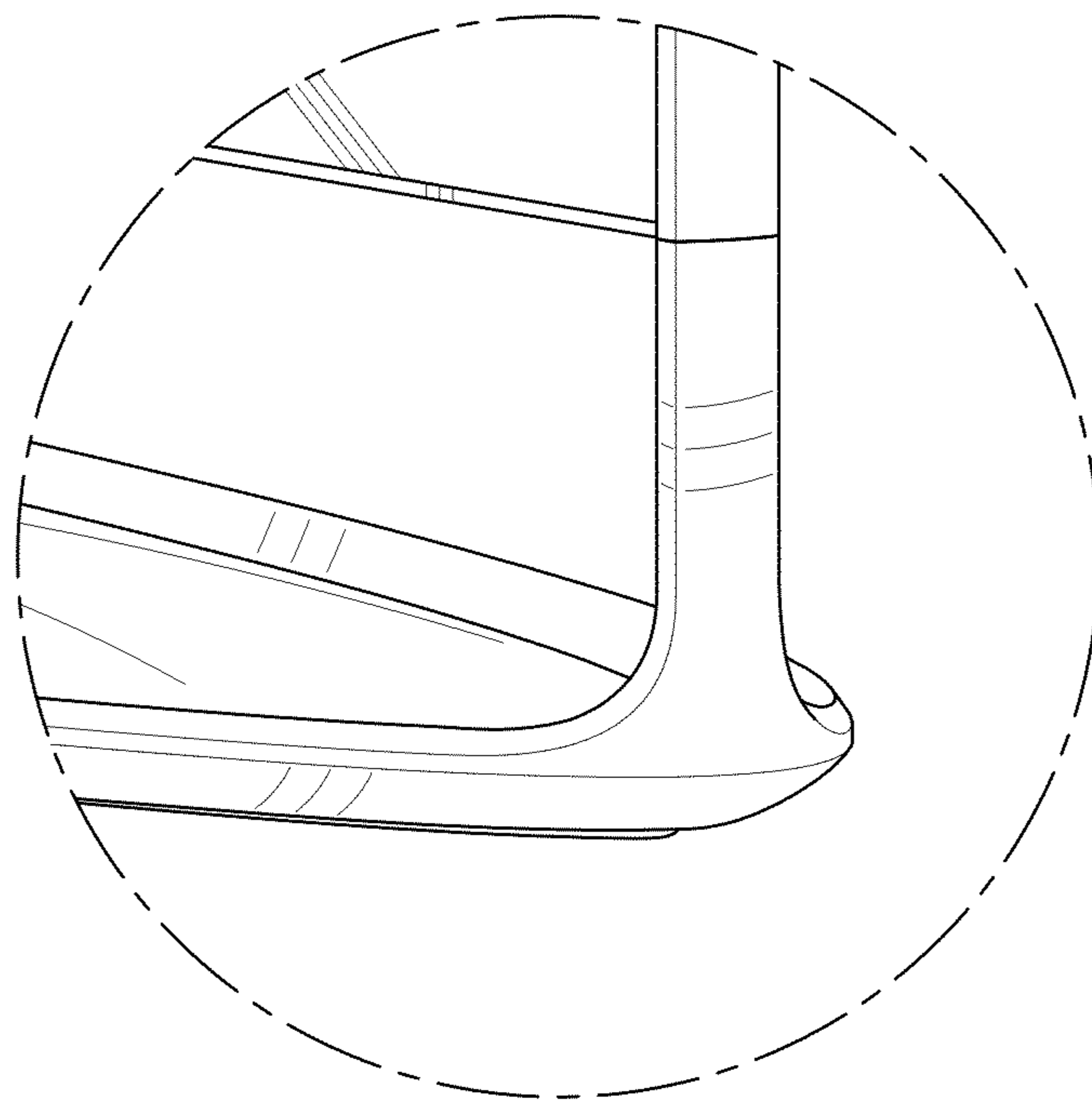


FIG. 9

