



US00D744436S

(12) **United States Design Patent**
Lee et al.

(10) **Patent No.:** **US D744,436 S**
(45) **Date of Patent:** **** Dec. 1, 2015**

(54) **TELEVISION RECEIVER**

Primary Examiner — Raphael Barkai
(74) *Attorney, Agent, or Firm* — NSIP Law

(71) Applicant: **Samsung Electronics Co., Ltd.**,
Suwon-si (KR)

(72) Inventors: **Gil-Jae Lee**, Seoul (KR); **Sang-Young Lee**, Gwangmyeong-Si (KR)

(57) **CLAIM**
The ornamental design for a television receiver, as shown and described.

(73) Assignee: **Samsung Electronics Co., Ltd.**,
Suwon-si (KR)

(**) Term: **14 Years**

DESCRIPTION

(21) Appl. No.: **29/457,652**

(22) Filed: **Jun. 12, 2013**

(30) **Foreign Application Priority Data**

Dec. 13, 2012 (KR) 30-2012-0060284

(51) **LOC (10) Cl.** **14-03**

(52) **U.S. Cl.**
USPC **D14/126**

(58) **Field of Classification Search**

USPC D14/125-134, 239, 371, 136, 374-377,
D14/440, 450, 448, 336, 342, 159; 312/7.2;
348/836, 838, 180, 184, 325, 739;
248/917-924, 465; 345/104, 133, 156,
345/168, 87, 173; D21/329, 515, 577, 622,
D21/333, 433, 448, 452, 450, 331, 505;
D10/15, 26; 446/484, 175, 356;
D6/477, 479, 300; D24/185; D34/14
CPC ... G06F 1/1601; G06F 1/1643; H05K 5/0004;
H05K 5/0017; H05K 5/02; H05K 5/0217
See application file for complete search history.

FIG. 1 is a perspective view of a television receiver, showing our new design;
FIG. 2 is a front view thereof;
FIG. 3 is a rear view thereof;
FIG. 4 is a left-side view thereof;
FIG. 5 is a right-side view thereof;
FIG. 6 is a top plan view thereof;
FIG. 7 is a bottom plan view thereof;
FIG. 8 is an enlarged view of the portion, a-a', b-b', c-c' and d-d' of FIG. 1;
FIG. 9 is an enlarged view of the portion, a-a', b-b', c-c' and d-d' of FIG. 1, showing a camera portion of the claimed design in an extended position;
FIG. 10 is an enlarged view of the portion, i-i', j-j', k-k' and l-l' of FIG. 3;
FIG. 11 is an enlarged view of the portion, i-i', j-j', k-k' and l-l' of FIG. 3, showing a camera portion of the claimed design in an extended position;
FIG. 12 is an enlarged view of the portion, e-e', f-f', g-g' and h-h' of FIG. 5; and,
FIG. 13 is an enlarged view of the portion, e-e', f-f', g-g' and h-h' of FIG. 5, showing a camera portion of the claimed design in an extended position.

The broken lines are for environmental purposes only and form no part of the claimed design. The shade lines in the figures show contour and not surface ornamentation. The diagonal lines in the FIGS. 8 and 9 represent a reflective surface. The dot-dot-dash lines identifying portions of the claimed design that are illustrated in enlargements form no part of the claimed design.

(56) **References Cited**

U.S. PATENT DOCUMENTS

D455,423 S * 4/2002 Cellini et al. D14/305
D609,662 S * 2/2010 Noreng et al. D14/130
D636,747 S * 4/2011 Buzzard et al. D14/126
D651,185 S * 12/2011 Andresen D14/129
D714,747 S * 10/2014 Kim et al. D14/126

* cited by examiner

1 Claim, 10 Drawing Sheets

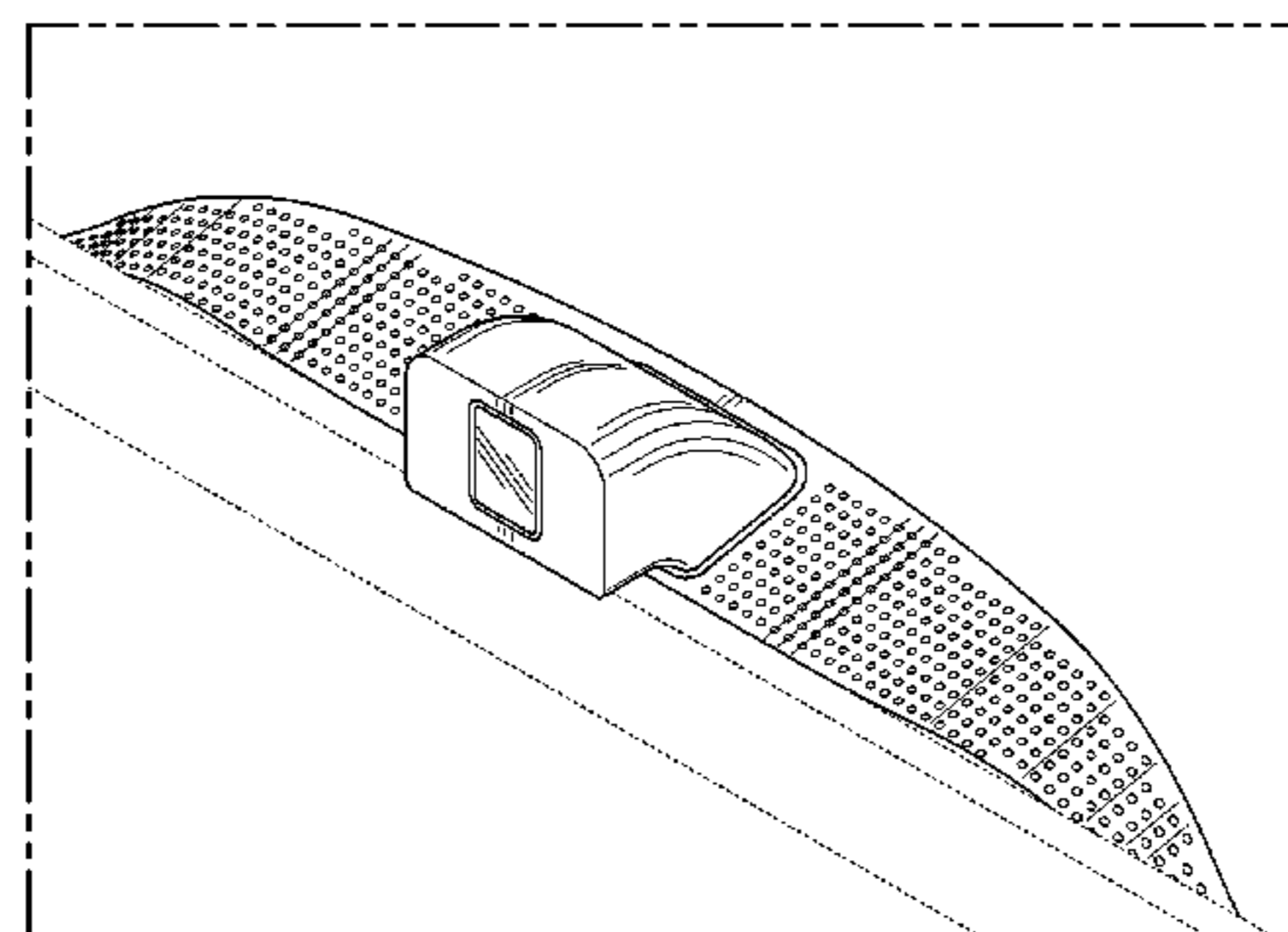
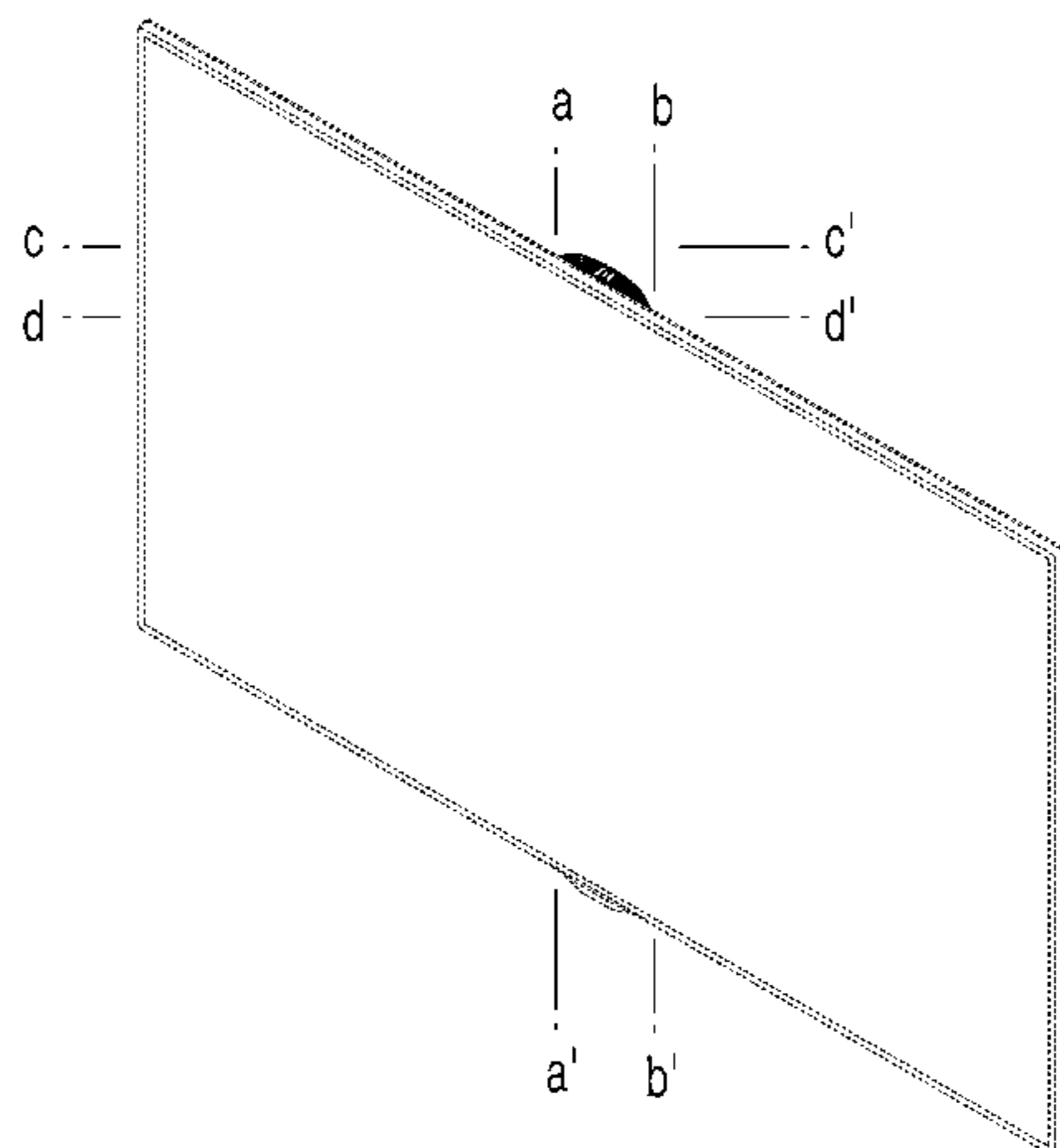


FIG. 1

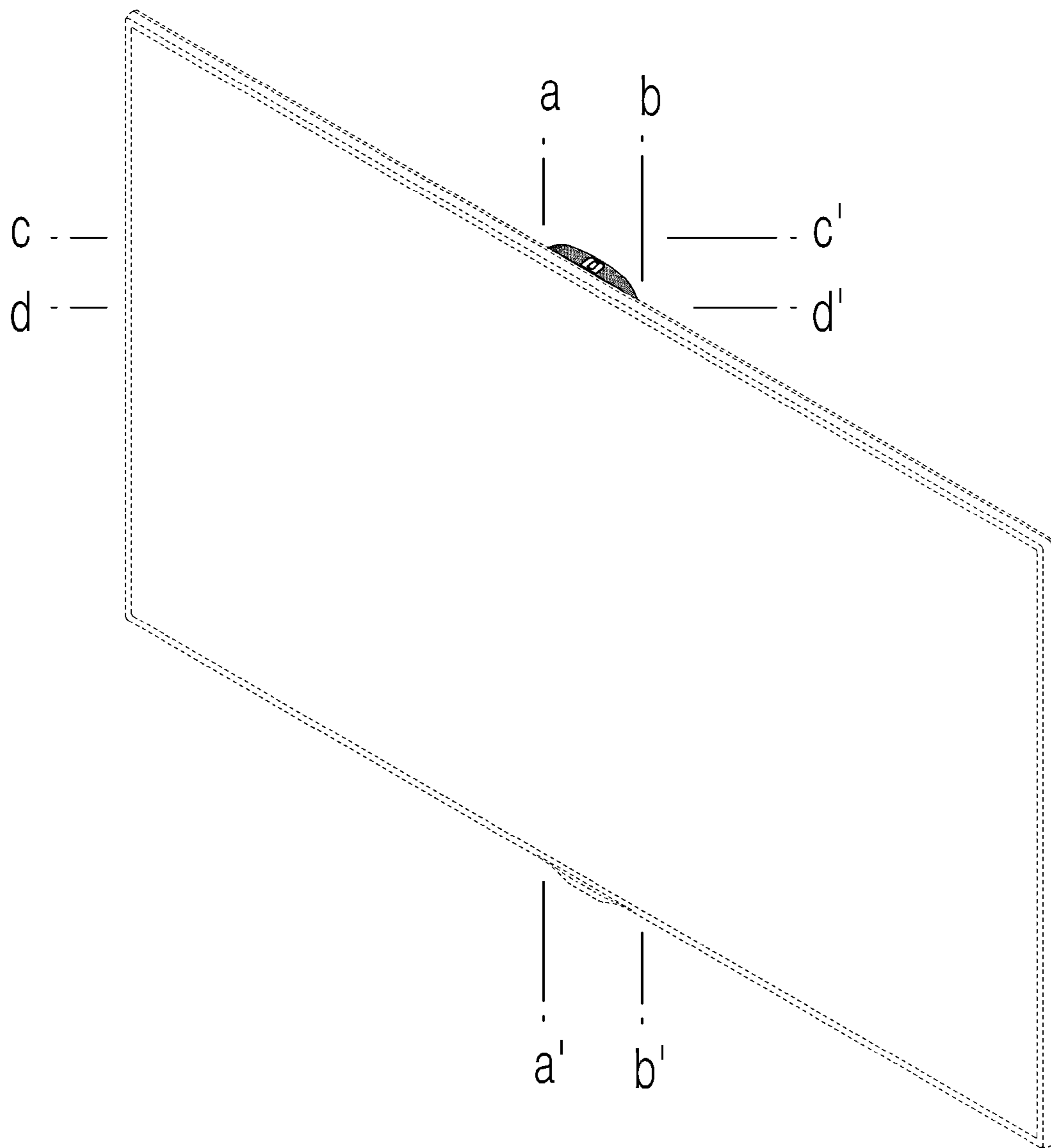


FIG. 2



FIG. 3

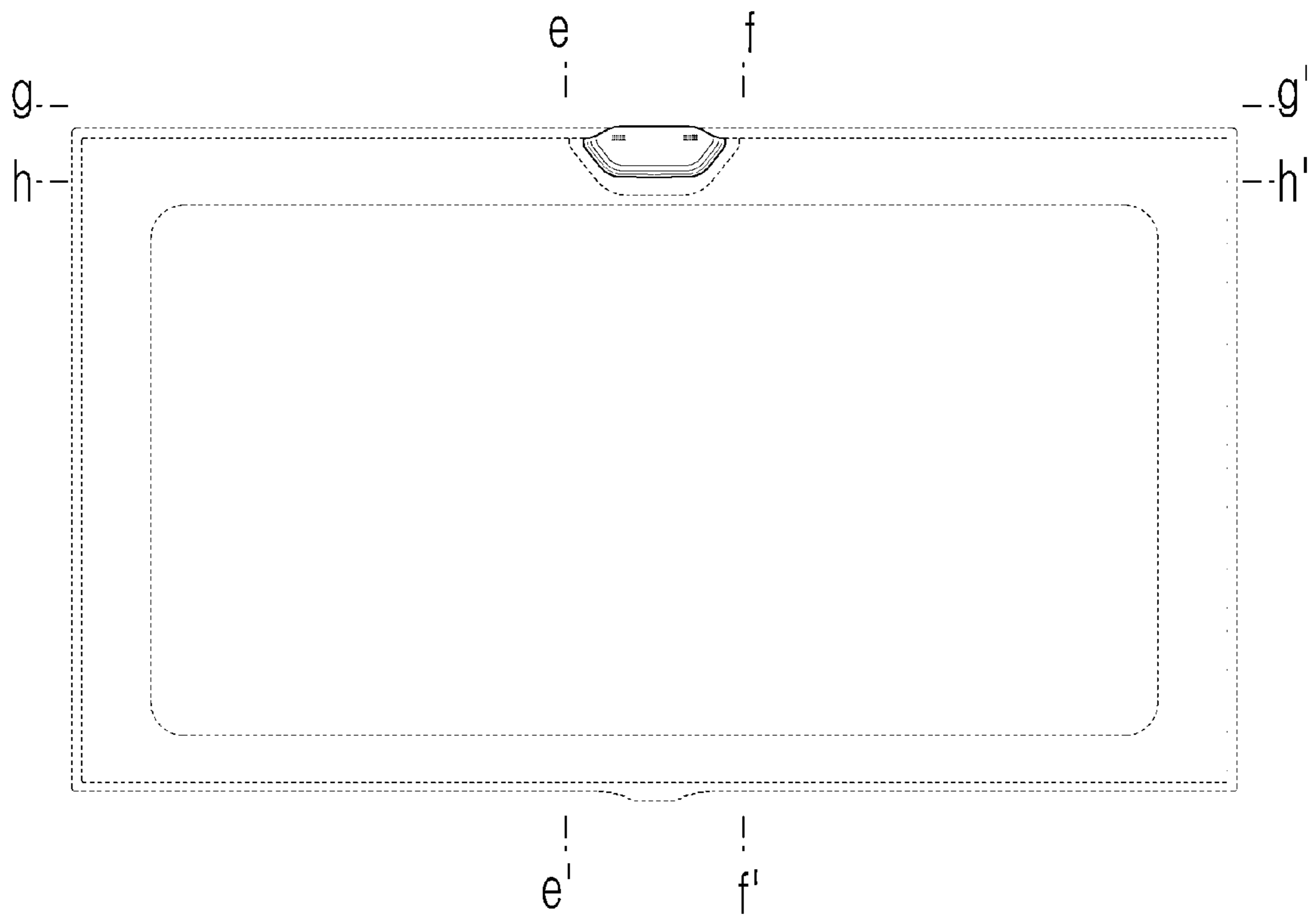


FIG. 4



FIG. 5

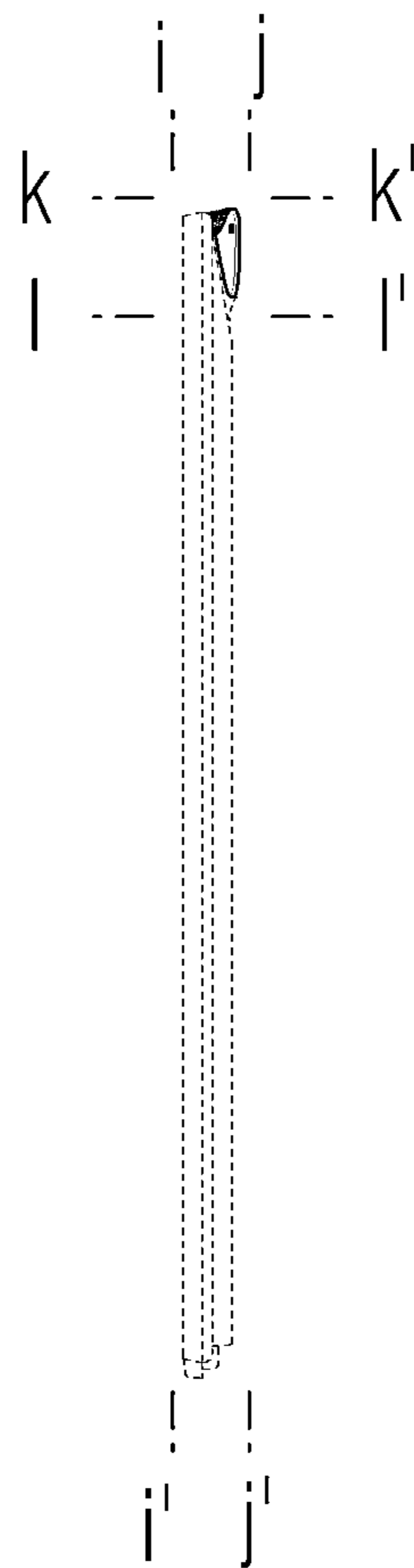


FIG. 6



FIG. 7

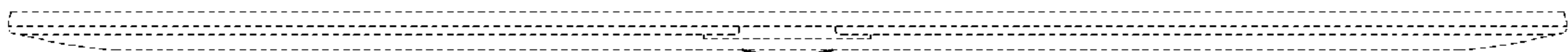


FIG. 8

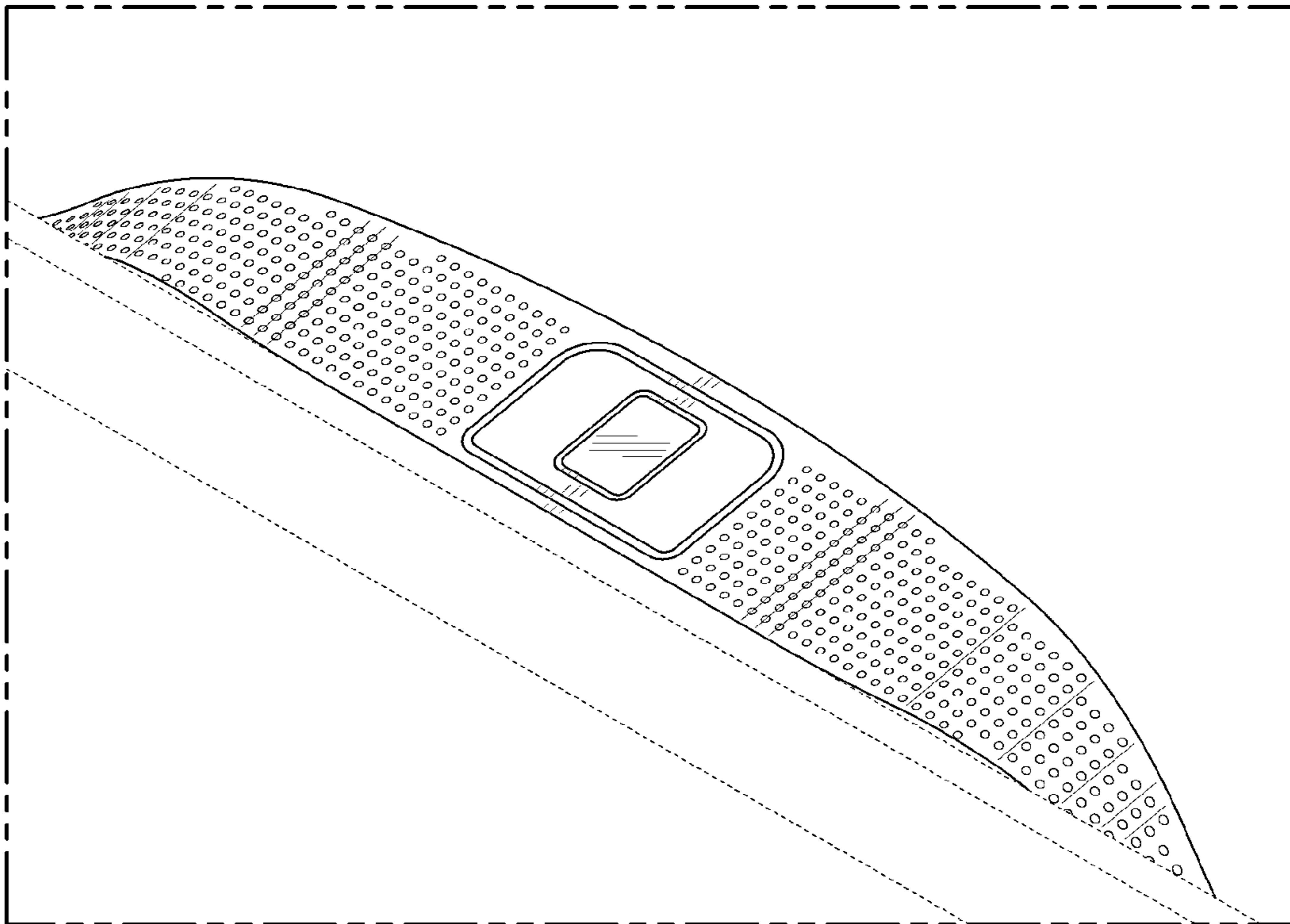


FIG. 9

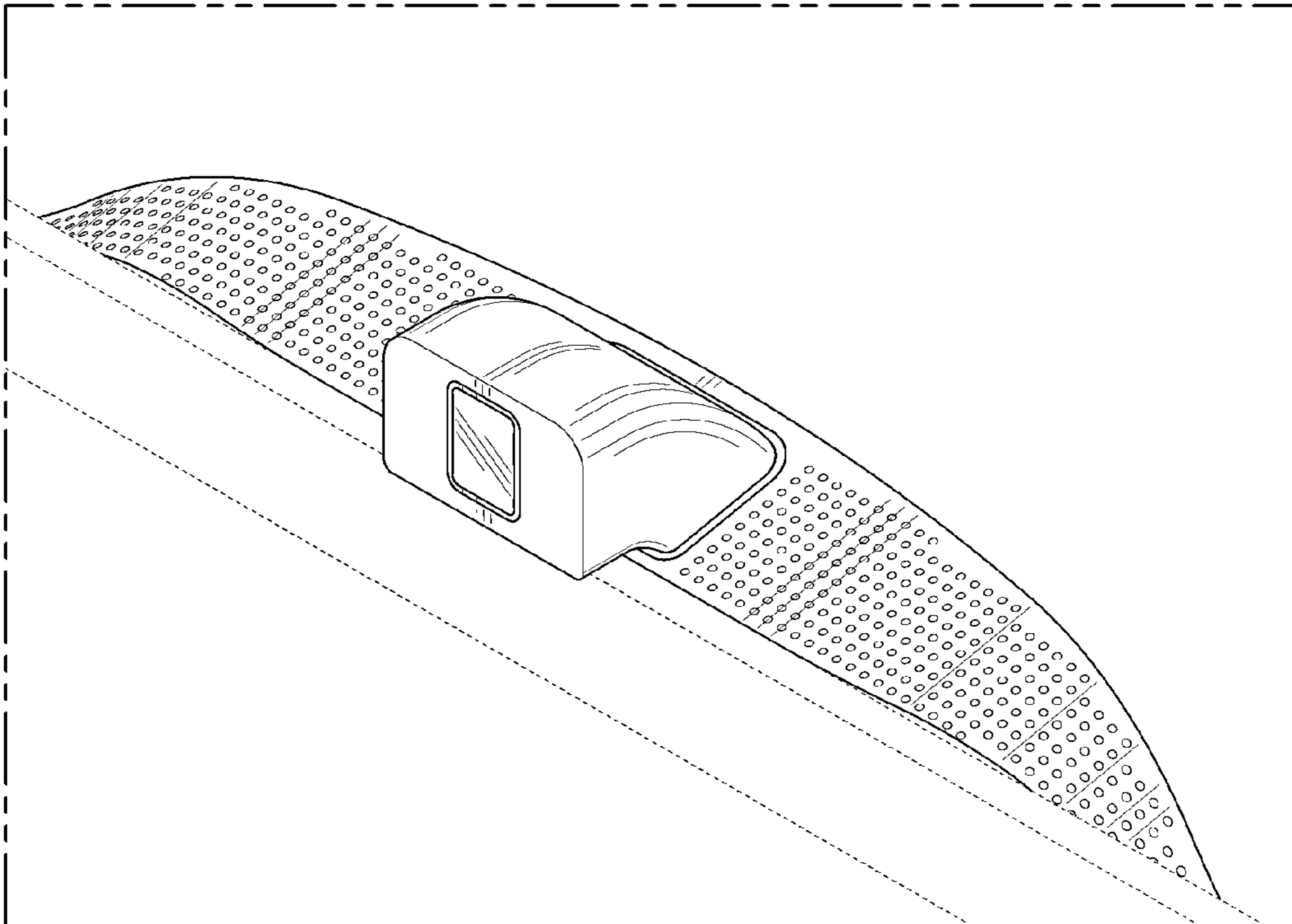


FIG. 10

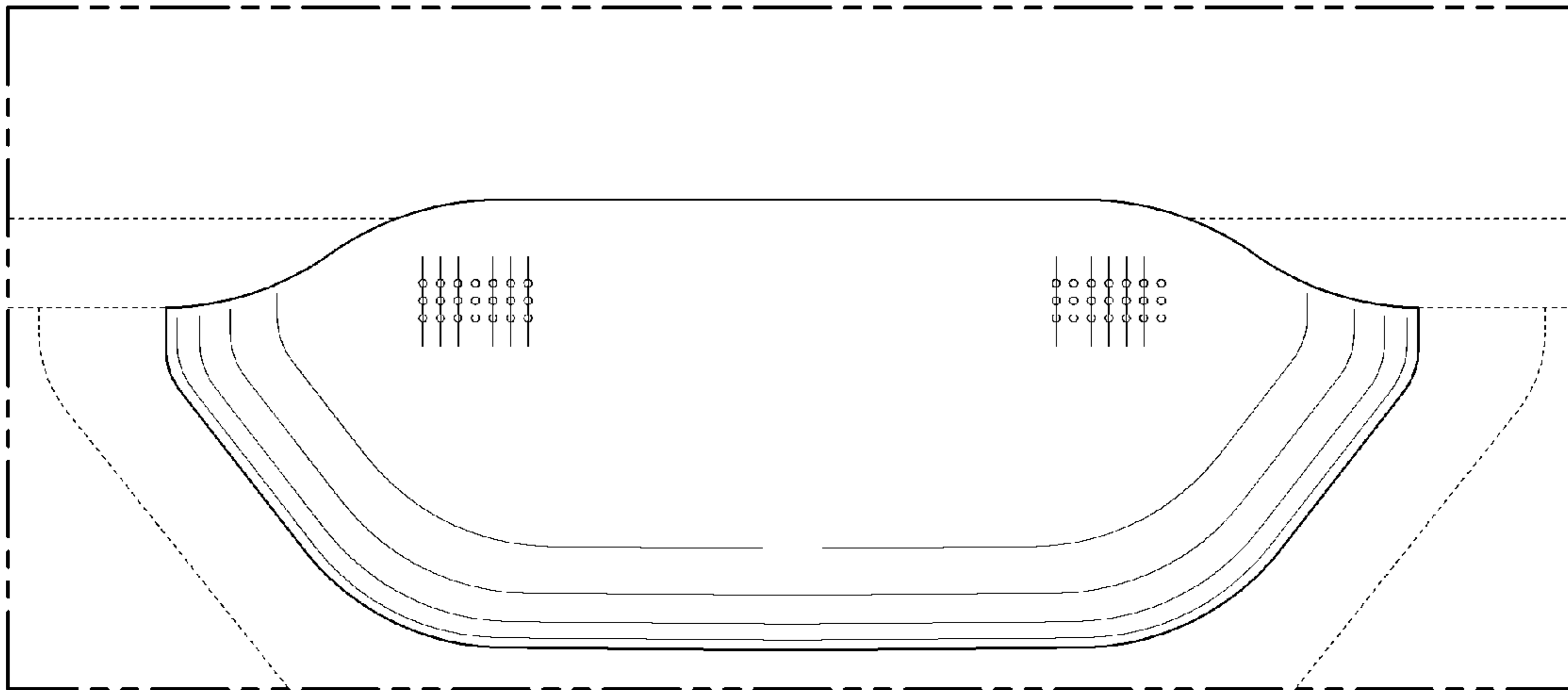


FIG. 11

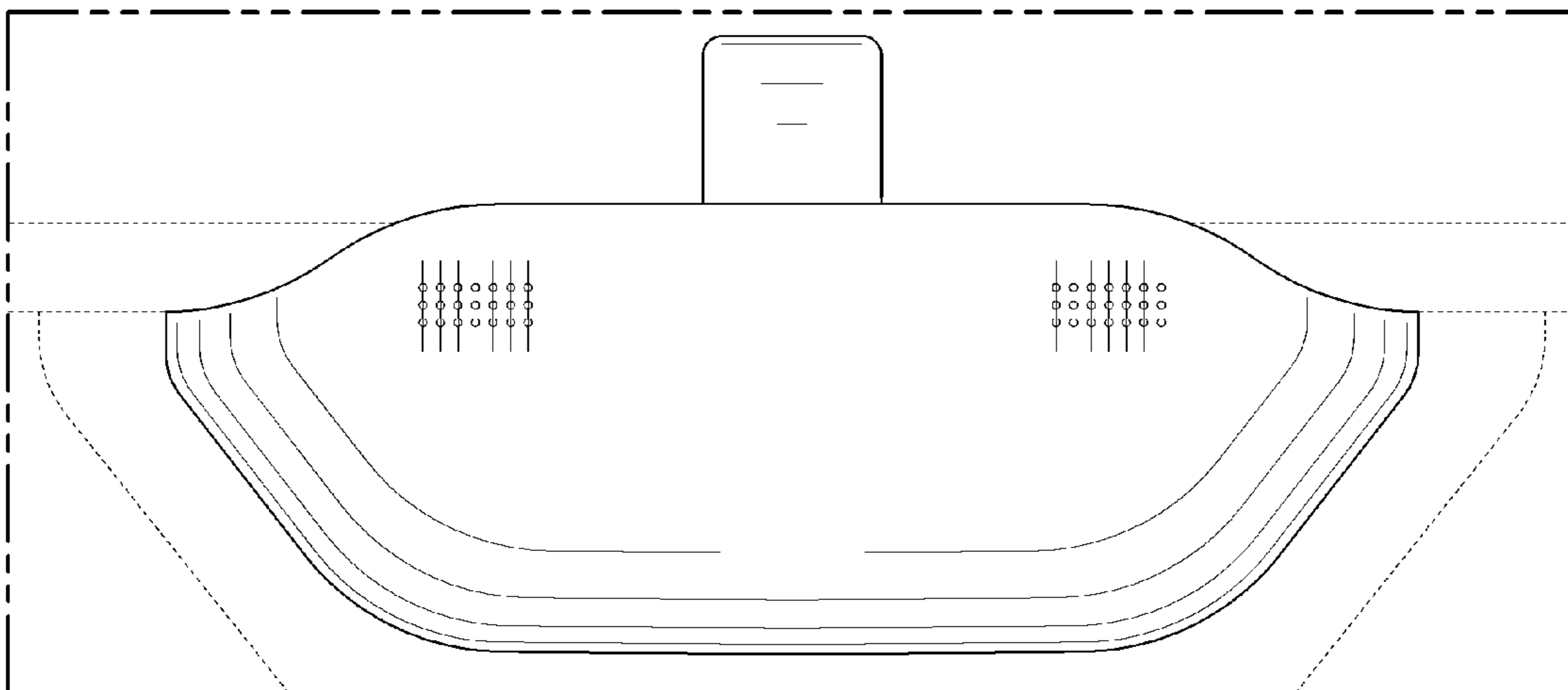


FIG. 12

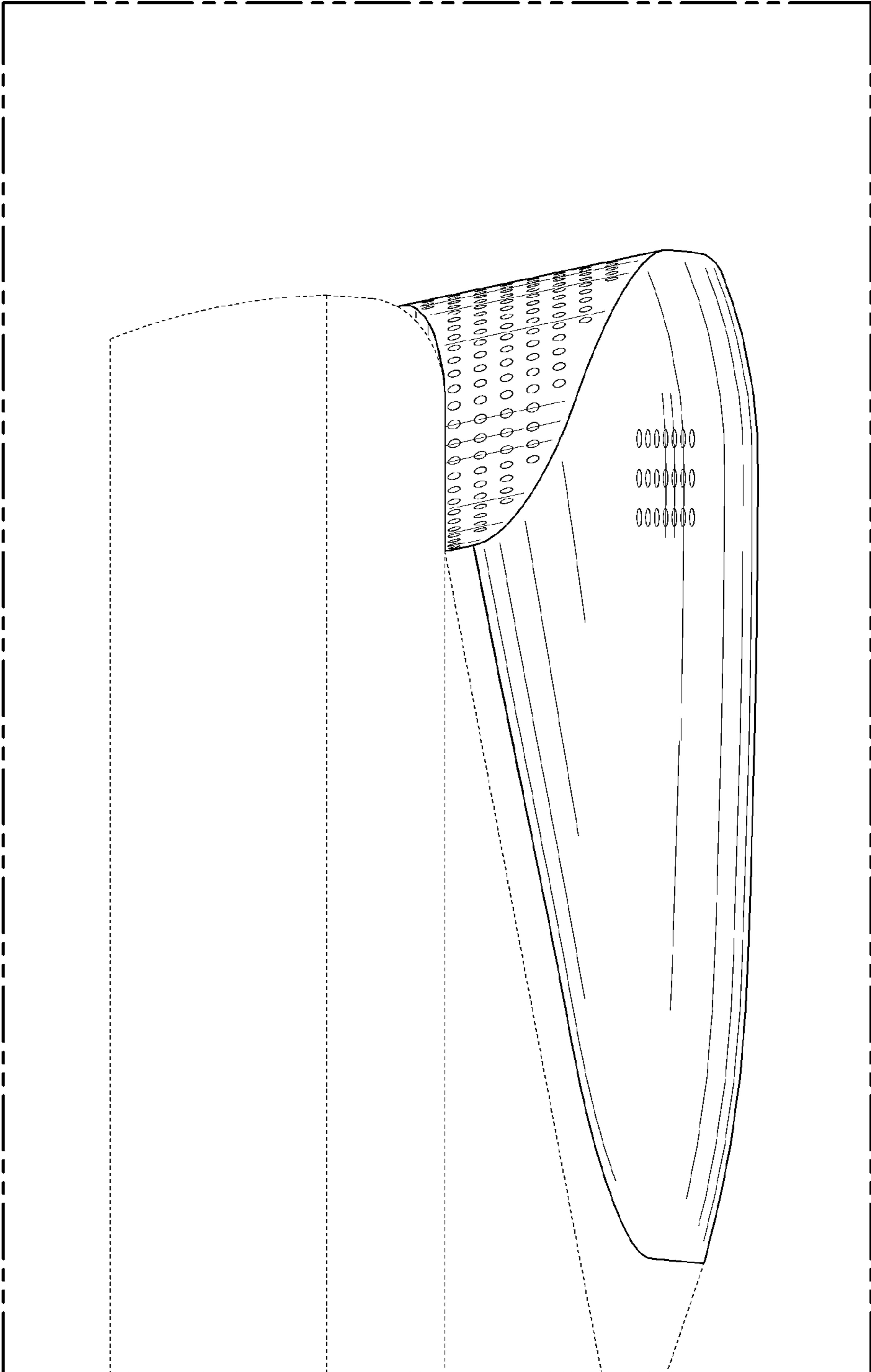


FIG. 13

