



US00D744435S

(12) **United States Design Patent**
Sakai

(10) **Patent No.:** **US D744,435 S**
(45) **Date of Patent:** **** Dec. 1, 2015**

(54) **REMOTE CONTROLLER**

- (71) Applicant: **Yuki Sakai**, Tokyo (JP)
- (72) Inventor: **Yuki Sakai**, Tokyo (JP)
- (73) Assignee: **Mitsubishi Electric Corporation**,
Tokyo (JP)
- (**) Term: **14 Years**
- (21) Appl. No.: **29/516,255**
- (22) Filed: **Jan. 30, 2015**

Related U.S. Application Data

- (62) Division of application No. 29/440,799, filed on Dec. 27, 2012.

(30) **Foreign Application Priority Data**

- Jul. 17, 2012 (JP) 2012-016875
- Jul. 17, 2012 (JP) 2012-016876

(51) **LOC (10) Cl.** **14-03**

(52) **U.S. Cl.**
USPC **D13/168**

(58) **Field of Classification Search**
 USPC D13/168; D10/49, 50; D14/218
 CPC H03J 1/0025; H03J 9/00; H03J 9/02;
 H03J 9/04; H03J 9/06; H01H 9/0235; H04B
 1/202; G05B 11/01; G05B 2219/2642; G08C
 17/00; G08C 17/02; G08C 19/28; G08C
 23/04; G08C 2201/20; G08C 2201/30; G08C
 2201/33; G08C 2201/40; G08C 2201/91;
 G08C 2201/92; F24F 11/0012; F24F 11/0009;
 F24F 2011/0068

See application file for complete search history.

(56) **References Cited**

U.S. PATENT DOCUMENTS

D409,200 S	5/1999	Cooper	
D501,463 S	2/2005	Hisatsune	
D518,744 S	4/2006	Rosen	
D582,800 S	12/2008	Comerford et al.	
D582,802 S	12/2008	Branson et al.	
D623,606 S *	9/2010	Nakai et al.	D13/168
D630,169 S	1/2011	Nakai et al.	
D635,556 S	4/2011	Suzuki	
D648,641 S	11/2011	Wallaert et al.	
D661,662 S	6/2012	Kikuchi et al.	
D678,218 S	3/2013	Sheen	
D678,219 S	3/2013	Higashijima et al.	
D696,636 S	12/2013	Sakai	
D725,611 S *	3/2015	Sakai	D13/173
D730,301 S *	5/2015	Sakai	D13/168
D731,443 S *	6/2015	Sakai	D13/168
D736,165 S *	8/2015	Sakai	D13/168

* cited by examiner

Primary Examiner — Selina Sikder

(74) Attorney, Agent, or Firm — Sughrue Mion, PLLC

(57) **CLAIM**

The ornamental design for a remote controller, as shown described.

DESCRIPTION

FIG. 1 is a front, top and right side perspective view of a remote controller, showing my new design;
 FIG. 2 is a rear, bottom and left side perspective view thereof;
 FIG. 3 is a front elevational view thereof;
 FIG. 4 is a rear elevational view thereof;
 FIG. 5 is a left side elevational view thereof;
 FIG. 6 is a right side elevational view thereof;
 FIG. 7 is a top plan view thereof;
 FIG. 8 is a bottom plan view thereof; and,
 FIG. 9 is a reference vertical cross-sectional view thereof; taken in the direction of line 9-9 in FIG. 3, with broken line disclosure of internal elements understood to represent unclaimed portions of the article in which the claimed design is embodied.

1 Claim, 7 Drawing Sheets

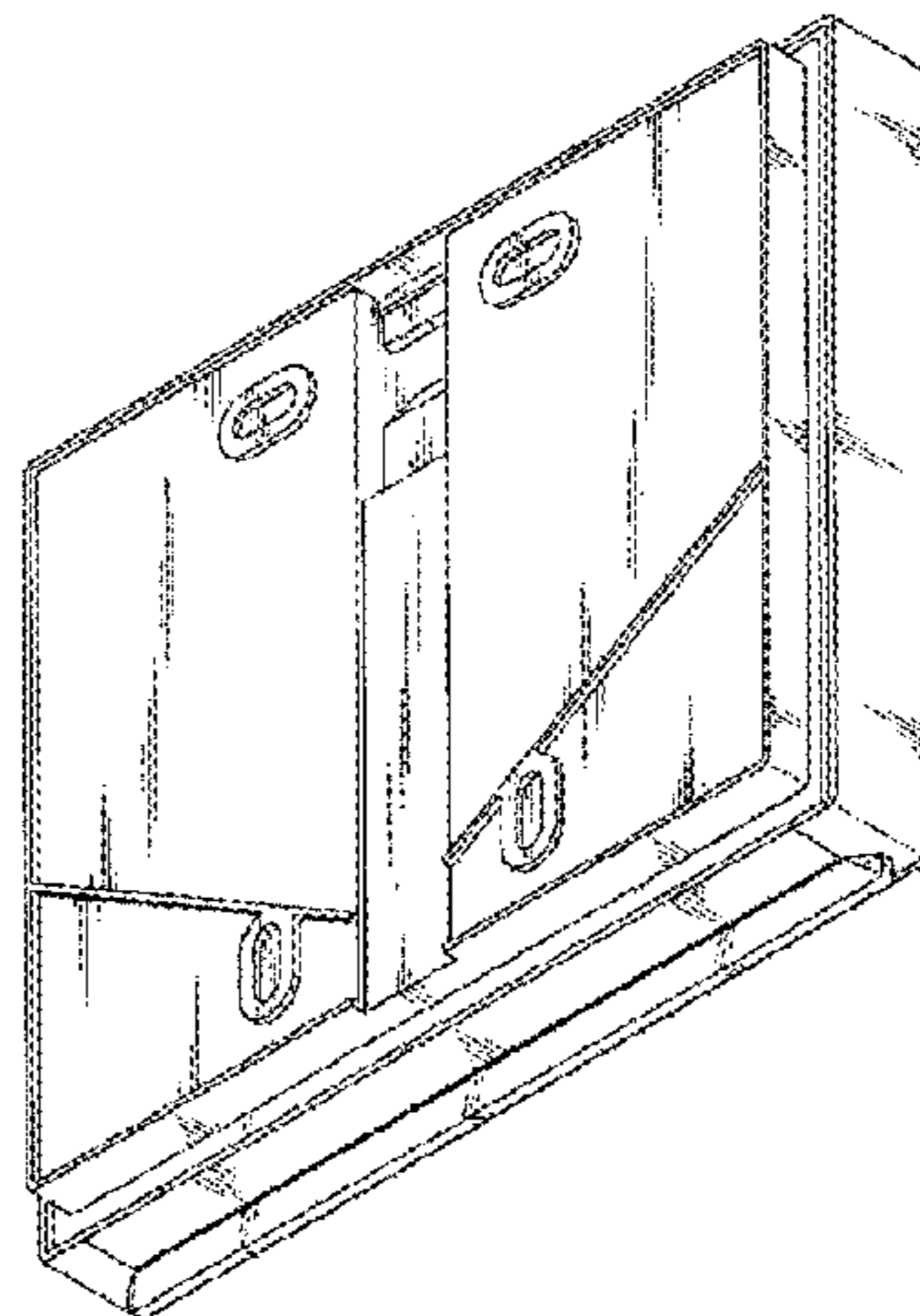
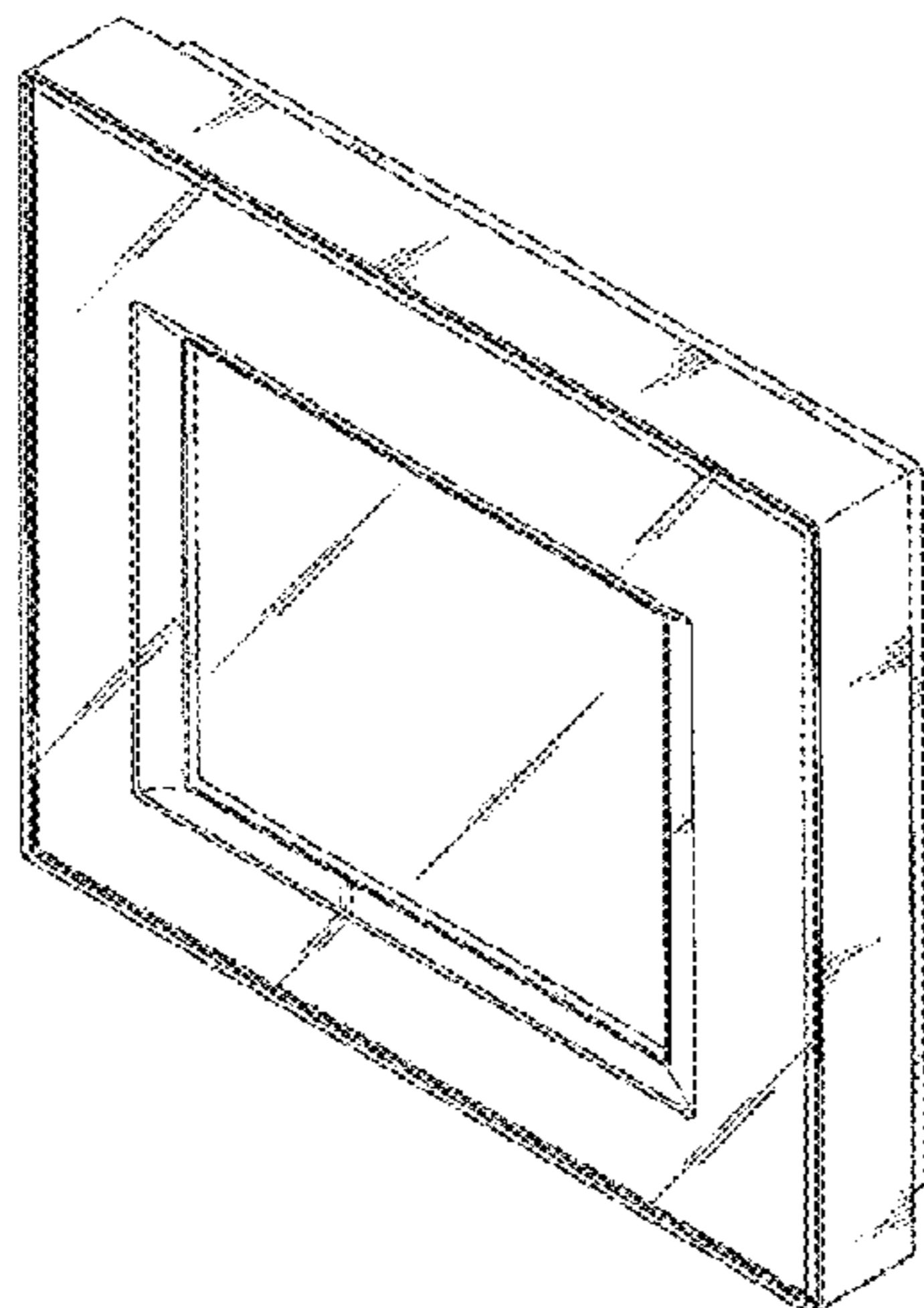


Fig. 1

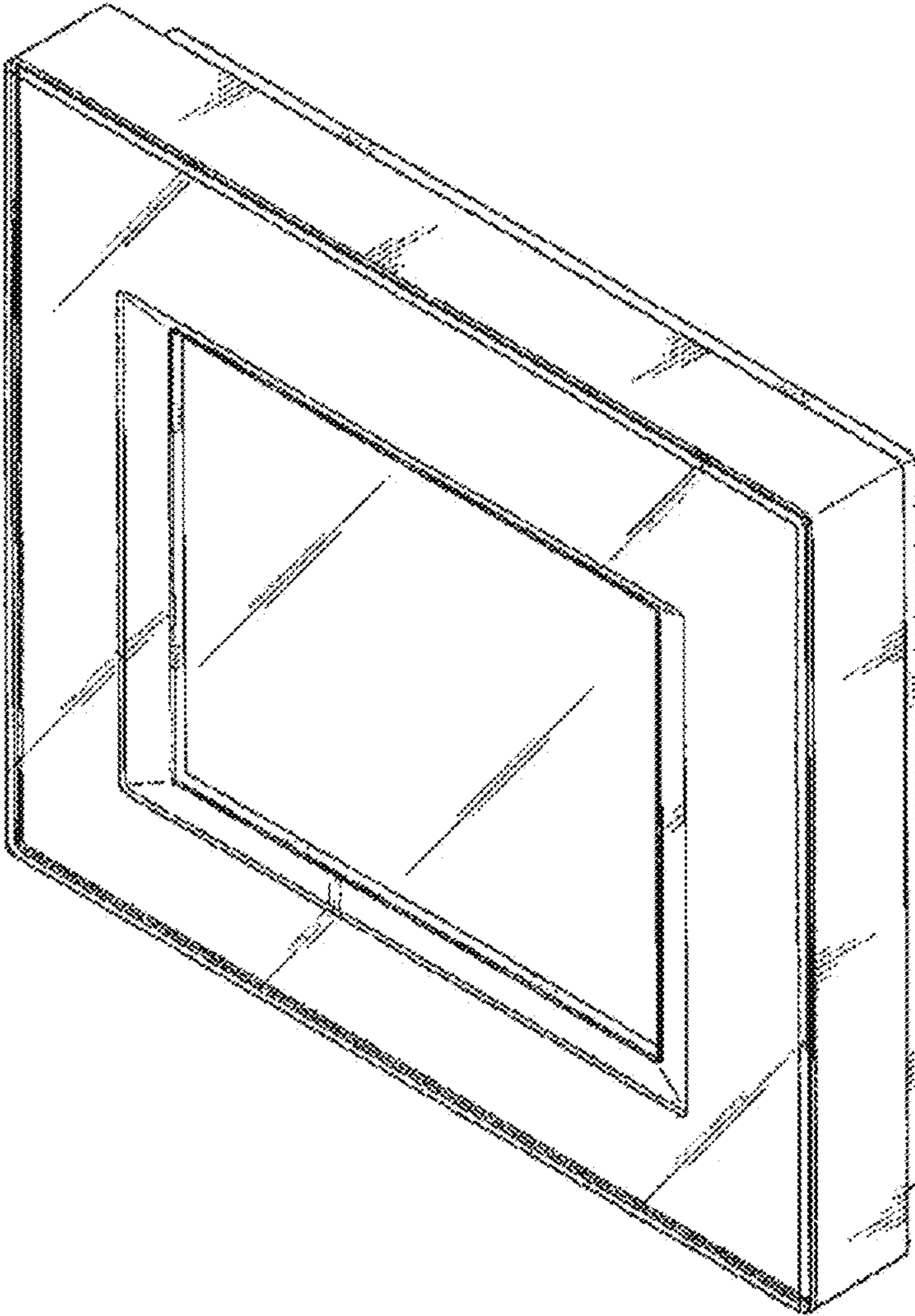


Fig. 2

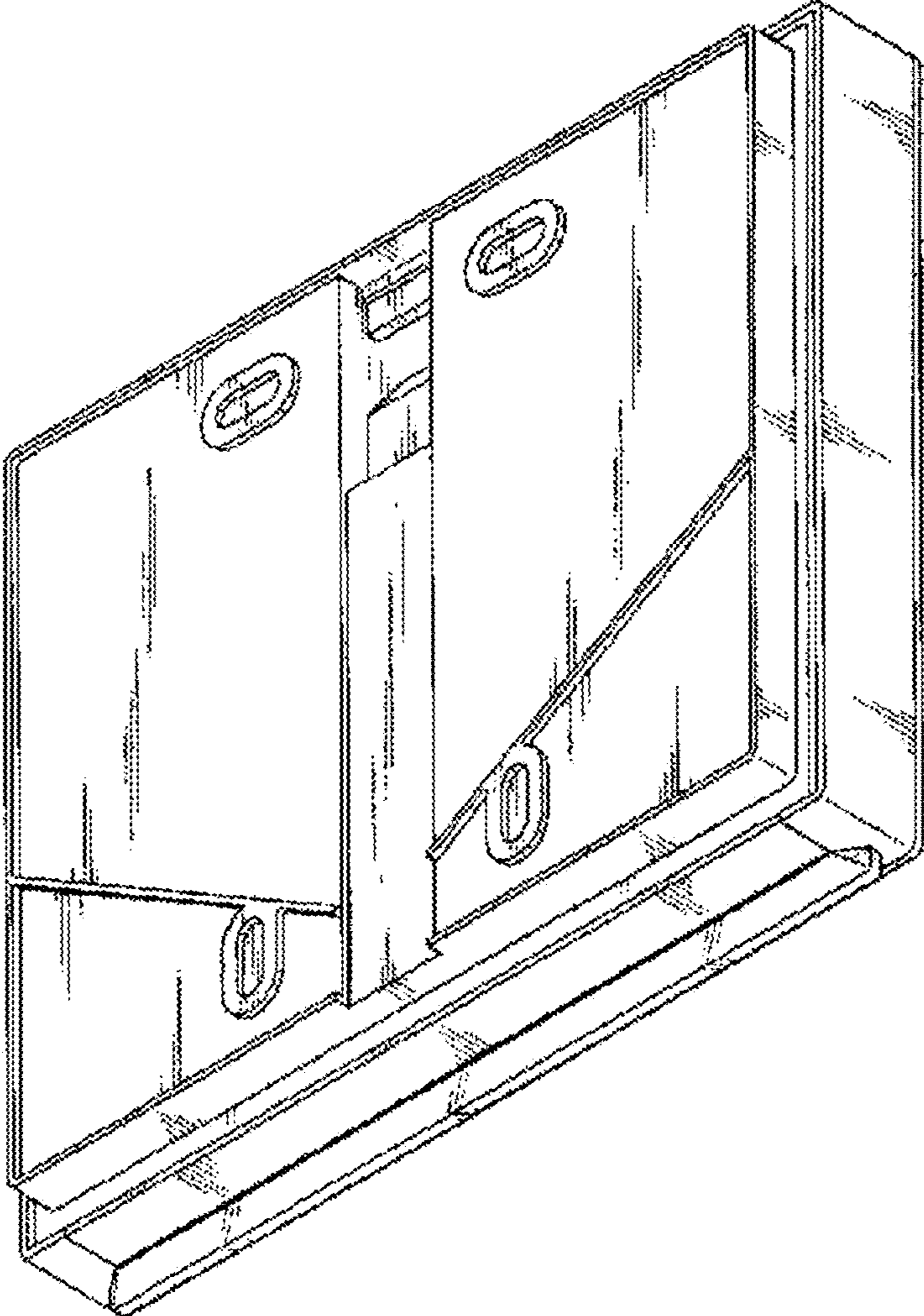
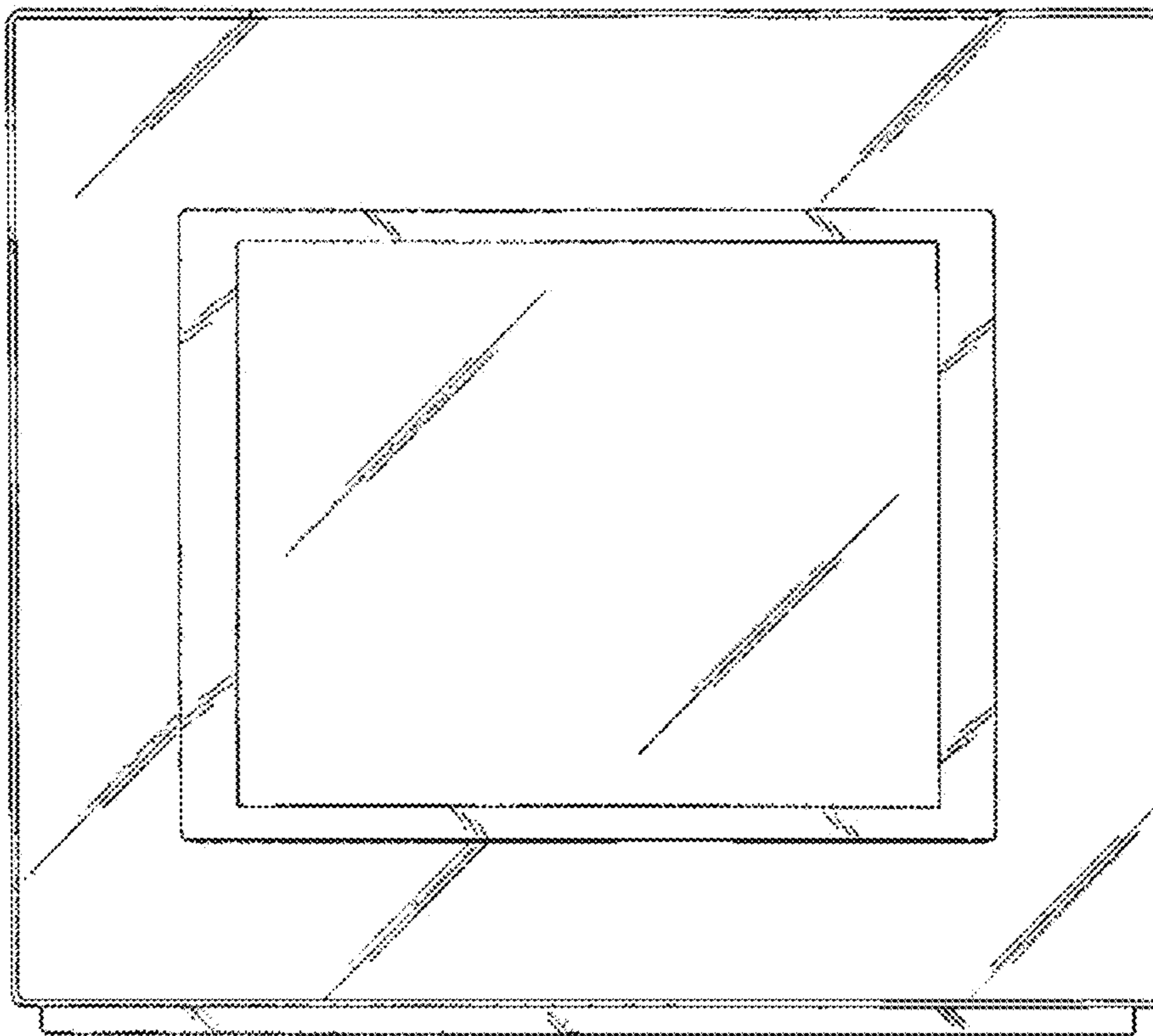


Fig. 3

9 ↖



9 ↘

Fig. 4

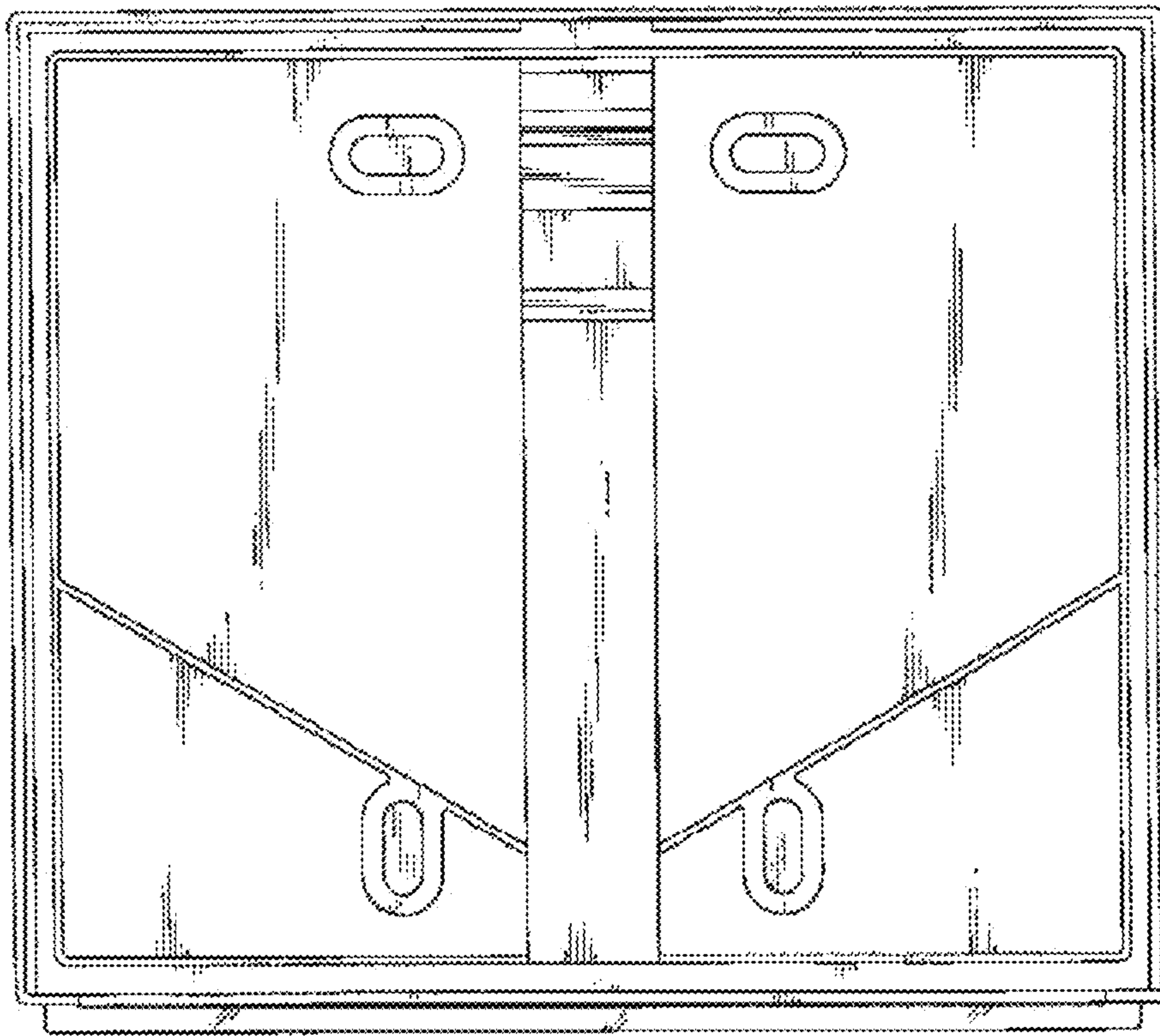


Fig. 5

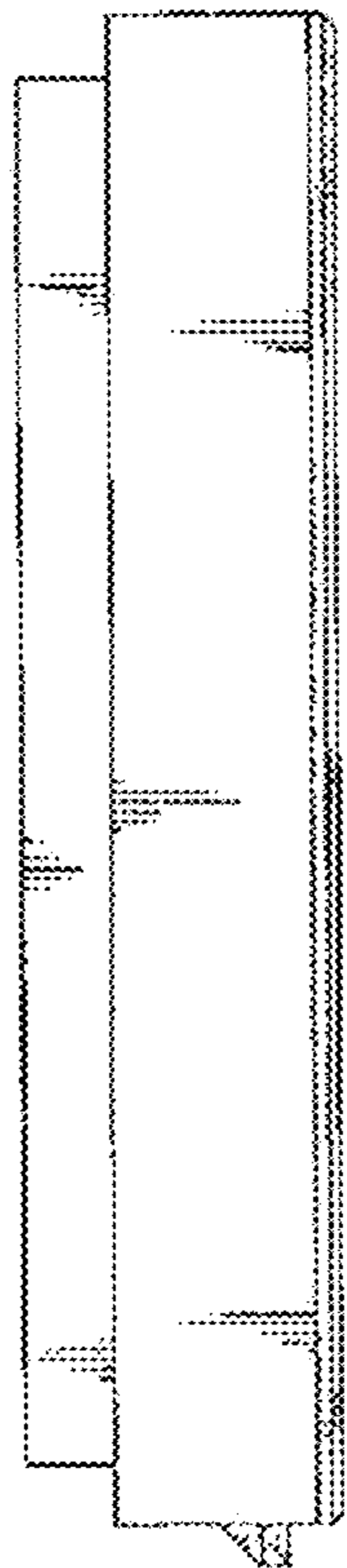


Fig. 6

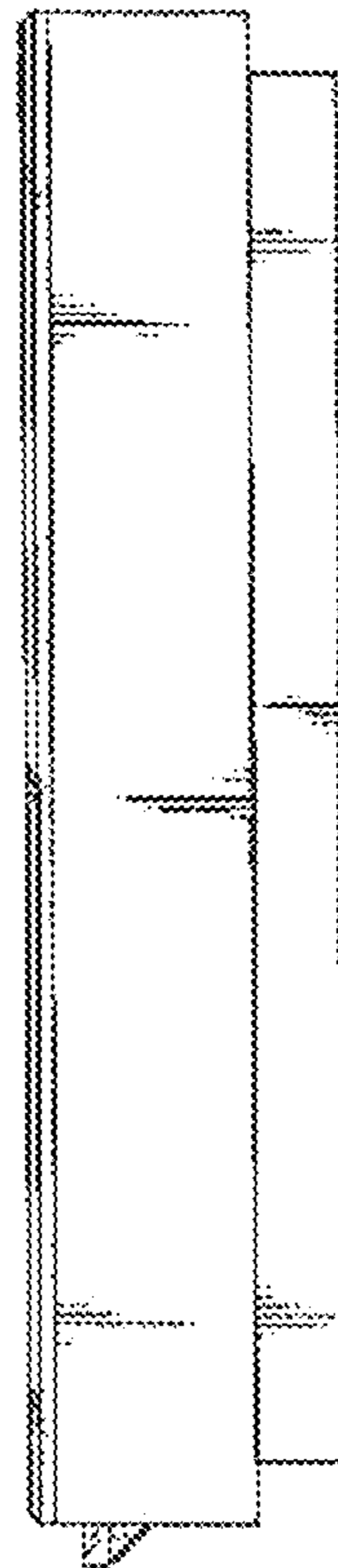


Fig. 7

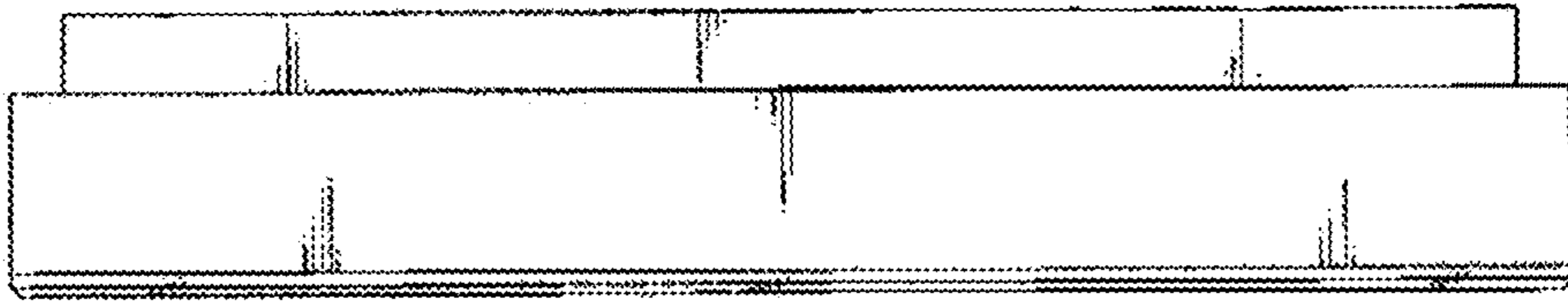


Fig. 8

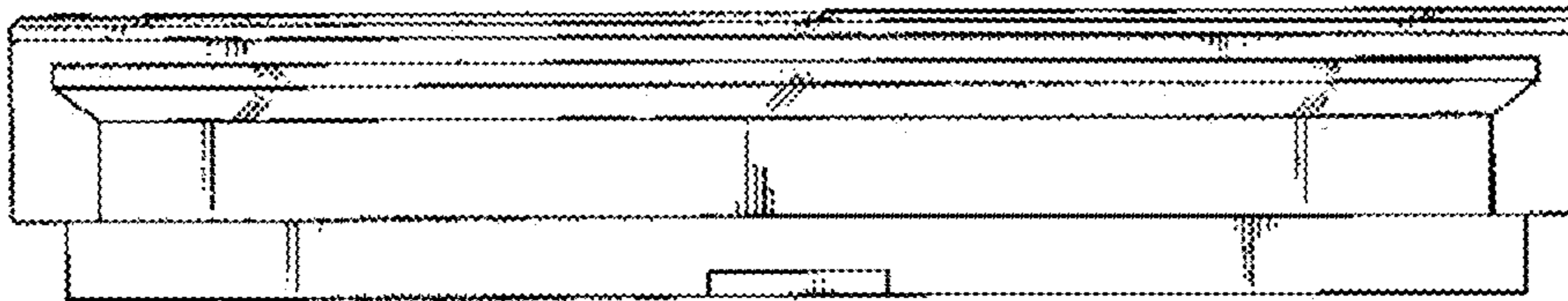


Fig. 9

