

US00D744434S

(12) **United States Design Patent**
Gassner

(10) **Patent No.:** **US D744,434 S**
(45) **Date of Patent:** **** Dec. 1, 2015**

(54) **WIRELESS TOUCHSCREEN HAND
CONTROLLER WITH CHARGER SET**

(71) Applicant: **LIMOSS (SHENZHEN) CO., LTD.**,
Shenzhen, Guangdong (CN)

(72) Inventor: **Christian Gassner**, Shenzhen (CN)

(73) Assignee: **LIMOSS (SHENZHEN) CO., LTD.**,
Shenzhen (CN)

(**) Term: **14 Years**

(21) Appl. No.: **29/497,165**

(22) Filed: **Jul. 21, 2014**

(30) **Foreign Application Priority Data**

Apr. 23, 2014 (CN) 2014 3 0101387

(51) **LOC (10) Cl.** **13-03**

(52) **U.S. Cl.**
USPC **D13/168**

(58) **Field of Classification Search**

USPC D13/107, 168; D6/300, 308; D10/49,
D10/50, 104.1, 106.1, 106.95; D14/126,
D14/129, 336, 337, 341, 371, 375, 218
CPC A47C 20/041; A47C 31/008; G05B
19/0426; G05B 19/409; G05B 15/02; G06F
1/1601; G06F 3/041; G06F 3/044; G06F
3/0482; G06F 3/0488; G06F 3/0489; G05D
23/1902; G05D 23/1905; G05D 23/1931;
G02F 1/33308; H01H 9/02; H05B 37/02;
H02J 7/0042; H02J 7/0044; H02J 7/025

See application file for complete search history.

(56) **References Cited**

U.S. PATENT DOCUMENTS

D321,855 S * 11/1991 Ross, Jr. D13/107
7,047,092 B2 * 5/2006 Wimsatt 700/83
D546,280 S * 7/2007 Marchetto et al. D13/107
D562,259 S * 2/2008 Kosche D13/162

D568,257 S * 5/2008 Tatsuyama et al. D13/162
D614,871 S * 5/2010 Tang et al. D6/308
D625,928 S * 10/2010 Lee et al. D6/308
8,188,707 B2 * 5/2012 McBurney 320/107
8,253,375 B2 * 8/2012 Zhang et al. 320/107
D668,650 S * 10/2012 Han D14/341
D672,768 S * 12/2012 Huang et al. D14/341
D677,660 S * 3/2013 Groene et al. D14/341
D684,872 S * 6/2013 Bias et al. D10/49
D687,388 S * 8/2013 Baumgartner et al. D13/162
D690,661 S * 10/2013 Wisniewski et al. D13/162
8,565,934 B2 * 10/2013 Rawls-Meehan 700/302
D694,195 S * 11/2013 Gammon et al. D13/162
8,610,398 B2 * 12/2013 Lee et al. 320/108

(Continued)

Primary Examiner — Selina Sikder

(57) **CLAIM**

The ornamental design for a wireless touchscreen hand controller with charger set, as shown and described.

DESCRIPTION

FIG. 1 is a perspective view of a wireless touchscreen hand controller with charger set showing my new design wherein the wireless touchscreen hand controller is not inside the charger;

FIG. 2 is a second perspective view thereof;

FIG. 3 is a third perspective view thereof;

FIG. 4 is a fourth perspective view thereof;

FIG. 5 is a front elevational view of the wireless touchscreen hand controller with charger set wherein the wireless touchscreen hand controller is inside the charger;

FIG. 6 is a rear elevational view of FIG. 5;

FIG. 7 is a left side view of FIG. 5;

FIG. 8 is a right side view of FIG. 5;

FIG. 9 is a top plan view of FIG. 5;

FIG. 10 is a bottom plan view of FIG. 5;

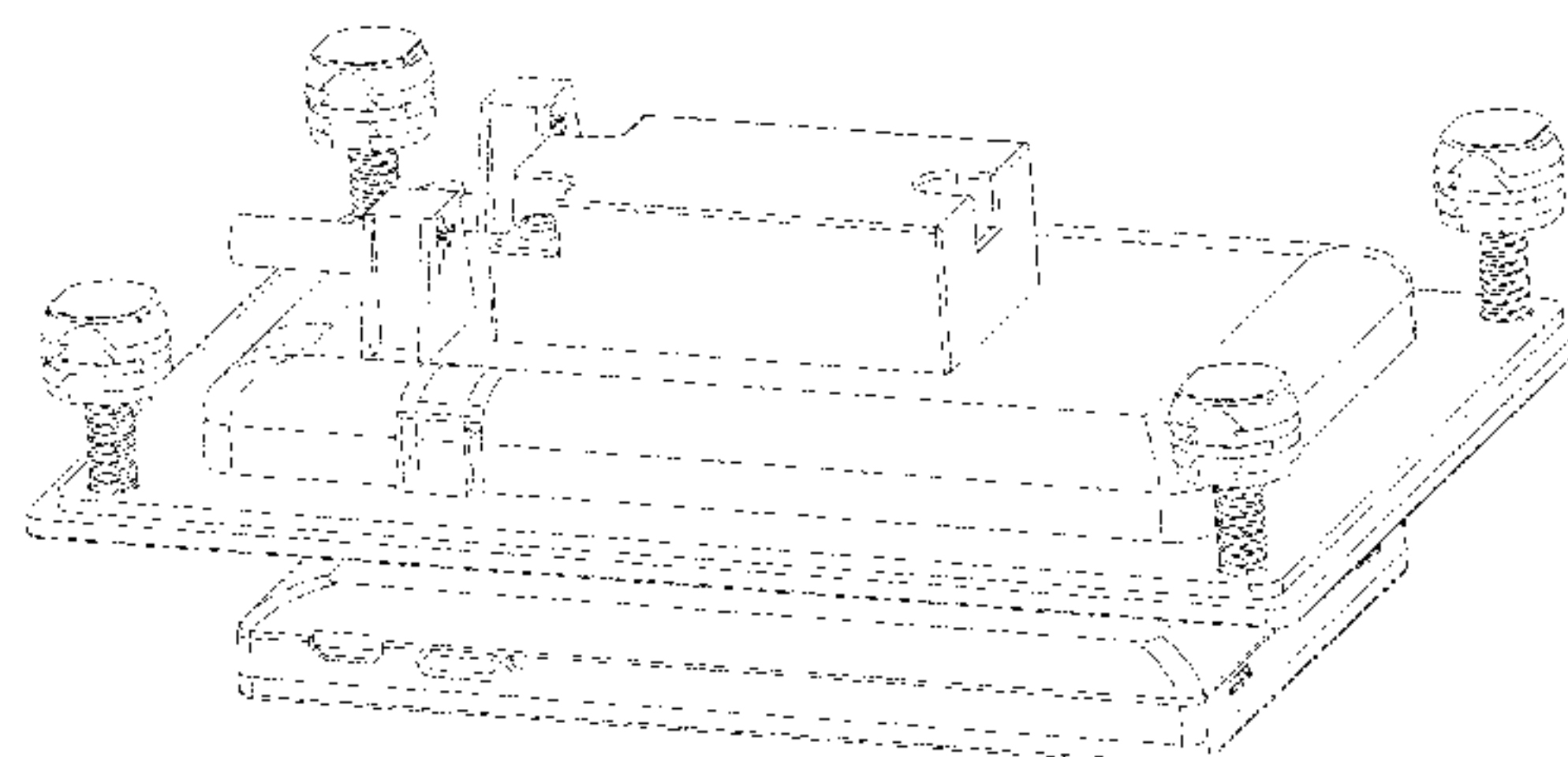
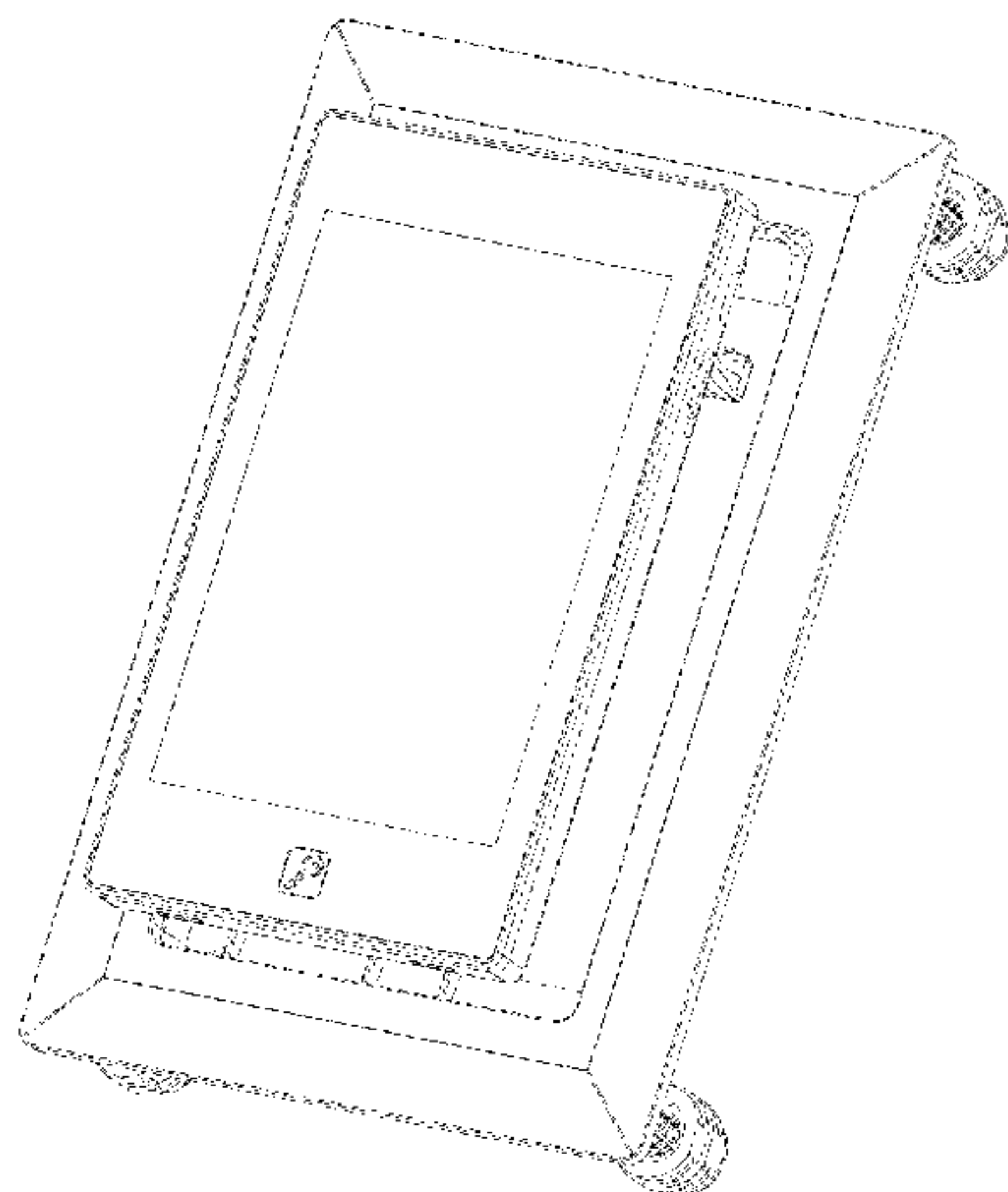
FIG. 11 is a first perspective view of FIG. 5;

FIG. 12 is a second perspective view of FIG. 5;

FIG. 13 is a third perspective view of FIG. 5; and,

FIG. 14 is a fourth perspective view of FIG. 5.

1 Claim, 14 Drawing Sheets



(56)

References Cited

U.S. PATENT DOCUMENTS

8,909,357	B2 *	12/2014	Rawls-Meehan	700/17	2013/0161489	A1 *	6/2013	Gardner, Jr.	250/208.1
D727,271	S *	4/2015	Shi et al.	D13/162	2013/0184880	A1 *	7/2013	McMahon	700/286
D727,857	S *	4/2015	Acera et al.	D13/162	2013/0187607	A1 *	7/2013	Wang et al.	320/115
D729,163	S *	5/2015	Meyer	D13/123	2014/0070707	A1 *	3/2014	Nagazoe	315/151
D729,793	S *	5/2015	Hickok et al.	D14/336	2014/0074296	A1 *	3/2014	Yum et al.	700/275
2006/0055681	A1 *	3/2006	West et al.	345/173	2014/0184978	A1 *	7/2014	Yu et al.	349/58
2012/0146571	A1 *	6/2012	Hsu et al.	320/101	2014/0239843	A1 *	8/2014	Hoang	315/291
					2014/0265897	A1 *	9/2014	Taipale et al.	315/200 R
					2015/0076991	A1 *	3/2015	Yamamoto et al.	315/153

* cited by examiner

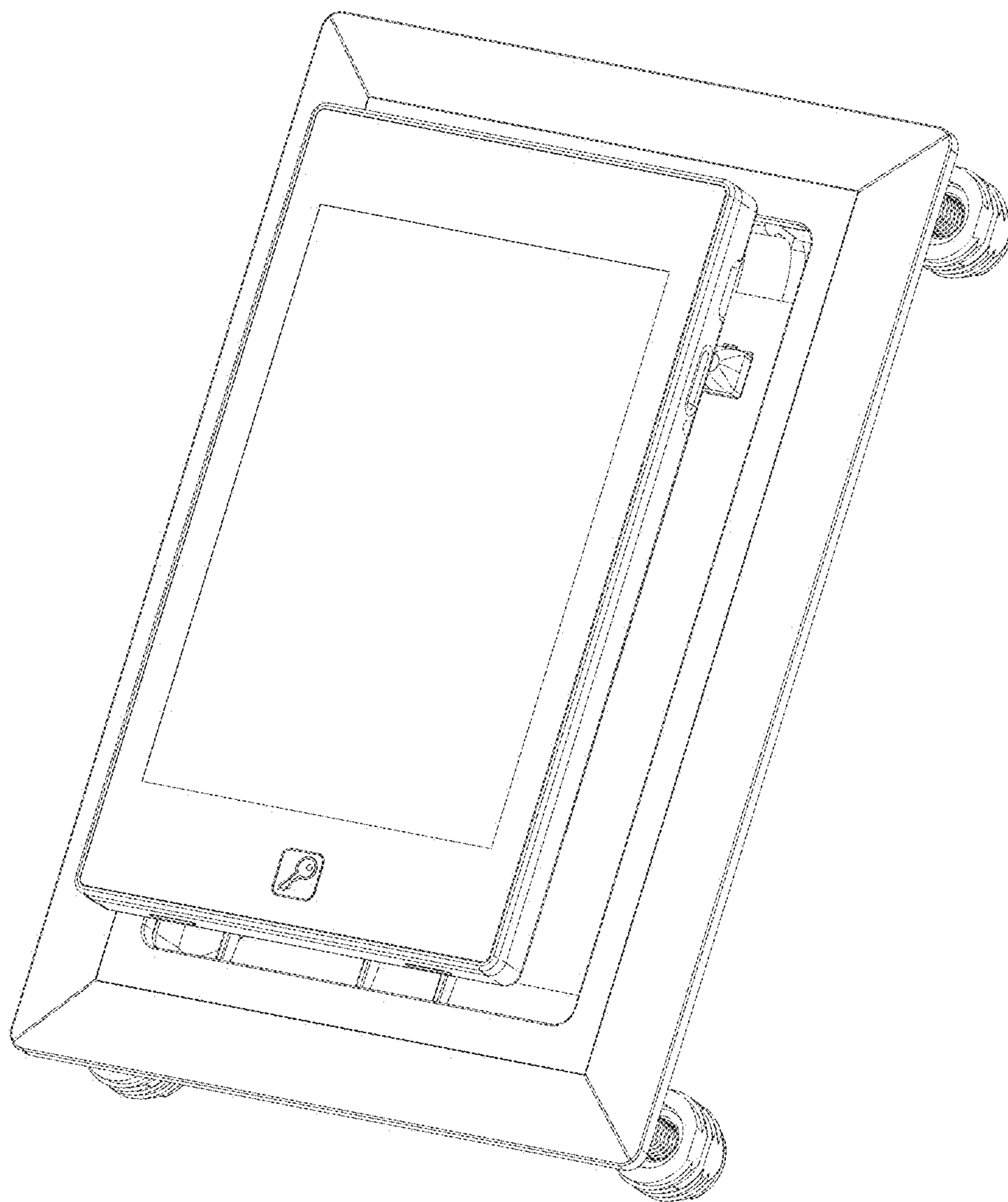


Fig. 1

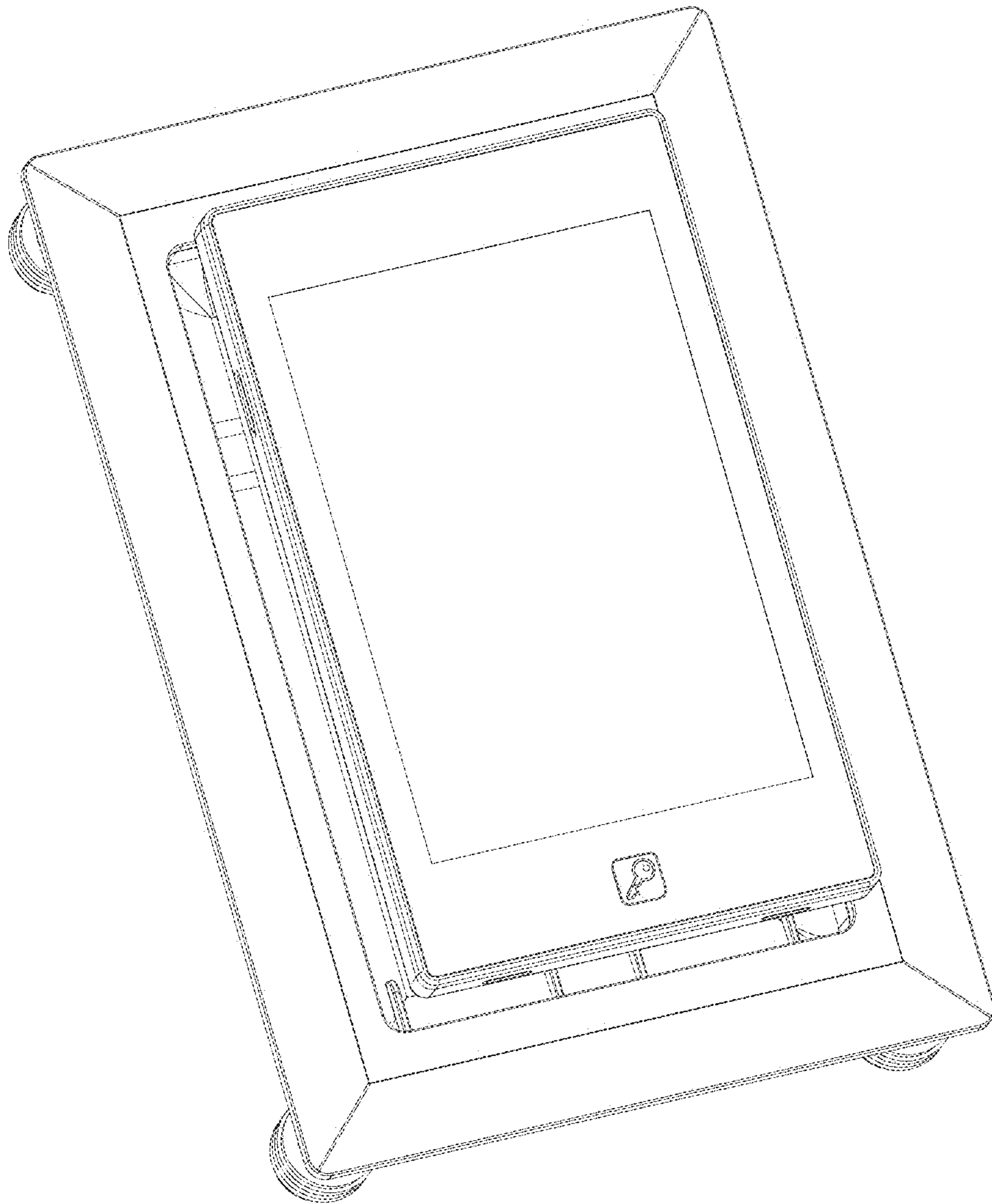


Fig. 2

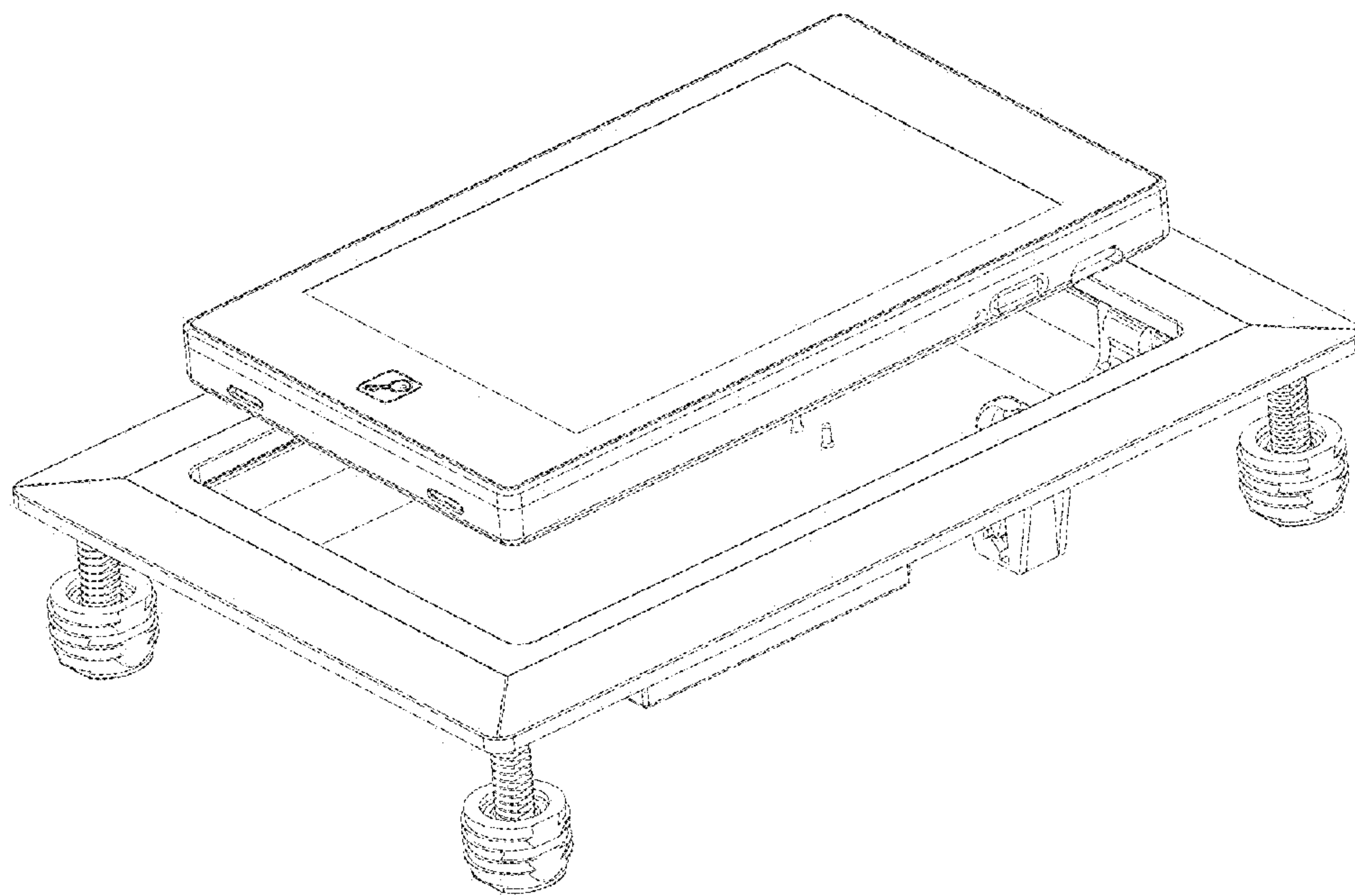


Fig. 3

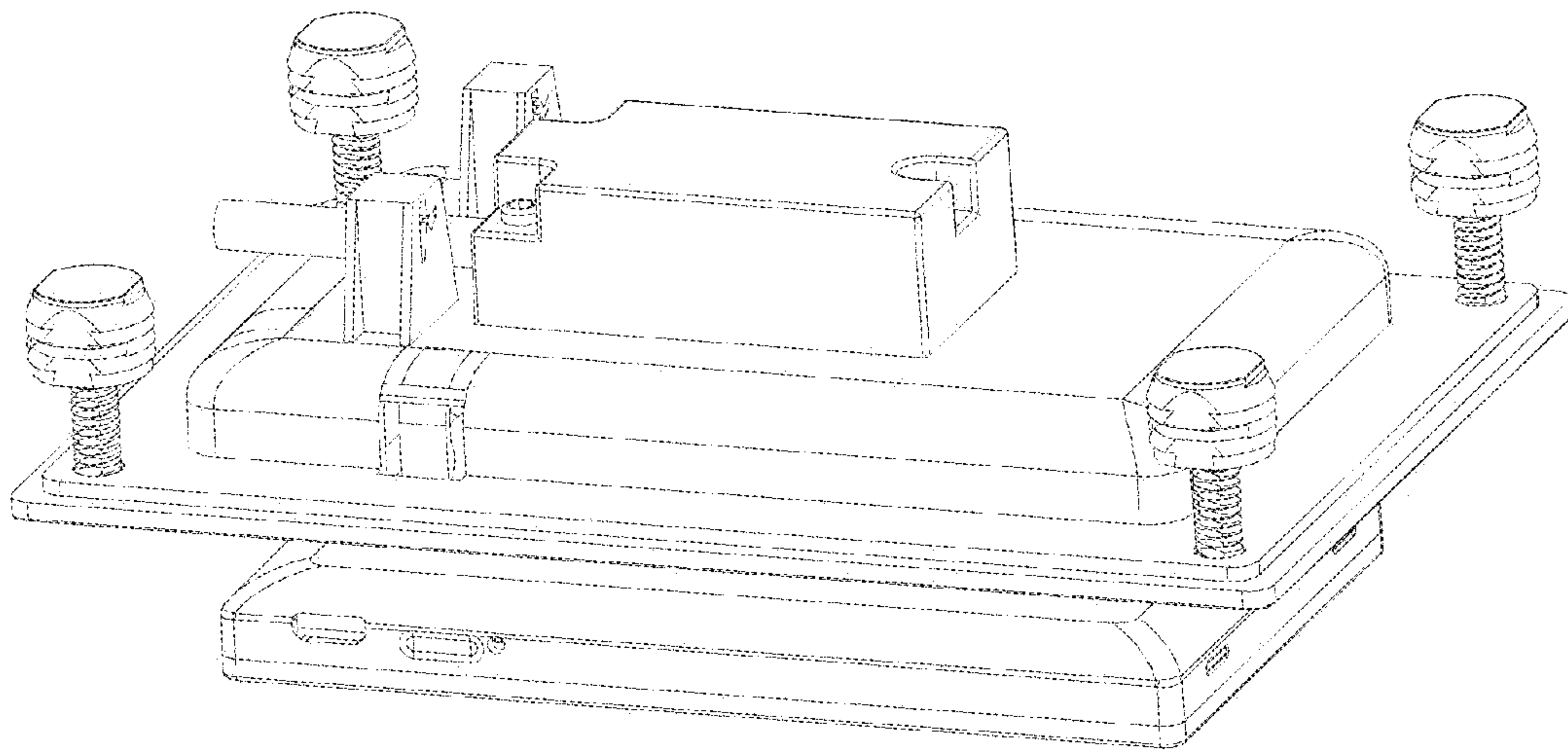


Fig. 4

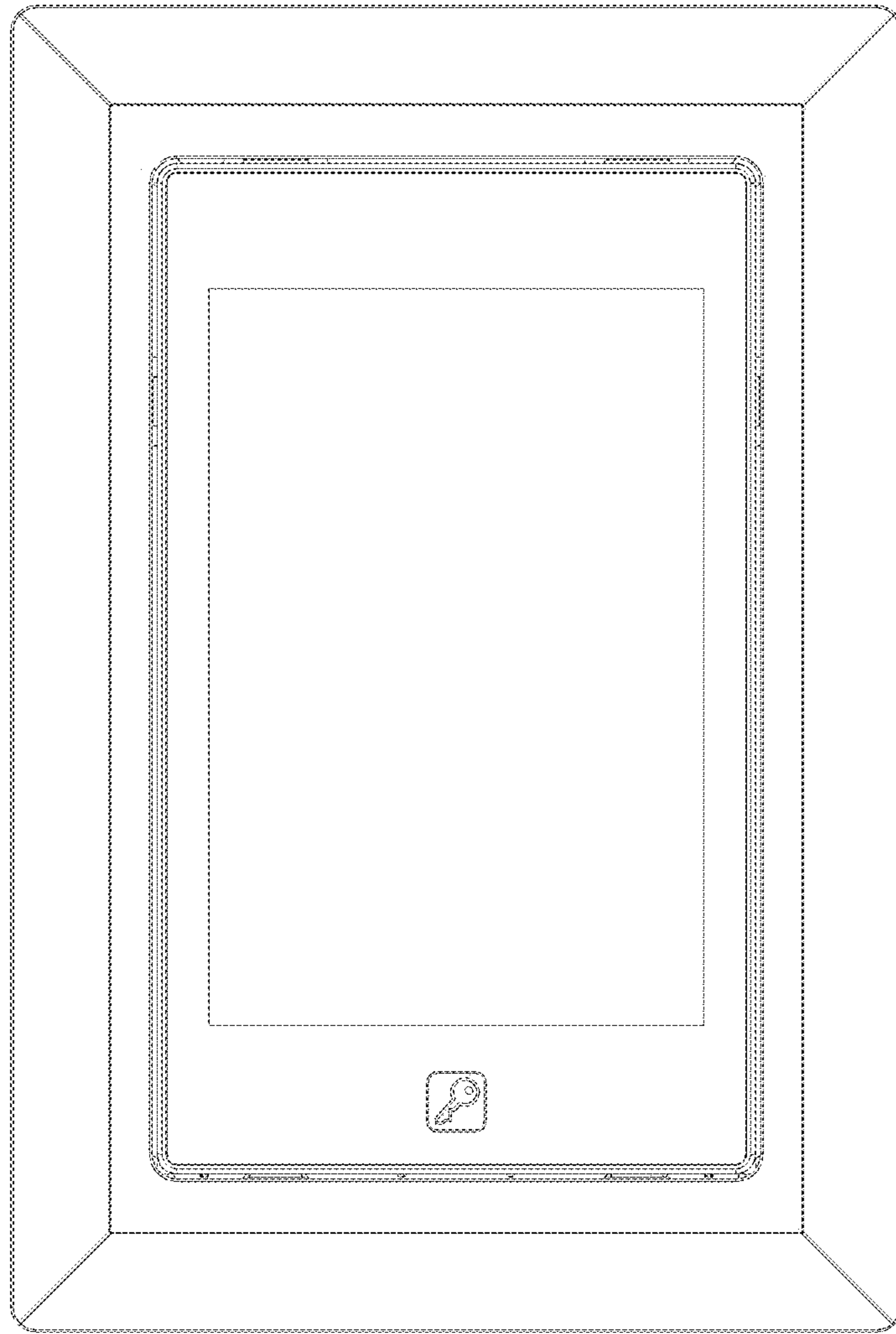


Fig. 5

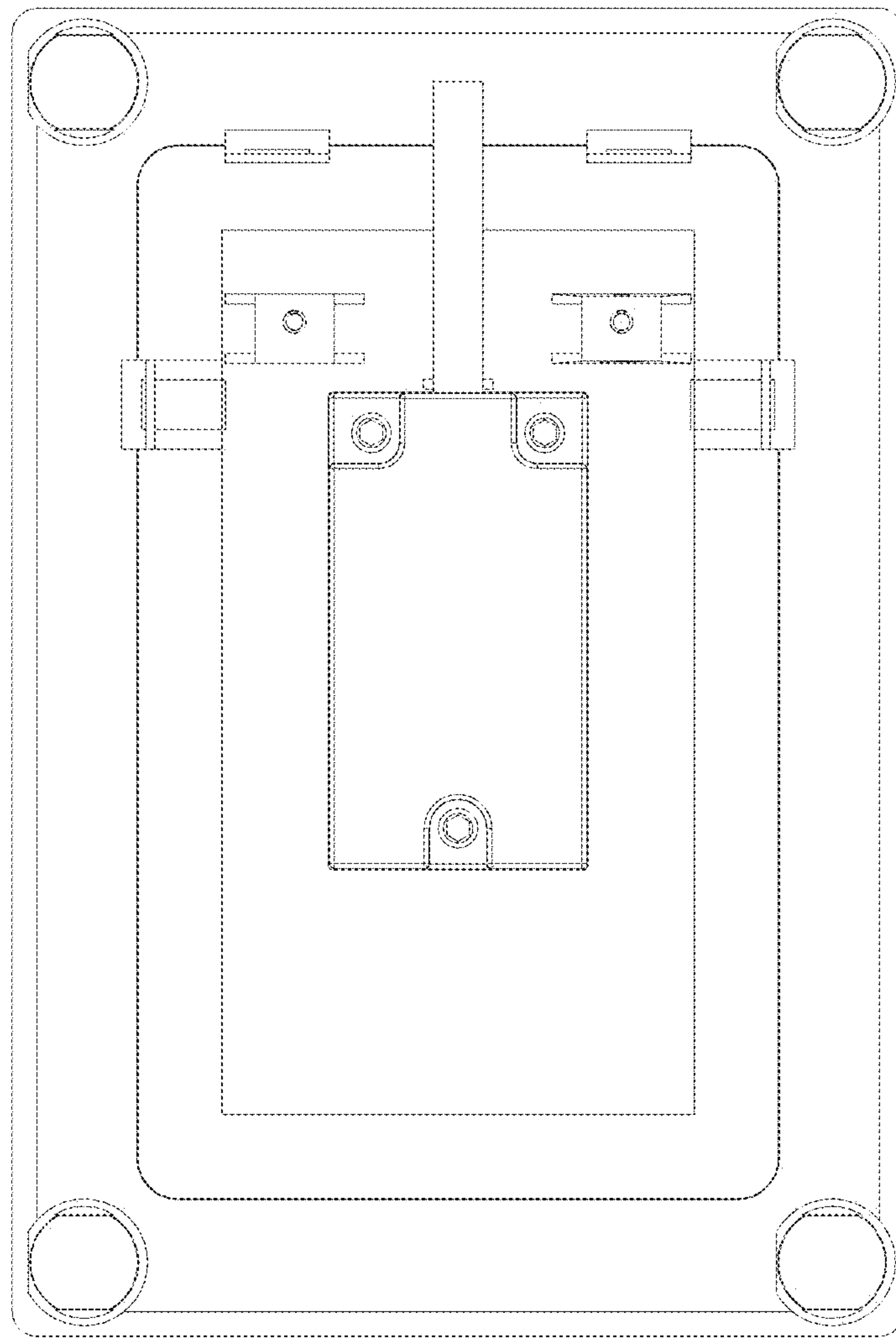


Fig. 6

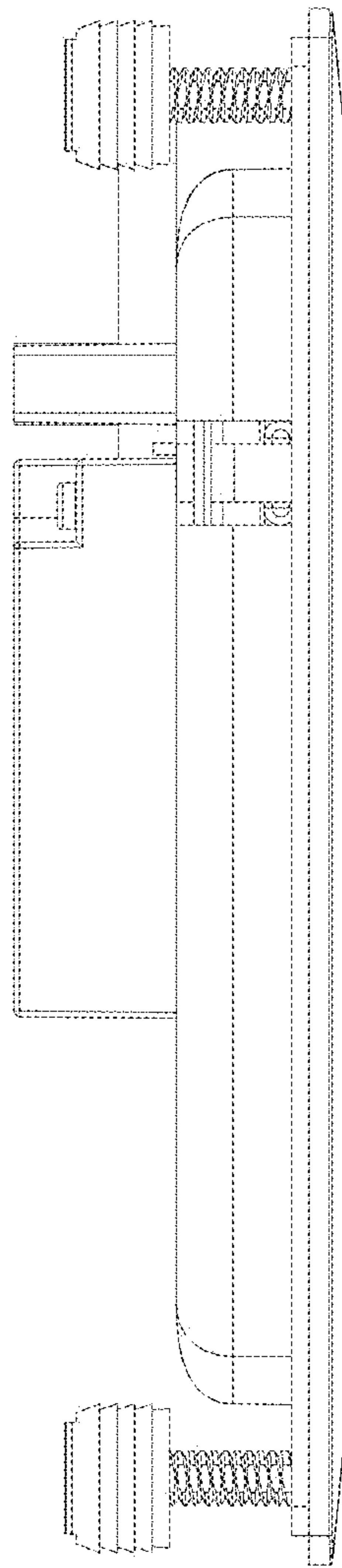


Fig. 7

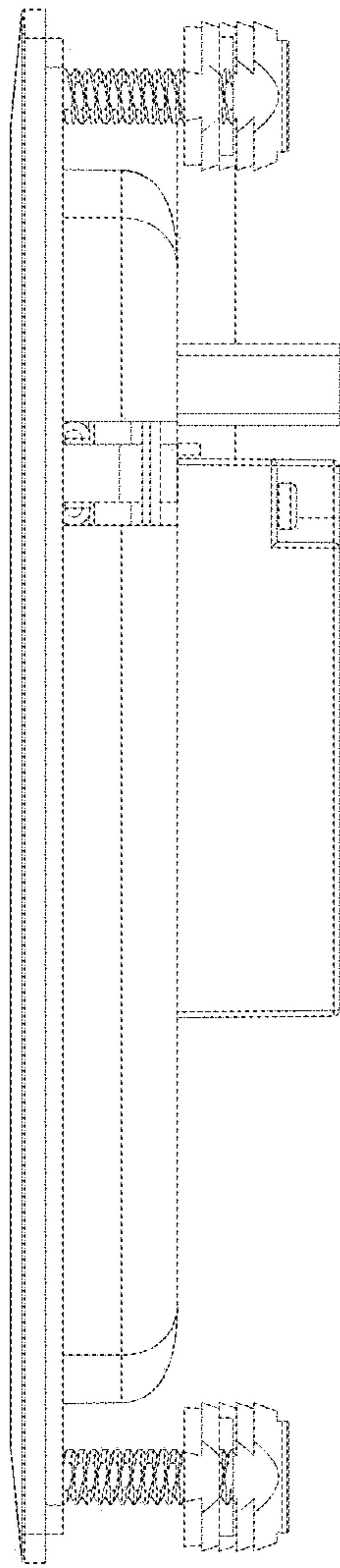


Fig. 8

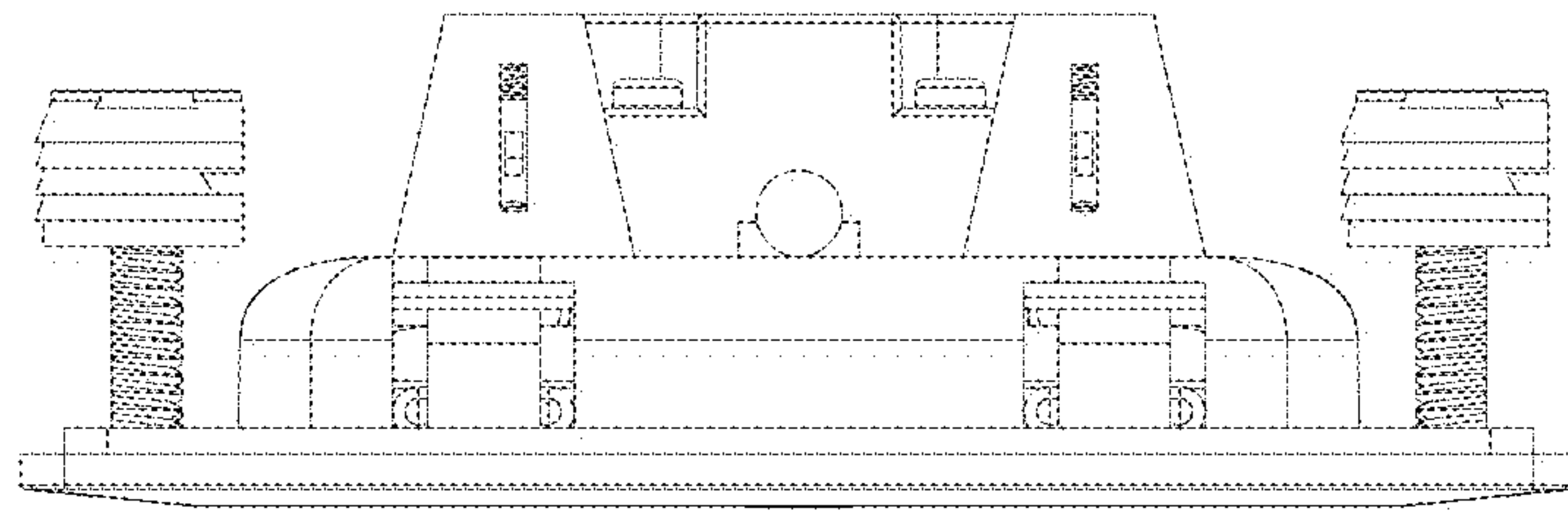


Fig. 9

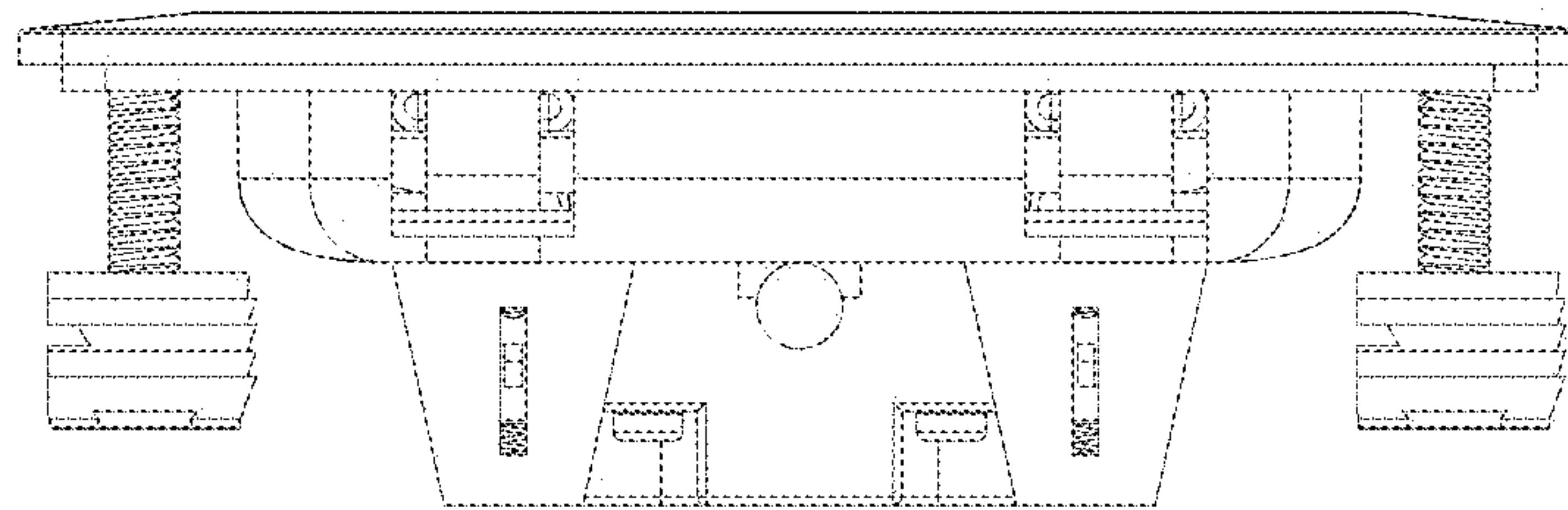


Fig. 10

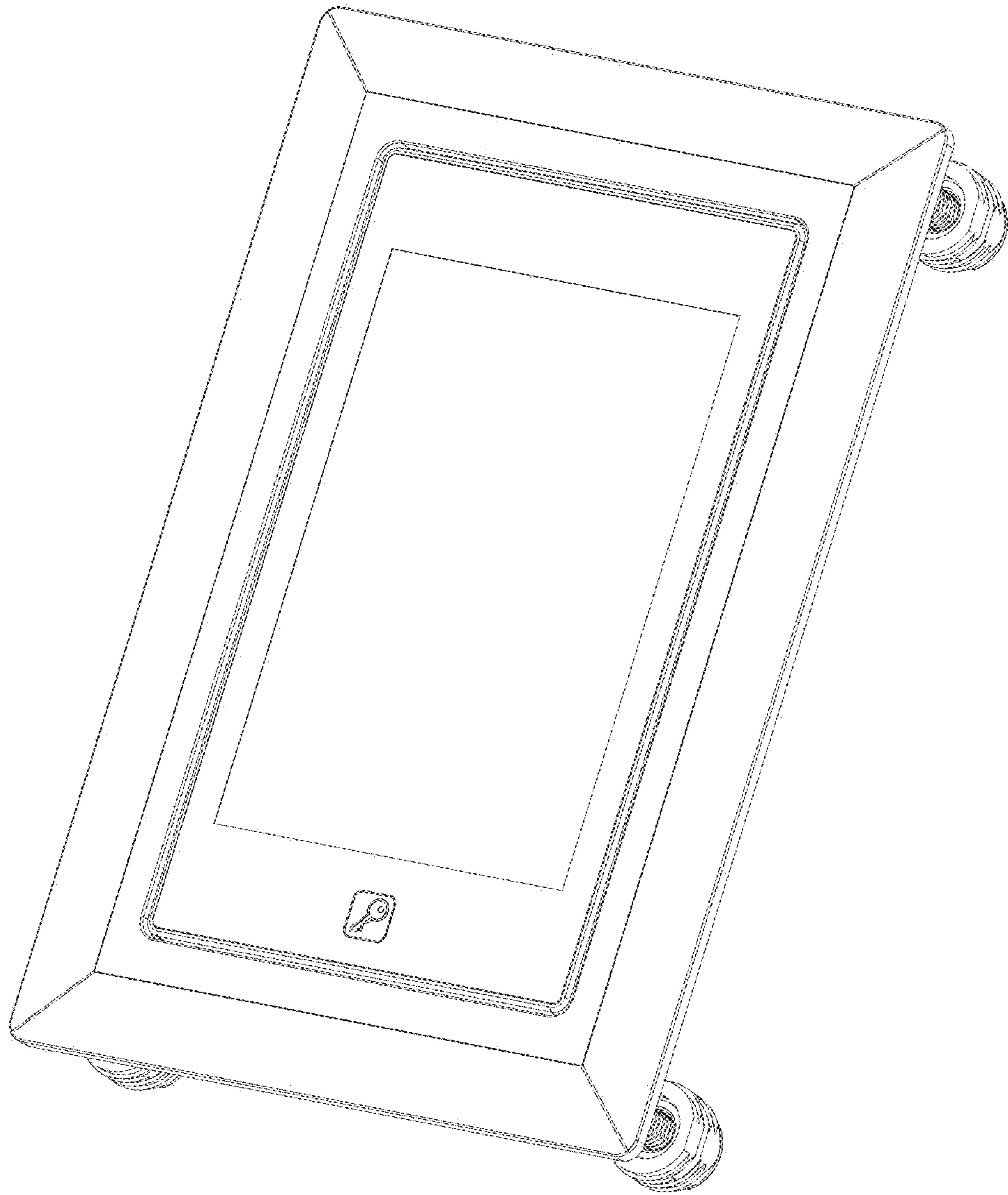


Fig. 11

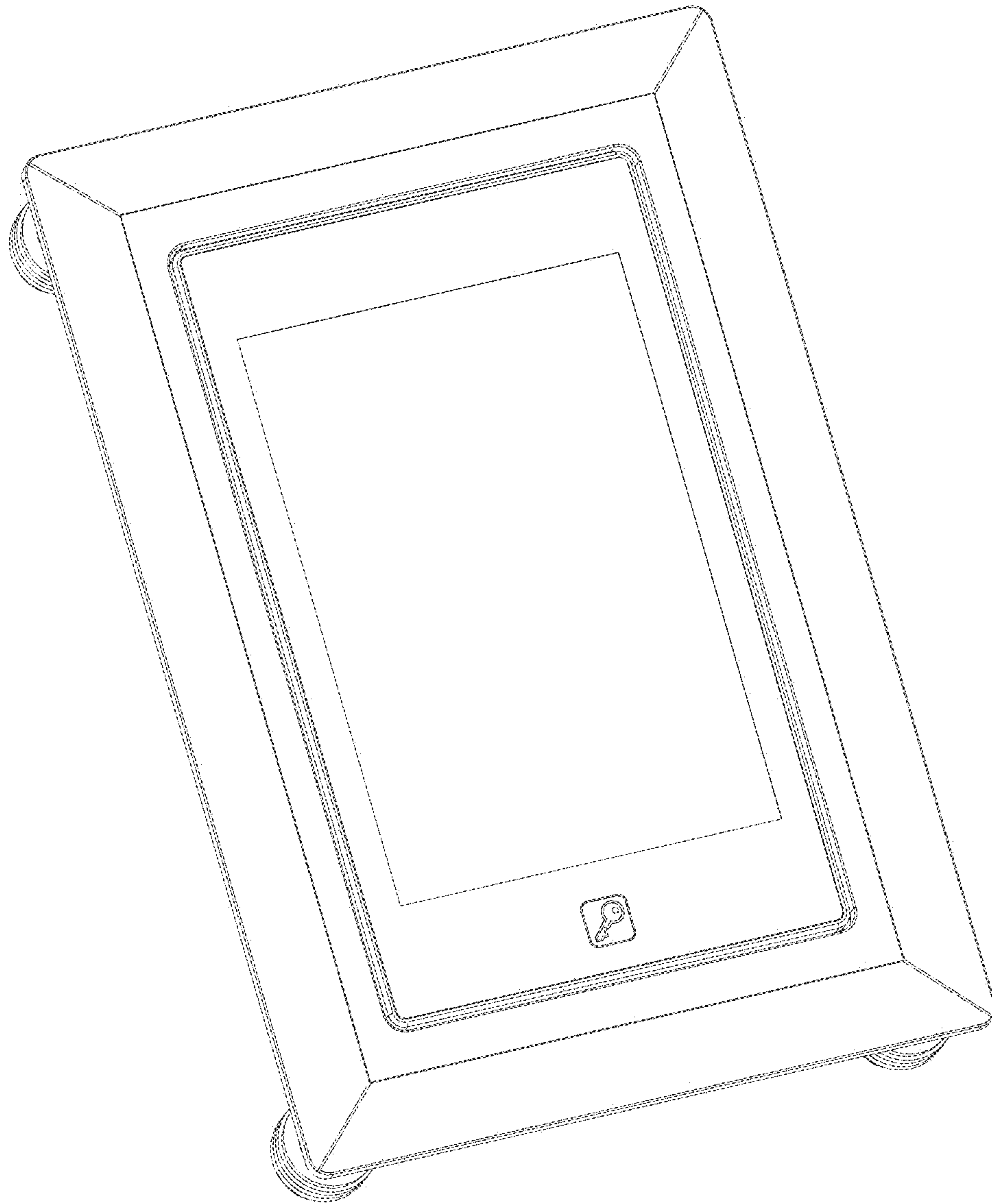


Fig. 12

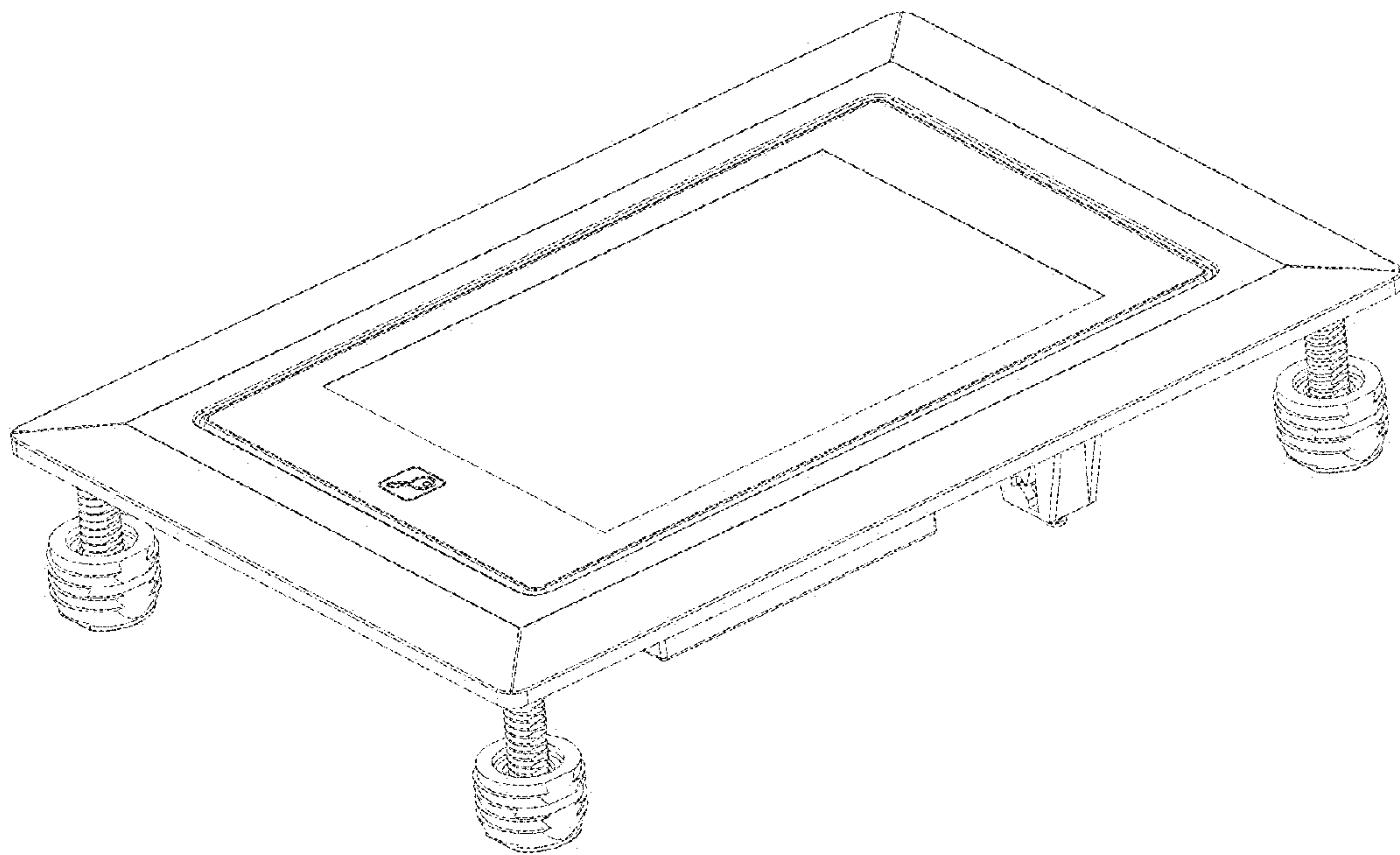


Fig. 13

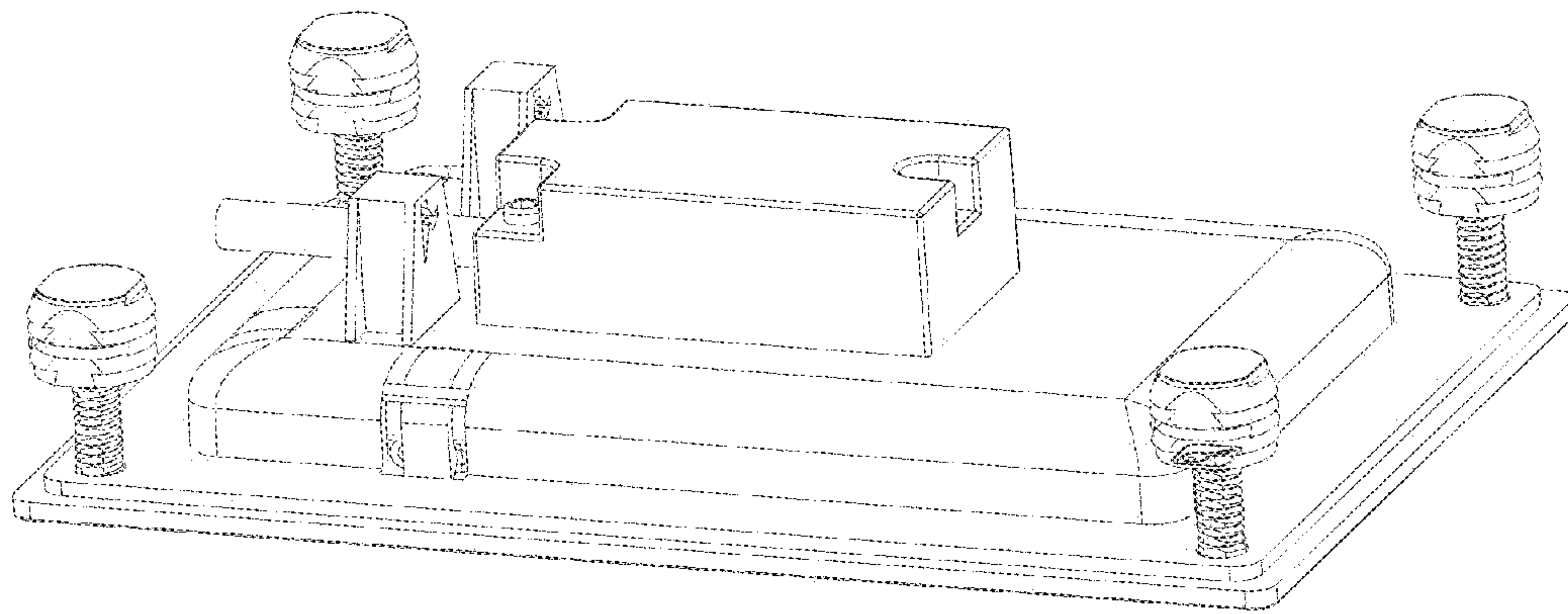


Fig. 14