



US00D744432S

(12) **United States Design Patent**
Kim et al.

(10) **Patent No.:** **US D744,432 S**

(45) **Date of Patent:** **** Dec. 1, 2015**

(54) **ELECTRICAL CONNECTION TERMINAL**

(71) Applicants: **JOINSET CO., LTD.**, Ansan-si,
Kyeonggi-do (KR); **Sun-Ki Kim**,
Gunpo-si (KR)

(72) Inventors: **Sun-Ki Kim**, Gunpo-si (KR); **Tae-Man Kang**, Ansan-si (KR)

(73) Assignees: **Joinset Co., Ltd.**, Ansan-si (KR);
Sun-Ki Kim, Gunpo-si (KR)

(**) Term: **14 Years**

(21) Appl. No.: **29/492,791**

(22) Filed: **Jun. 3, 2014**

(30) **Foreign Application Priority Data**

Apr. 25, 2014 (KR) 30-2014-0021147

(51) **LOC (10) Cl.** **13-03**

(52) **U.S. Cl.**
USPC **D13/154**

(58) **Field of Classification Search**
USPC D13/133, 146, 147, 154, 184, 199
See application file for complete search history.

(56) **References Cited**

U.S. PATENT DOCUMENTS

D313,974 S * 1/1991 Meller D13/173
D325,583 S * 4/1992 Matuszewski D14/234

8,651,900 B1 * 2/2014 Hsu 439/700
2006/0216959 A1 * 9/2006 Gelman et al. 439/66
2009/0221189 A1 * 9/2009 Xu 439/700
2009/0305580 A1 * 12/2009 An 439/824
2015/0133000 A1 * 5/2015 Kim et al. 439/700

* cited by examiner

Primary Examiner — Daniel Bui

(74) *Attorney, Agent, or Firm* — Park & Associates IP Law,
P.C.

(57) **CLAIM**

The ornamental design for an electrical connection terminal,
as shown and described.

DESCRIPTION

FIG. 1 is a top perspective view of an electrical connection terminal showing our new design;
FIG. 2 is a side elevation view thereof;
FIG. 3 is a top plan view thereof;
FIG. 4 is a bottom perspective view thereof;
FIG. 5 is a cross sectional view thereof, taken along line 5-5 of FIG. 1;
FIG. 6 is a cross sectional view thereof, in use condition; and,
FIG. 7 is a cross sectional view thereof, in use condition, and in an alternate configuration.

The broken line in the drawing views is for the purpose of illustrating unclaimed environment structure and forms no part of the claimed design.

1 Claim, 4 Drawing Sheets

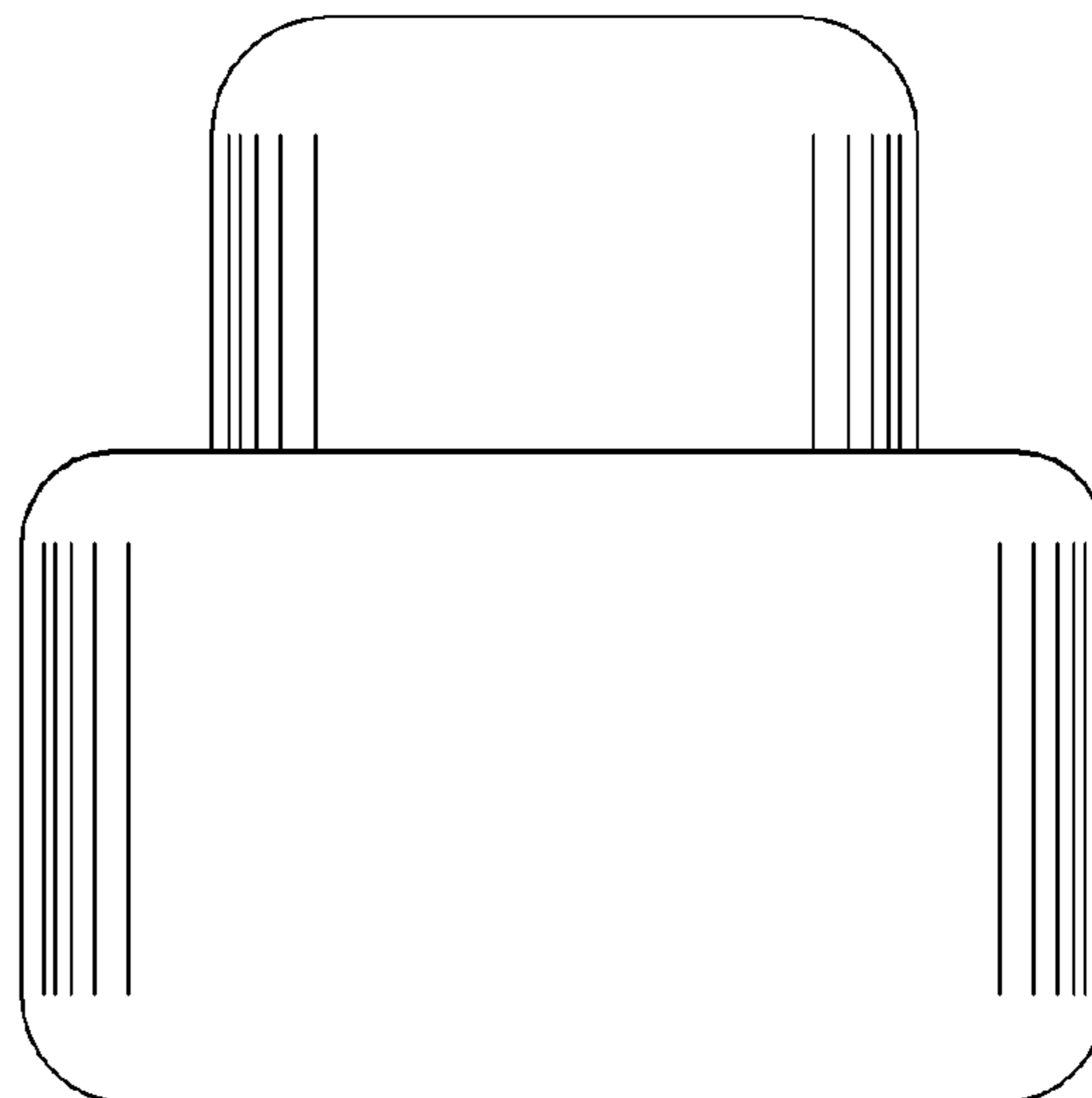
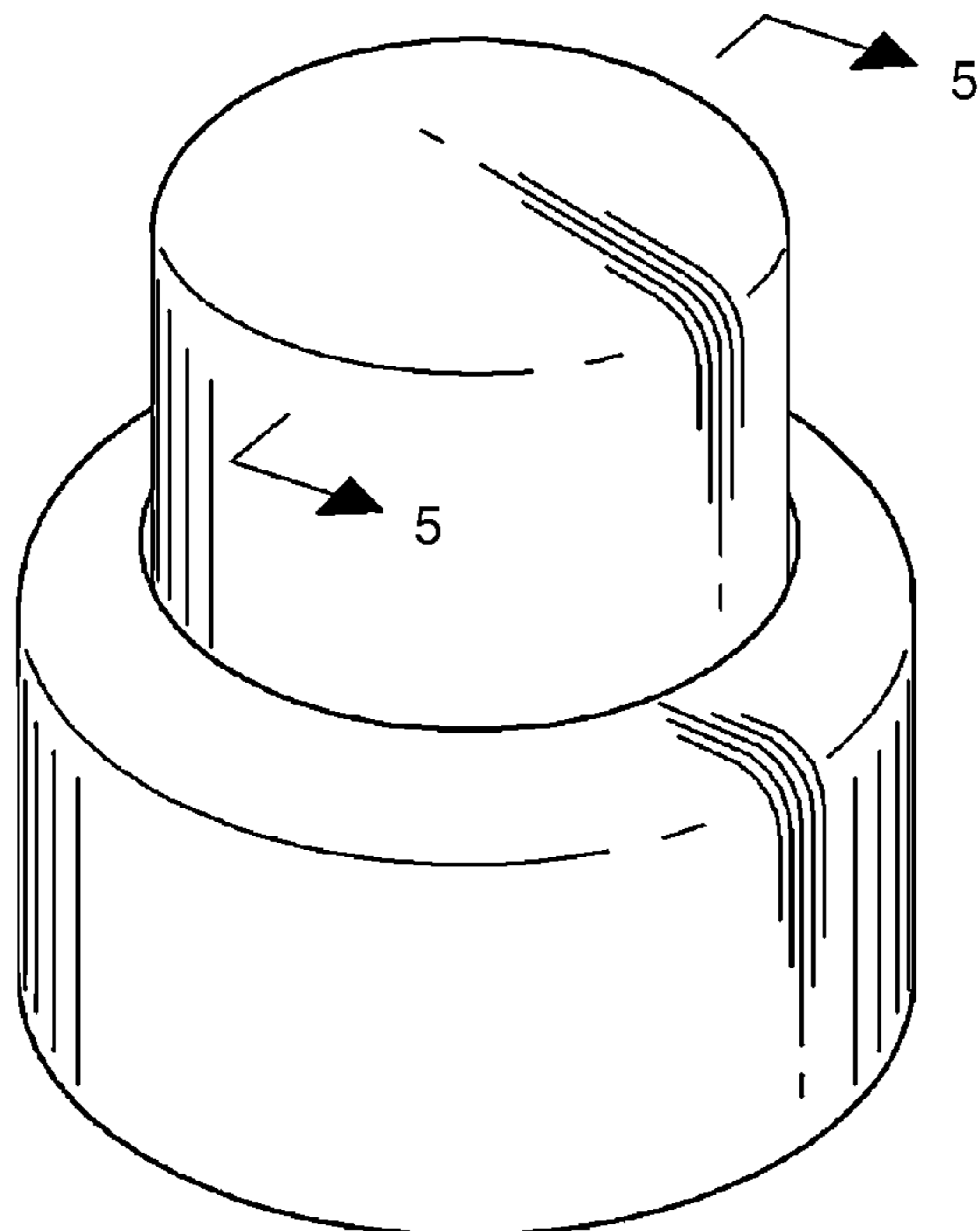


FIG. 1

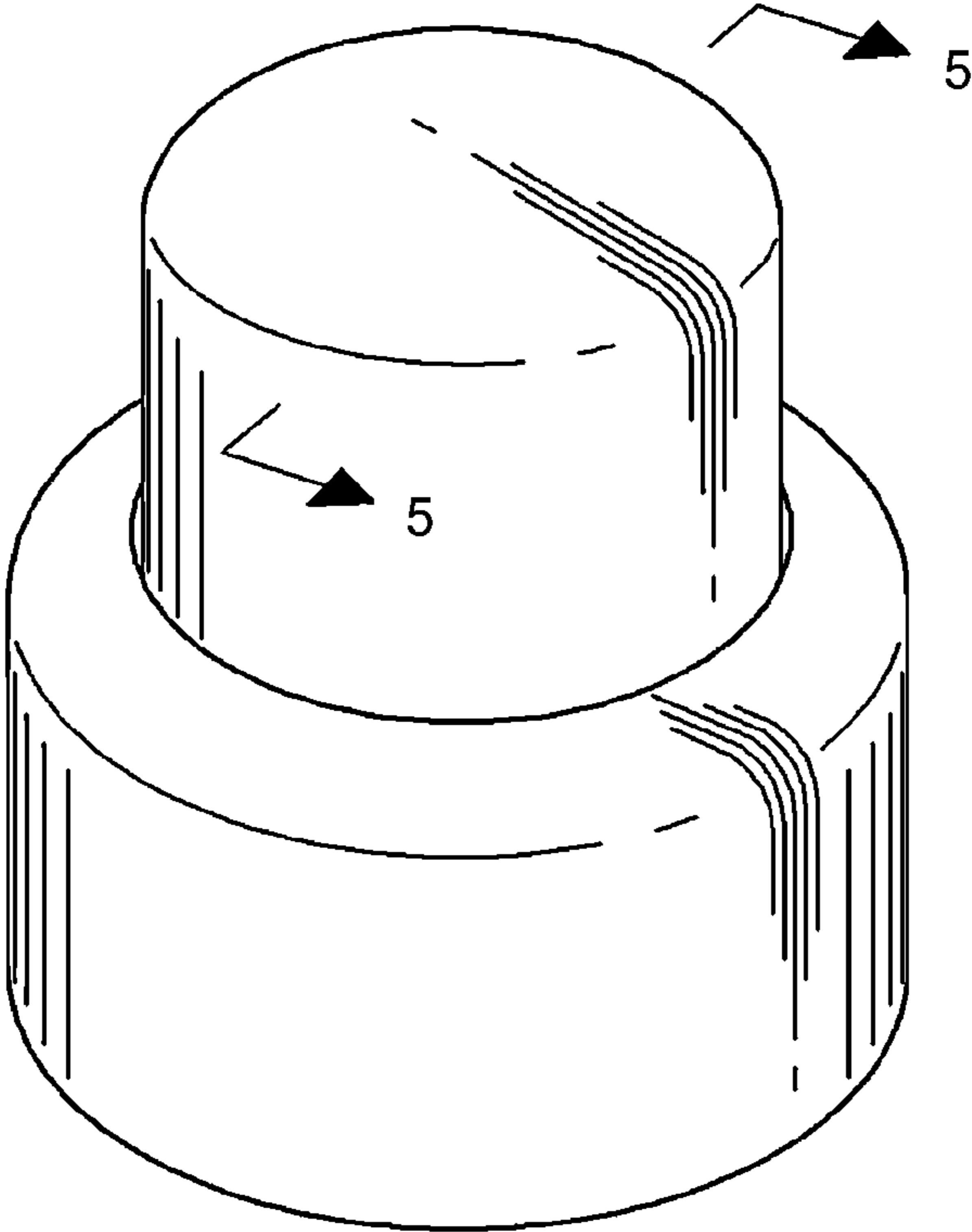


FIG. 2

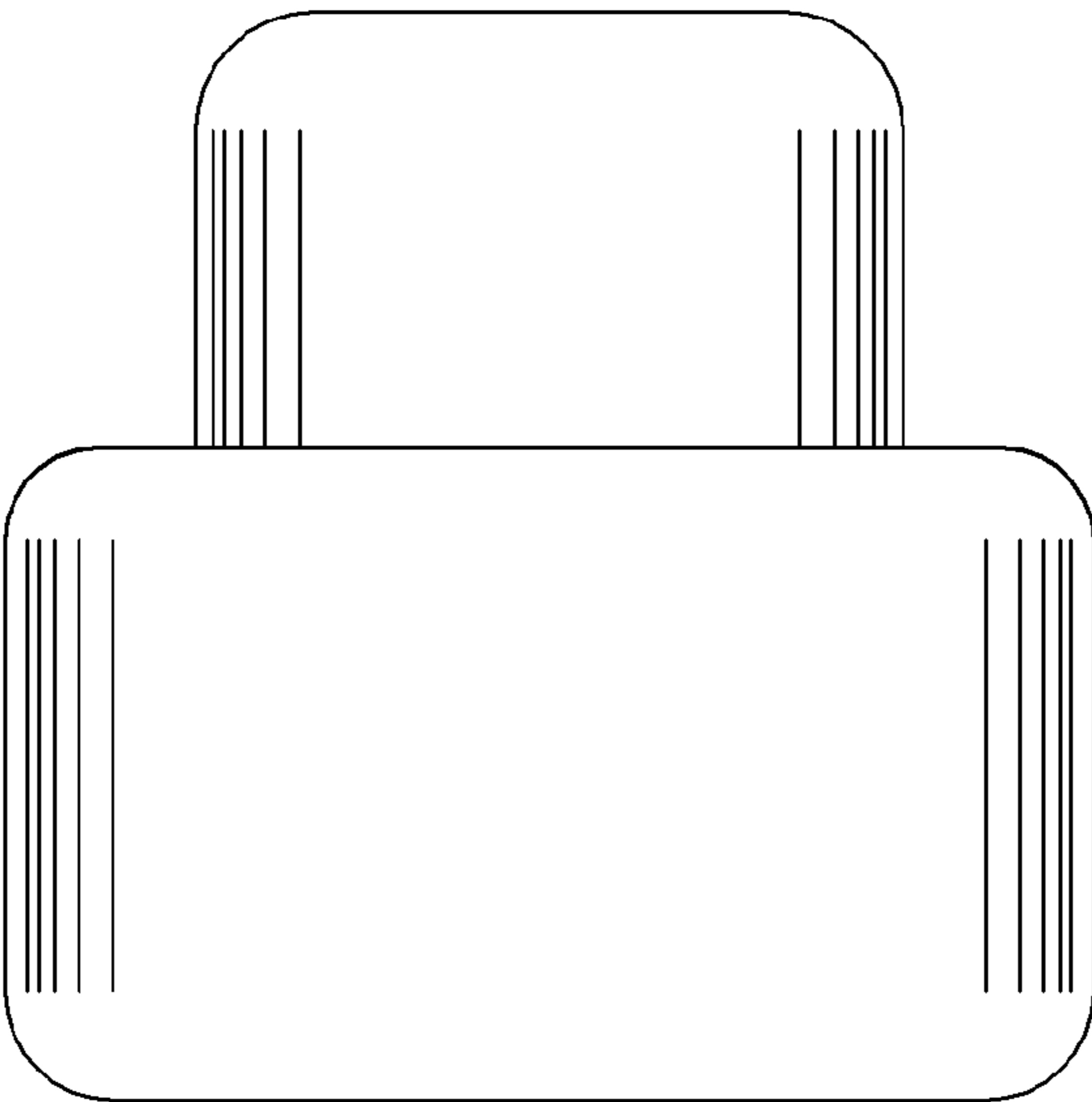


FIG. 3

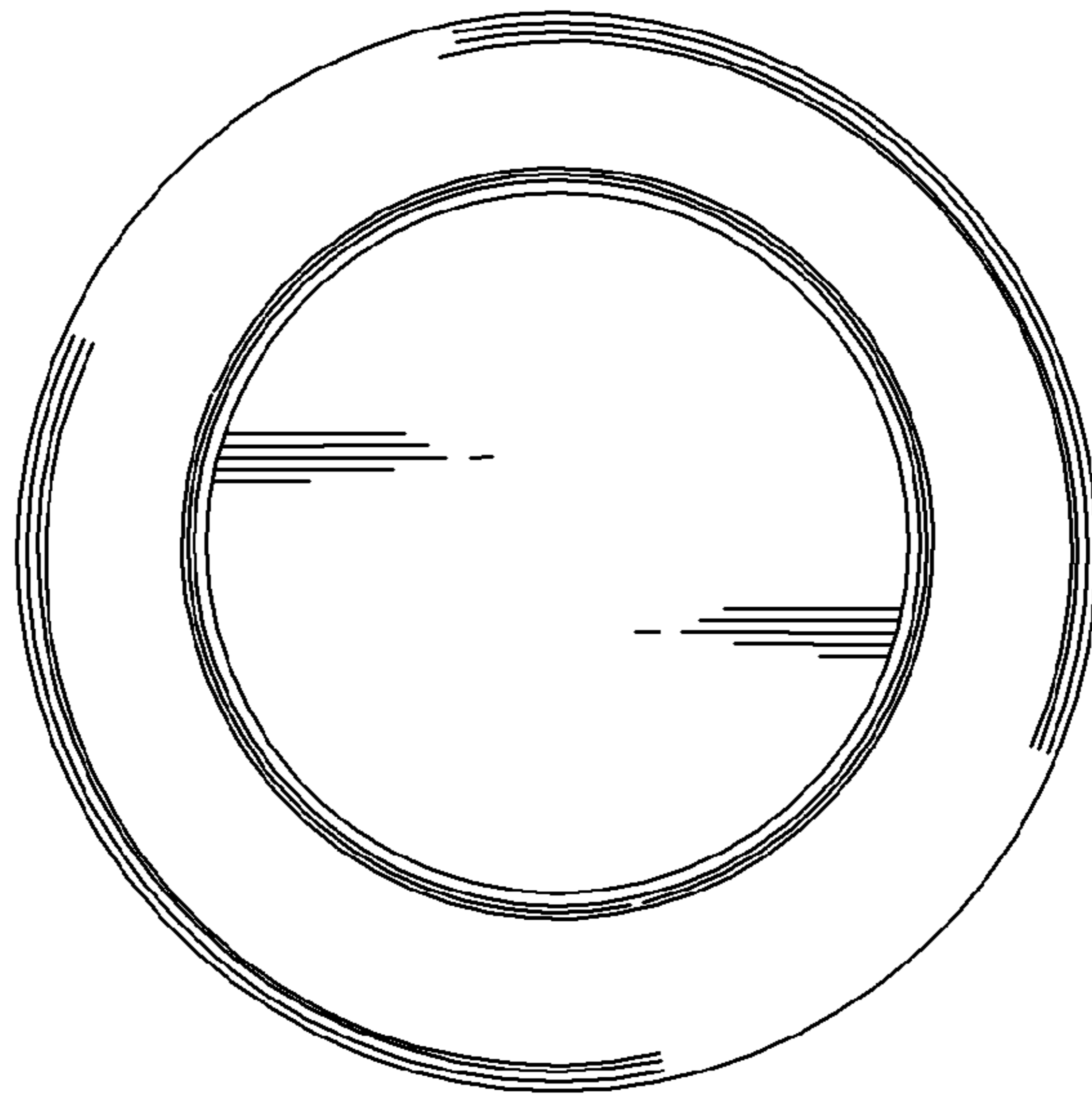


FIG. 4

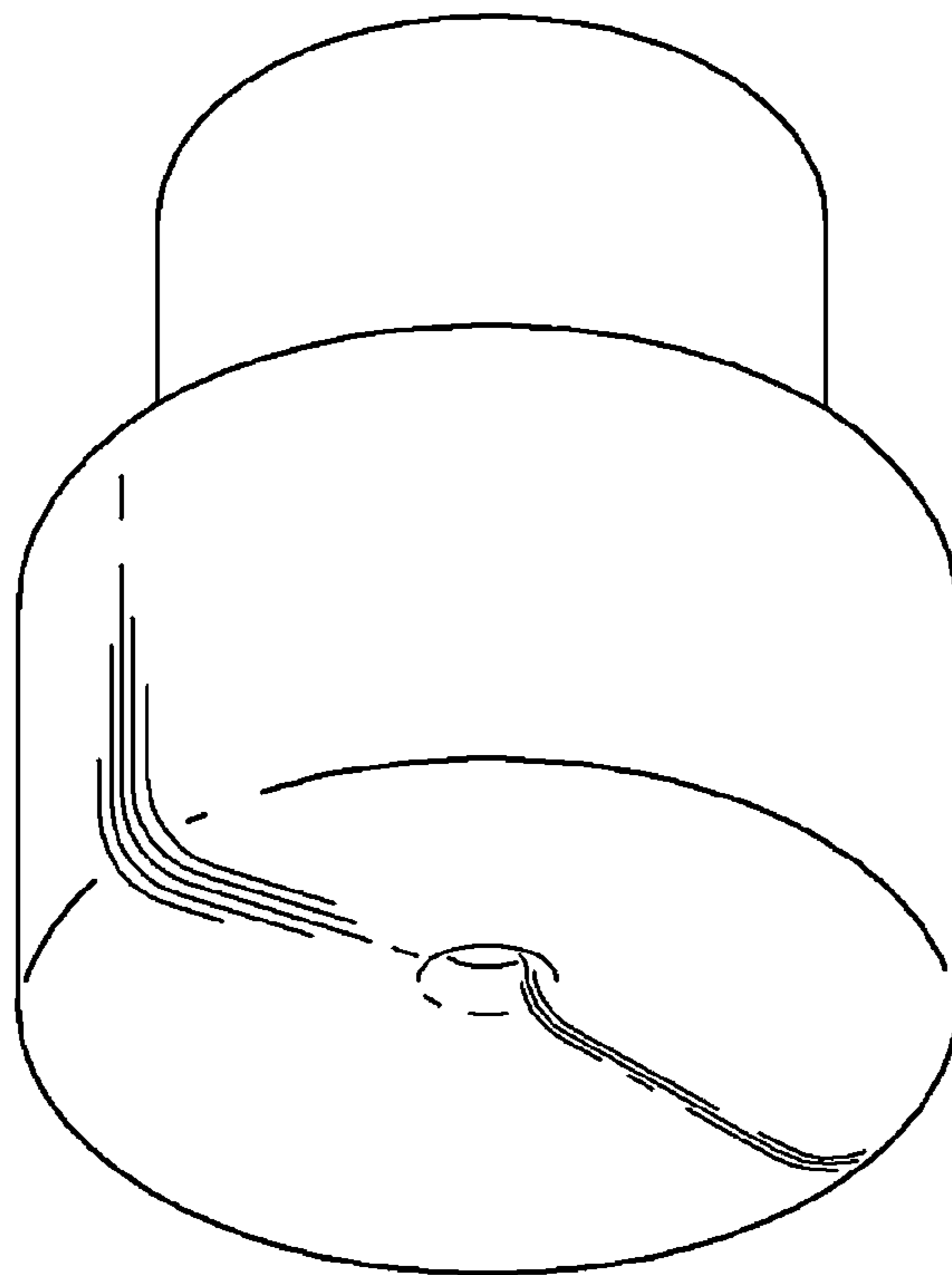


FIG. 5

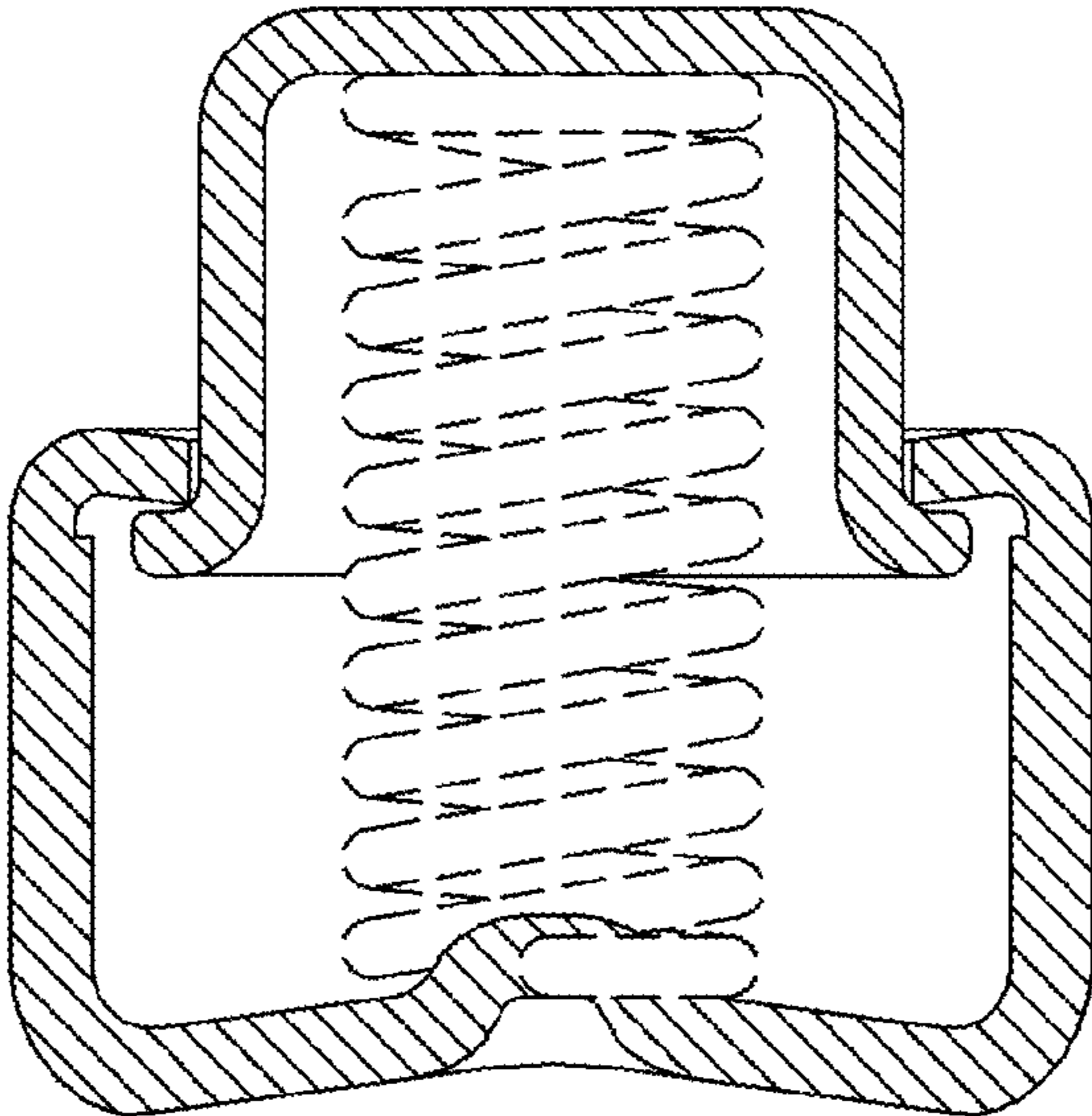


FIG. 6

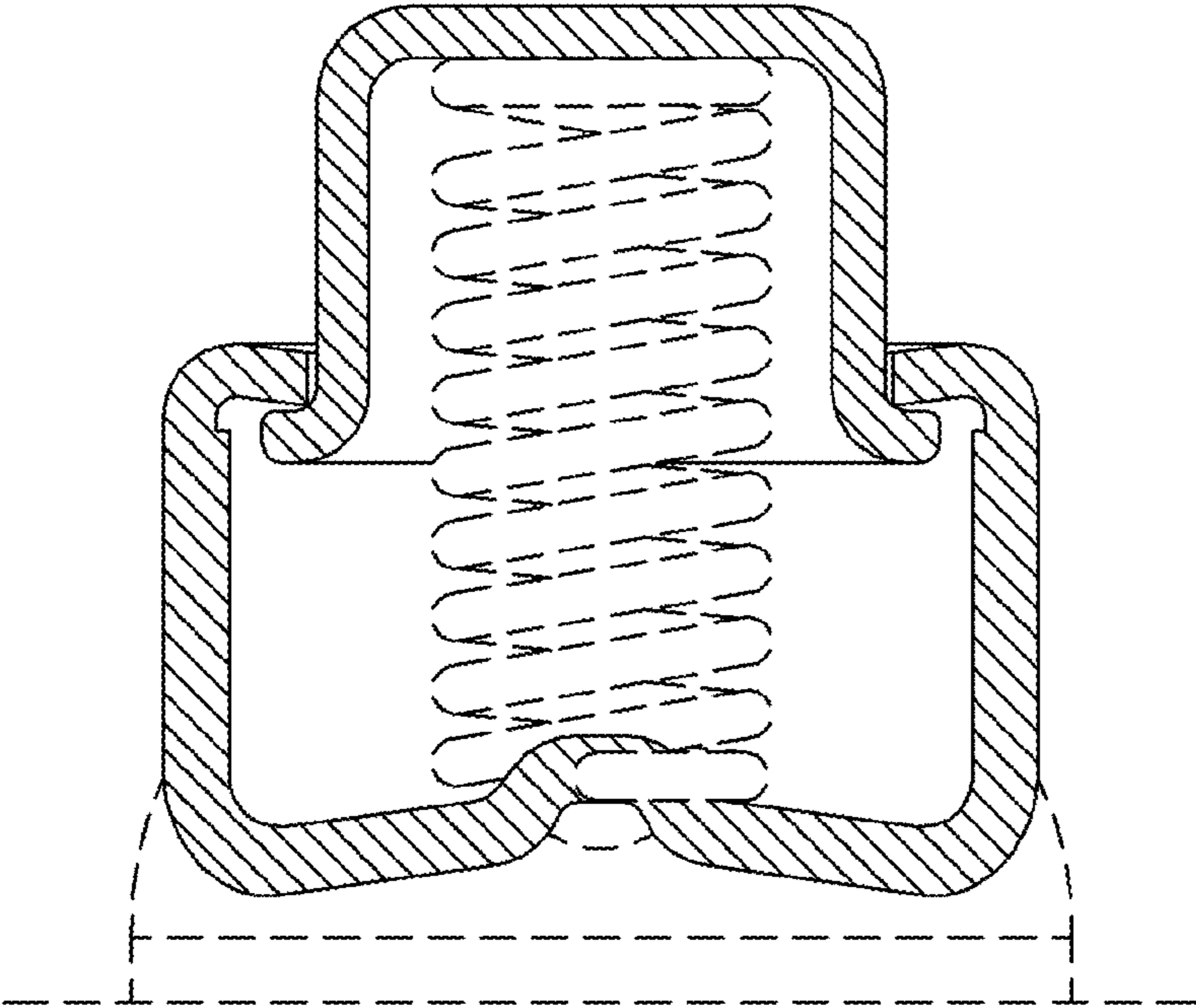


FIG. 7

