



US00D744431S

(12) **United States Design Patent**  
**Hagarty**

(10) **Patent No.:** **US D744,431 S**

(45) **Date of Patent:** **\*\* Dec. 1, 2015**

(54) **POLYMERIC JUNCTION BOX**

(71) Applicant: **RANDL Industries, Inc.**, Spokane Valley, WA (US)

(72) Inventor: **Robert J. Hagarty**, Spokane, WA (US)

(73) Assignee: **RANDL Industries, Inc.**, Spokane Valley, WA (US)

(\*\*) Term: **14 Years**

(21) Appl. No.: **29/512,092**

(22) Filed: **Dec. 16, 2014**

(51) **LOC (10) Cl.** ..... **13-03**

(52) **U.S. Cl.**  
USPC ..... **D13/152**

(58) **Field of Classification Search**  
USPC ..... D13/152, 153, 155, 156, 137.1, 137.4,  
D13/139.3, 139.2, 133, 184; 220/3.2, 3.3,  
220/3.4-3.9, 3.92, 3.94  
CPC ..... H02G 3/123; H02G 3/085; H02G 3/185;  
H02G 3/121; H02G 3/14  
See application file for complete search history.

(56) **References Cited**

**U.S. PATENT DOCUMENTS**

3,023,920	A *	3/1962	Cook et al. ....	220/3.6
D468,697	S *	1/2003	Straub, Jr. ....	D13/152
D539,751	S *	4/2007	Kiely ....	D13/152
D595,659	S *	7/2009	Maurer et al. ....	D13/152
D601,096	S *	9/2009	Vigorito et al. ....	D13/152
D676,814	S *	2/2013	Paul ....	D13/152
D677,634	S *	3/2013	Korcz et al. ....	D13/152
D679,252	S *	4/2013	Wagner et al. ....	D13/152
D684,935	S *	6/2013	DeCosta ....	D13/152
D702,198	S *	4/2014	Gretz ....	D13/184
D722,977	S	2/2015	Hagarty	
D722,978	S	2/2015	Hagarty	
D723,473	S	3/2015	Hagarty	

**OTHER PUBLICATIONS**

Hagarty, R.J., "Junction Box With Cable Keepers", U.S. Appl. No. 29/504,195, filed Oct. 2, 2014.

Hagarty, R.J., "Junction Box With Cable Keepers", U.S. Appl. No. 29/514,286, filed Jan. 9, 2015.

Hagarty, R.J., "Junction Box with Cable Management", U.S. Appl. No. 29/514,291, filed Jan. 9, 2015.

Hagarty, R.J., "Junction Box With Cable Management", U.S. Appl. No. 29/514,292, filed Jan. 9, 2015.

\* cited by examiner

*Primary Examiner* — Brandon M Rosati

*Assistant Examiner* — Rhea Shields

(74) *Attorney, Agent, or Firm* — Christensen O'Connor Johnson Kindness PLLC

(57) **CLAIM**

The ornamental design for a polymeric junction box, as shown and described.

**DESCRIPTION**

FIG. 1 is a perspective view of a first embodiment of a polymeric junction box in accordance with the present design.

FIG. 2 is a front view thereof;

FIG. 3 is a rear view thereof;

FIG. 4 is a top plan view thereof;

FIG. 5 is a bottom plan view thereof;

FIG. 6 is a left side view thereof;

FIG. 7 is a right side view thereof;

FIG. 8 is a perspective view of a second embodiment of a polymeric junction box in accordance with the present design.

FIG. 9 is a front view thereof;

FIG. 10 is a rear view thereof;

FIG. 11 is a top plan view thereof;

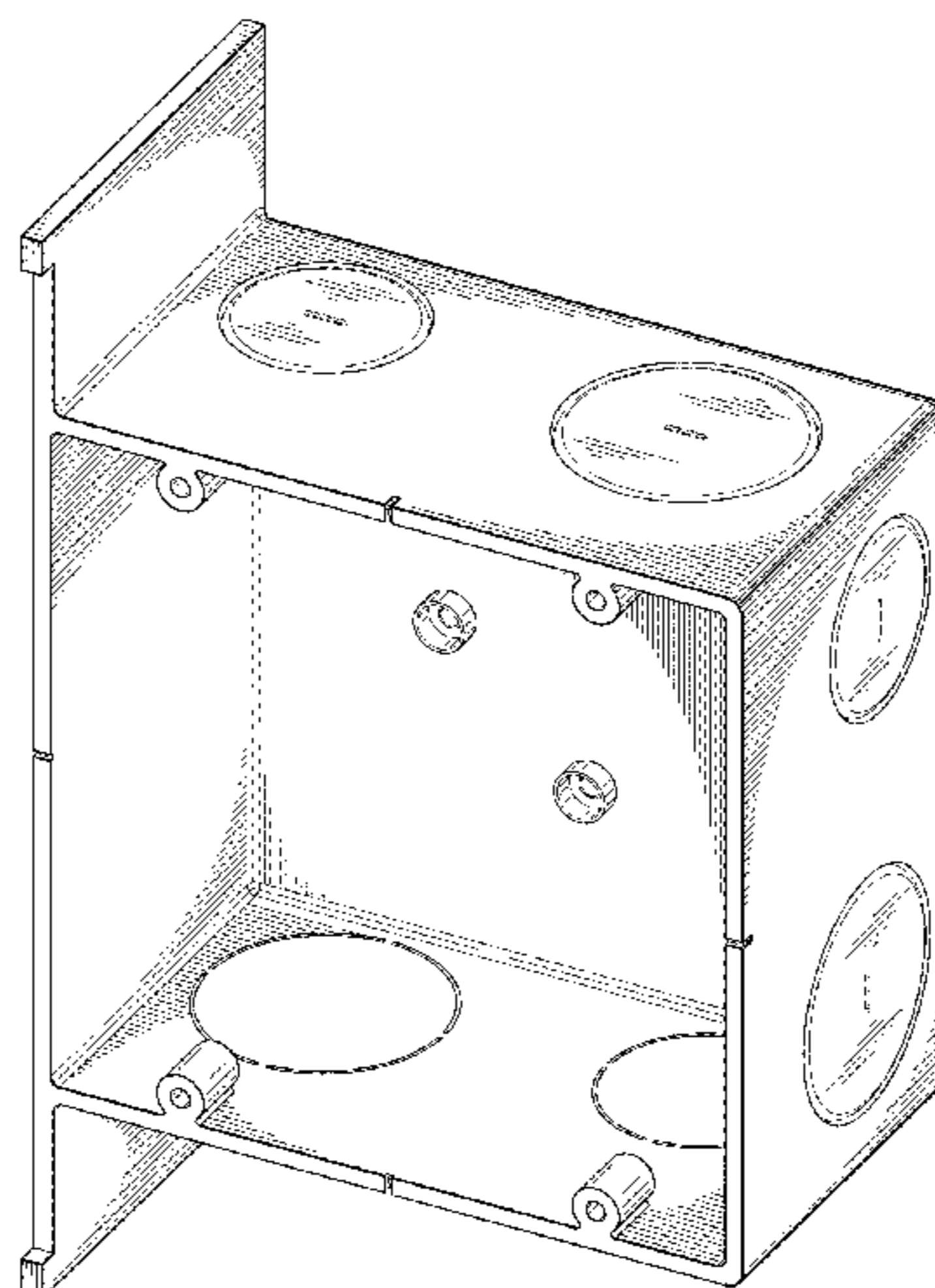
FIG. 12 is a bottom plan view thereof;

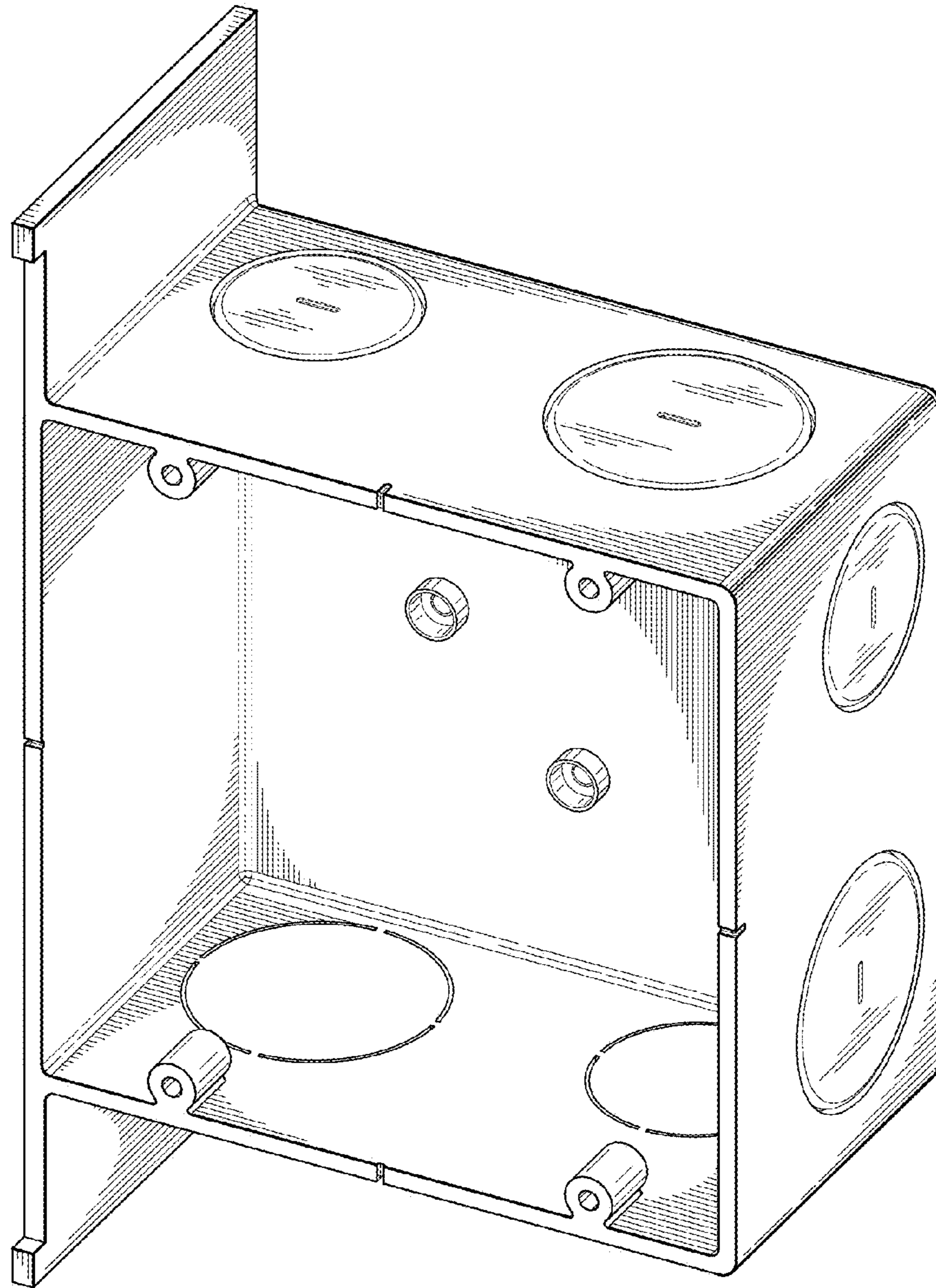
FIG. 13 is a left side view thereof; and,

FIG. 14 is a right side view thereof.

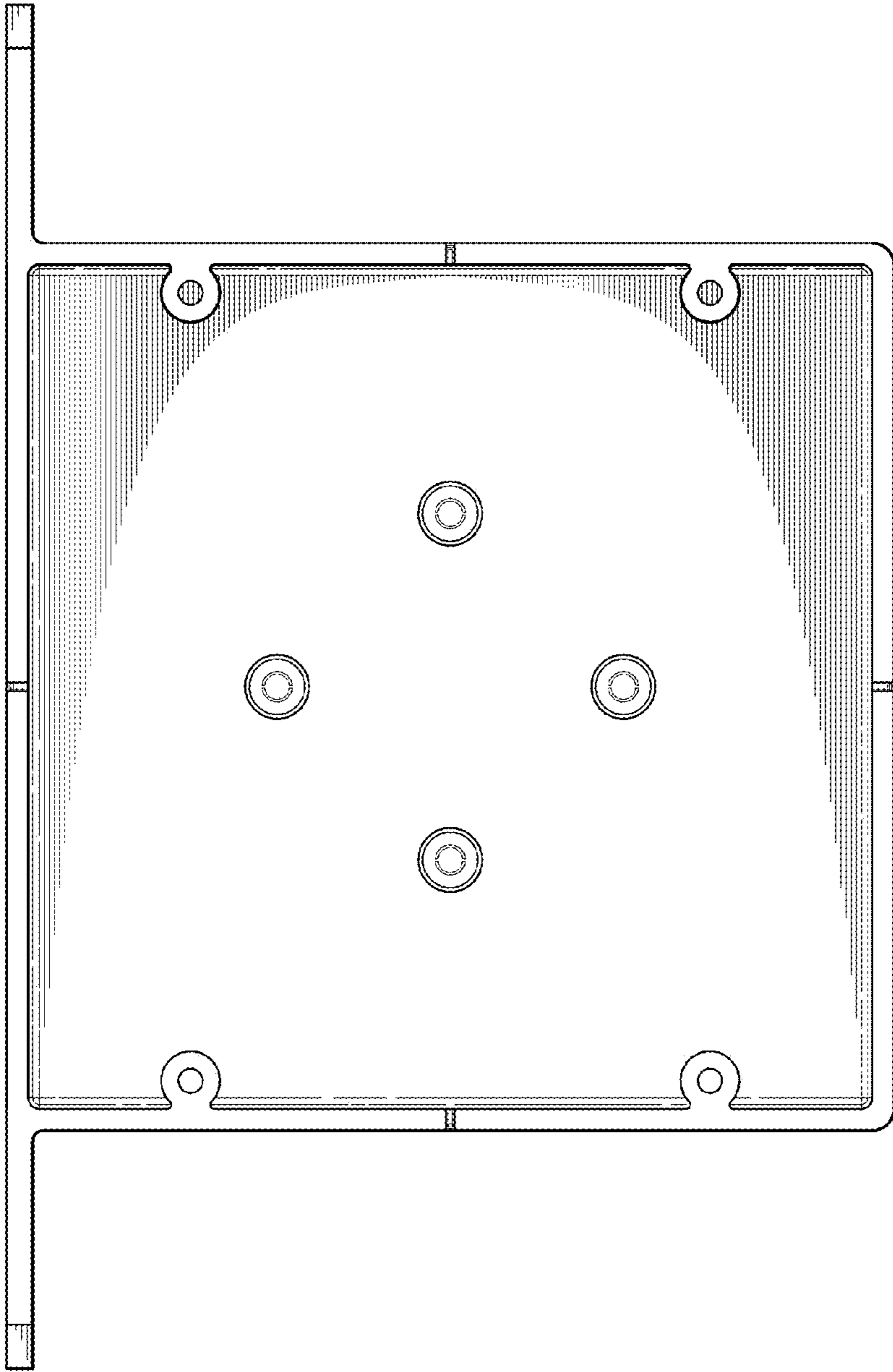
The broken line showing of knock-outs is for the purpose of illustrating portions of the polymeric junction box and forms no part of the claimed design.

**1 Claim, 12 Drawing Sheets**

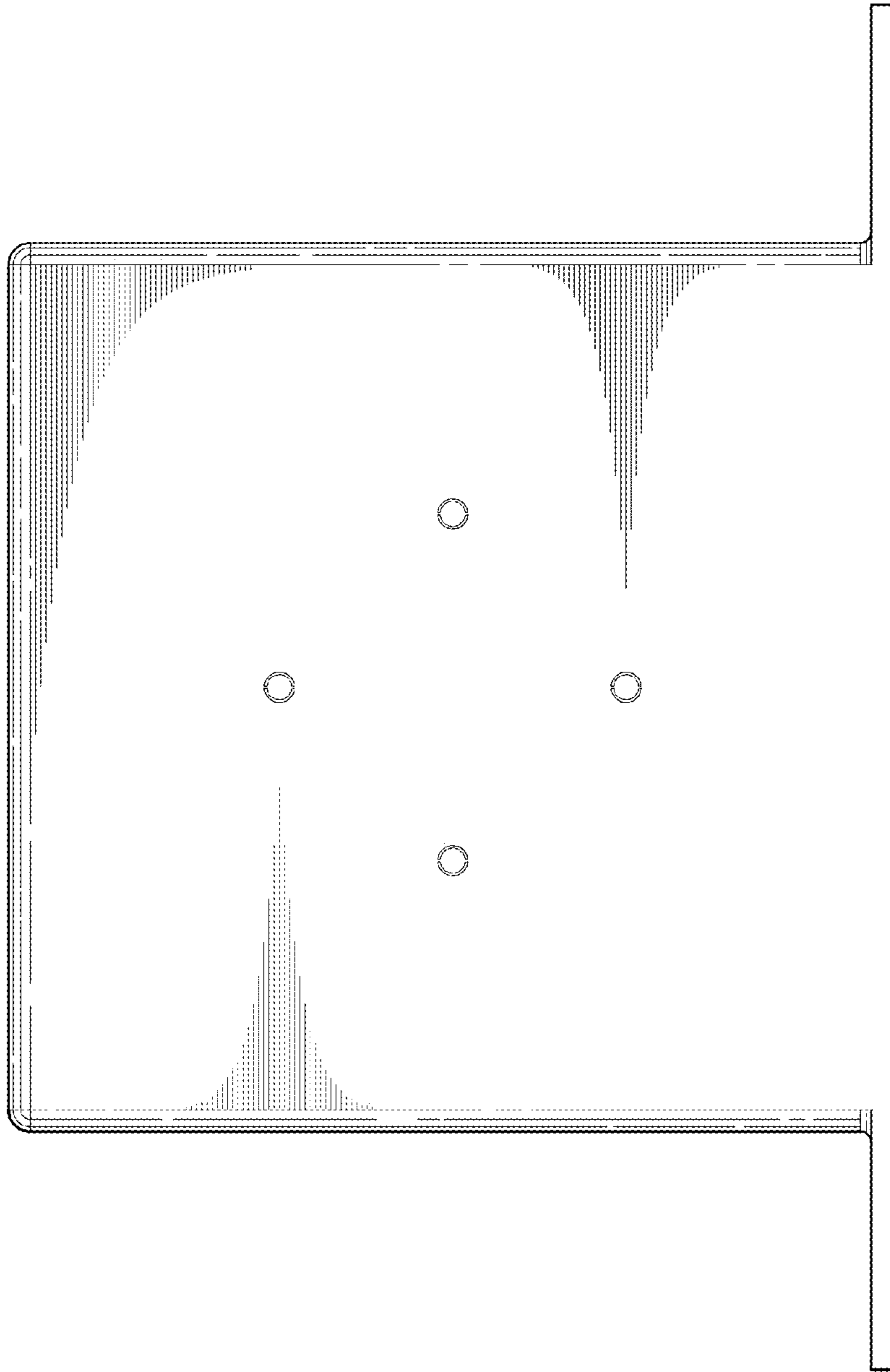




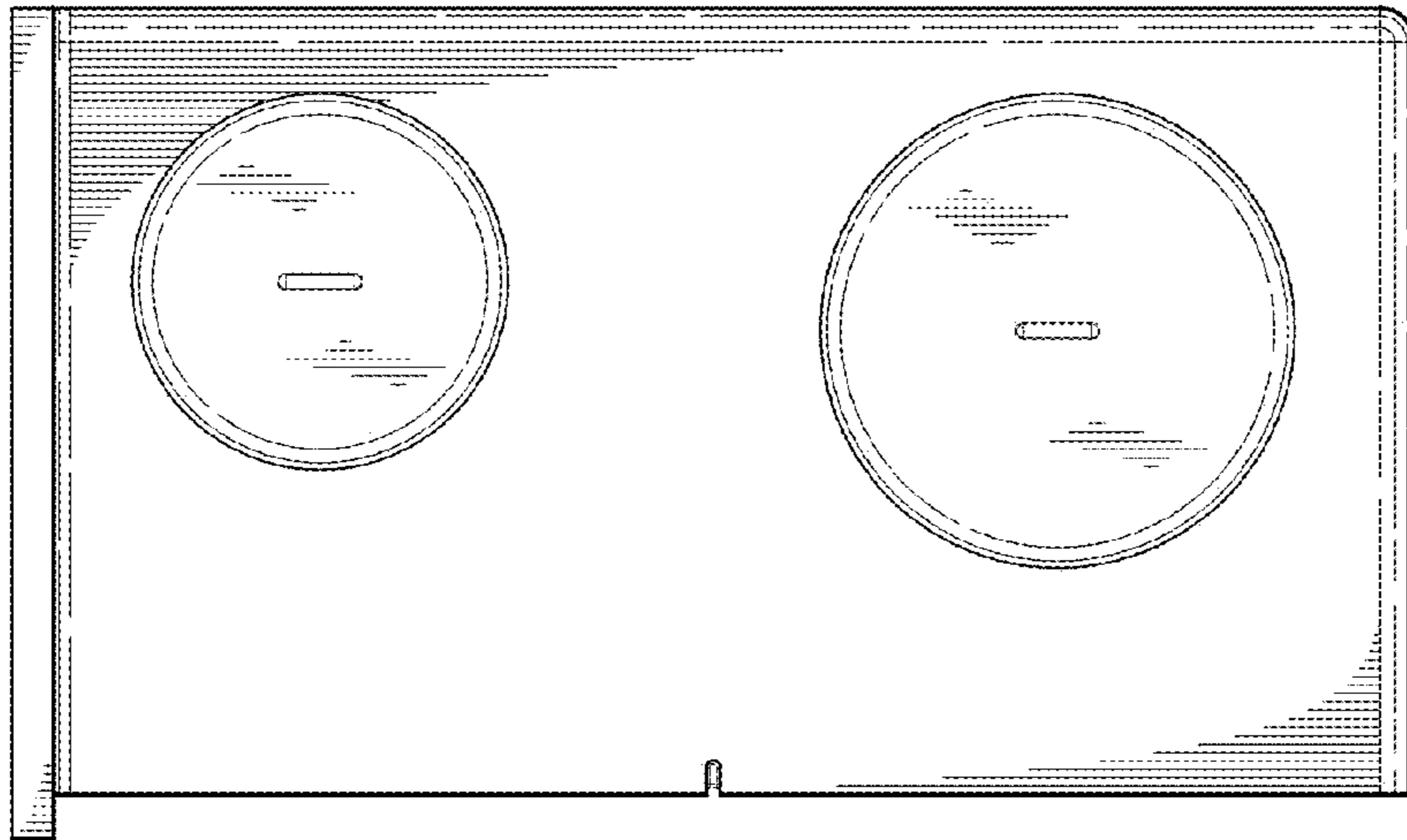
*Fig. 1.*



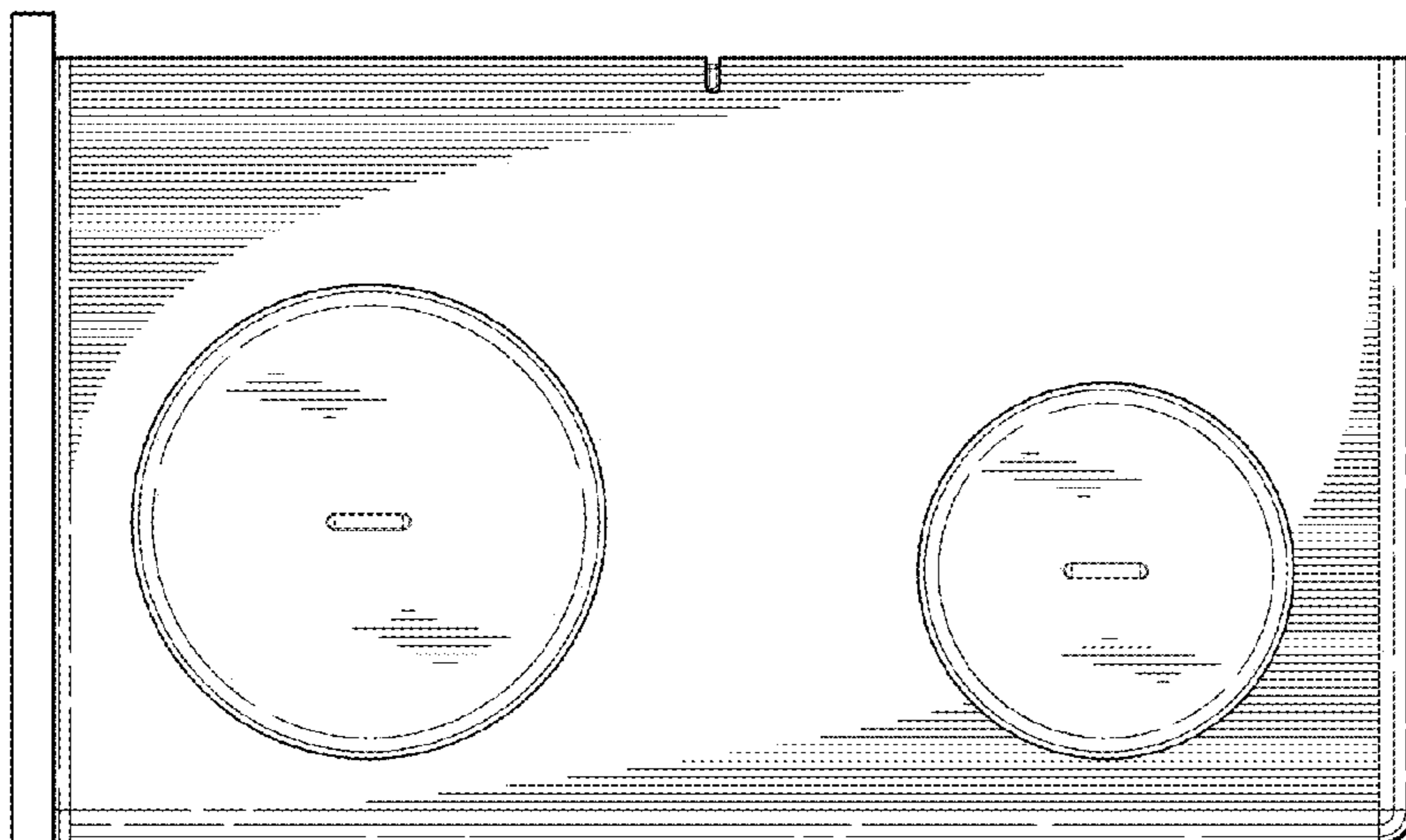
*Fig. 2.*



*Fig. 3.*



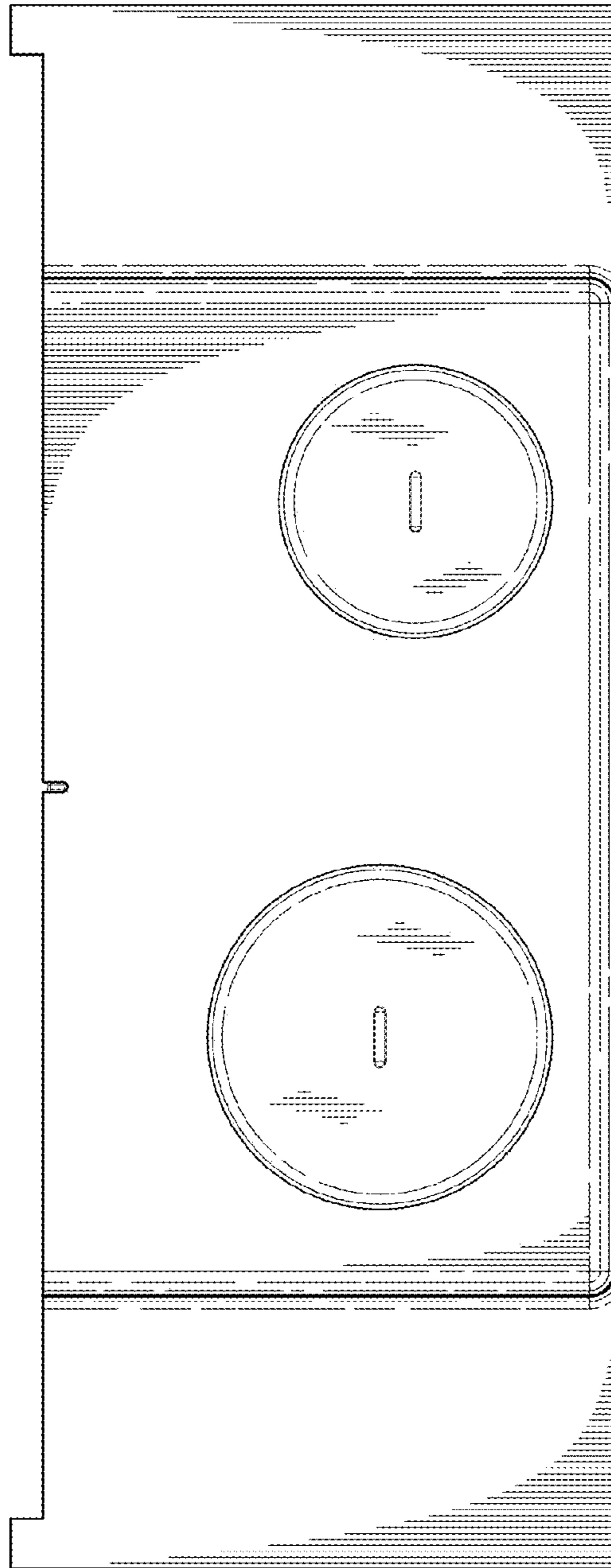
*Fig. 4.*



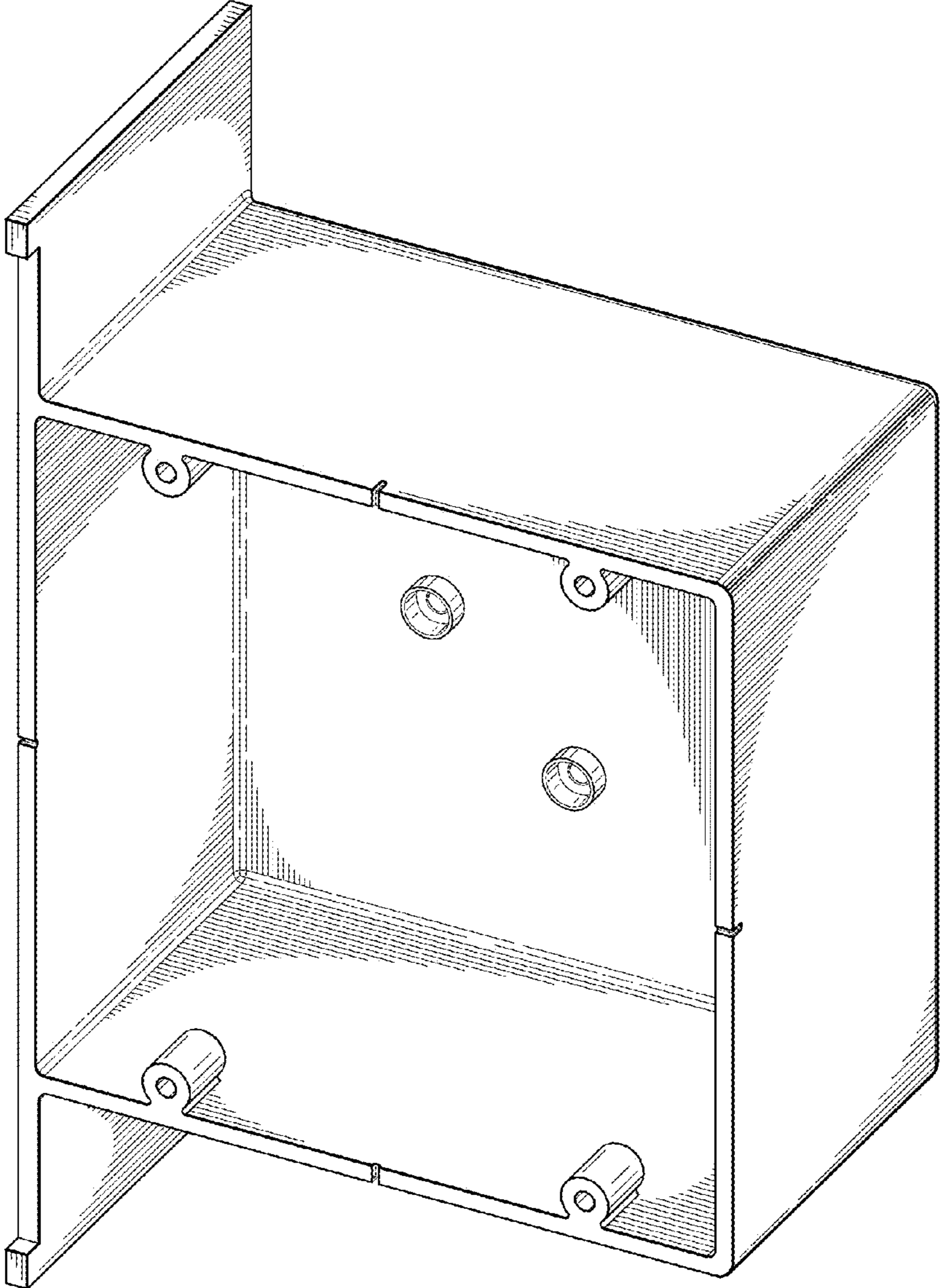
*Fig. 5.*



*Fig. 6.*

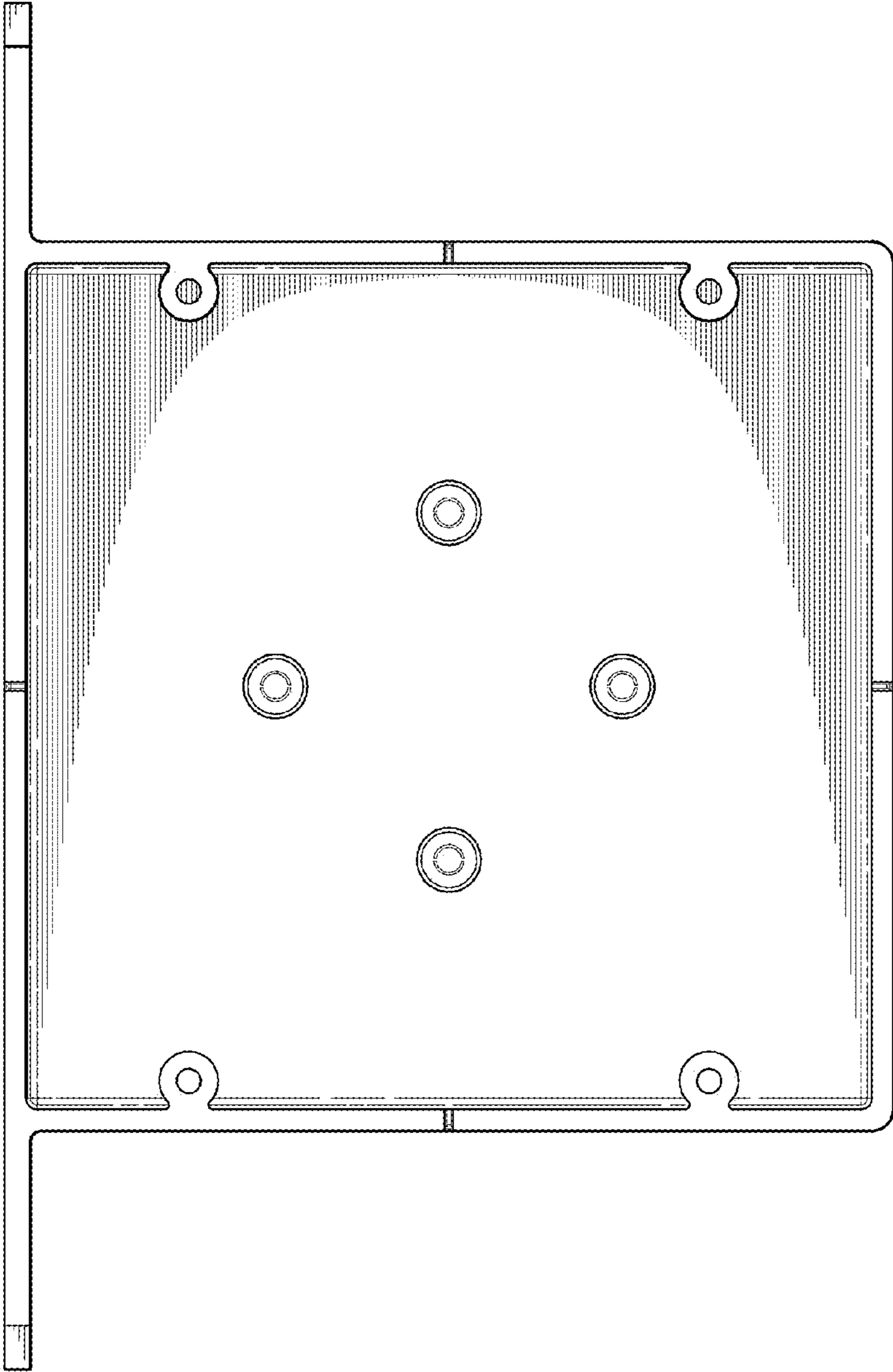


*Fig. 7.*

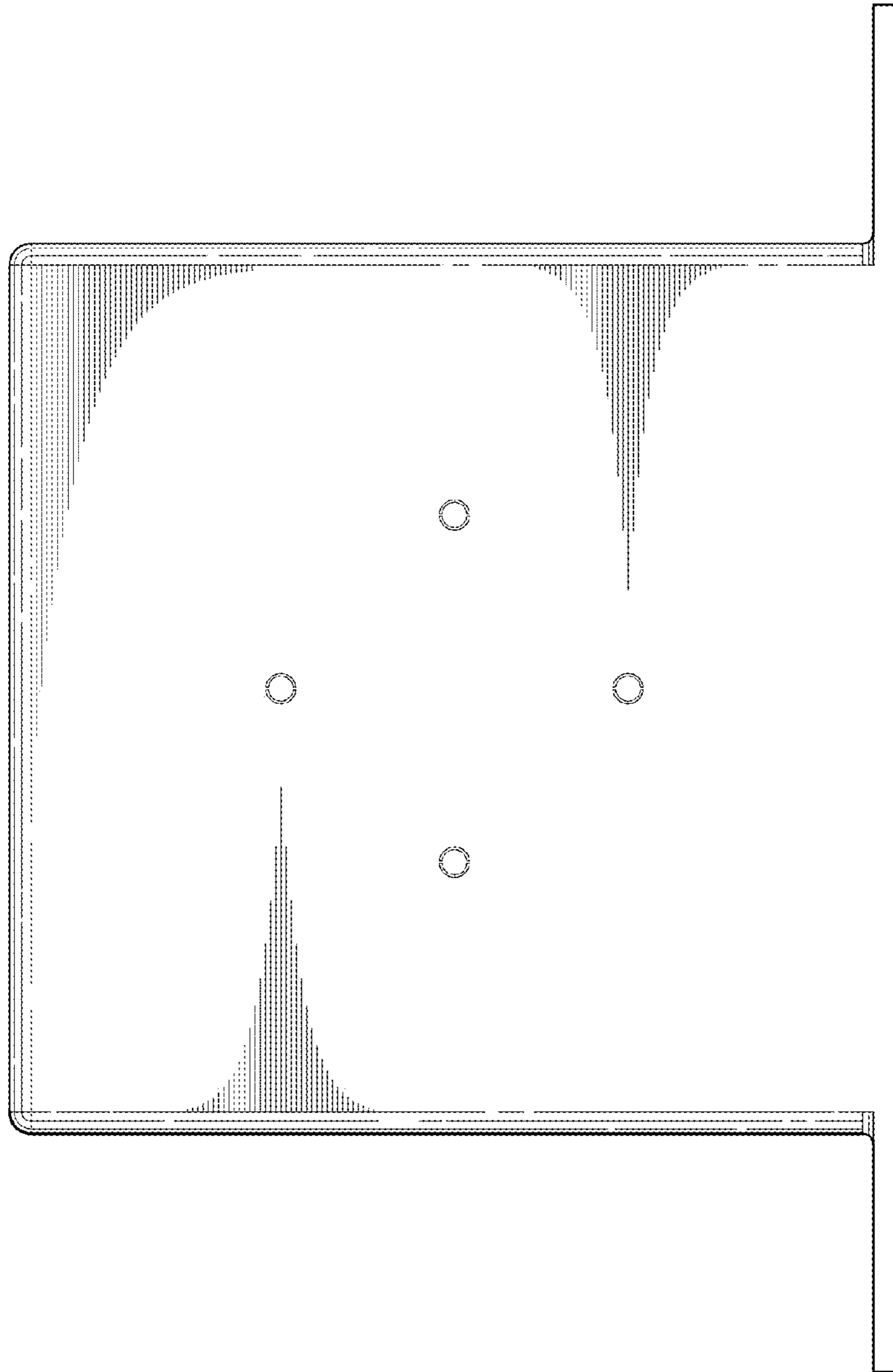


*Fig. 8.*

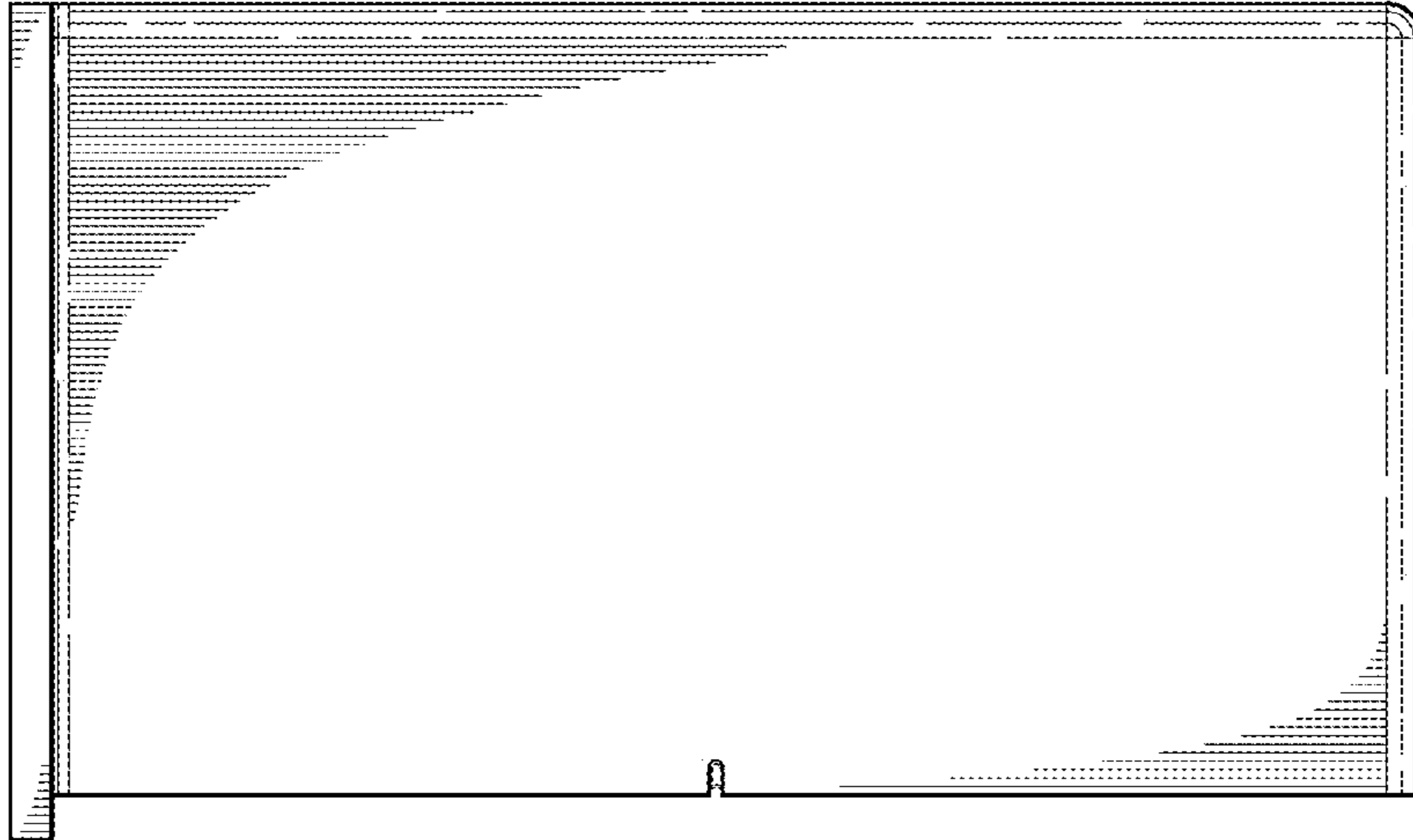




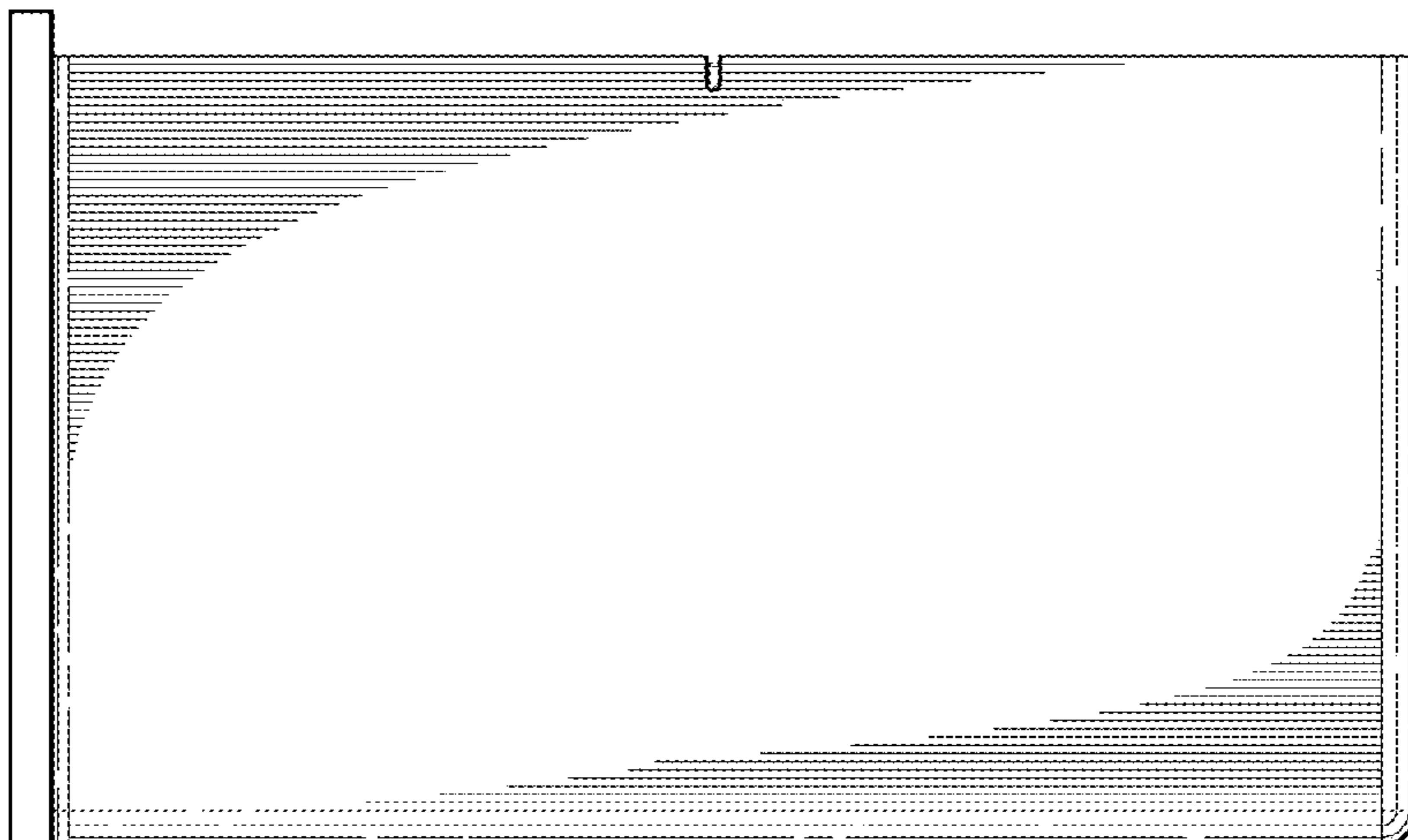
*Fig. 9.*



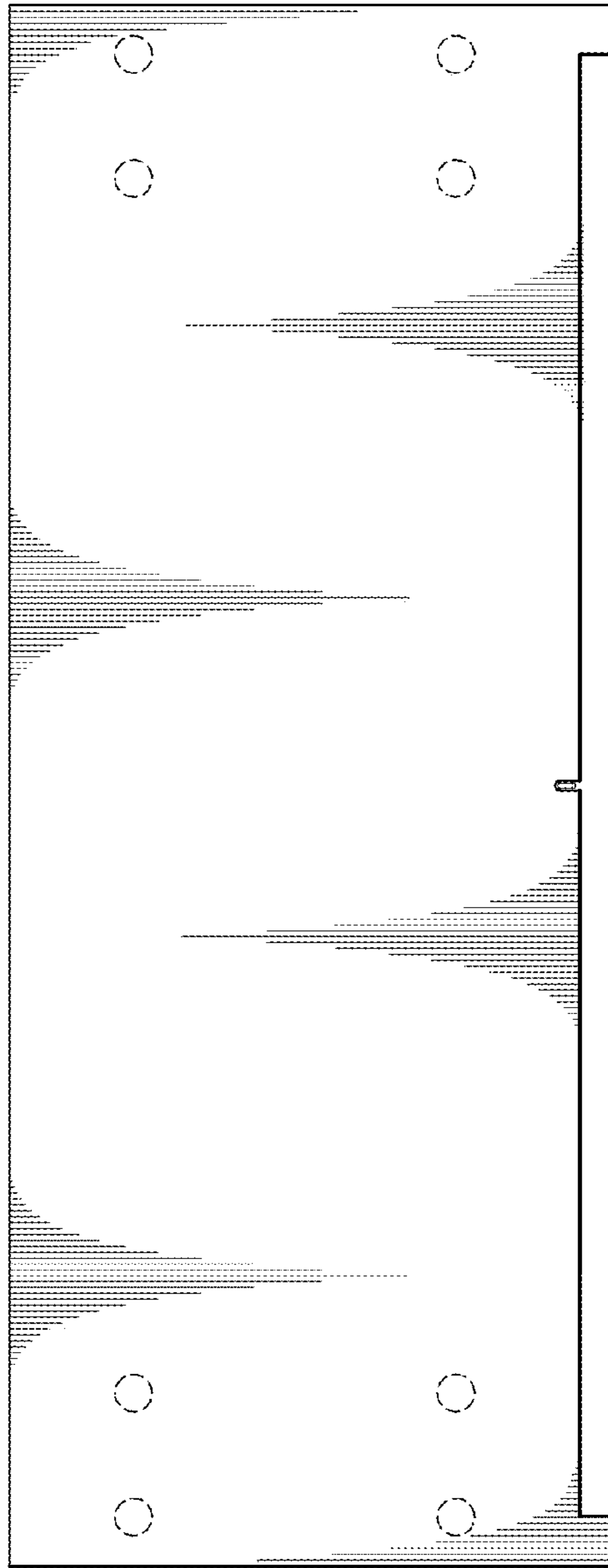
*Fig. 10.*



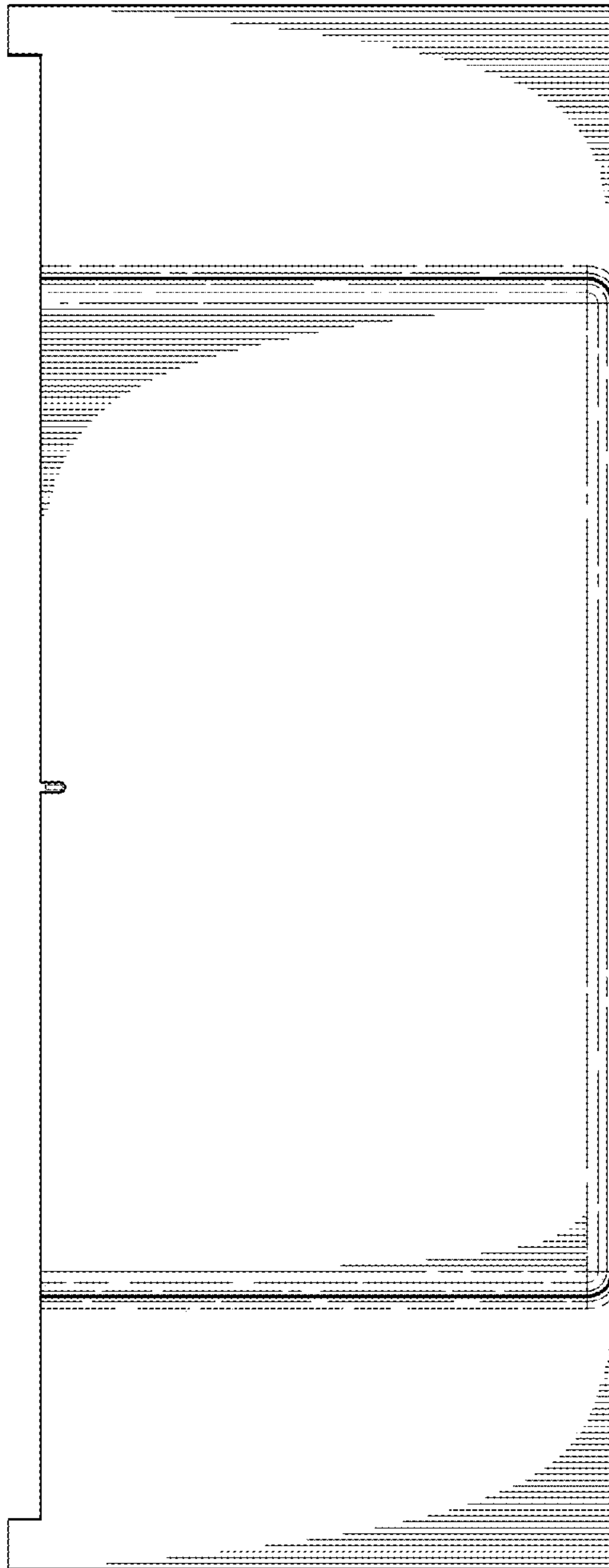
*Fig. 11.*



*Fig. 12*



*Fig. 13.*



*Fig. 14.*