



US00D744430S

(12) **United States Design Patent**  
**Yokoyama et al.**

(10) **Patent No.:** **US D744,430 S**  
(45) **Date of Patent:** **\*\* Dec. 1, 2015**

(54) **ELECTRICAL CONNECTOR**

(71) Applicant: **Japan Aviation Electronics Industry, Limited**, Tokyo (JP)

(72) Inventors: **Yohei Yokoyama**, Tokyo (JP); **Masaaki Takaku**, Tokyo (JP); **Tatsuya Shioda**, Tokyo (JP); **Kouhei Ueda**, Tokyo (JP)

(73) Assignee: **JAPAN AVIATION ELECTRONICS INDUSTRY, LIMITED**, Tokyo (JP)

(\*\*) Term: **14 Years**

(21) Appl. No.: **29/511,810**

(22) Filed: **Dec. 15, 2014**

(30) **Foreign Application Priority Data**

Jul. 4, 2014 (JP) ..... 2014-014707

(51) **LOC (10) Cl.** ..... **13-03**

(52) **U.S. Cl.**  
USPC ..... **D13/147**

(58) **Field of Classification Search**  
USPC ..... D13/147, 154, 184, 199  
See application file for complete search history.

(56) **References Cited**

**U.S. PATENT DOCUMENTS**

D459,309 S \* 6/2002 Tanaka ..... D13/147  
D503,150 S \* 3/2005 Yamawaki et al. .... D13/147

D531,577 S \* 11/2006 Su ..... D13/147  
D599,297 S \* 9/2009 Chen ..... D13/147  
D605,602 S \* 12/2009 Mase ..... D13/154

\* cited by examiner

*Primary Examiner* — Daniel Bui

(74) *Attorney, Agent, or Firm* — Manabu Kanetsaka

(57) **CLAIM**

The ornamental design for an electrical connector, as shown and described.

**DESCRIPTION**

FIG. 1 is a front elevation view of an electrical connector showing our new design;

FIG. 2 is a rear elevation view thereof;

FIG. 3 is a right side elevation view thereof;

FIG. 4 is a left side elevation view thereof;

FIG. 5 is a top plan view thereof;

FIG. 6 is a bottom plan view thereof;

FIG. 7 is a perspective view showing a front, top and right side thereof;

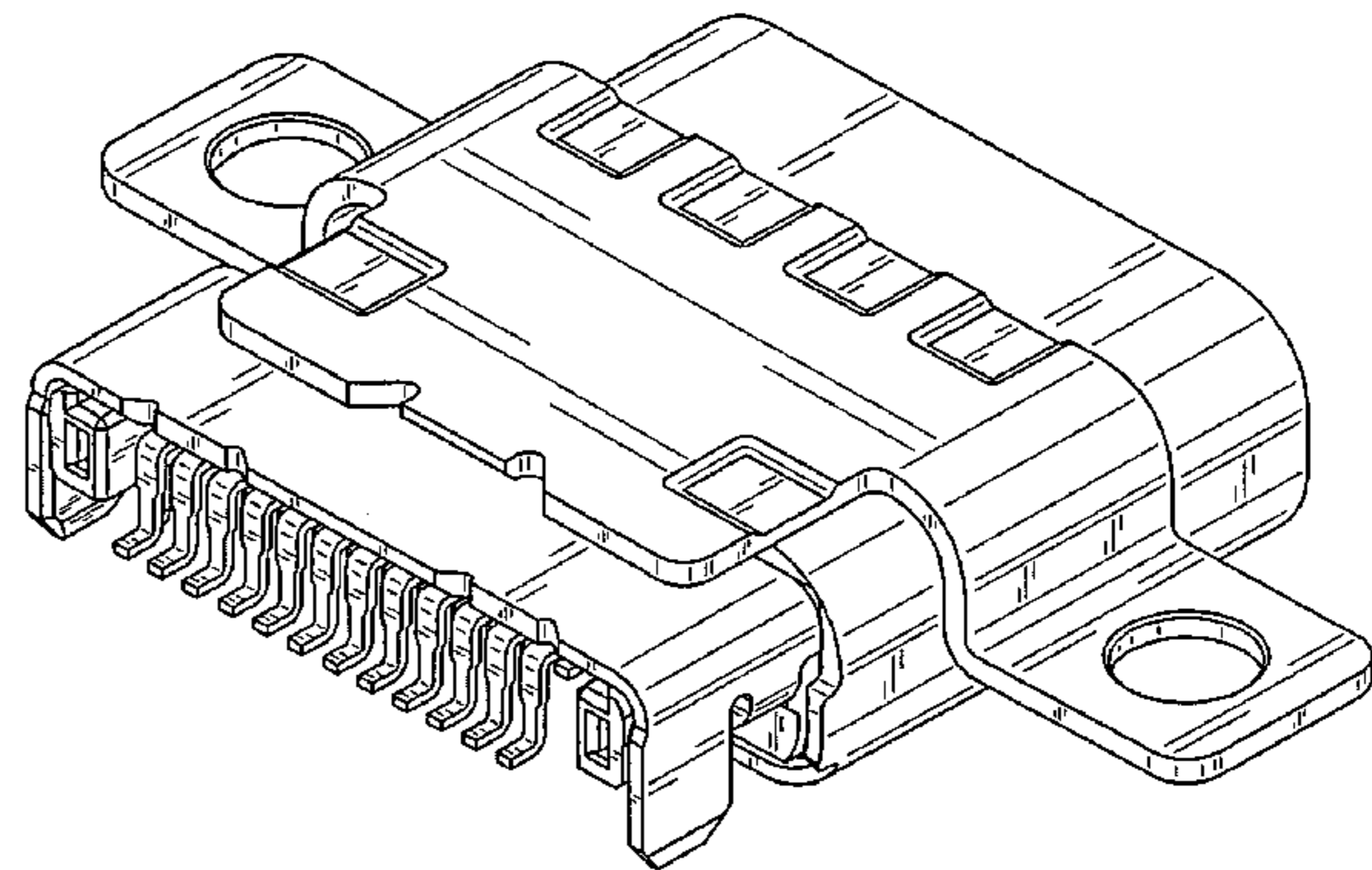
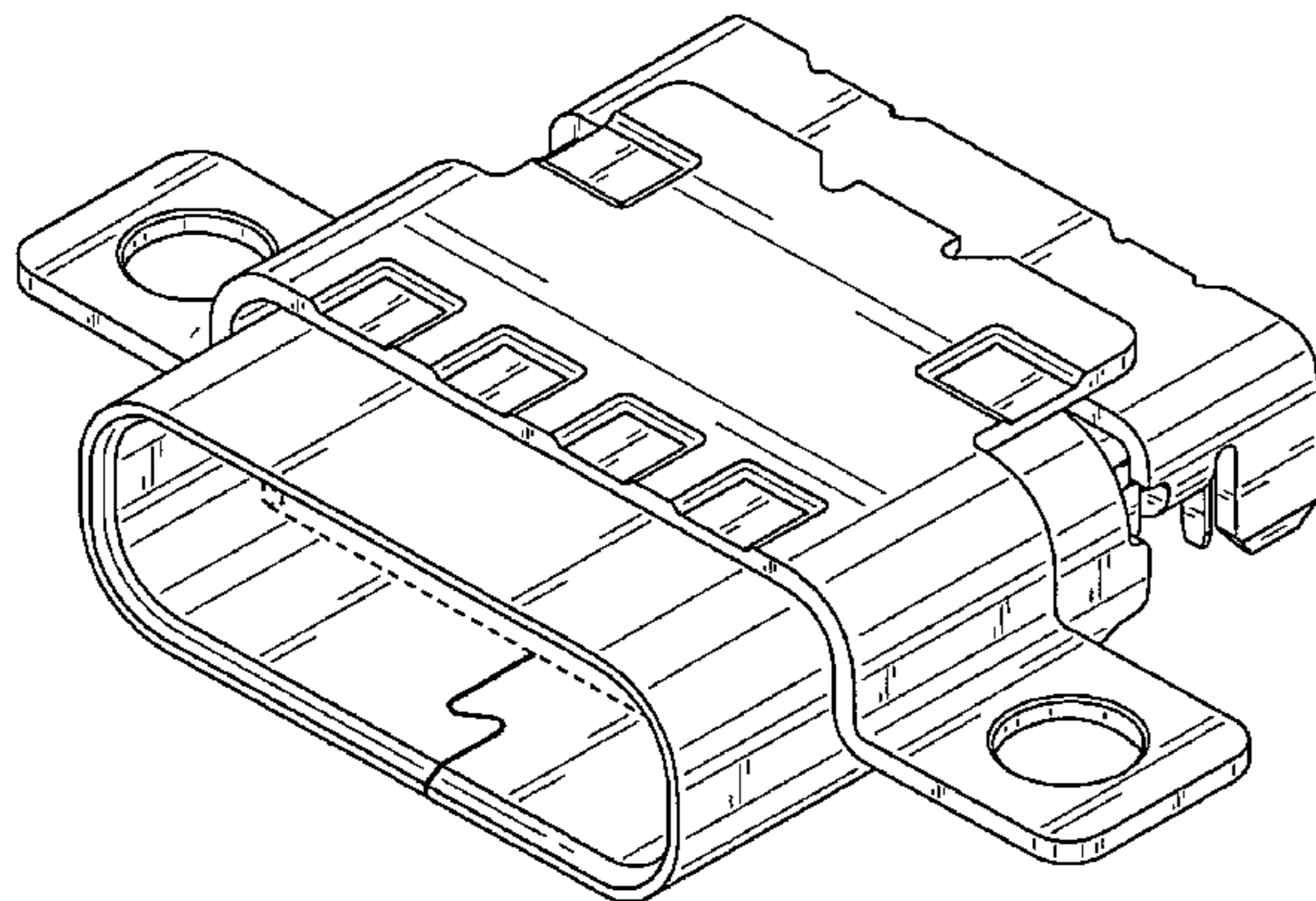
FIG. 8 is a perspective view showing a rear, bottom and left side thereof;

FIG. 9 is a perspective view showing a front, right side and bottom thereof; and,

FIG. 10 is a perspective view showing a rear, left side and top thereof.

The broken lines are shown for environmental purposes only and depict portions of the electrical connector that form no part of claimed design.

**1 Claim, 5 Drawing Sheets**



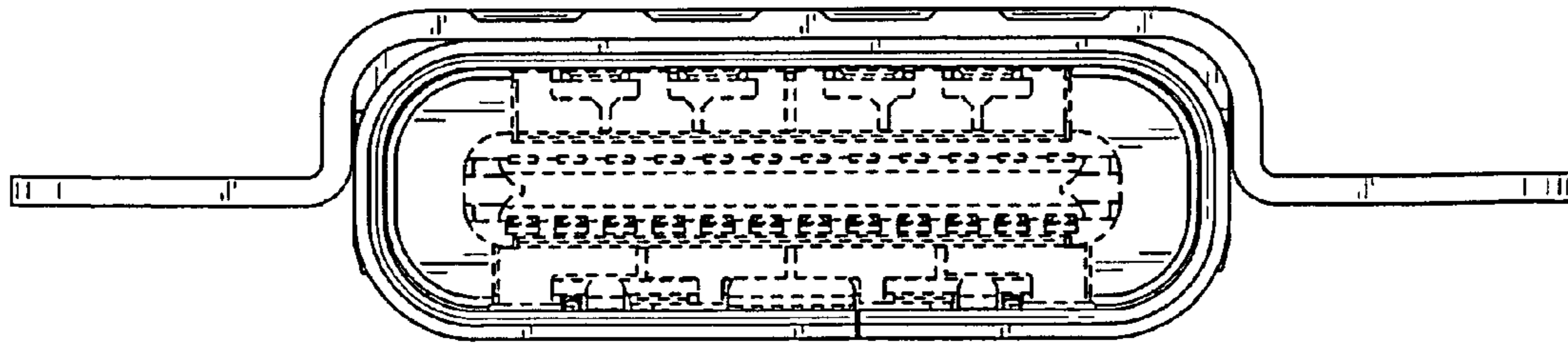


FIG. 1

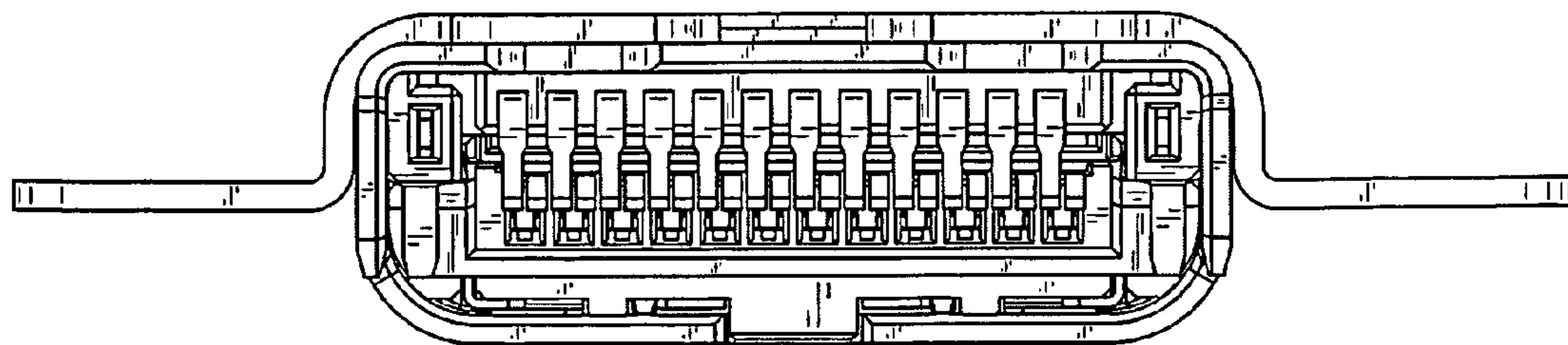


FIG. 2

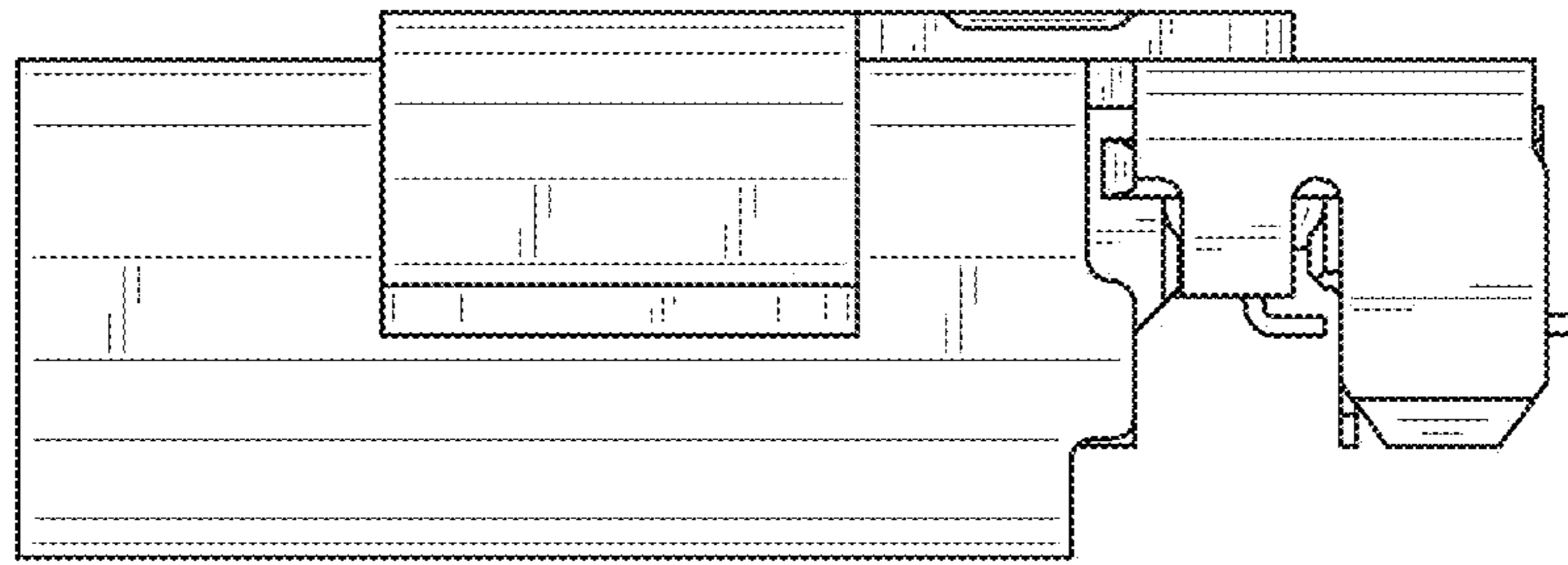


FIG. 3

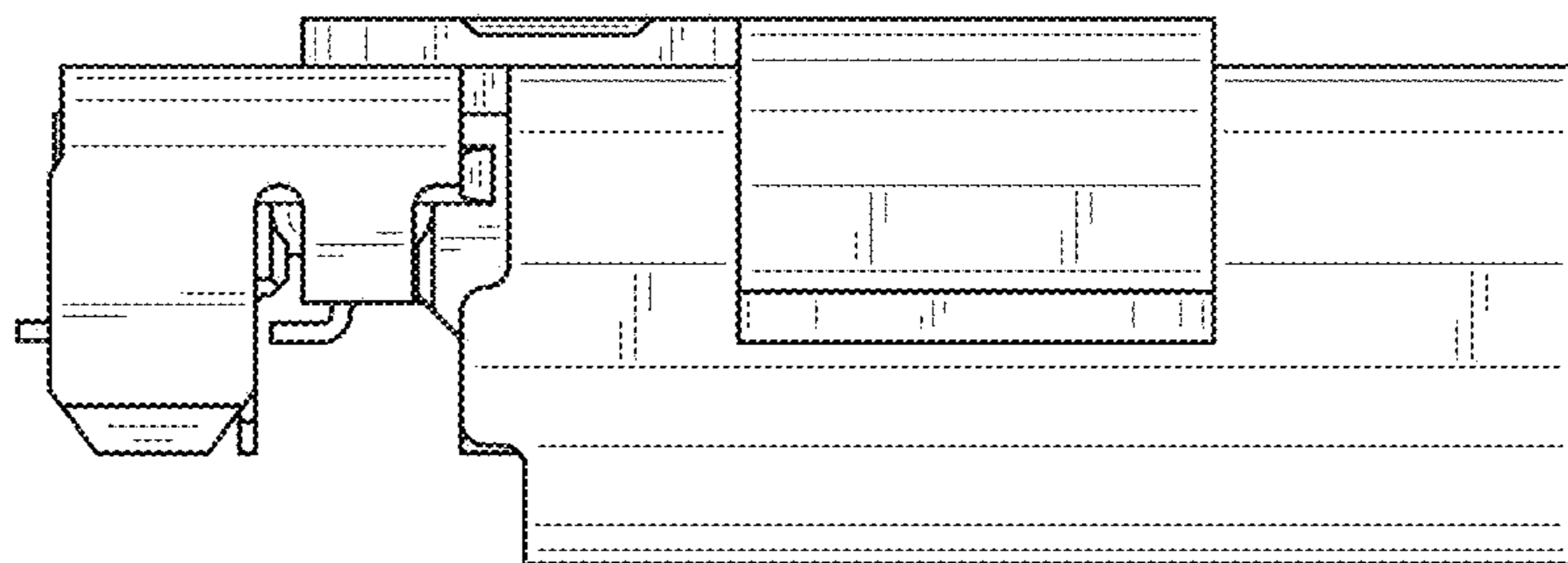


FIG. 4

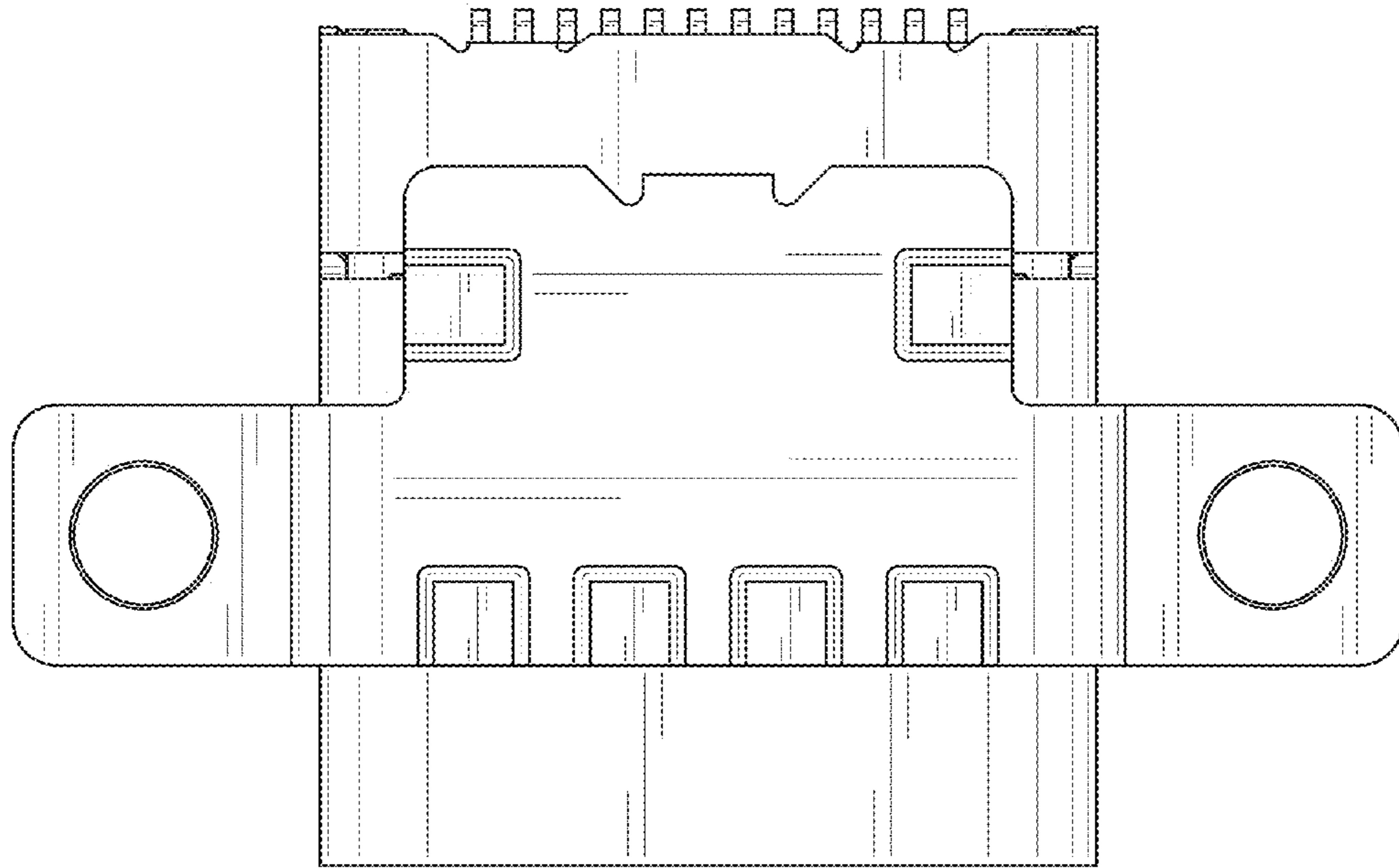


FIG. 5

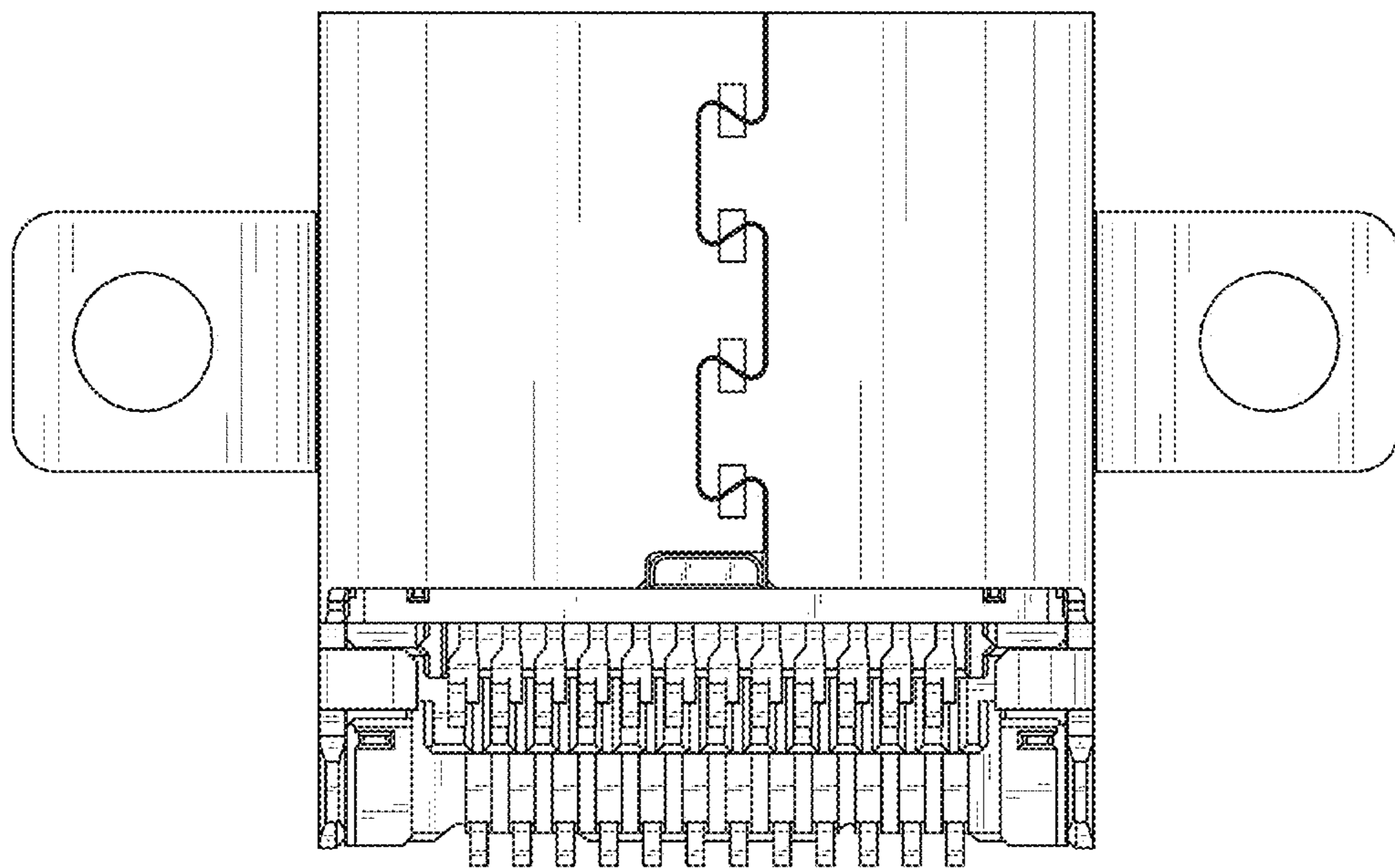


FIG. 6

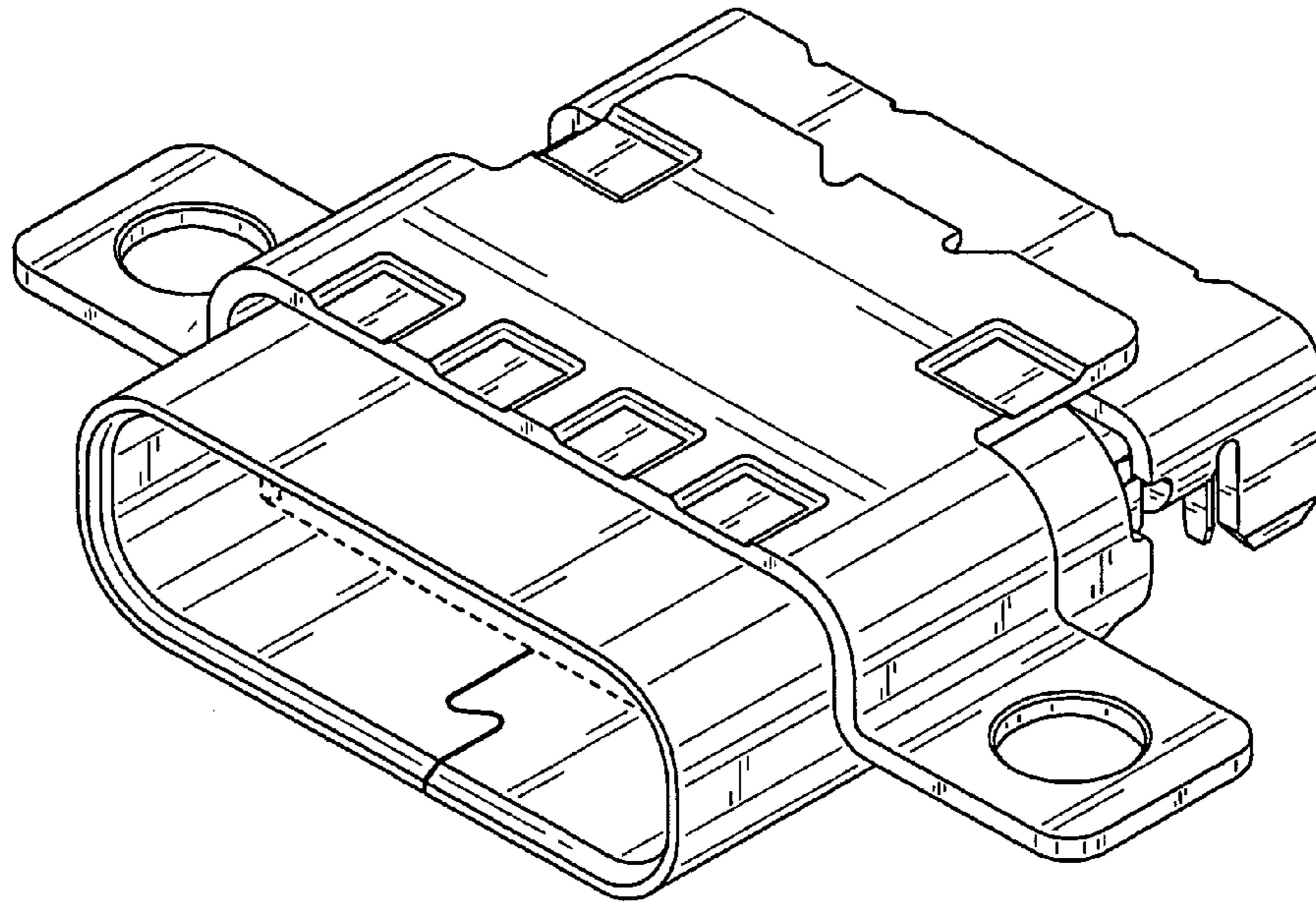


FIG. 7

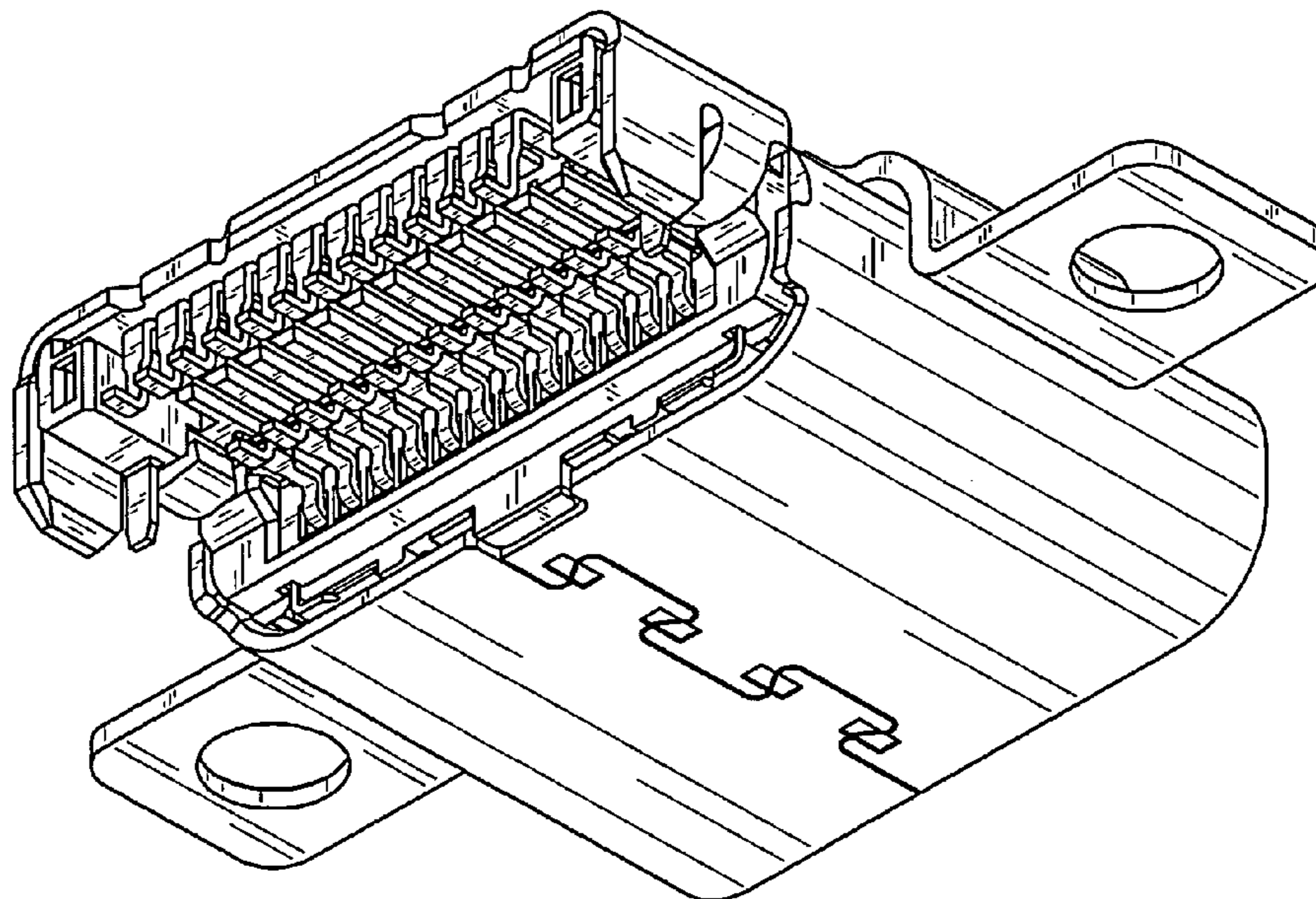


FIG. 8

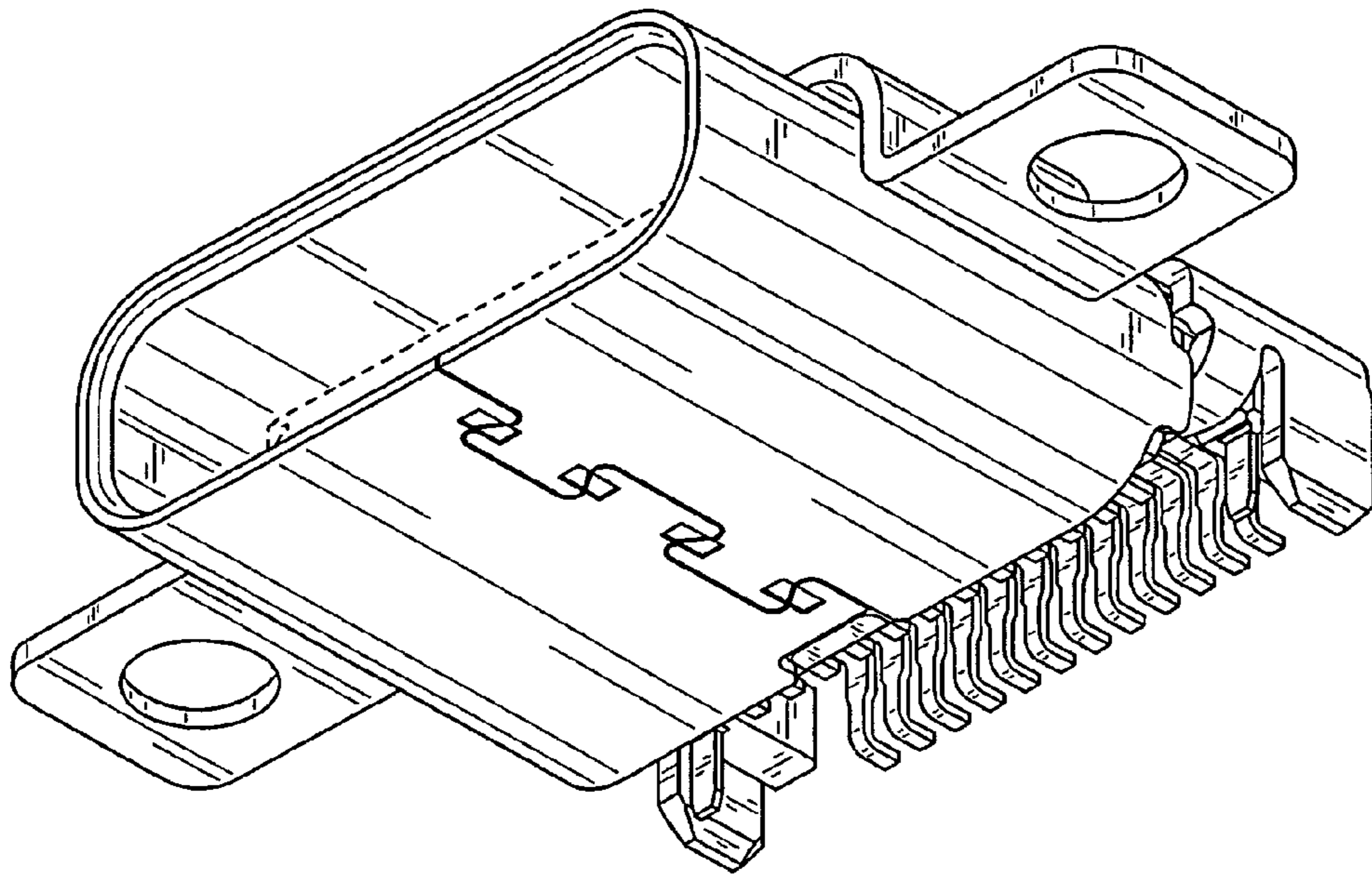


FIG. 9

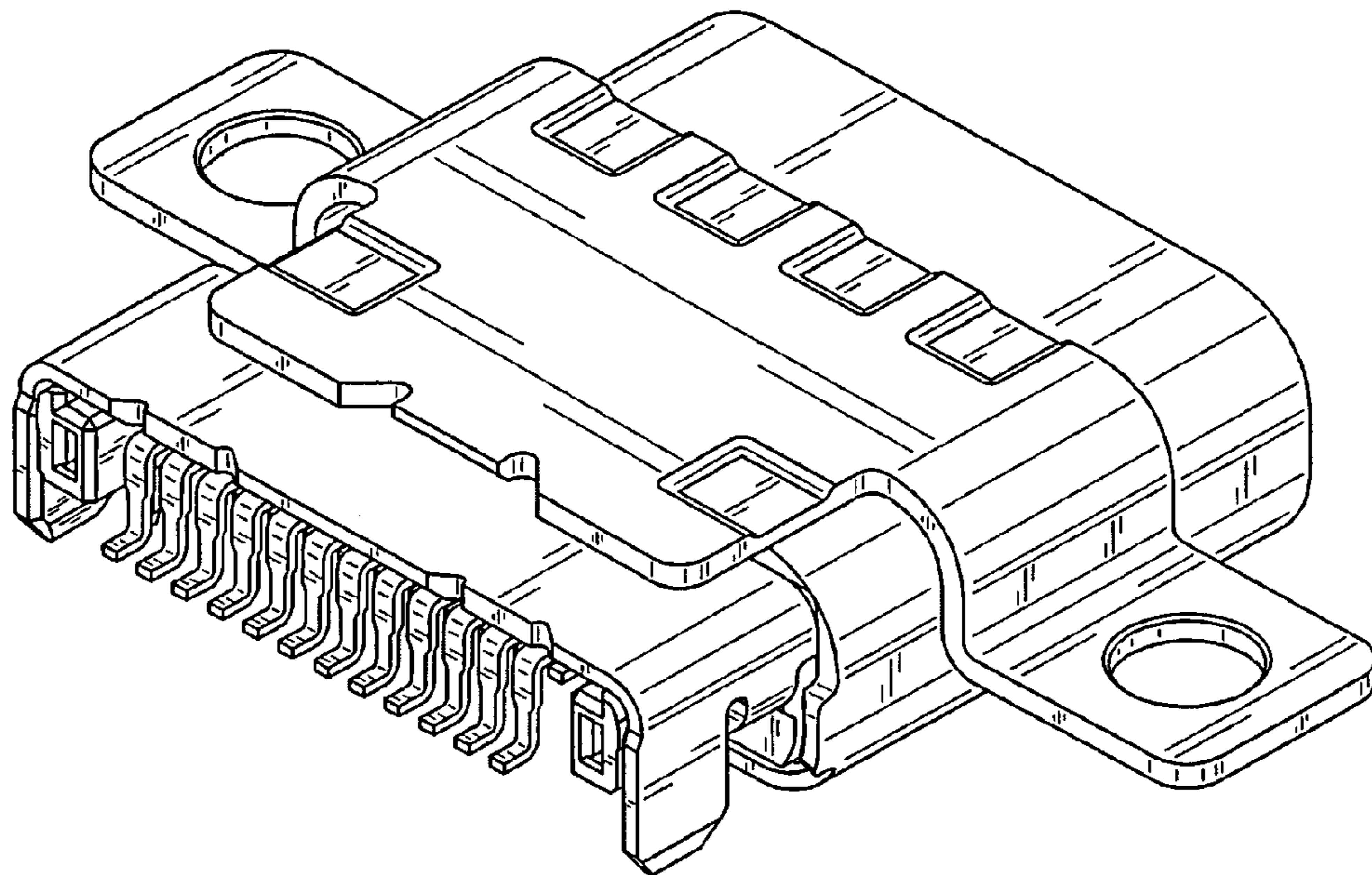


FIG. 10