



US00D744428S

(12) **United States Design Patent**
Rodriguez et al.

(10) **Patent No.:** **US D744,428 S**
(45) **Date of Patent:** **** Dec. 1, 2015**

(54) **POWER/DATA CONNECTOR**

DESCRIPTION

- (71) Applicant: **Google Inc.**, Mountain View, CA (US)
- (72) Inventors: **Adam Rodriguez**, San Francisco, CA (US); **Joshua Boilard**, San Francisco, CA (US); **Lawrence Lam**, San Jose, CA (US); **Jeffrey Hayashida**, San Francisco, CA (US)
- (73) Assignee: **Google Inc.**, Mountain View, CA (US)
- (**) Term: **14 Years**
- (21) Appl. No.: **29/479,977**
- (22) Filed: **Jan. 22, 2014**
- (51) **LOC (10) Cl.** **13-03**
- (52) **U.S. Cl.**
USPC **D13/147**
- (58) **Field of Classification Search**
USPC D13/147, 154, 184, 199
See application file for complete search history.

- (56) **References Cited**
U.S. PATENT DOCUMENTS
D515,035 S 2/2006 Li et al.
D516,030 S * 2/2006 Han et al. D13/147
(Continued)

FOREIGN PATENT DOCUMENTS
JP H23401831 2/2011

OTHER PUBLICATIONS

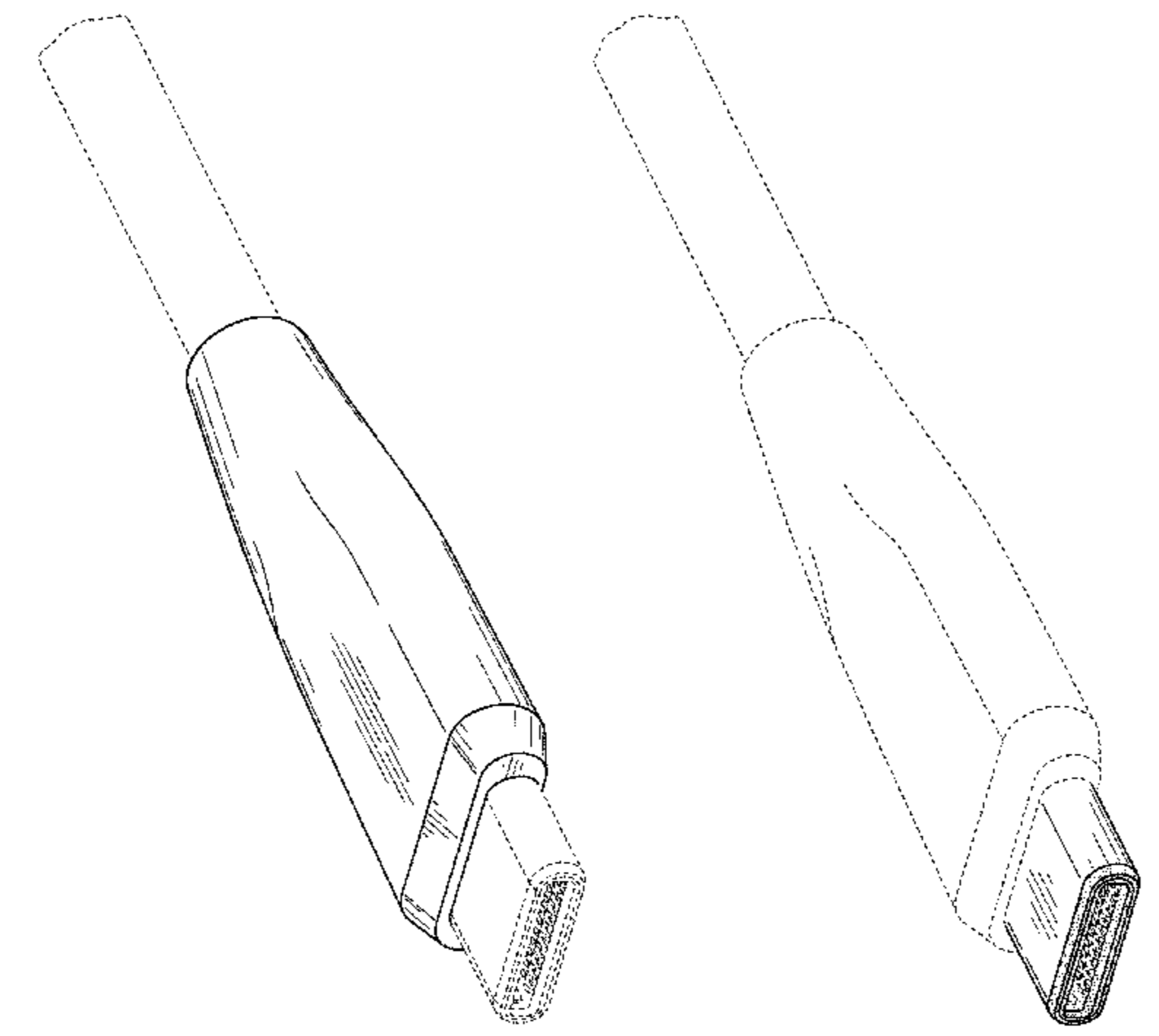
Korean Office Action for Application No. 30-2014-0036010-M001 dated Feb. 24, 2015.
Korean Office Action for Application No. 30-2014-0036010-M002 dated Feb. 24, 2015.
(Continued)

Primary Examiner — Daniel Bui
(74) *Attorney, Agent, or Firm* — Lerner, David, Littenberg, Krumholz & Mentlik, LLP

(57) **CLAIM**
The ornamental design for a power/data connector, as shown and described.

FIG. 1 is a front, top and left side perspective view of a first embodiment of a power/data connector showing our new design;
 FIG. 2 is a front elevation view thereof;
 FIG. 3 is a back elevation view thereof;
 FIG. 4 is a left side elevation view thereof, the right side elevation view being a mirror image of the left side elevation view;
 FIG. 5 is a top elevation view thereof, the bottom elevation view being a mirror image of the top elevation view;
 FIG. 6 is a front, top and left side perspective view of a second embodiment of a power/data connector showing our new design;
 FIG. 7 is a front elevation view thereof;
 FIG. 8 is a back elevation view thereof;
 FIG. 9 is a left side elevation view thereof, the right side elevation view being a mirror image of the left side elevation view;
 FIG. 10 is a top elevation view thereof, the bottom elevation view being a mirror image of the top elevation view;
 FIG. 11 is a front, top and left side perspective view of a third embodiment of a power/data connector showing our new design;
 FIG. 12 is a front elevation view thereof;
 FIG. 13 is a back elevation view thereof;
 FIG. 14 is a left side elevation view thereof, the right side elevation view being a mirror image of the left side elevation view;
 FIG. 15 is a top elevation view thereof, the bottom elevation view being a mirror image of the top elevation view;
 FIG. 16 is a front, top and left side perspective view of a fourth embodiment of a power/data connector showing our new design;
 FIG. 17 is a front elevation view thereof;
 FIG. 18 is a back elevation view thereof;
 FIG. 19 is a left side elevation view thereof, the right side elevation view being a mirror image of the left side elevation view; and,
 FIG. 20 is a top elevation view thereof, the bottom elevation view being a mirror image of the top elevation view.
 Broken line in the figure drawing views represents unclaimed environmental only and forms no part of the claimed design. Stipple-fill areas represent portions of the design that have a color that contrasts with color of the non-filled areas.

1 Claim, 12 Drawing Sheets



(56)

References Cited

U.S. PATENT DOCUMENTS

D544,443 S * 6/2007 Yang et al. D13/133
D588,995 S * 3/2009 Wu et al. D13/147
D589,453 S * 3/2009 Zhao et al. D13/147
D602,440 S * 10/2009 Wu et al. D13/147
D612,809 S 3/2010 Zhao et al.
D621,360 S 8/2010 Kondo
D626,512 S 11/2010 Lin
D636,337 S 4/2011 Smith et al.
D713,795 S 9/2014 Yang
2015/0044886 A1* 2/2015 Little et al. 439/55

OTHER PUBLICATIONS

Korean Office Action for Application No. 30-2014-0036010-M003 dated Feb. 24, 2015.
Korean Office Action for Application No. 30-2014-0036010-M004 dated Feb. 24, 2015.
Korean Office Action for Application No. 30-2014-0036010-M005 dated Feb. 24, 2015.
Korean Office Action for Application No. 30-2014-0036010-M006 dated Feb. 24, 2015.
Japanese Office Action for Application No. 2014-015758 dated Jun. 24, 2015.

* cited by examiner

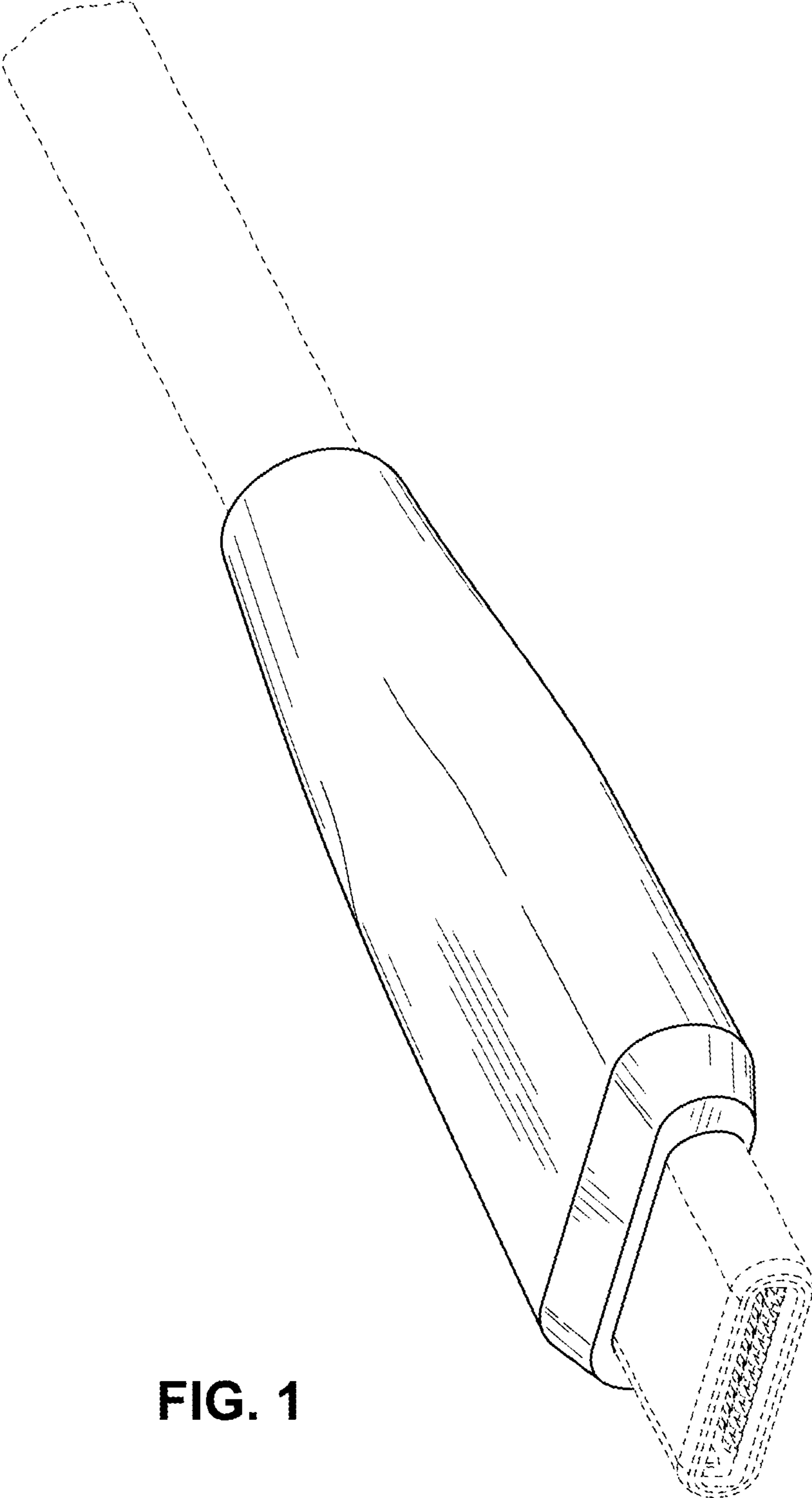


FIG. 1

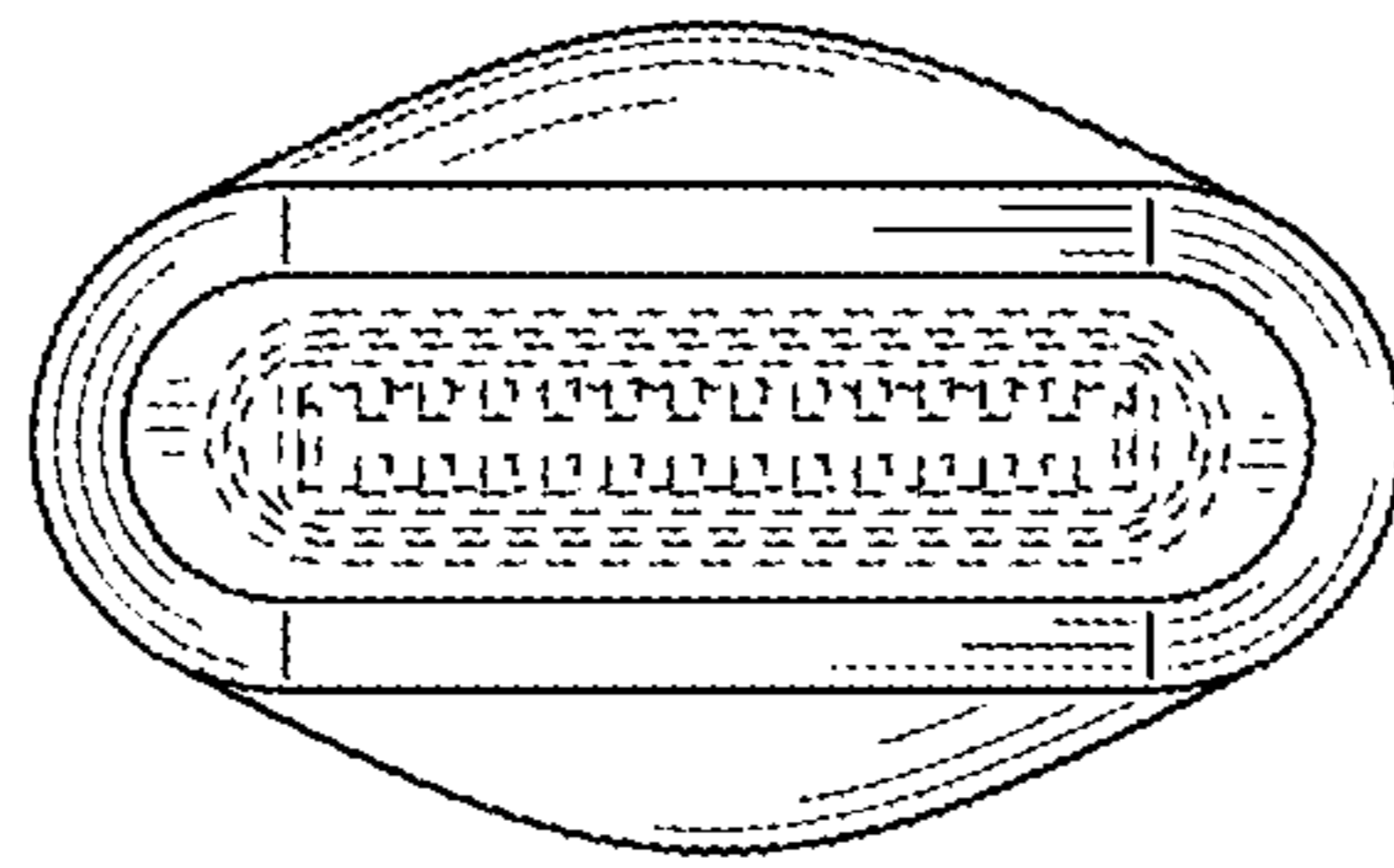


FIG. 2

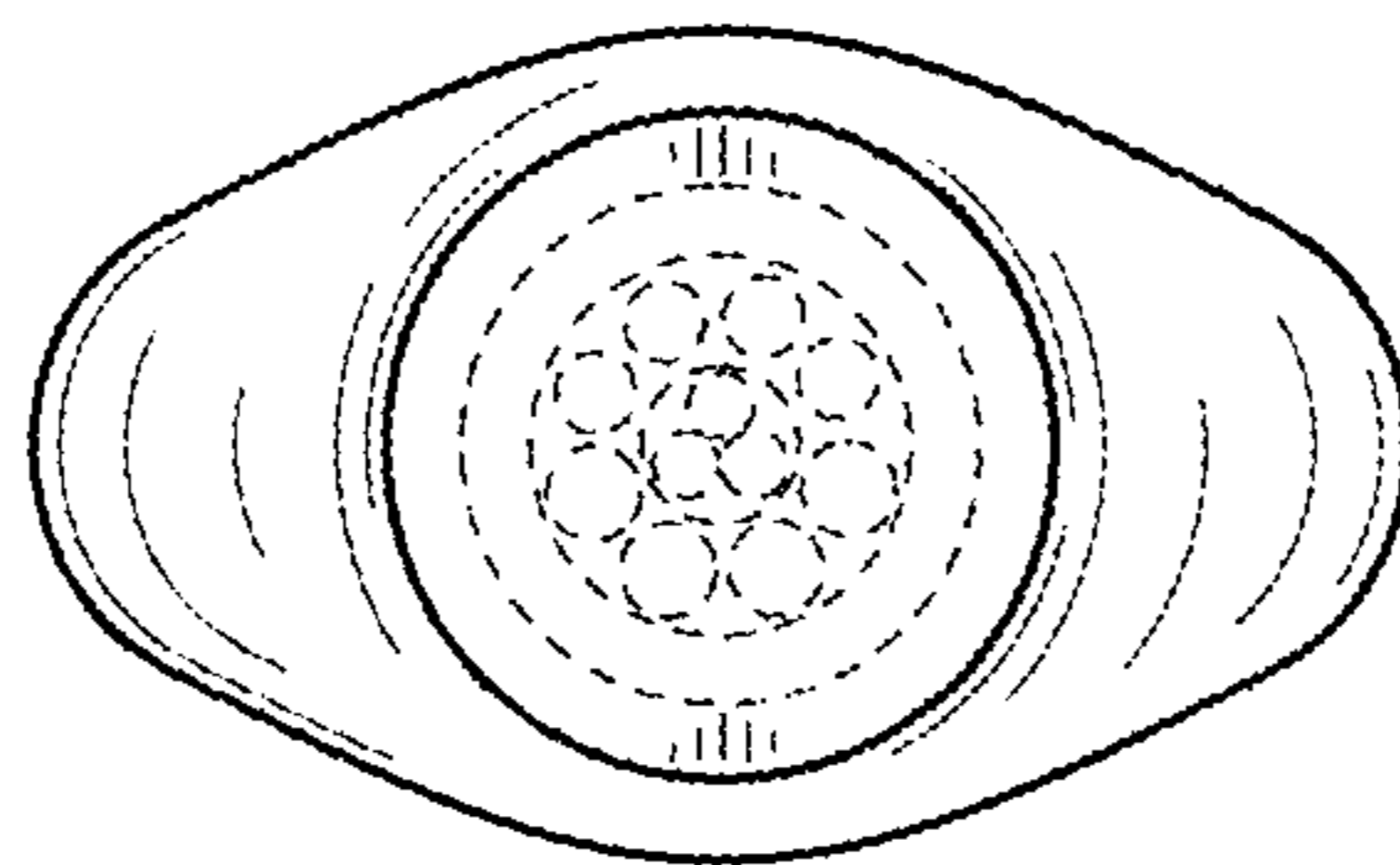


FIG. 3

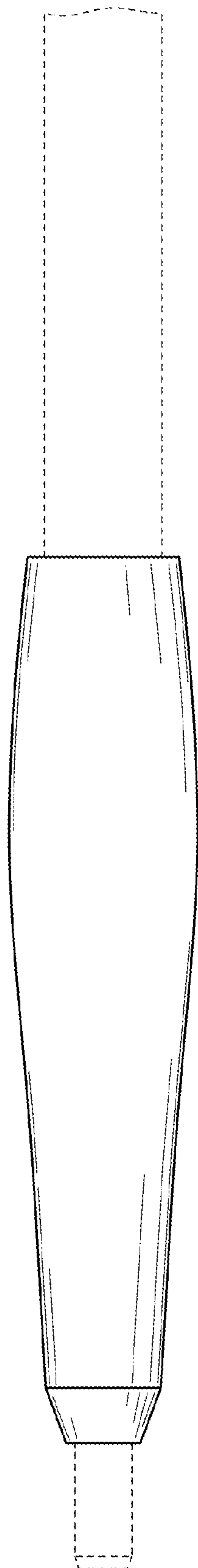


FIG. 4

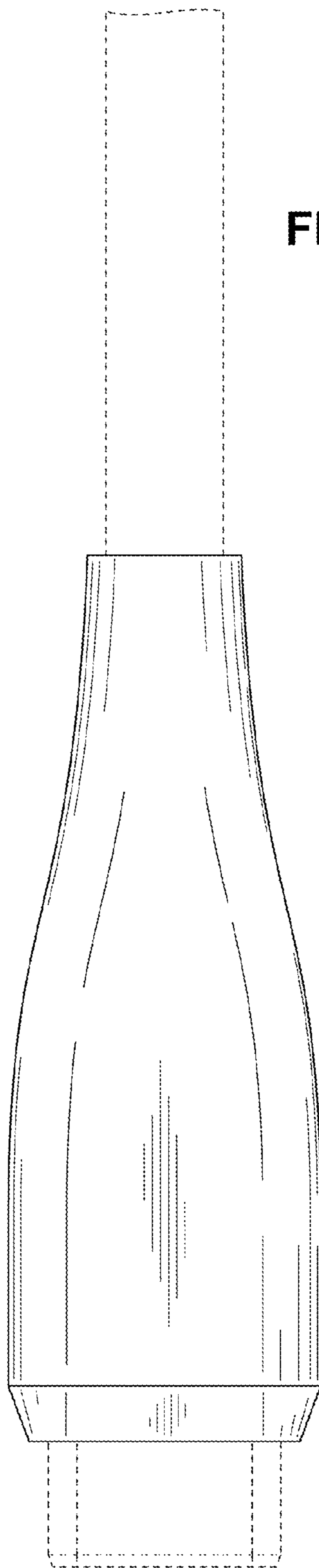


FIG. 5

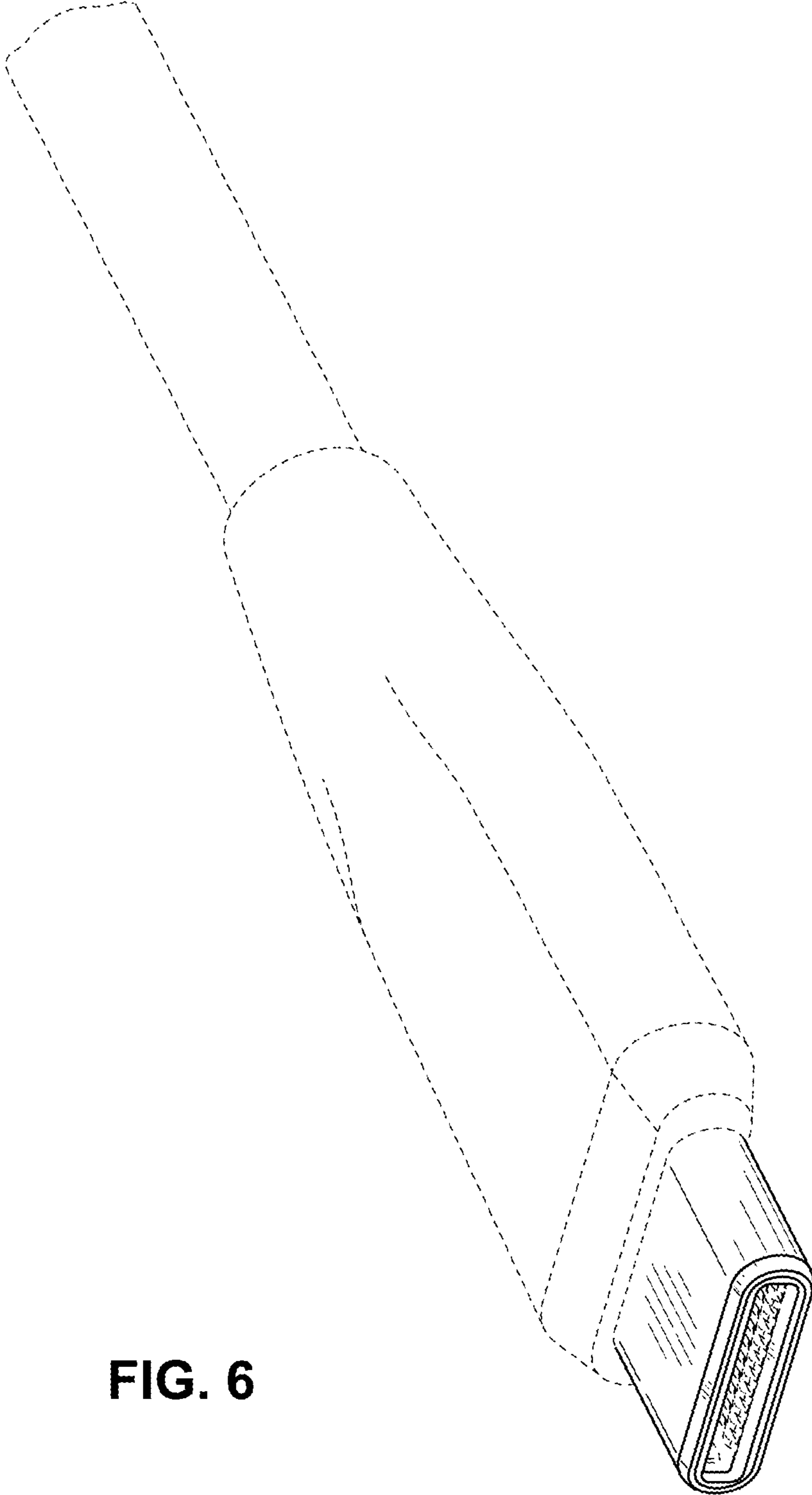


FIG. 6

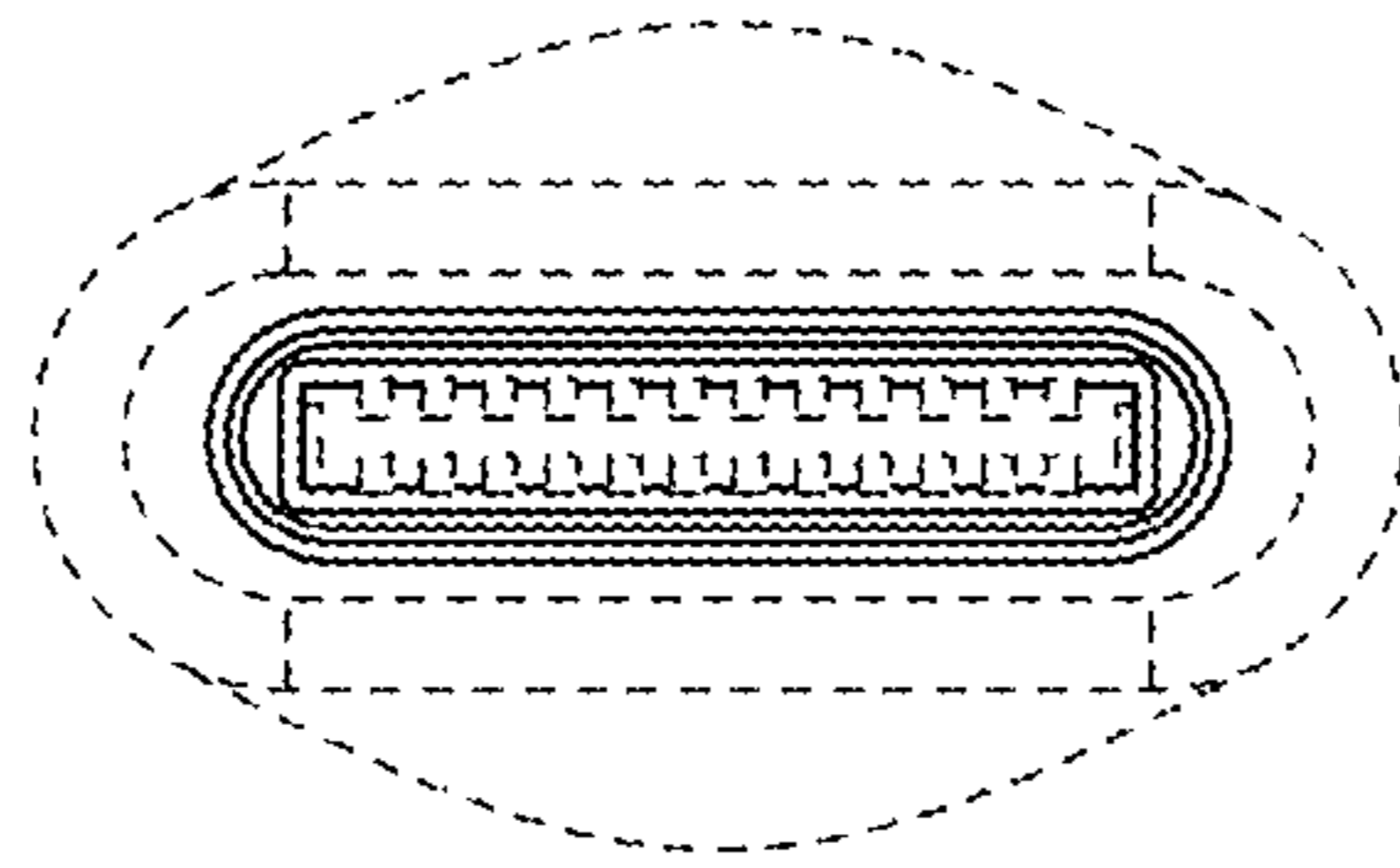


FIG. 7

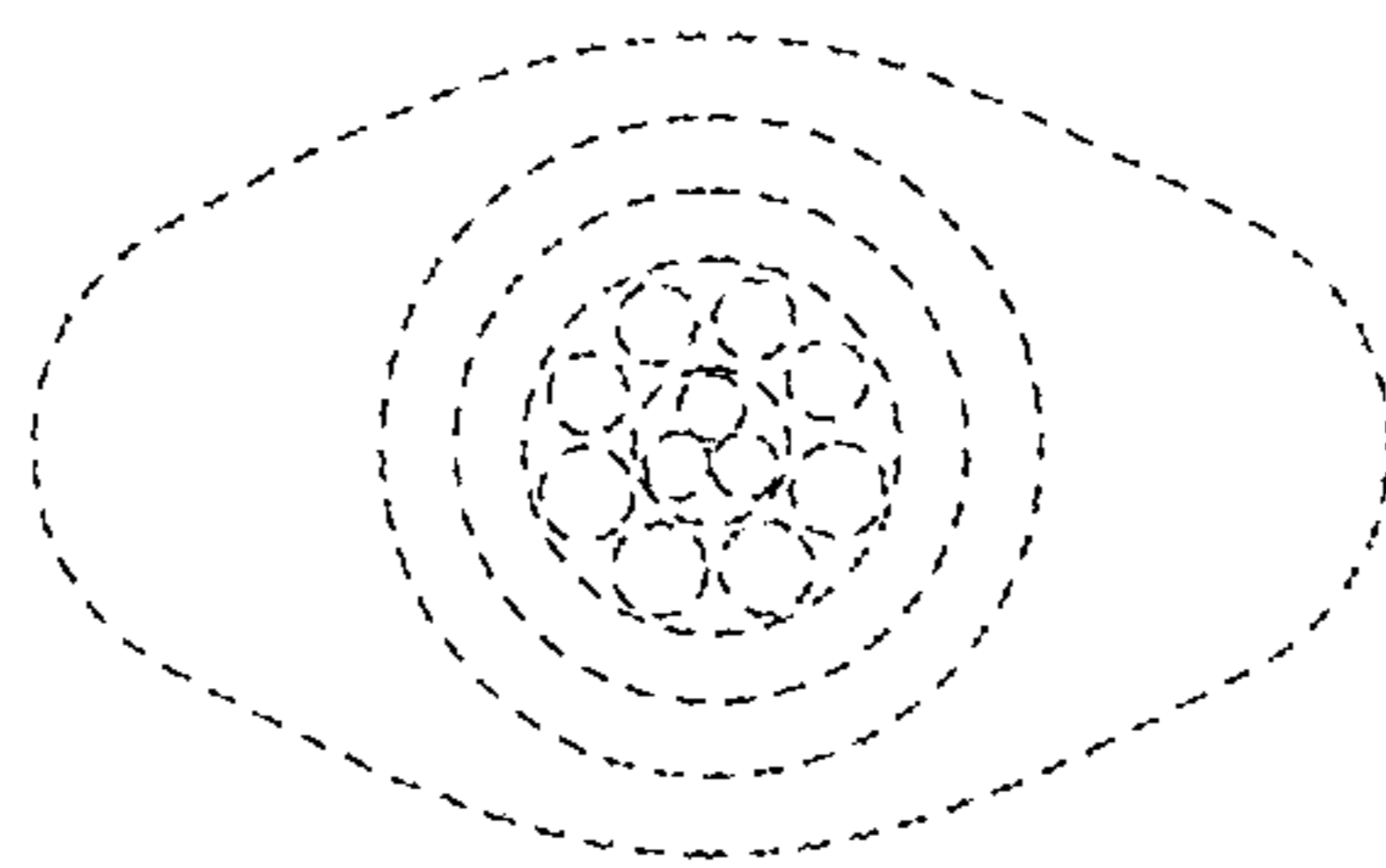


FIG. 8

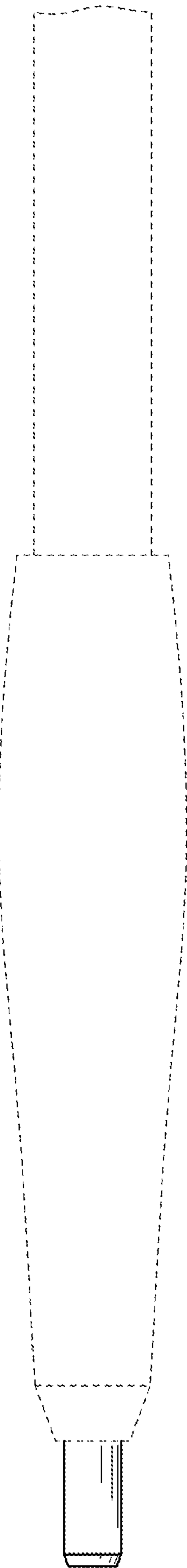


FIG. 9

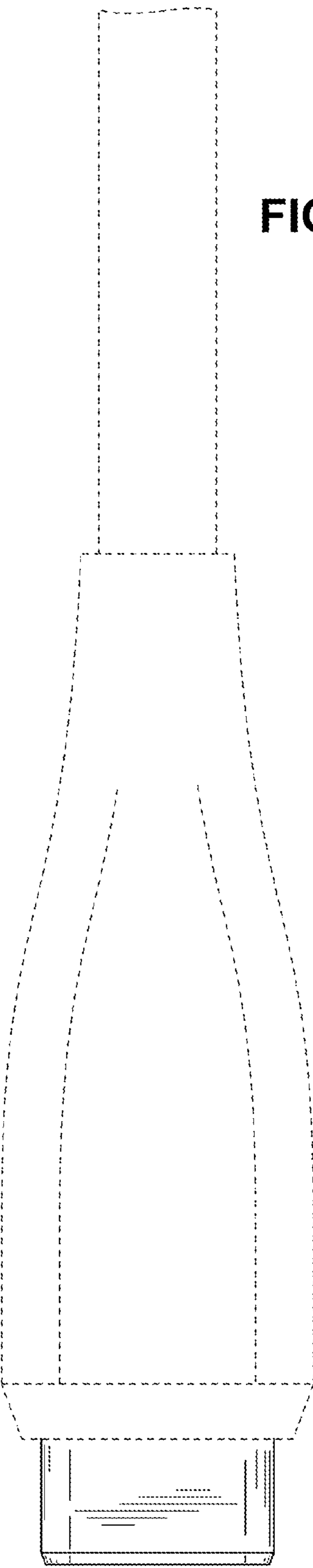


FIG. 10

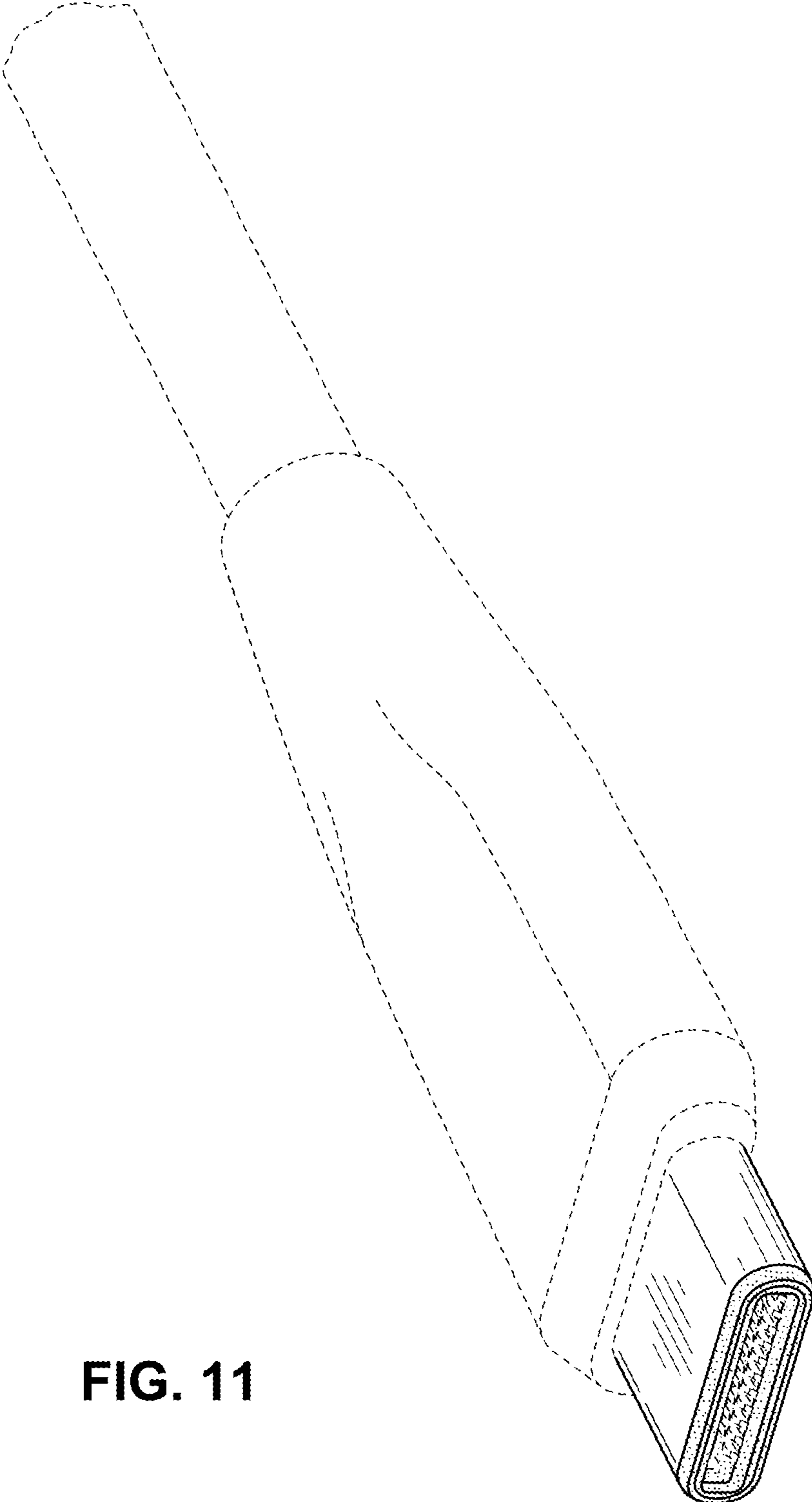


FIG. 11

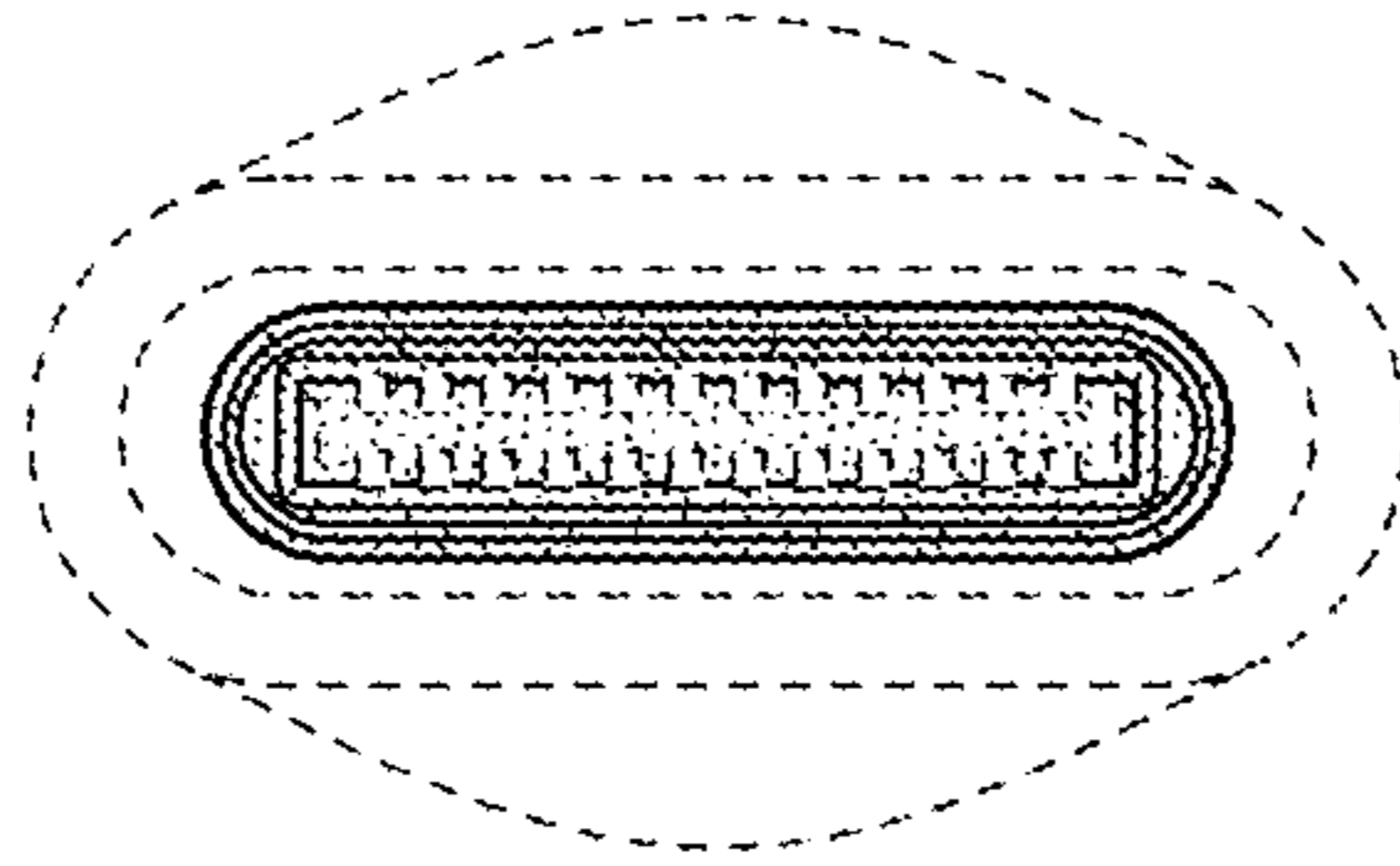


FIG. 12

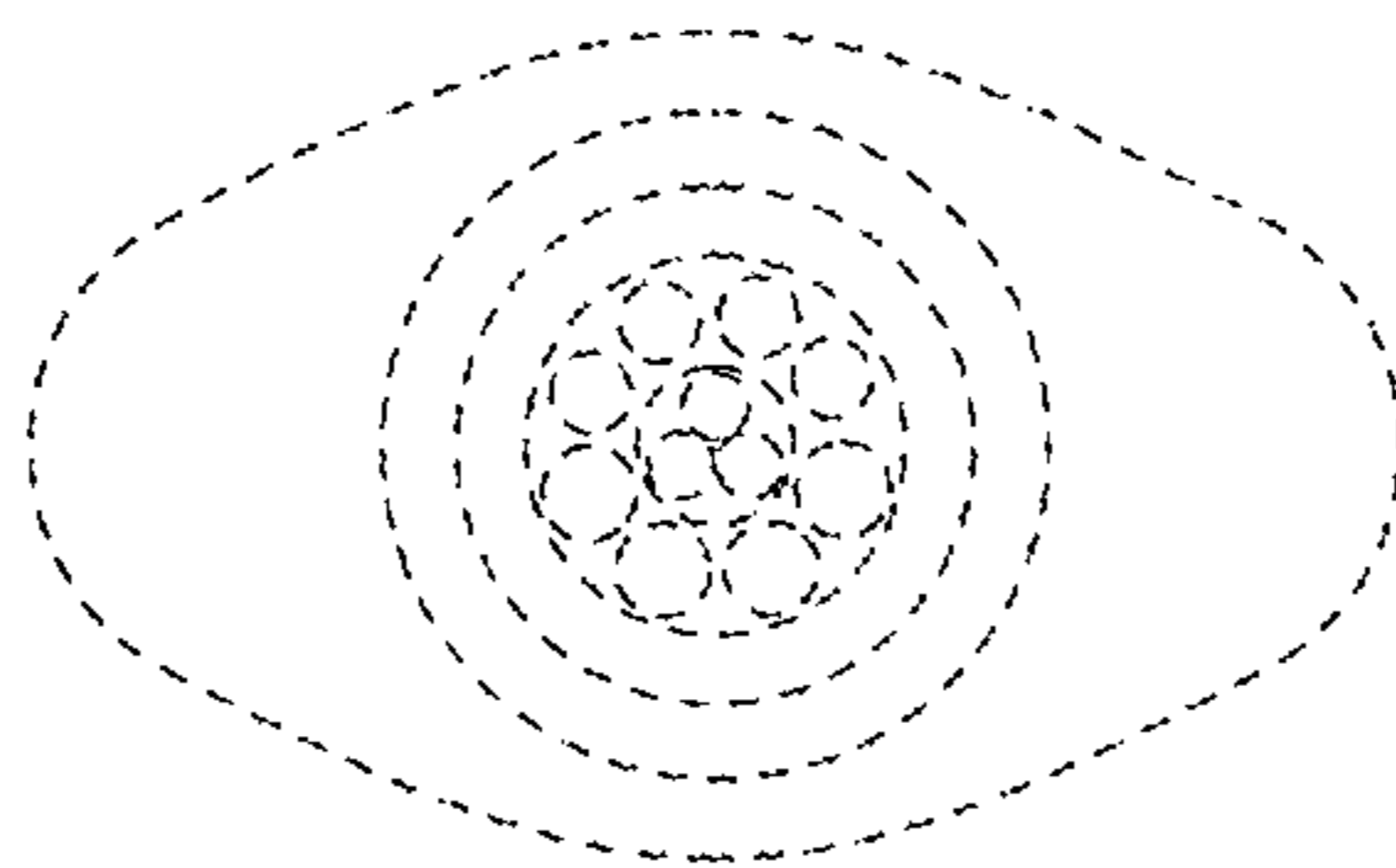


FIG. 13

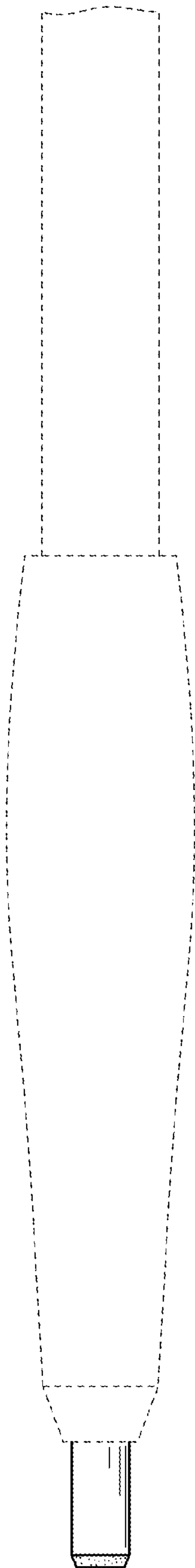


FIG. 14

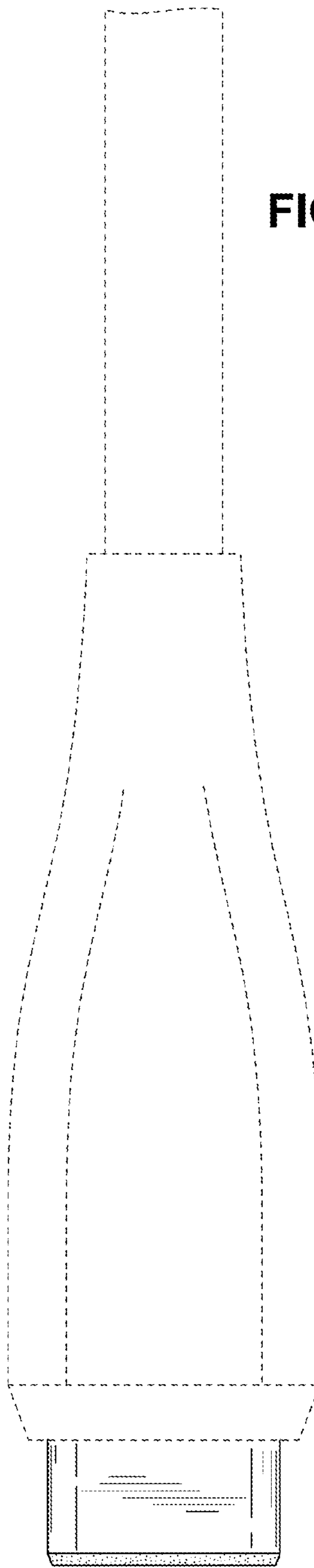


FIG. 15

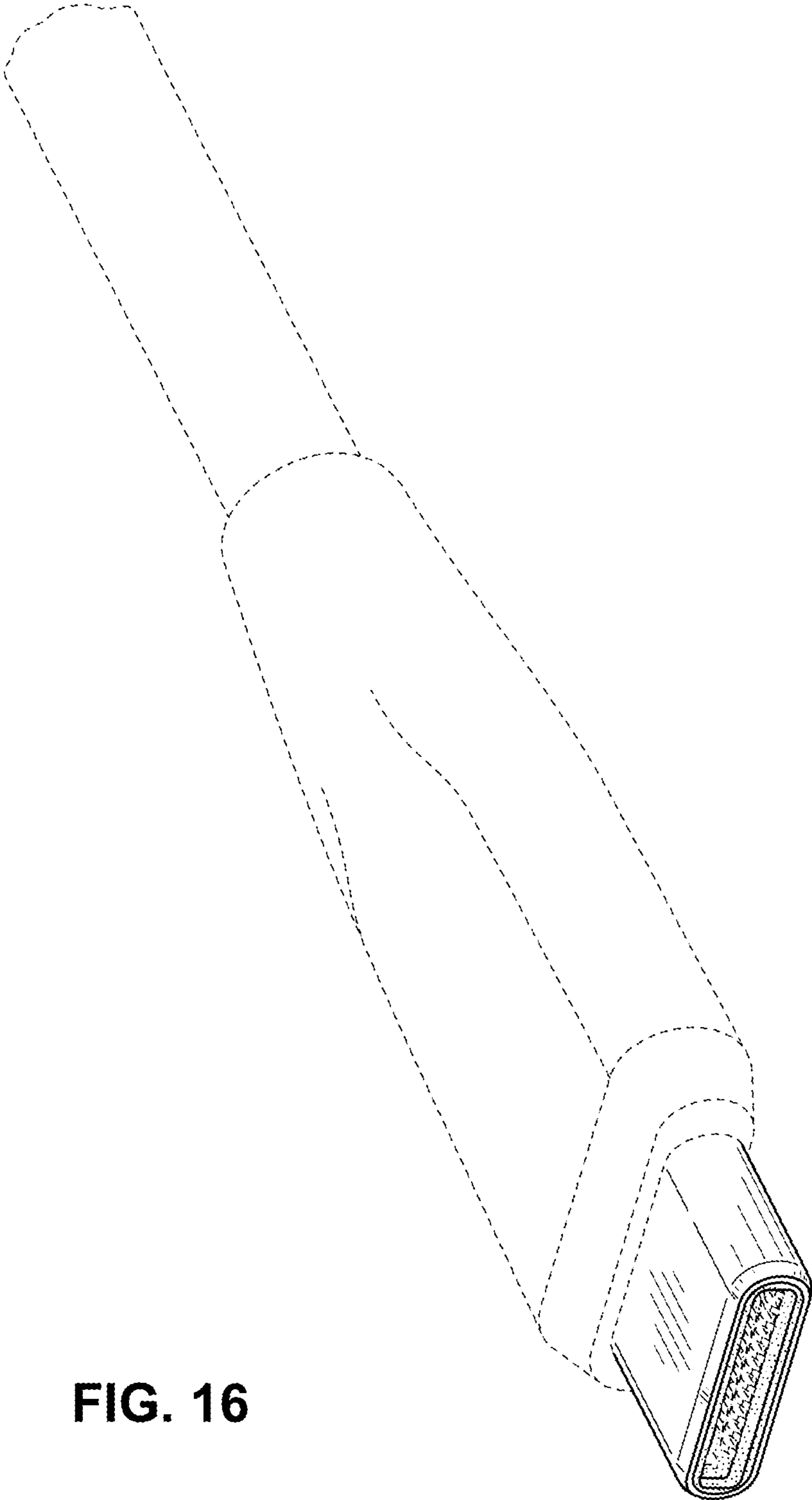


FIG. 16

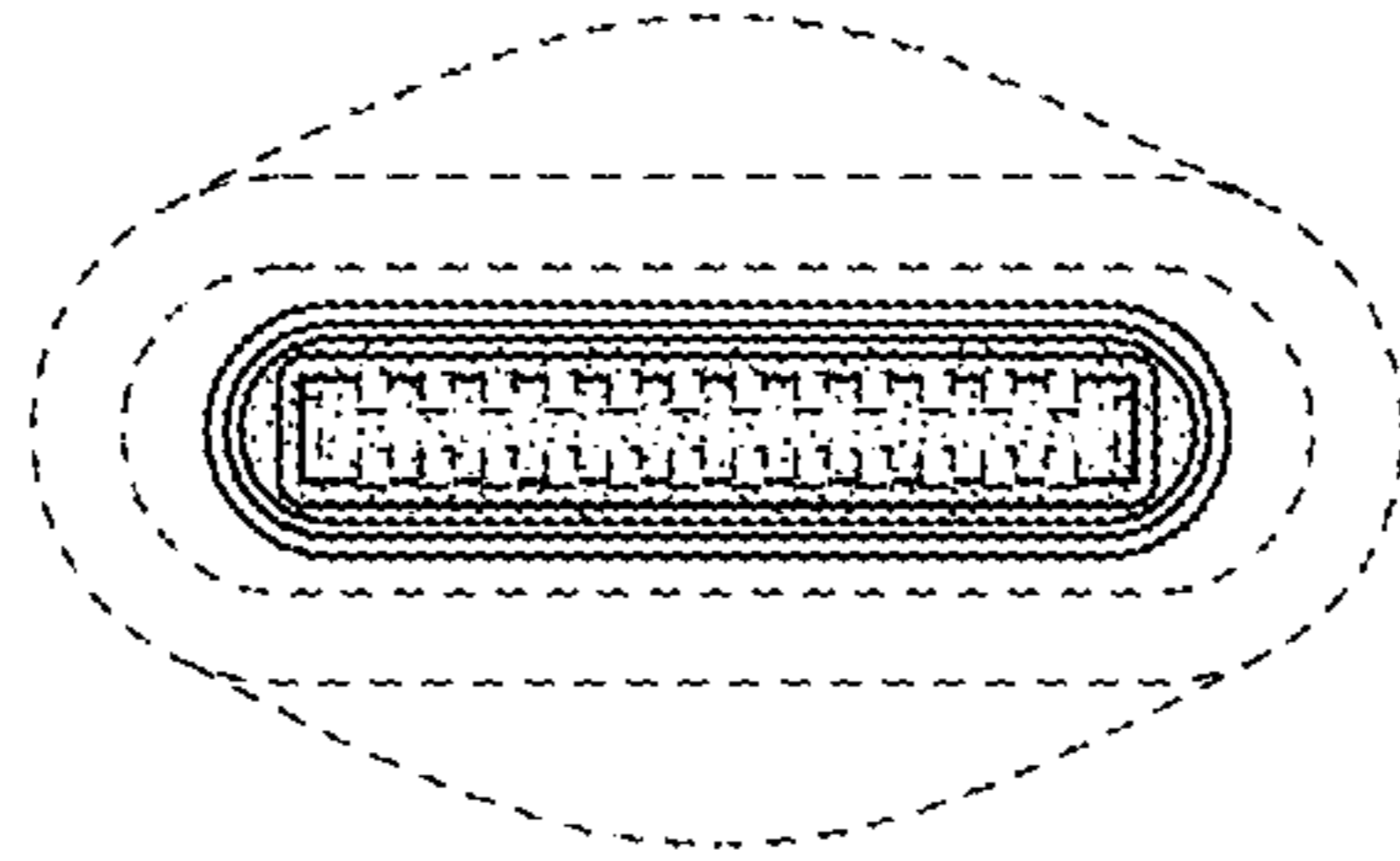


FIG. 17

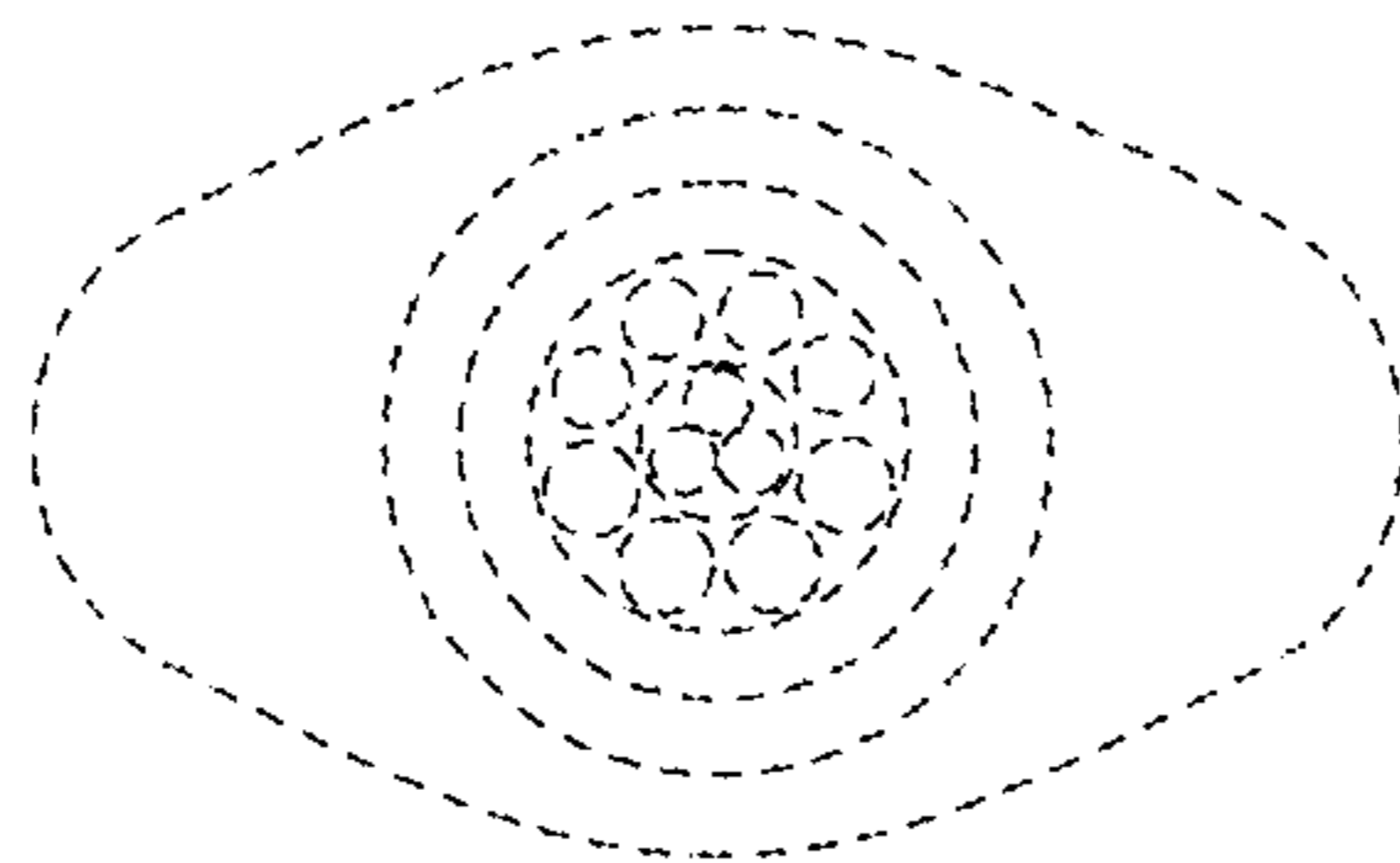


FIG. 18

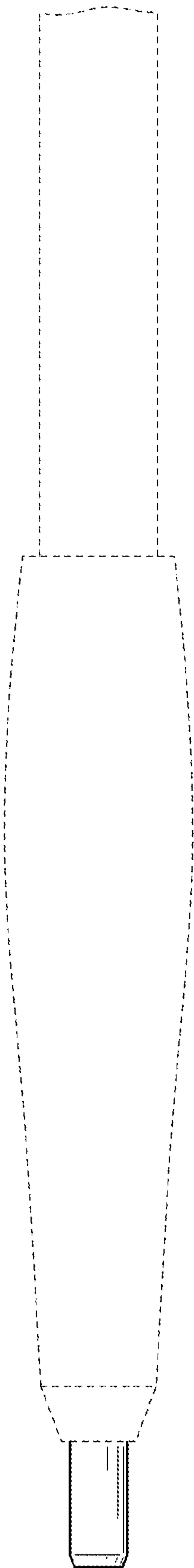


FIG. 19

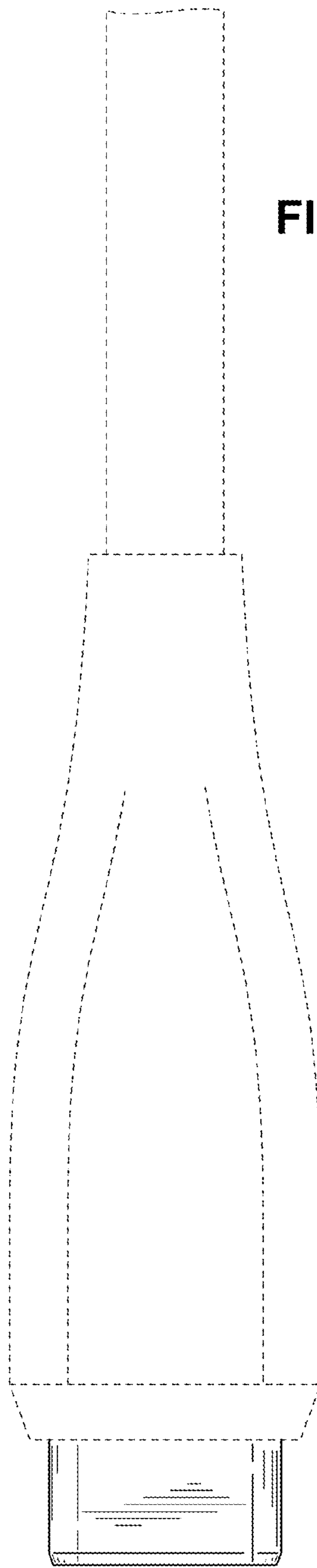


FIG. 20