



US00D744427S

(12) **United States Design Patent**  
**Yamashita et al.**

(10) **Patent No.:** **US D744,427 S**  
(45) **Date of Patent:** **\*\* Dec. 1, 2015**

(54) **ELECTRICAL CONNECTOR**

(71) Applicant: **Japan Aviation Electronics Industry, Limited**, Tokyo (JP)

(72) Inventors: **Masaki Yamashita**, Tokyo (JP);  
**Masaaki Takaku**, Tokyo (JP)

(73) Assignee: **JAPAN AVIATION ELECTRONICS INDUSTRY, LIMITED**, Tokyo (JP)

(\*\*) Term: **14 Years**

(21) Appl. No.: **29/501,570**

(22) Filed: **Sep. 5, 2014**

(30) **Foreign Application Priority Data**

Mar. 20, 2014 (JP) ..... 2014-005883

(51) **LOC (10) Cl.** ..... **13-03**

(52) **U.S. Cl.**  
USPC ..... **D13/146**

(58) **Field of Classification Search**  
USPC ..... D13/133, 146, 147, 154, 184, 199  
See application file for complete search history.

(56) **References Cited**

**U.S. PATENT DOCUMENTS**

D647,855 S \* 11/2011 Chiang ..... D13/146  
D647,856 S \* 11/2011 Chiang ..... D13/146

D648,684 S \* 11/2011 Liu ..... D13/147  
D655,248 S \* 3/2012 Chiang ..... D13/146  
8,348,700 B1 \* 1/2013 Chiang ..... H01R 13/6581  
439/607.08  
D733,663 S \* 7/2015 Chen ..... D13/147

\* cited by examiner

*Primary Examiner* — Daniel Bui

(74) *Attorney, Agent, or Firm* — Manabu Kanesaka

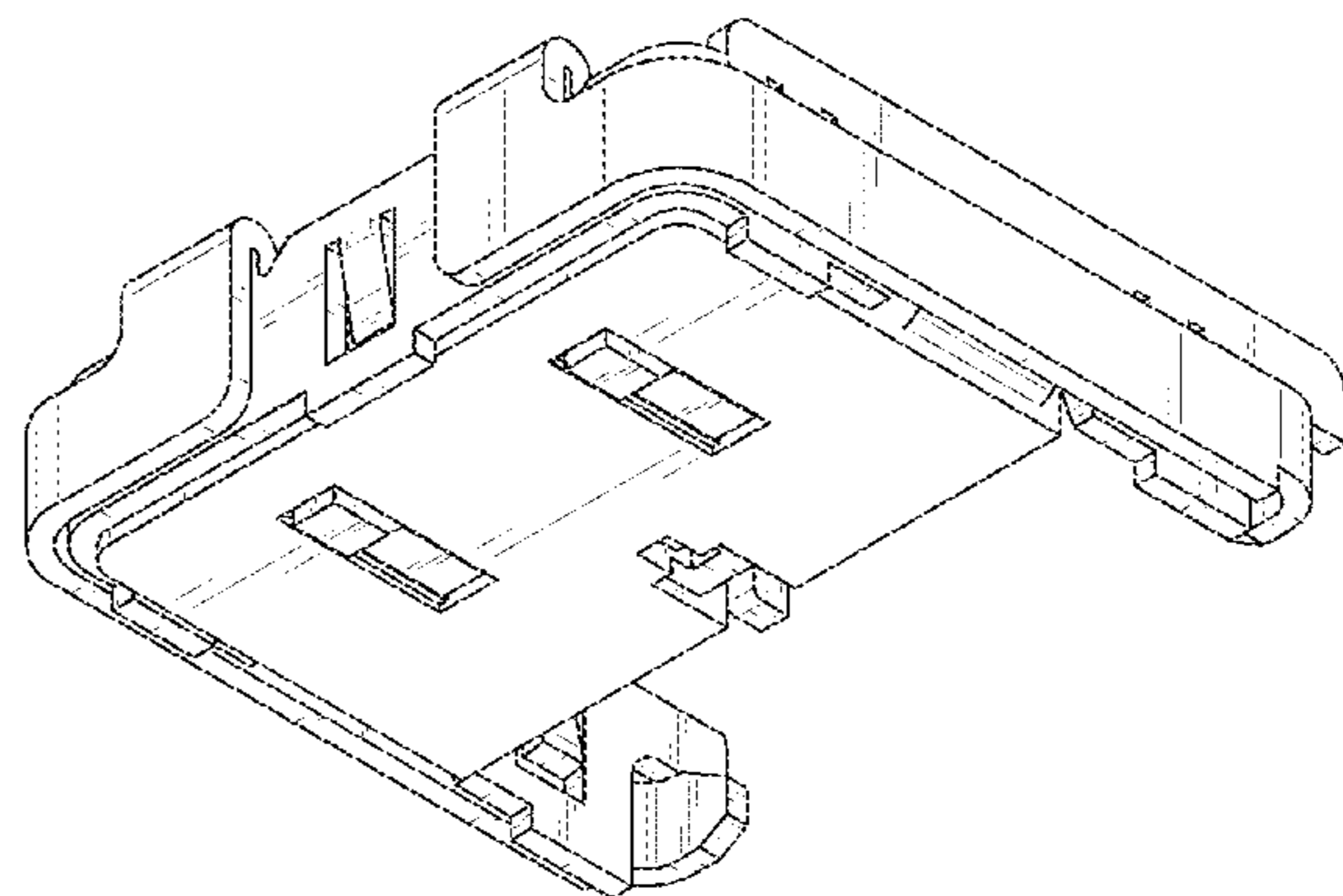
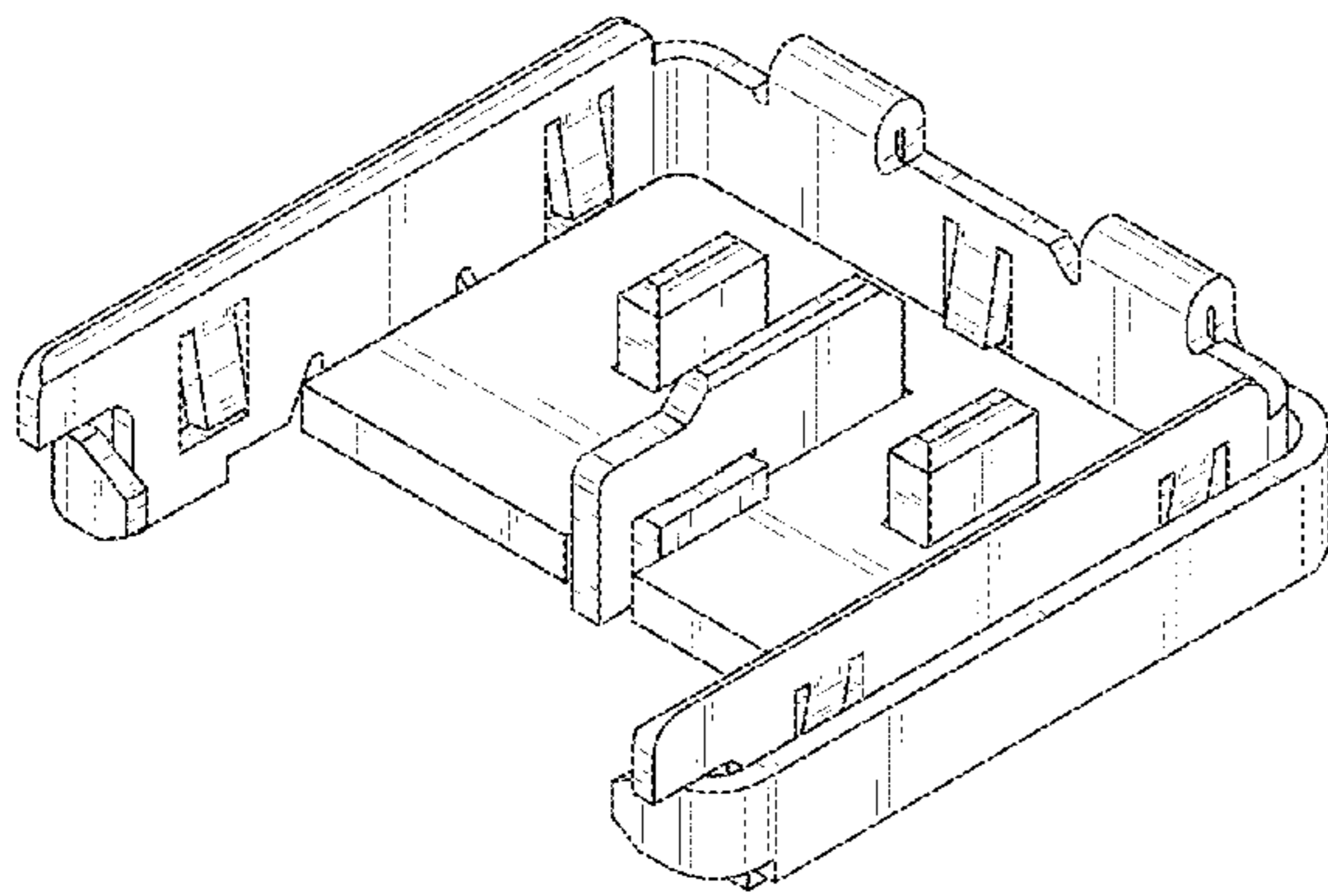
(57) **CLAIM**

The ornamental design for an electrical connector, as shown and described.

**DESCRIPTION**

FIG. 1 is a front elevation view of an electrical connector showing our new design;  
FIG. 2 is a rear elevation view thereof;  
FIG. 3 is a right side elevation view thereof;  
FIG. 4 is a left side elevation view thereof;  
FIG. 5 is a top plan view thereof;  
FIG. 6 is a bottom plan view thereof;  
FIG. 7 is a perspective view showing a front, top and right side thereof;  
FIG. 8 is a perspective view showing a rear, bottom and left side thereof;  
FIG. 9 is a perspective view showing a front, right side and bottom thereof; and,  
FIG. 10 is a perspective view showing a rear, left side and top thereof.

**1 Claim, 10 Drawing Sheets**



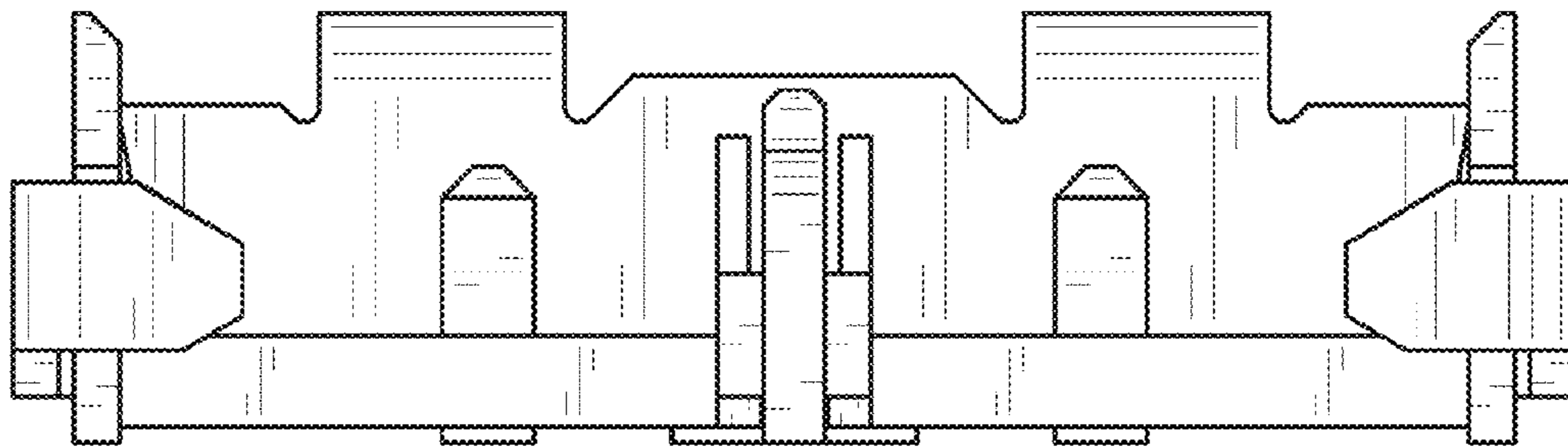


FIG. 1

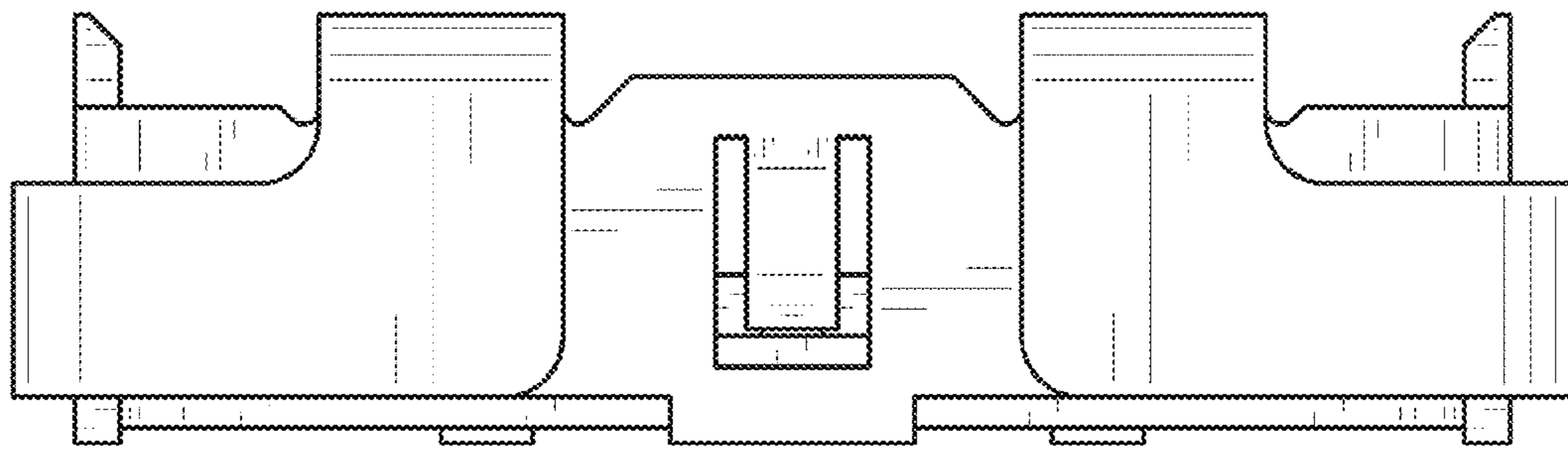


FIG. 2

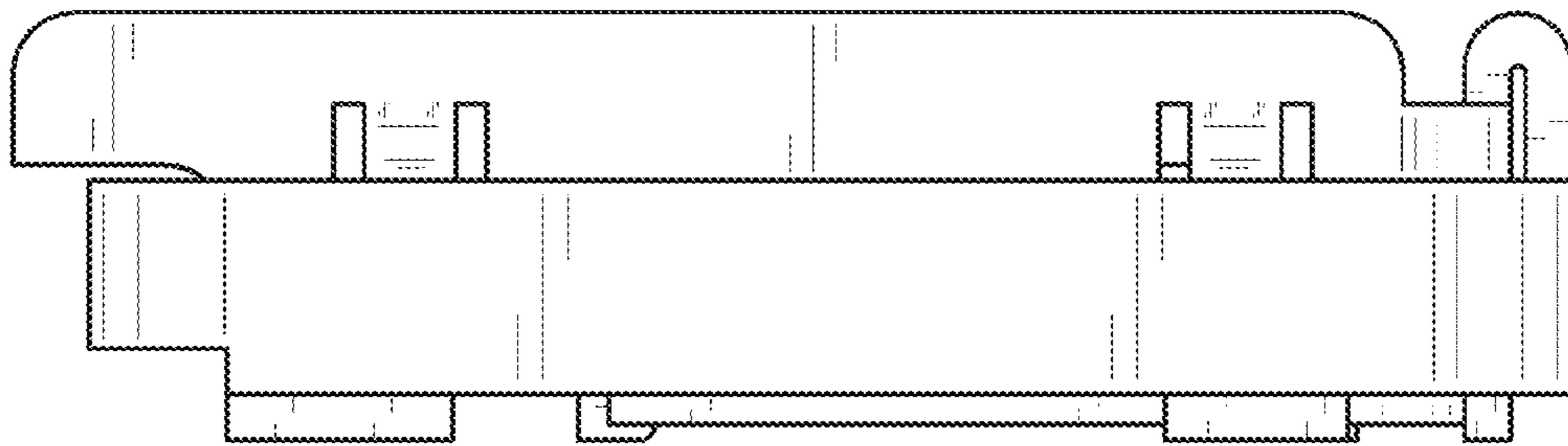


FIG. 3

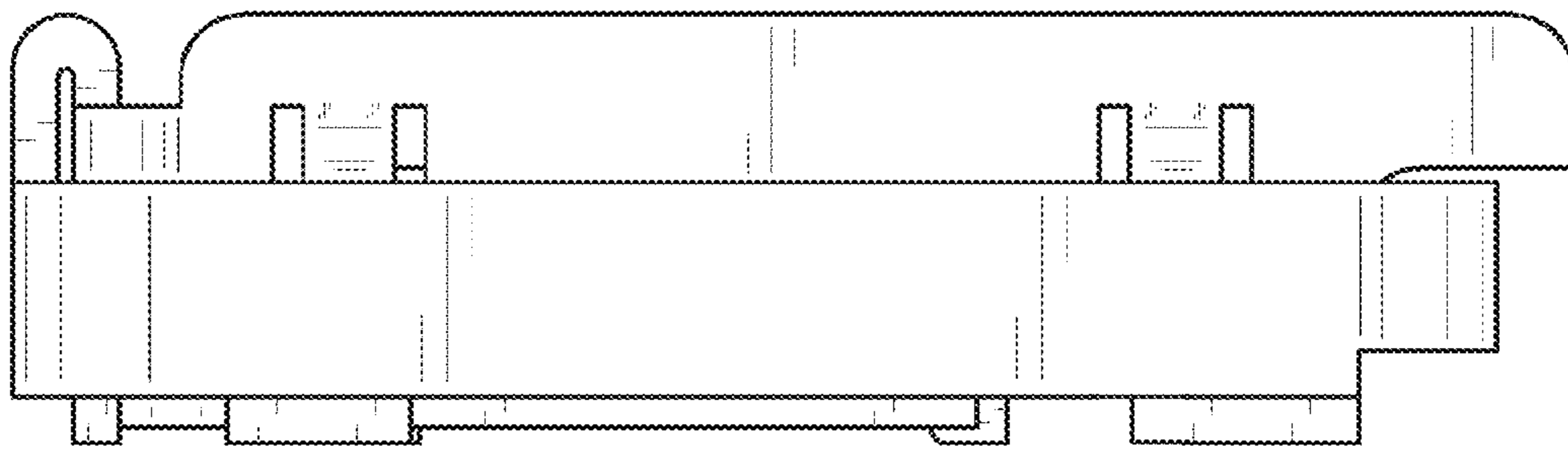


FIG. 4

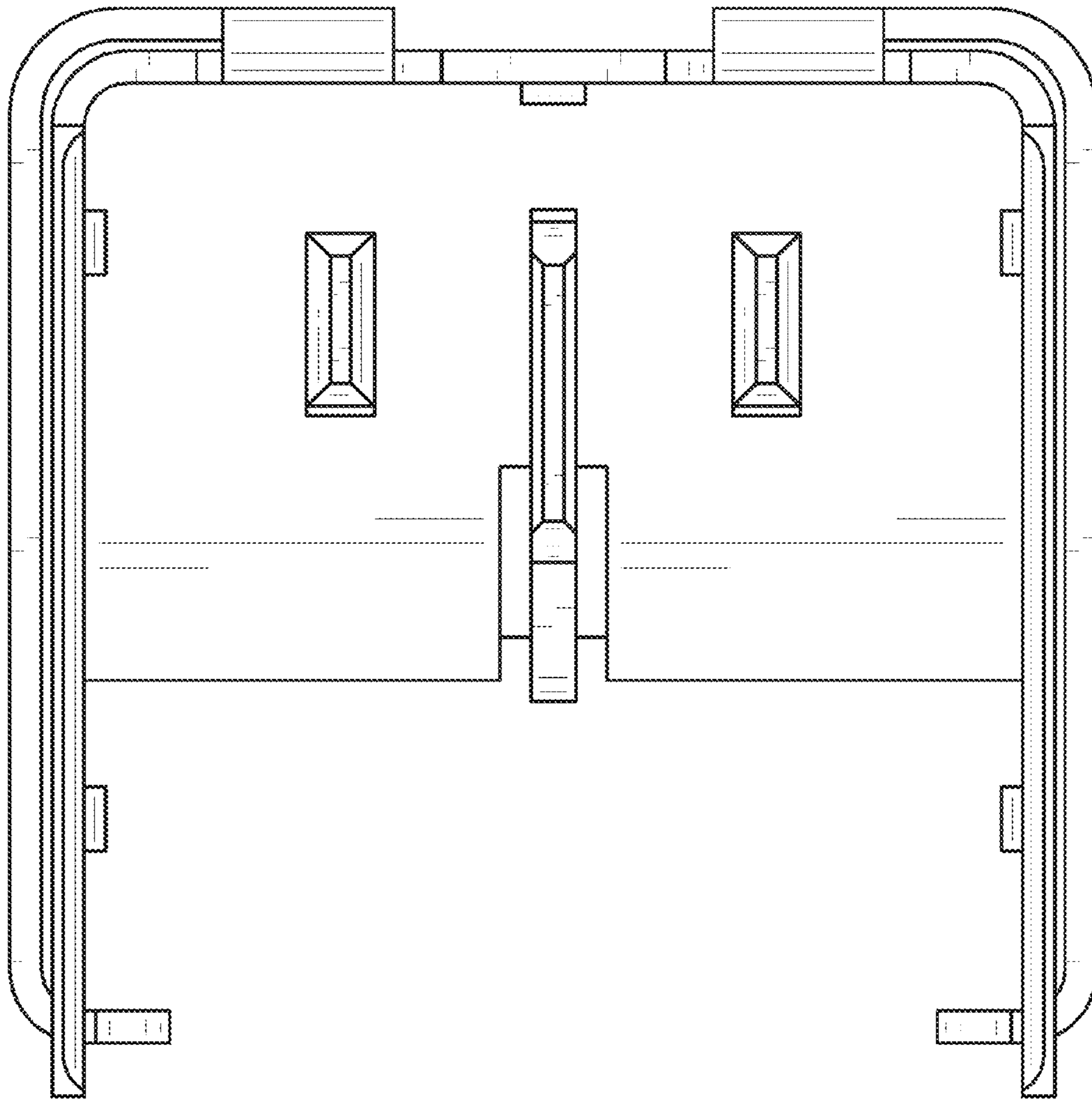


FIG. 5

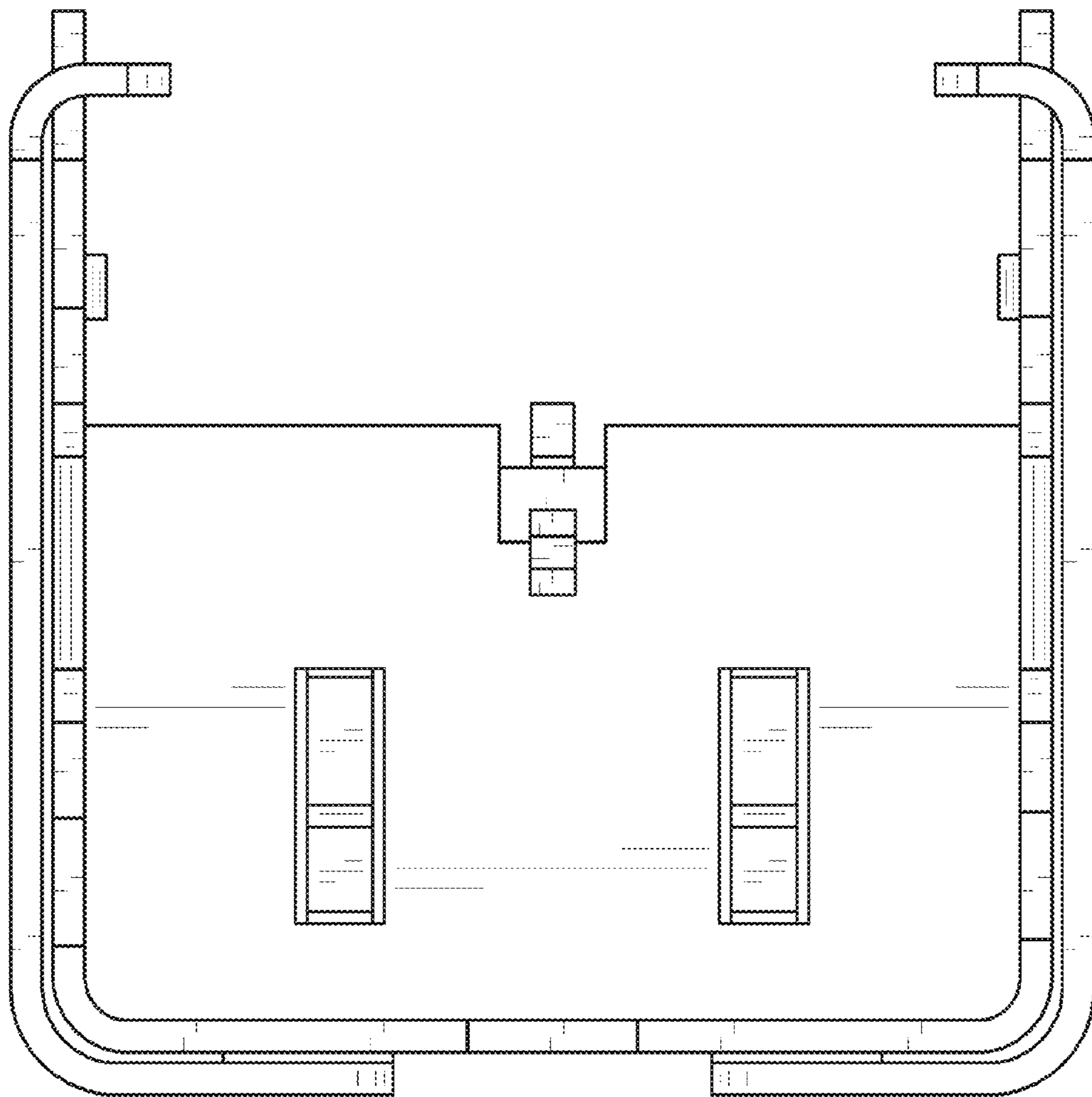


FIG. 6

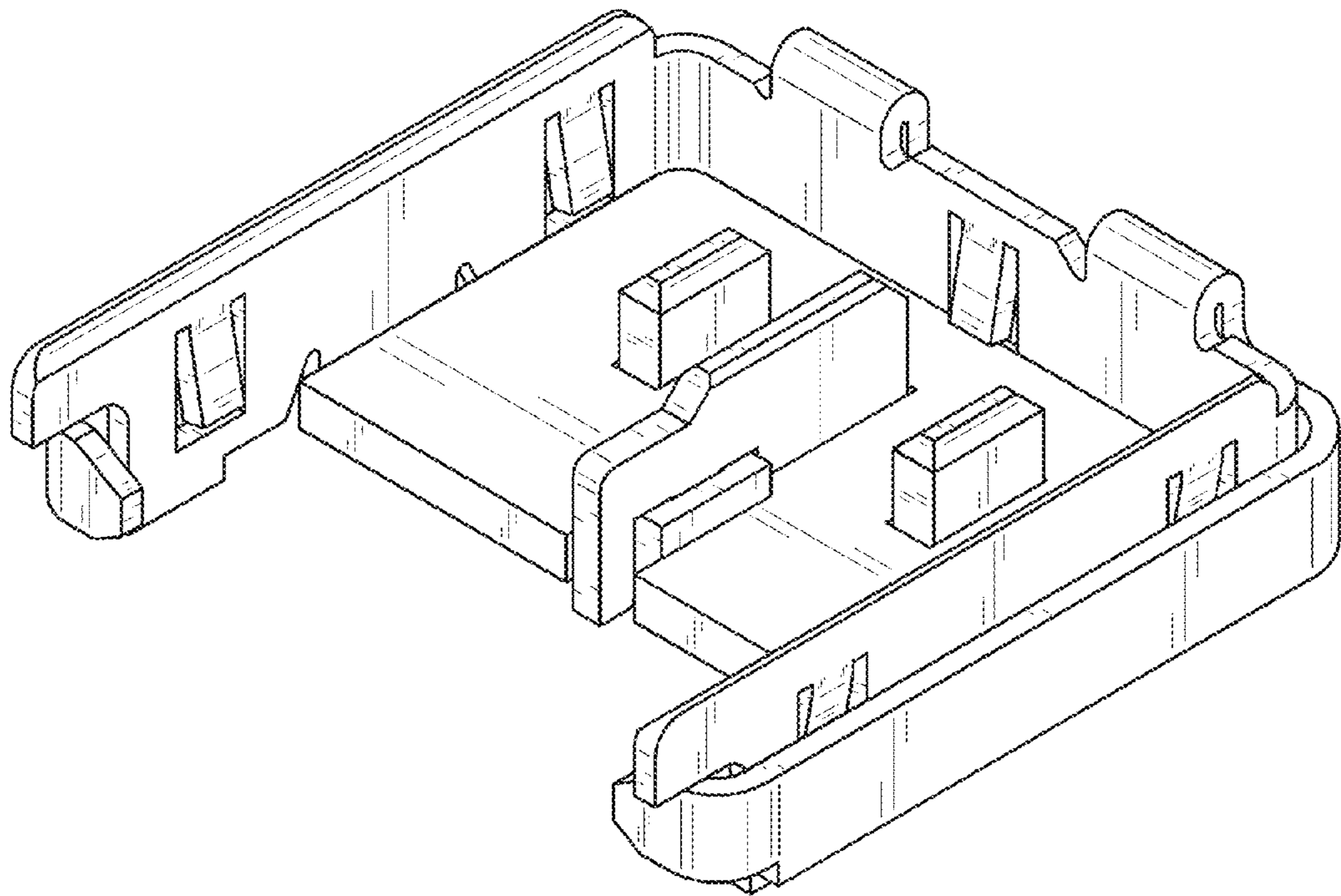


FIG. 7



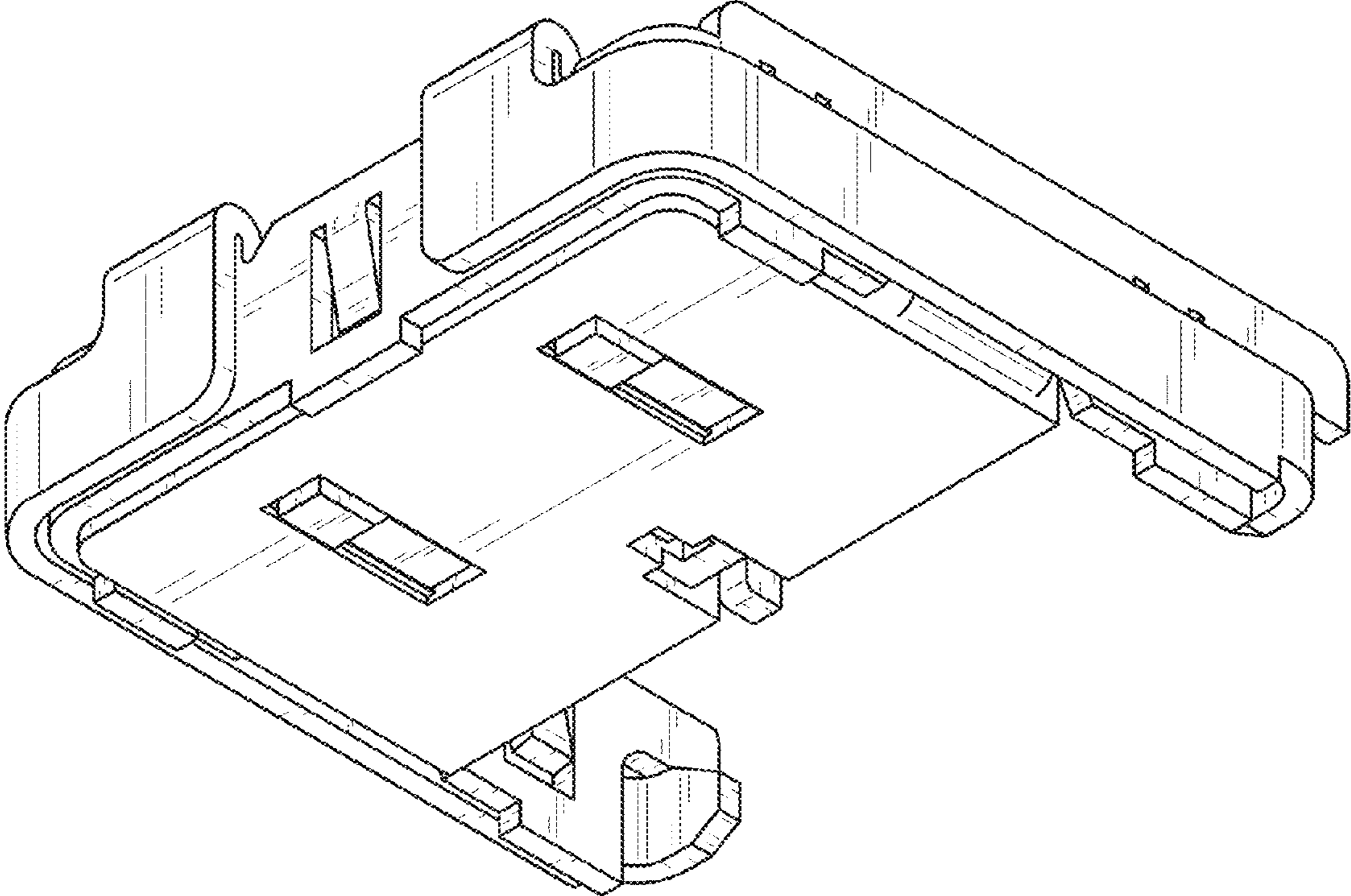


FIG. 8

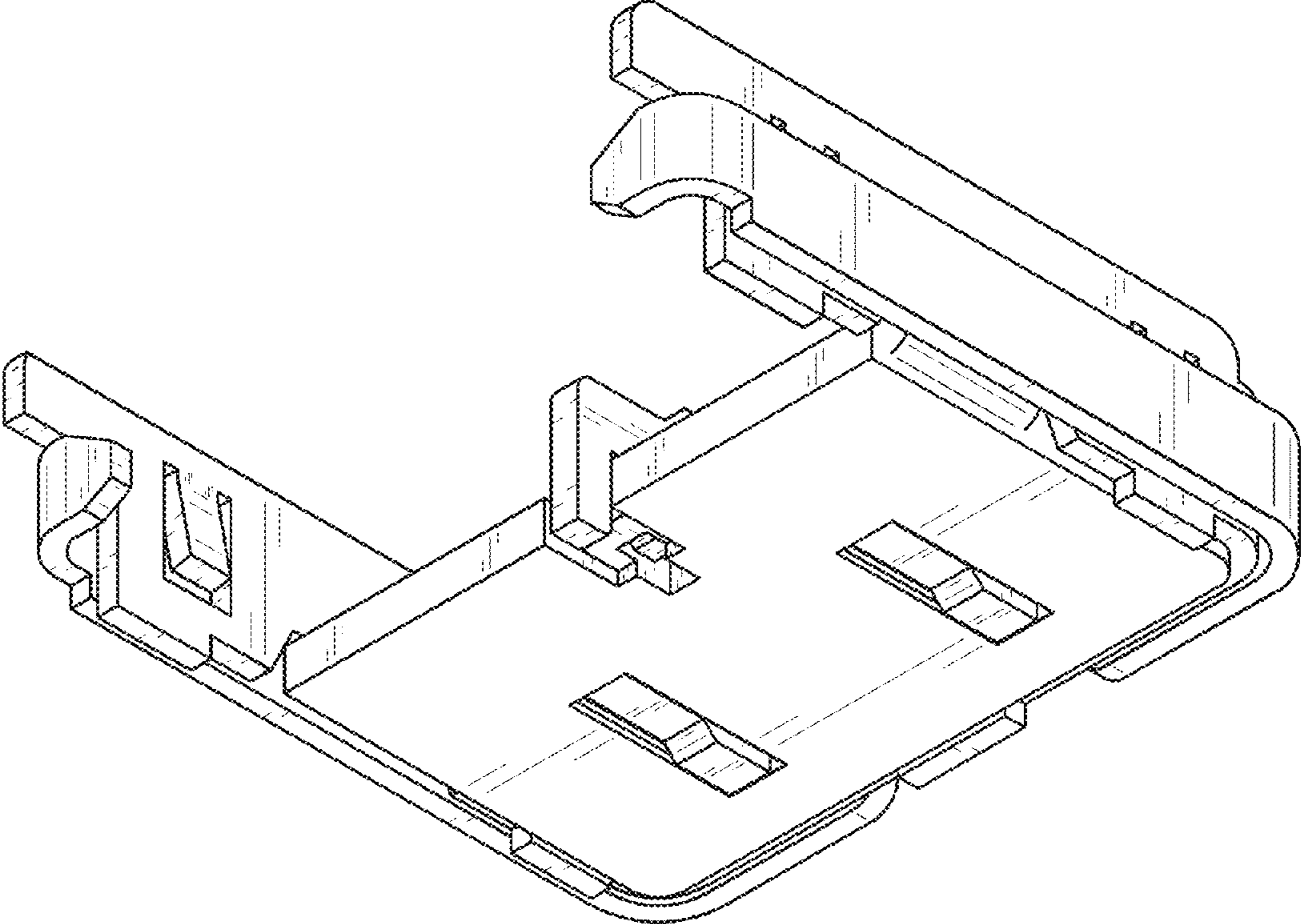


FIG. 9

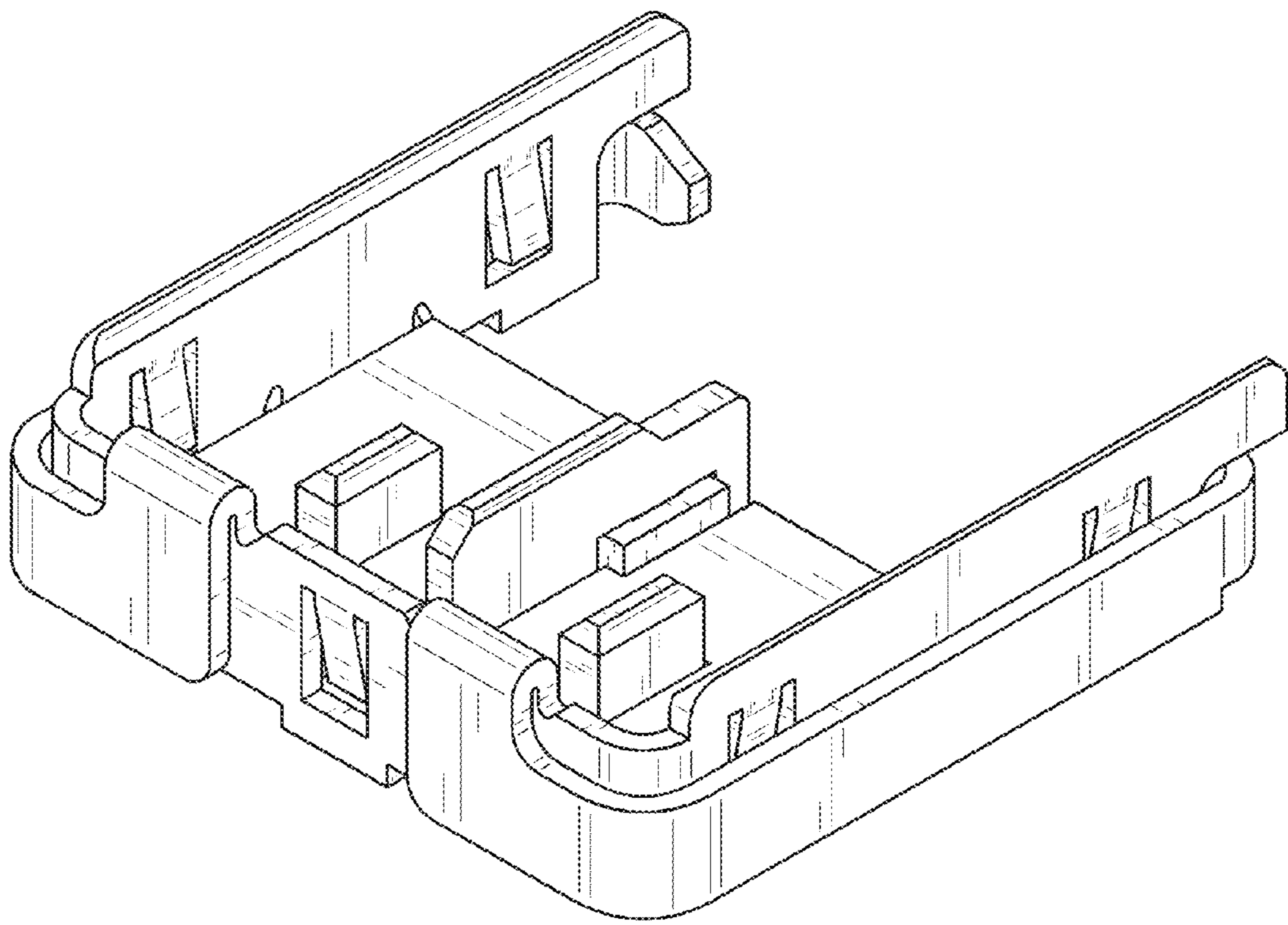


FIG. 10