



US00D744424S

(12) **United States Design Patent**
McMillan

(10) **Patent No.:** **US D744,424 S**

(45) **Date of Patent:** **** Dec. 1, 2015**

(54) **CABLE CONNECTOR**

(71) Applicant: **Antonio Trigiani**, Bristol, TN (US)

(72) Inventor: **Timothy A. McMillan**, Piney Flats, TN (US)

(73) Assignee: **Antonio Trigiani**, Bristol, TN (US)

(**) Term: **14 Years**

(21) Appl. No.: **29/468,423**

(22) Filed: **Sep. 30, 2013**

(51) **LOC (10) Cl.** **13-03**

(52) **U.S. Cl.**
USPC **D13/146**

(58) **Field of Classification Search**
USPC D13/146, 147, 154, 184, 199
See application file for complete search history.

(56) **References Cited**

U.S. PATENT DOCUMENTS

D512,378 S * 12/2005 Dobler D13/146
D705,738 S * 5/2014 Schmidt et al. D13/146

D707,181 S * 6/2014 Schmidt et al. D13/147

* cited by examiner

Primary Examiner — Daniel Bui

(74) *Attorney, Agent, or Firm* — Knox Patents; Thomas A. Kulaga

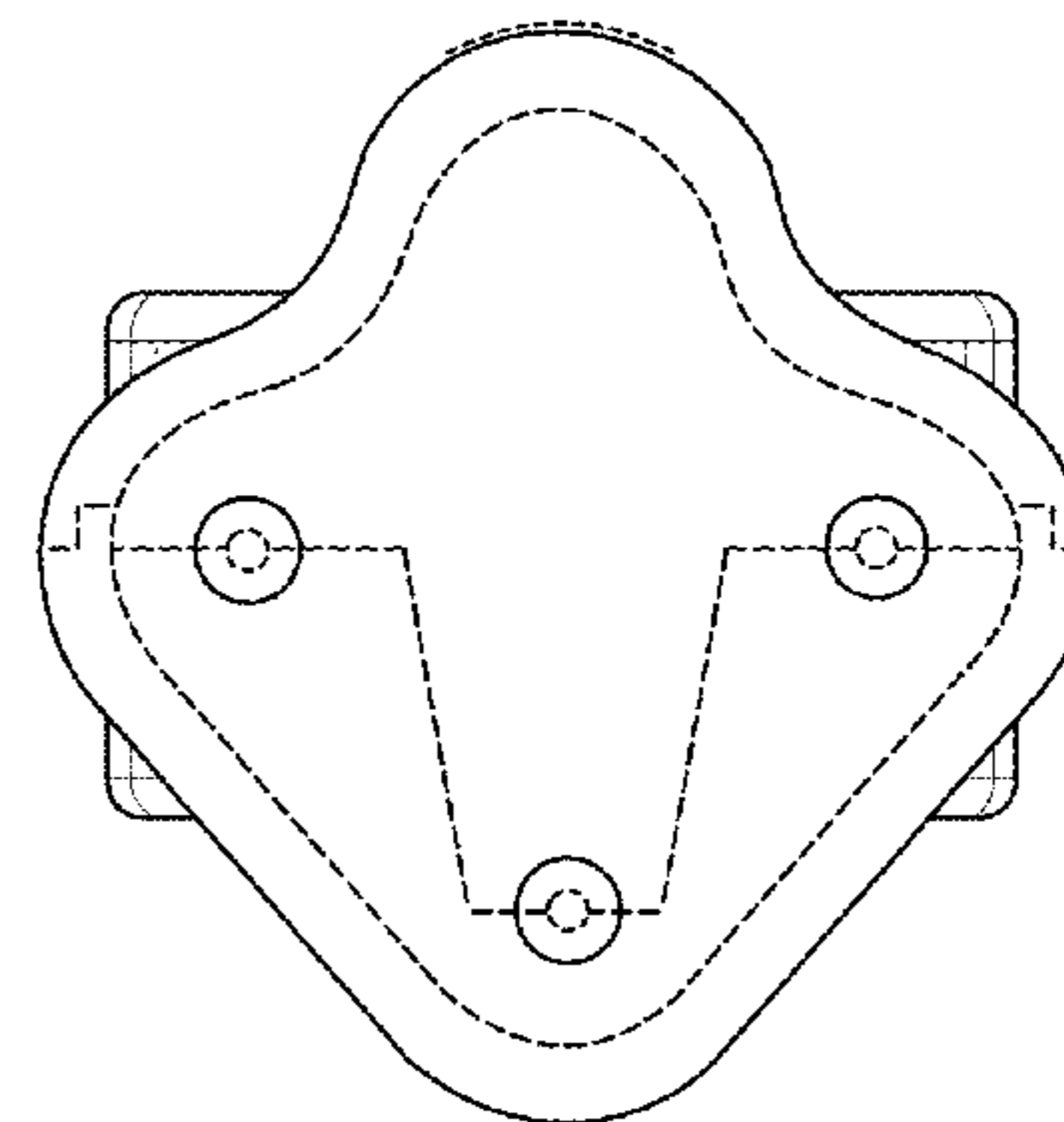
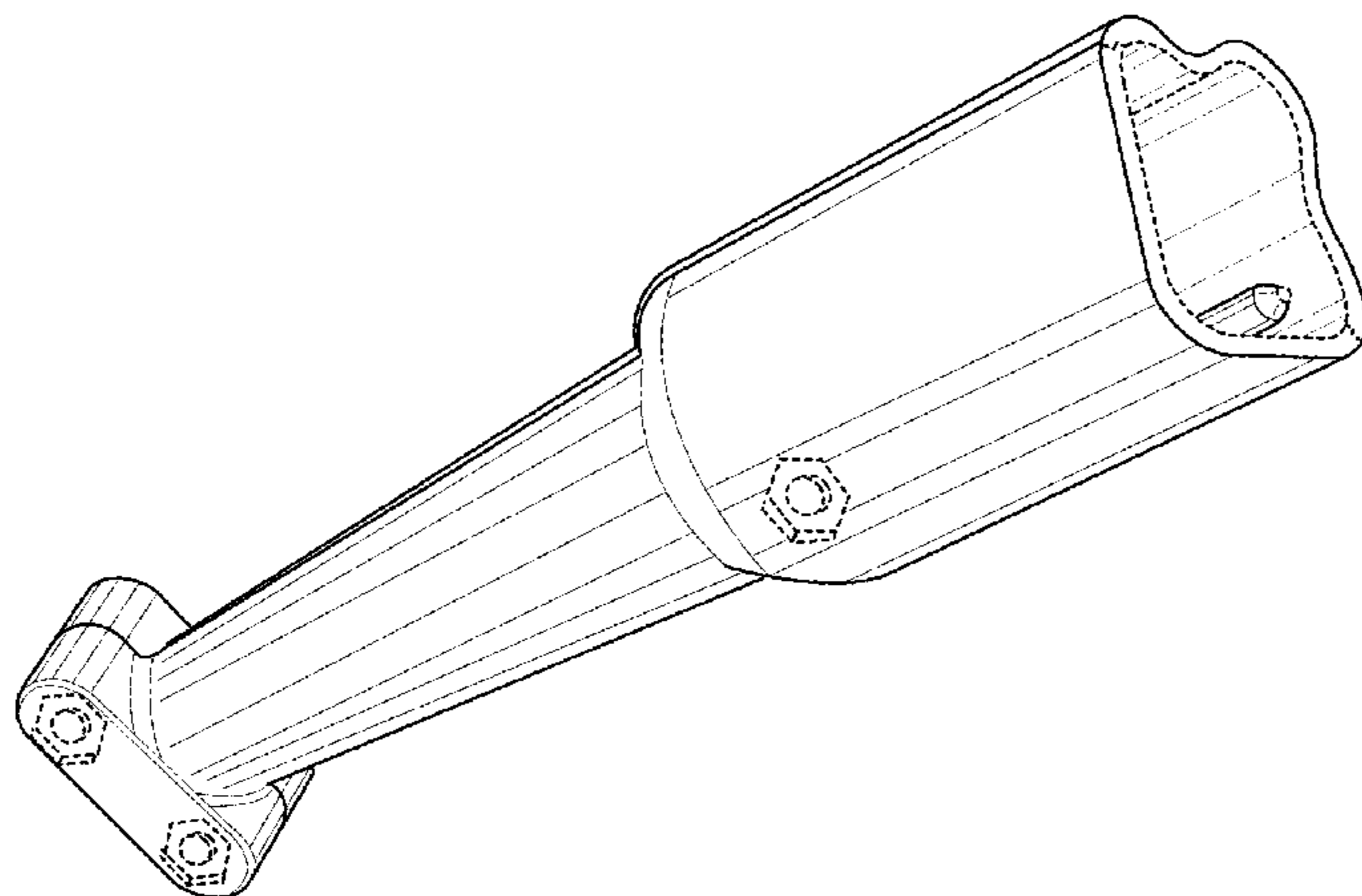
(57) **CLAIM**

The ornamental design for a cable connector, as shown and described.

DESCRIPTION

FIG. 1 is a top, left perspective view of a cable connector showing my new design;
FIG. 2 is bottom, right side perspective view thereof;
FIG. 3 is a front elevation view thereof, the back elevation view being a mirror image of the front;
FIG. 4 is a top plan view thereof;
FIG. 5 is a bottom plan view thereof;
FIG. 6 is a left side elevation view thereof; and,
FIG. 7 is a right side elevation view thereof.
The broken lines in the drawing views are included for the purposes of illustrating environment and form no part of the claimed design.

1 Claim, 3 Drawing Sheets



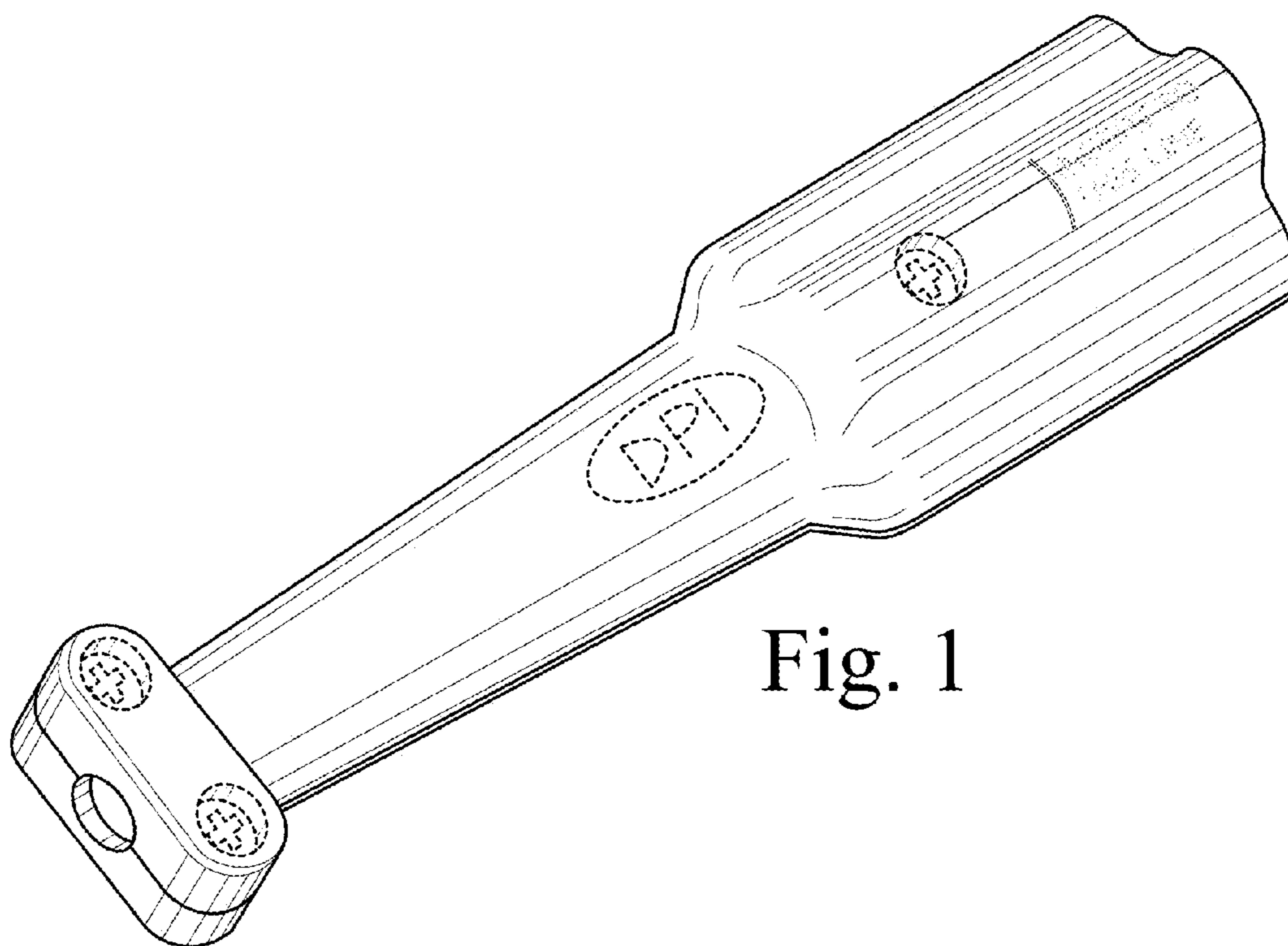


Fig. 1

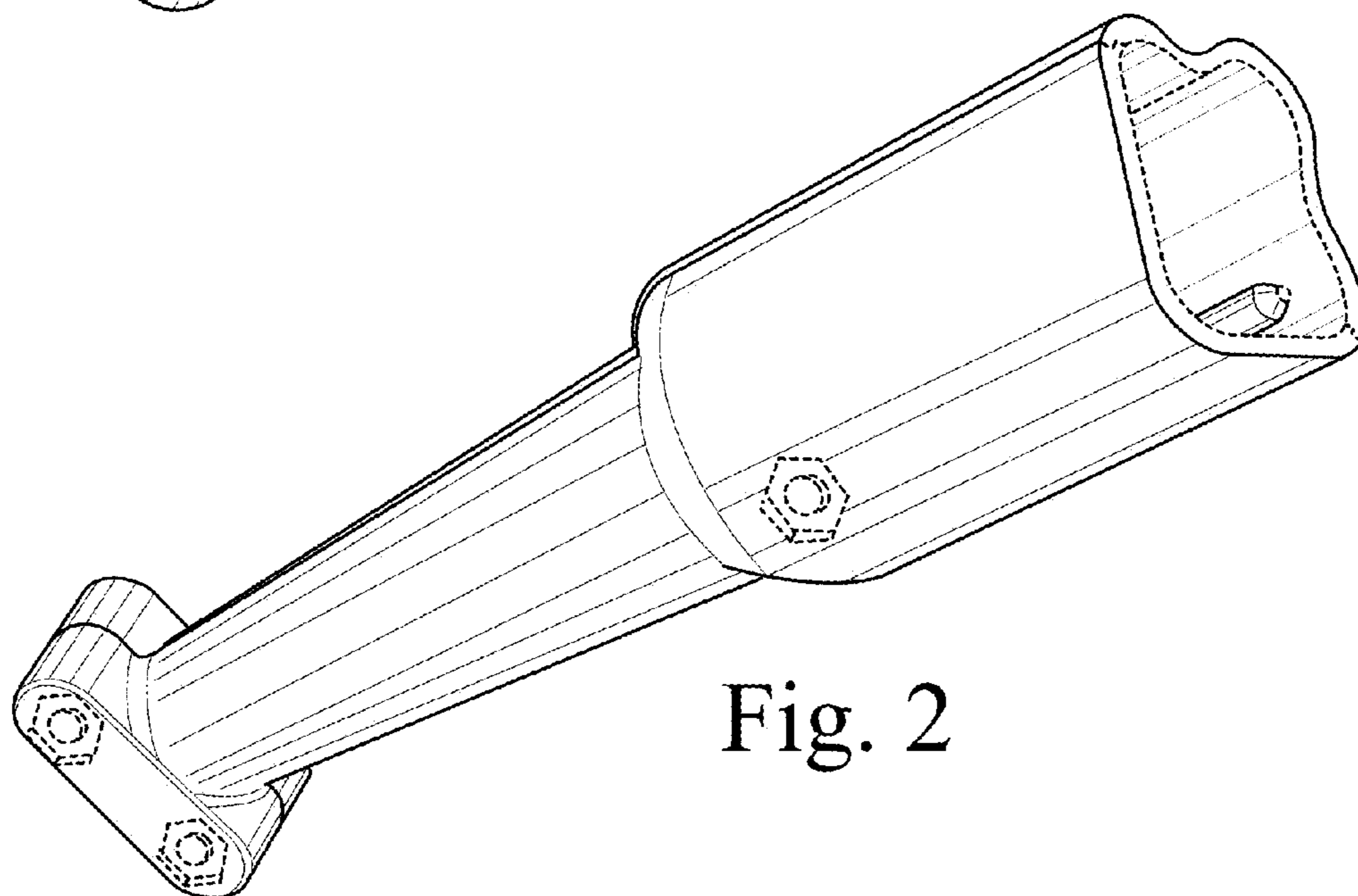


Fig. 2

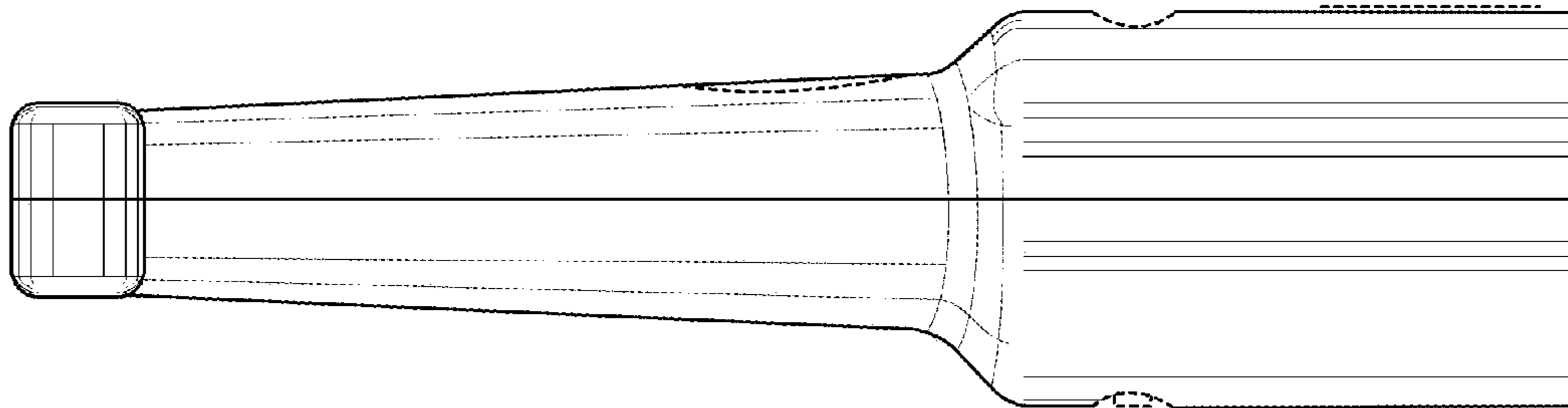


Fig. 3

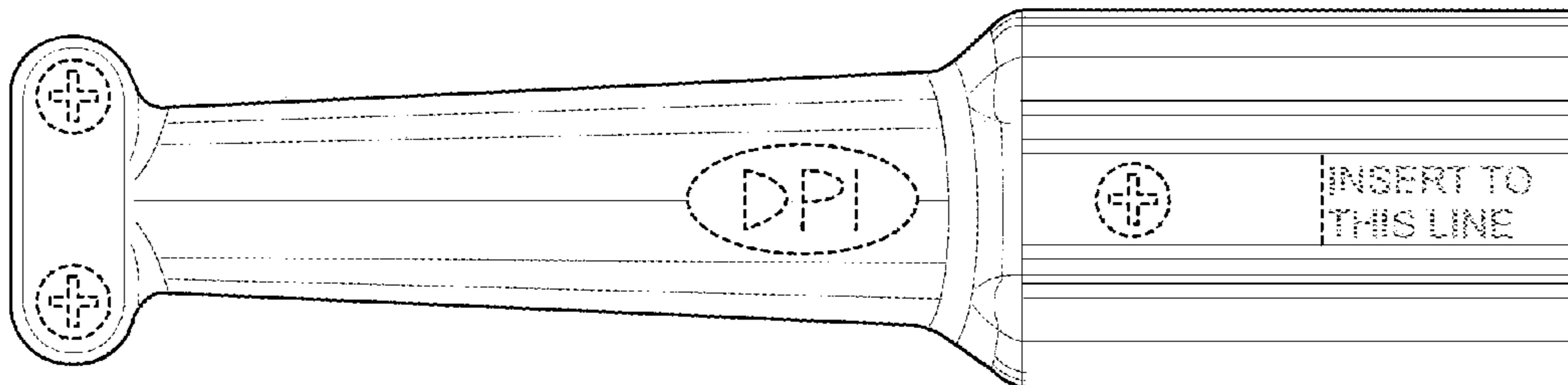


Fig. 4

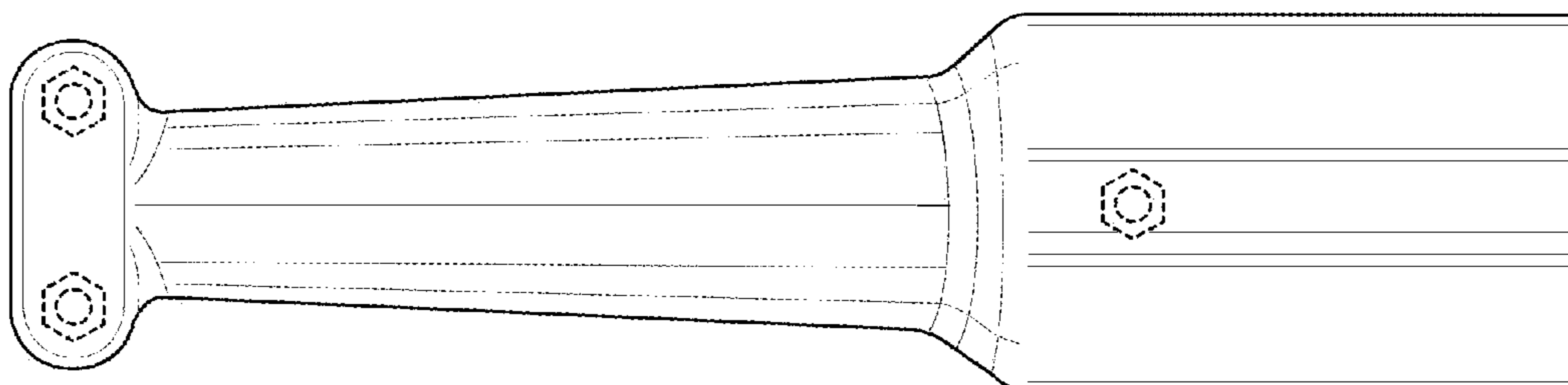


Fig. 5

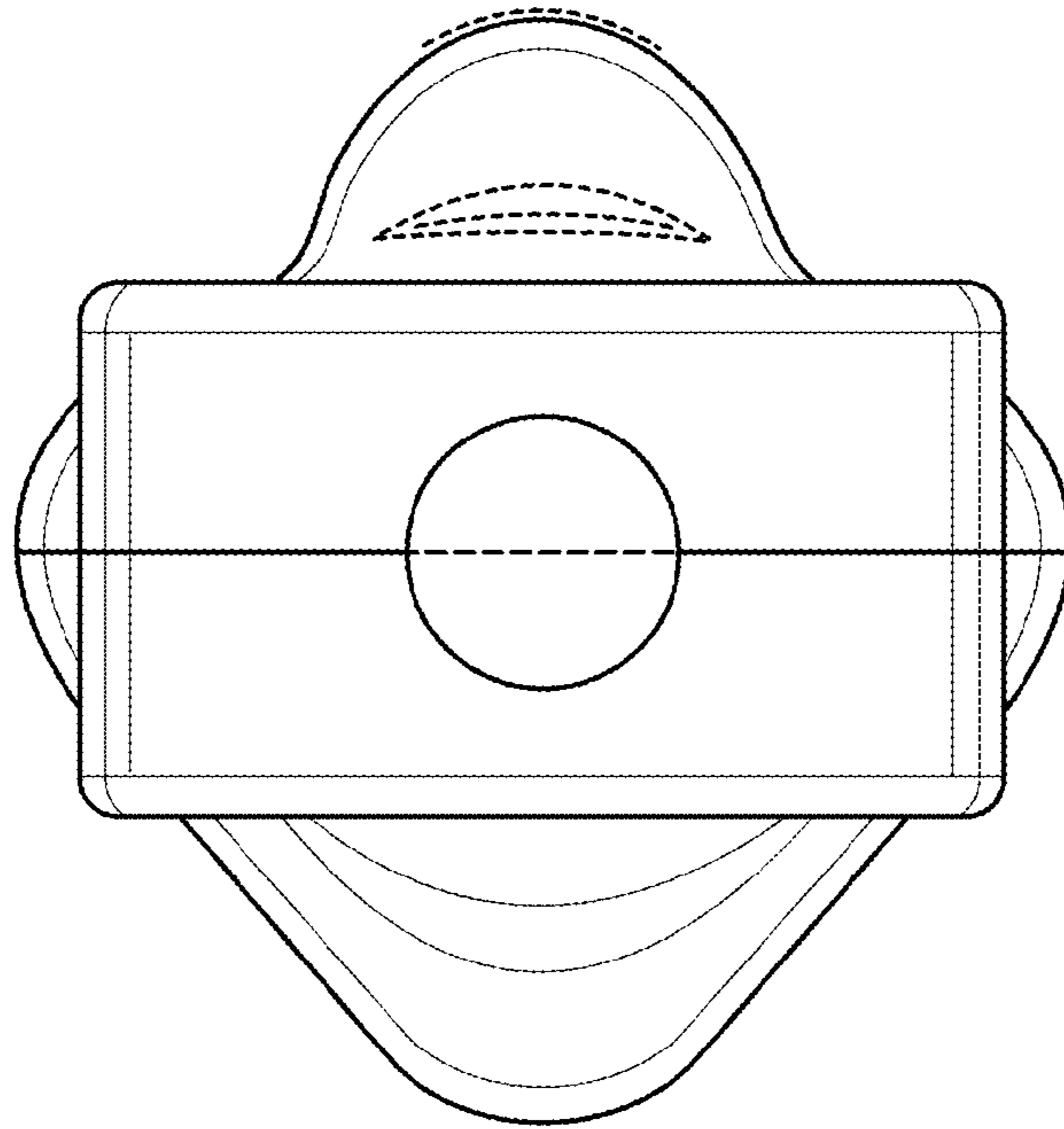


Fig. 6

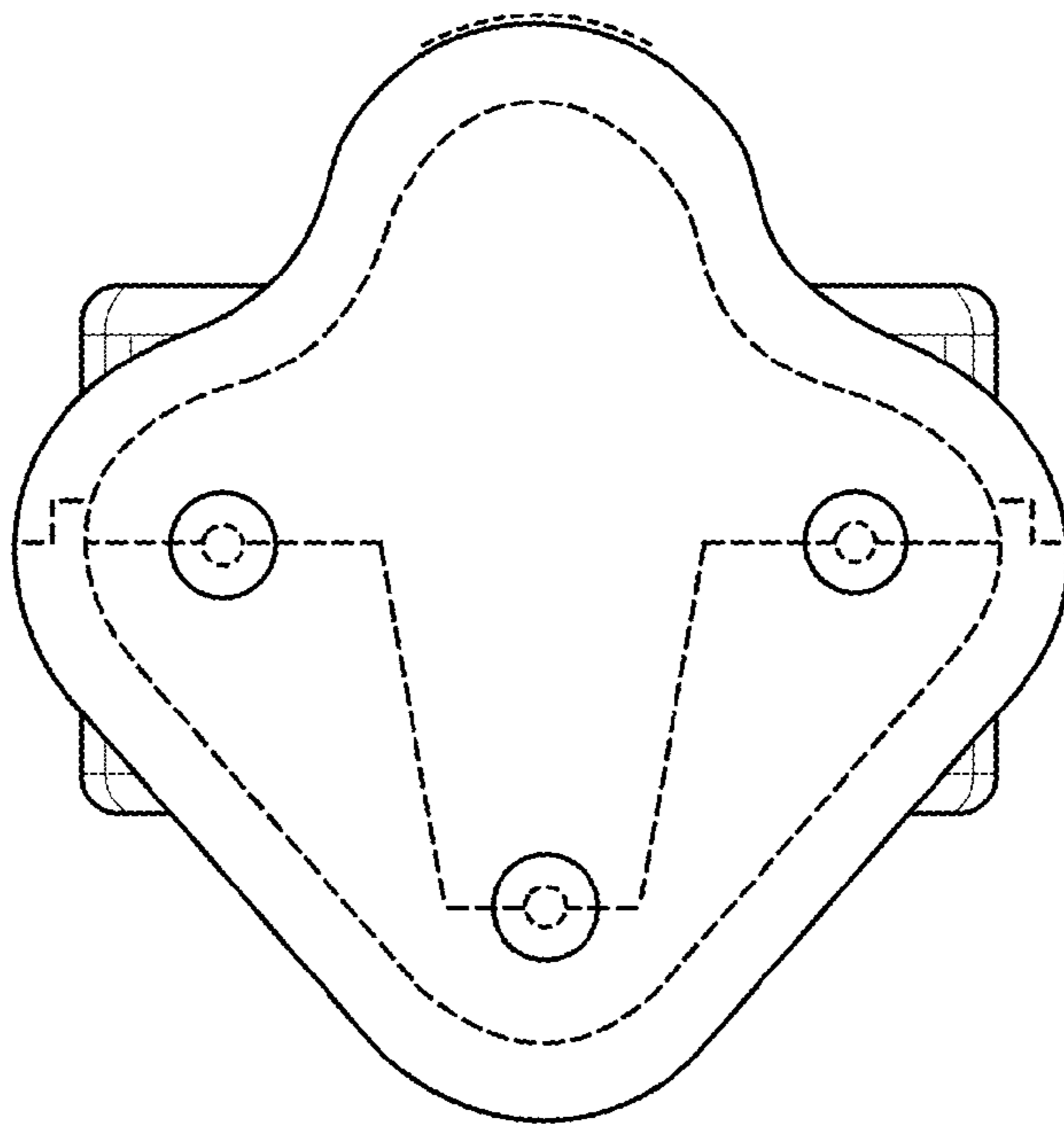


Fig. 7