



US00D744423S

(12) **United States Design Patent**
Junko et al.

(10) **Patent No.:** **US D744,423 S**

(45) **Date of Patent:** **** Dec. 1, 2015**

(54) **PROTECTIVE WIRING DEVICE**

(71) Applicant: **Pass & Seymour, Inc.**, Syracuse, NY
(US)

(72) Inventors: **Theodore Junko**, Manlius, NY (US);
Taesuk Yang, Wallingford, CT (US);
William Timmons, Baldwinsville, NY
(US); **Richard Weeks**, Little York, NY
(US); **Phillip Prestigomo**, Simsbury, CT
(US)

(73) Assignee: **Pass & Seymour, Inc.**, Syracuse, NY
(US)

(**) Term: **14 Years**

(21) Appl. No.: **29/493,506**

(22) Filed: **Jun. 10, 2014**

(51) **LOC (10) Cl.** **13-03**

(52) **U.S. Cl.**
USPC **D13/139.1; D26/26**

(58) **Field of Classification Search**
USPC D13/139.1, 139.3, 171, 174
CPC H01H 23/04; H01H 71/04; H01H 83/04;
H01R 13/506; H01R 13/508; H01R 13/7135;
H02G 3/08612; H02G 3/14; H02G 3/18
See application file for complete search history.

(56) **References Cited**

U.S. PATENT DOCUMENTS

3,588,489	A *	6/1971	Gaines	362/95
D430,539	S *	9/2000	Leopold et al.	D13/139.3
6,199,264	B1 *	3/2001	Marcou et al.	29/593
D515,959	S *	2/2006	Nelson et al.	D10/114.1
7,034,224	B2 *	4/2006	Kim et al.	174/53
D521,932	S	5/2006	Fort et al.		
D531,121	S	10/2006	Fort et al.		
D536,305	S	2/2007	Fort et al.		
D545,272	S *	6/2007	Zhang et al.	D13/139.3
7,285,721	B1 *	10/2007	Savicki, Jr.	174/50
7,315,437	B2 *	1/2008	Bonilla et al.	361/42
D598,859	S	8/2009	Vaccaro et al.		

7,619,861	B2 *	11/2009	Weeks et al.	361/42
7,645,149	B2 *	1/2010	Carbone et al.	439/137
7,790,982	B2 *	9/2010	Weeks et al.	174/50

(Continued)

Primary Examiner — Selina Sikder

(74) *Attorney, Agent, or Firm* — Daniel P. Malley; Bond
Schoeneck & King, PLLC

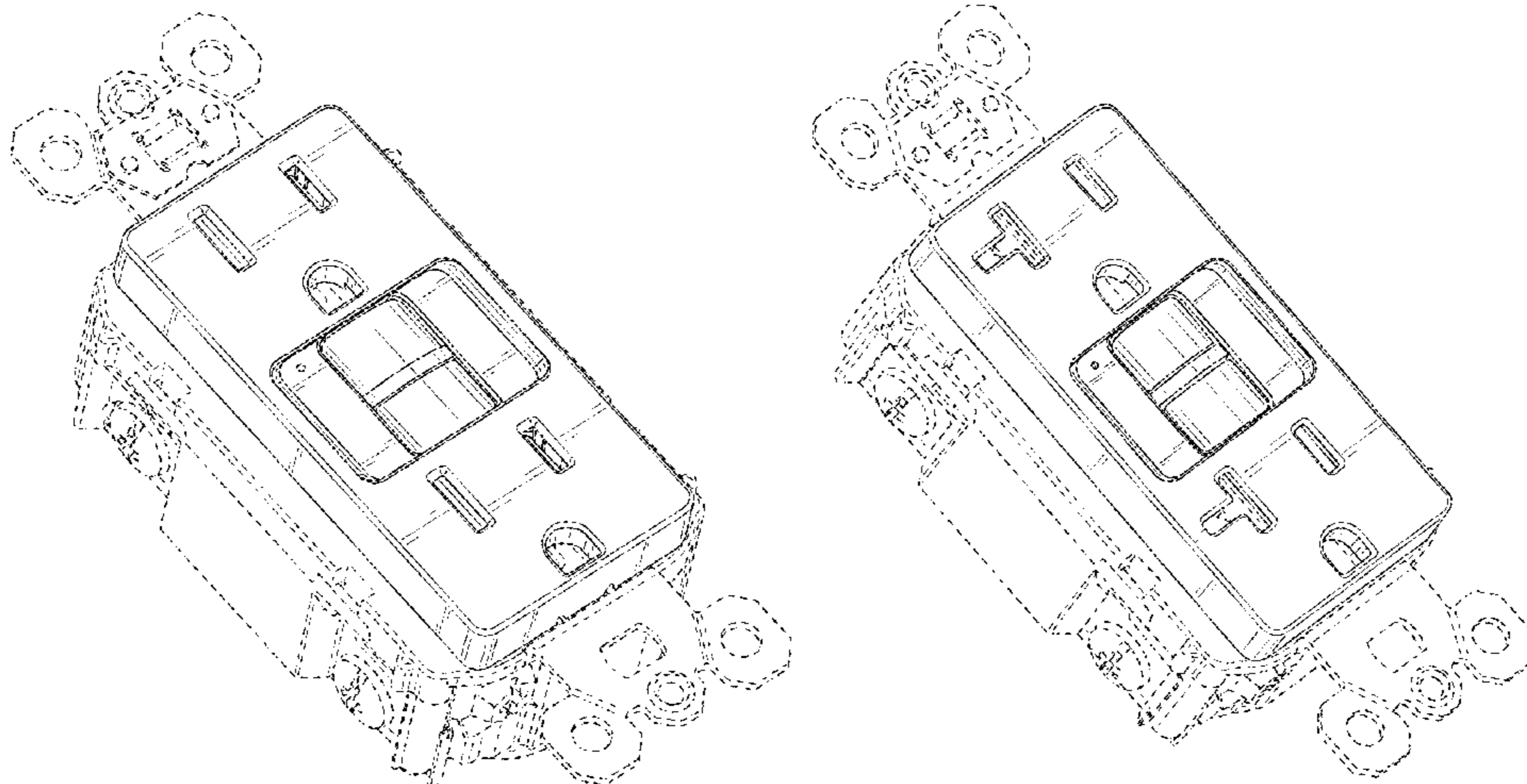
(57) **CLAIM**

The ornamental design for a protective wiring device, as shown and described.

DESCRIPTION

FIG. 1 is a full isometric front view of a protective wiring device showing our new design;
 FIG. 2 is front elevation view thereof;
 FIG. 3 is a left side elevation view, the right side being a mirror image thereof;
 FIG. 4 is a top plan view, the bottom view being a mirror image thereof;
 FIG. 5 is a full isometric front view of a second embodiment of a protective wiring device;
 FIG. 6 is a front elevation view thereof;
 FIG. 7 is a full isometric front view of a third embodiment of a protective wiring device;
 FIG. 8 is a front elevation view thereof;
 FIG. 9 is a full isometric front view of a fourth embodiment of a protective wiring device;
 FIG. 10 is a front elevation view thereof;
 FIG. 11 is a full isometric front view of a fifth embodiment of a protective wiring device;
 FIG. 12 is a front elevation view thereof;
 FIG. 13 is a full isometric front view of a sixth embodiment of a protective wiring device;
 FIG. 14 is a front elevation view thereof;
 FIG. 15 is a full isometric front view of a seventh embodiment of a protective wiring device; and,
 FIG. 16 is a front elevation view thereof.
 The broken lines shown in the drawing views are for illustrative purposes only and form no part of the claimed design.

1 Claim, 8 Drawing Sheets



(56)

References Cited

U.S. PATENT DOCUMENTS

7,862,350 B2 *	1/2011	Richter et al.	439/107	D703,139 S *	4/2014	Dodal et al.	D13/139.1
7,869,171 B2 *	1/2011	Weeks et al.	361/42	D705,734 S	5/2014	Dodal et al.	
7,989,699 B1 *	8/2011	Shotey et al.	174/53	D711,828 S *	8/2014	Mozdzer	D13/139.1
8,120,882 B1 *	2/2012	Radosavljevic et al.	361/42	8,830,015 B2 *	9/2014	Padro et al.	335/18
D674,753 S *	1/2013	Jansen et al.	D13/139.1	2006/0005989 A1 *	1/2006	Swiencicki et al.	174/66
				2008/0073117 A1 *	3/2008	Misener	174/535
				2010/0032180 A1 *	2/2010	Korcz et al.	174/50
				2012/0039086 A1 *	2/2012	Jansen et al.	362/551

* cited by examiner

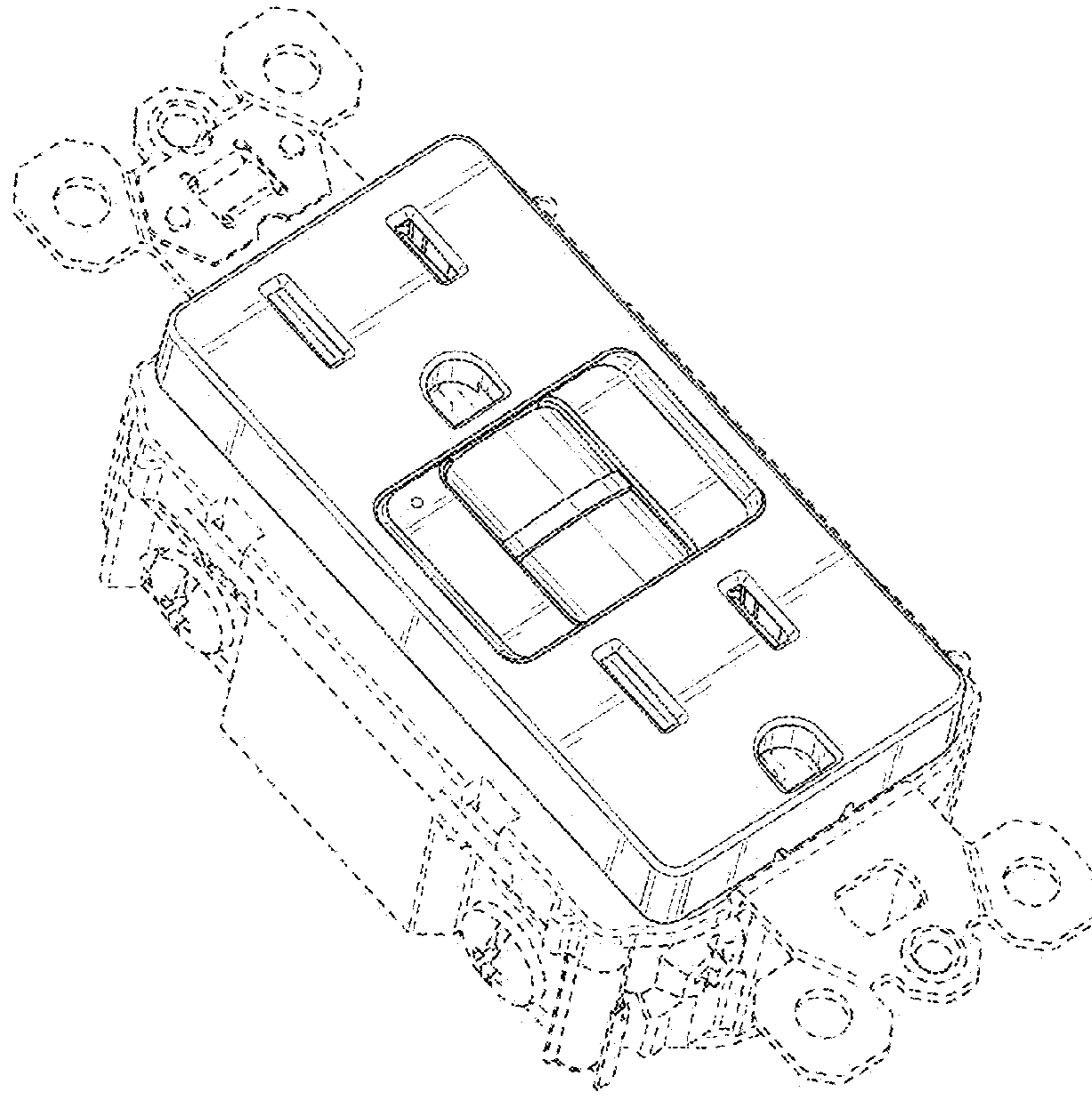


FIG. 1

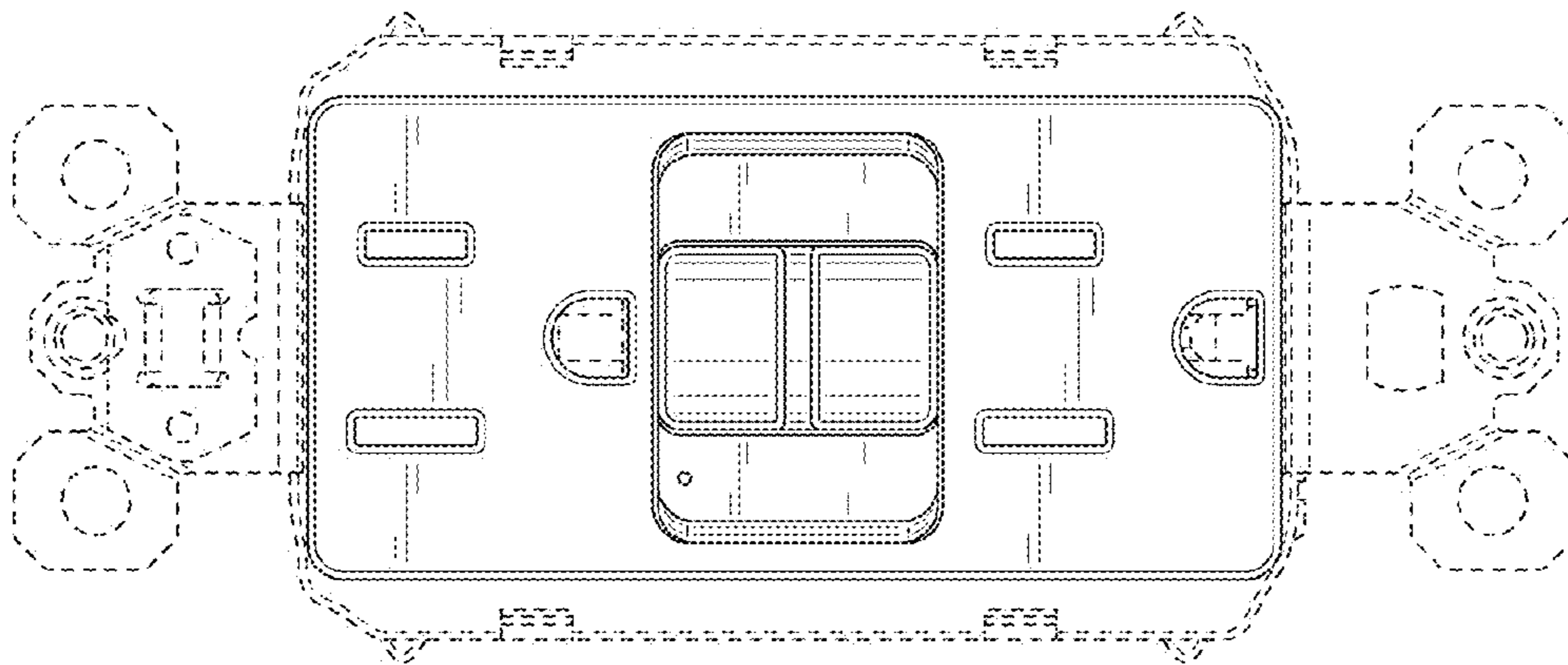


FIG. 2

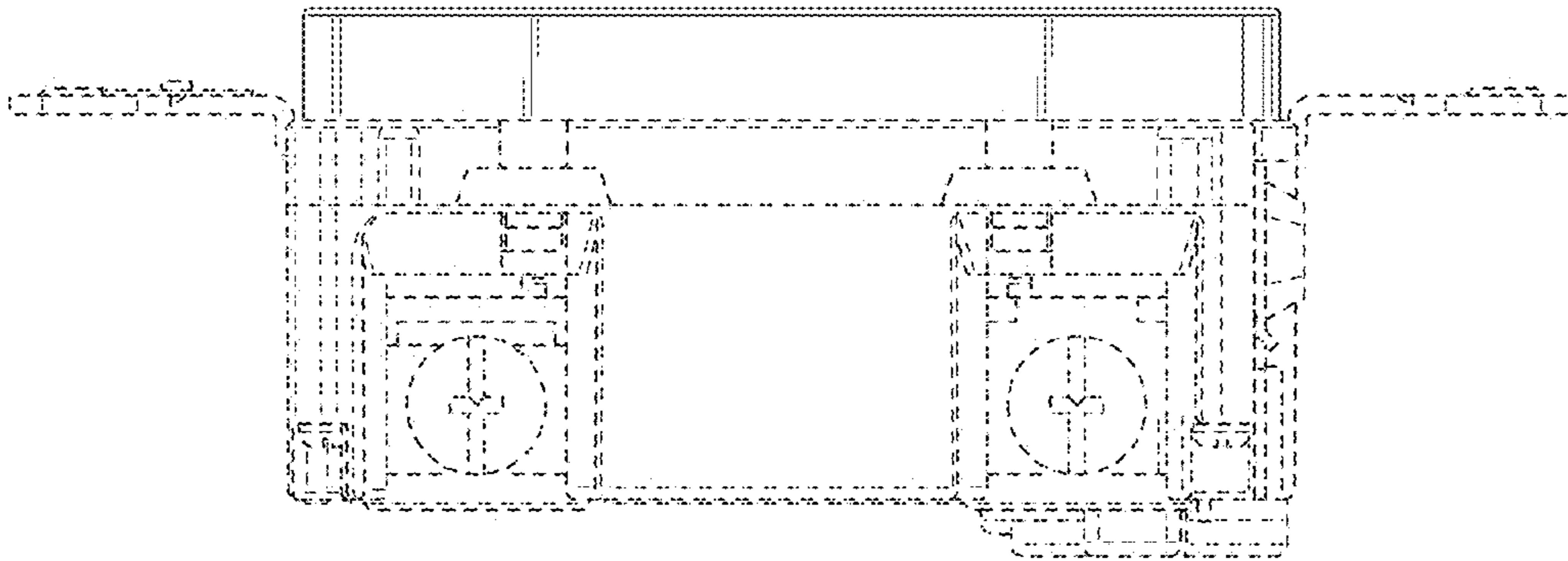


FIG. 3

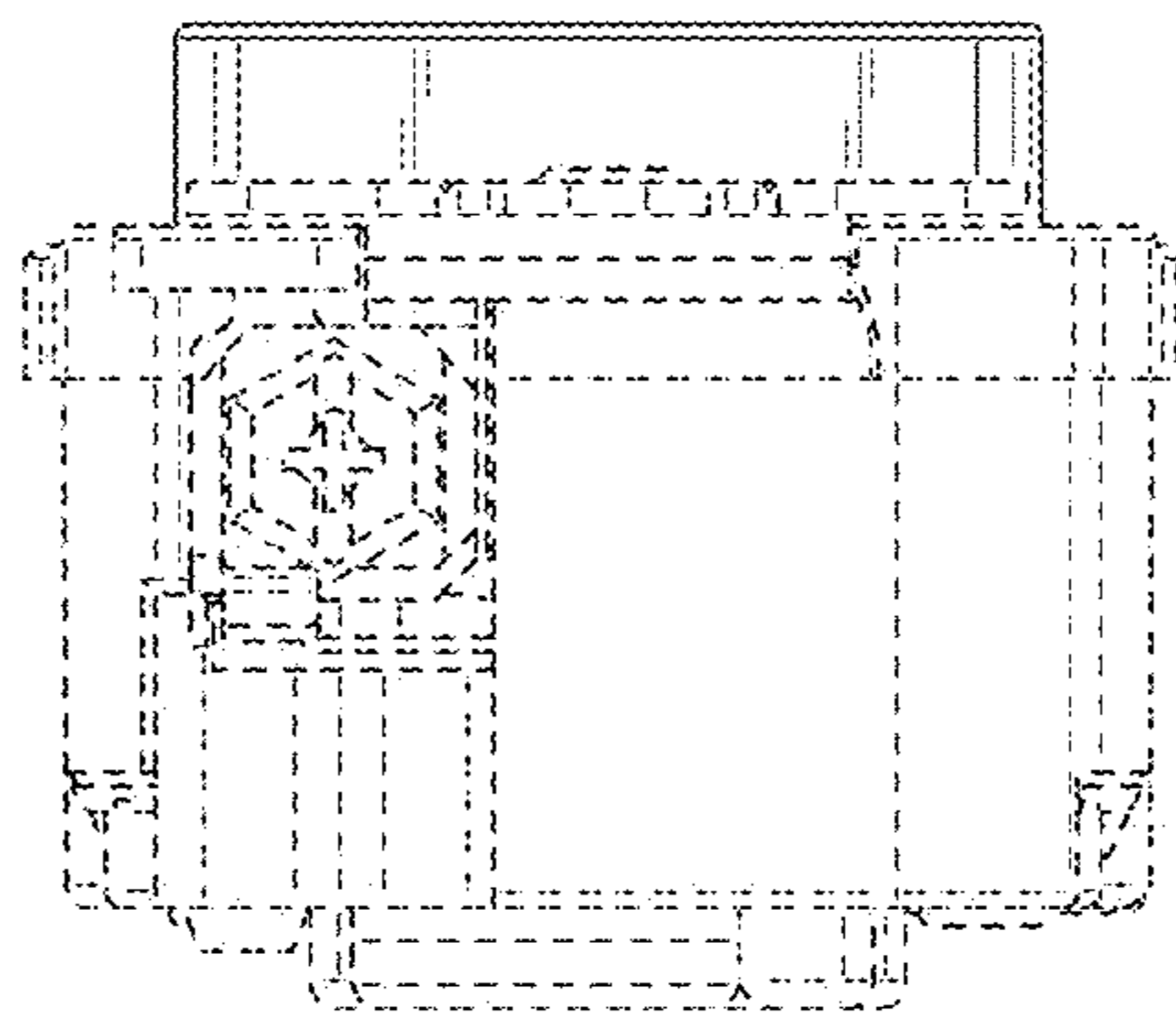


FIG. 4

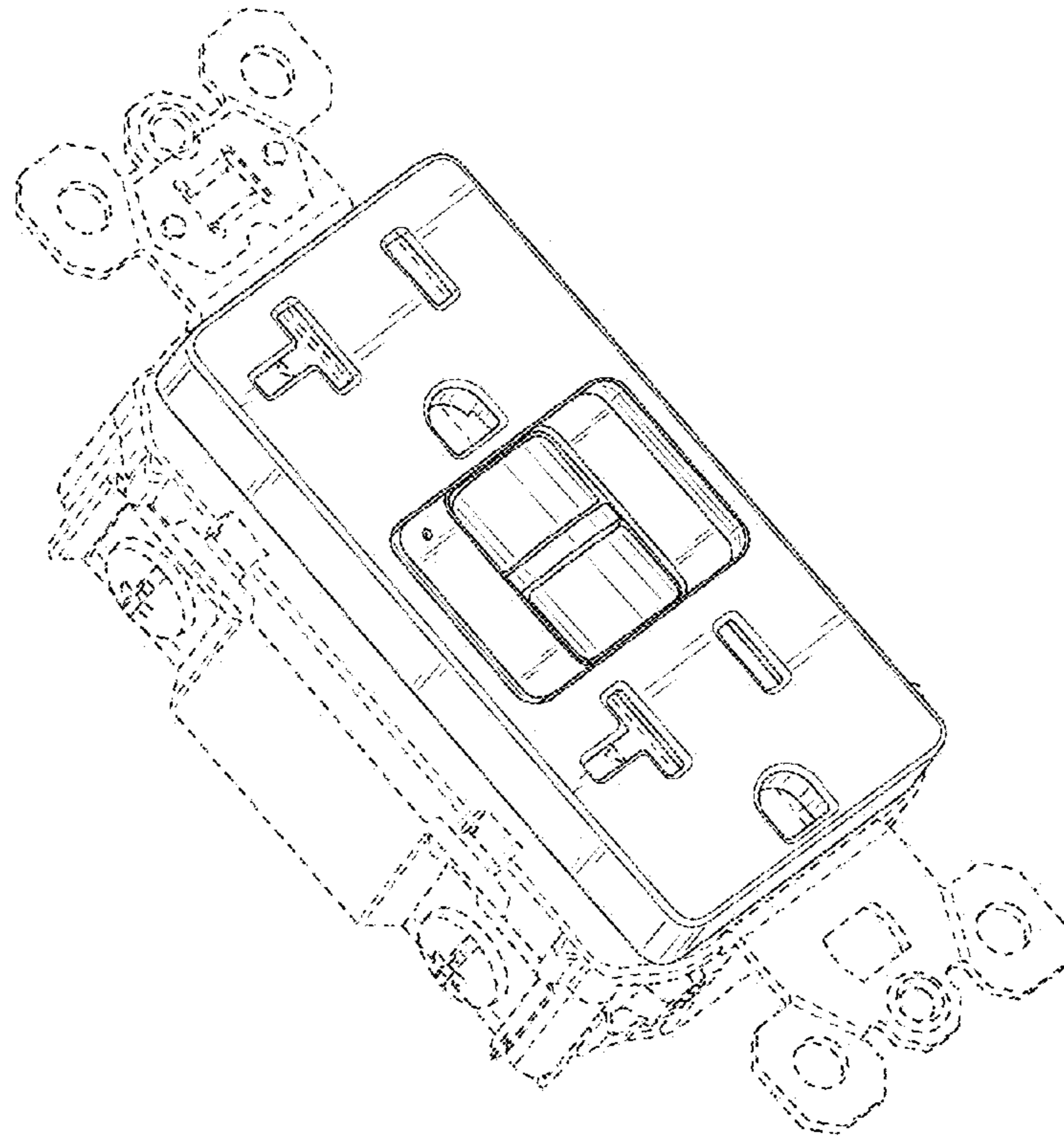


FIG. 5

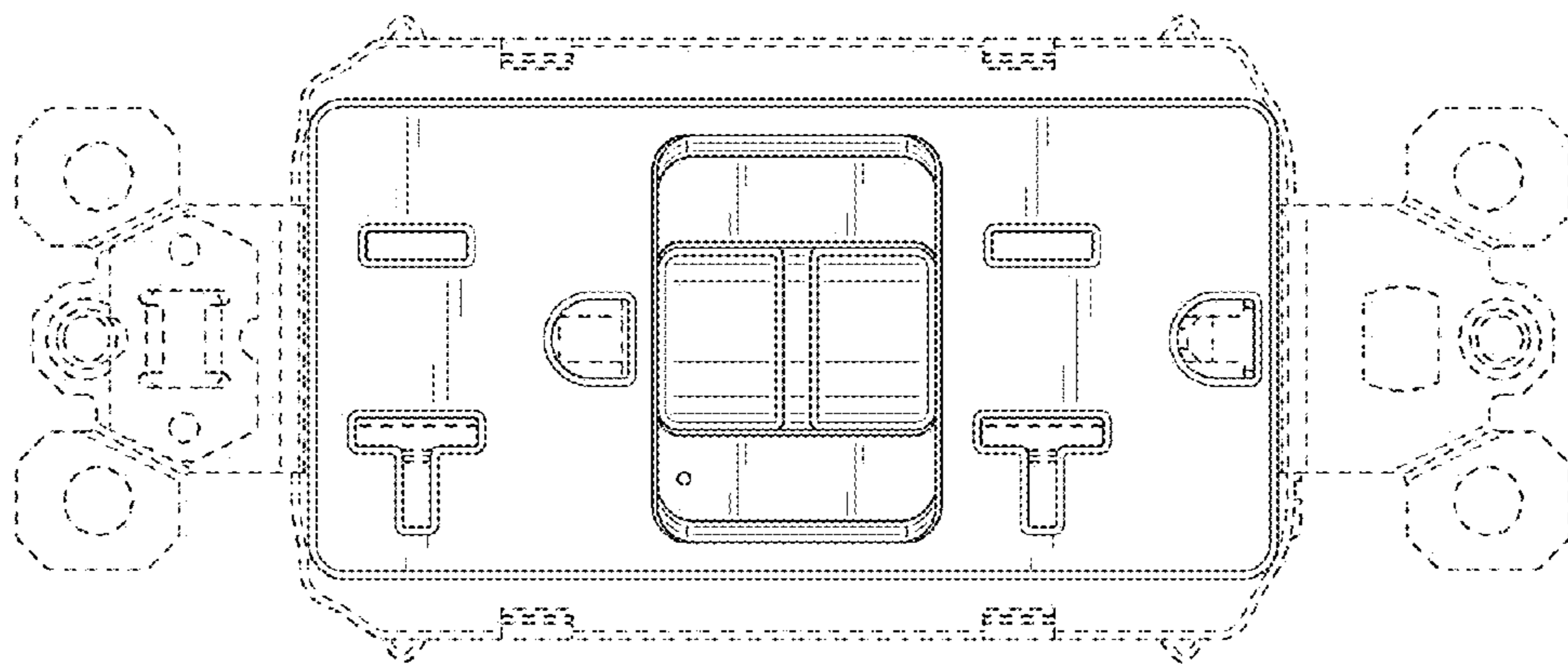


FIG. 6

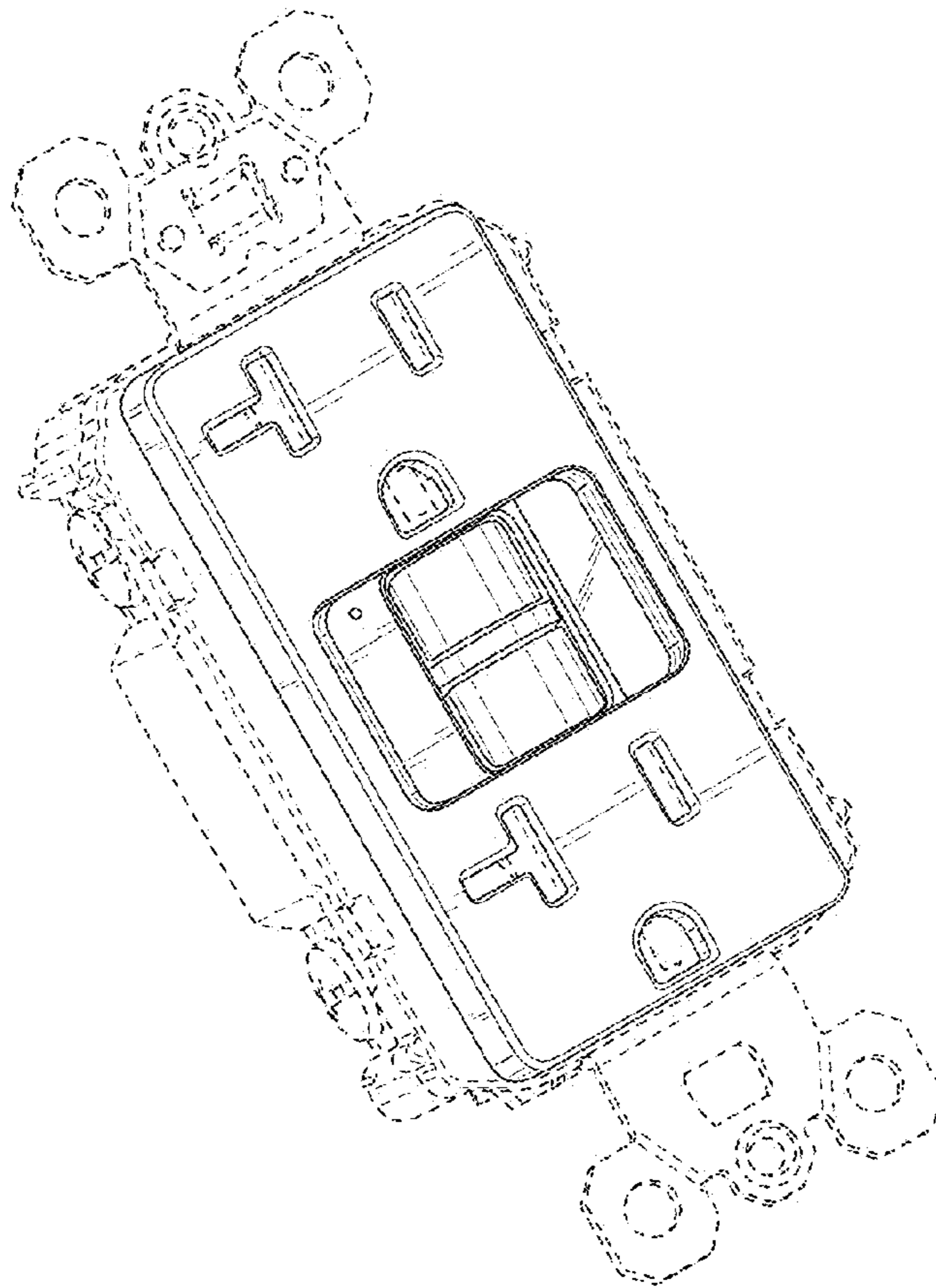


FIG. 7

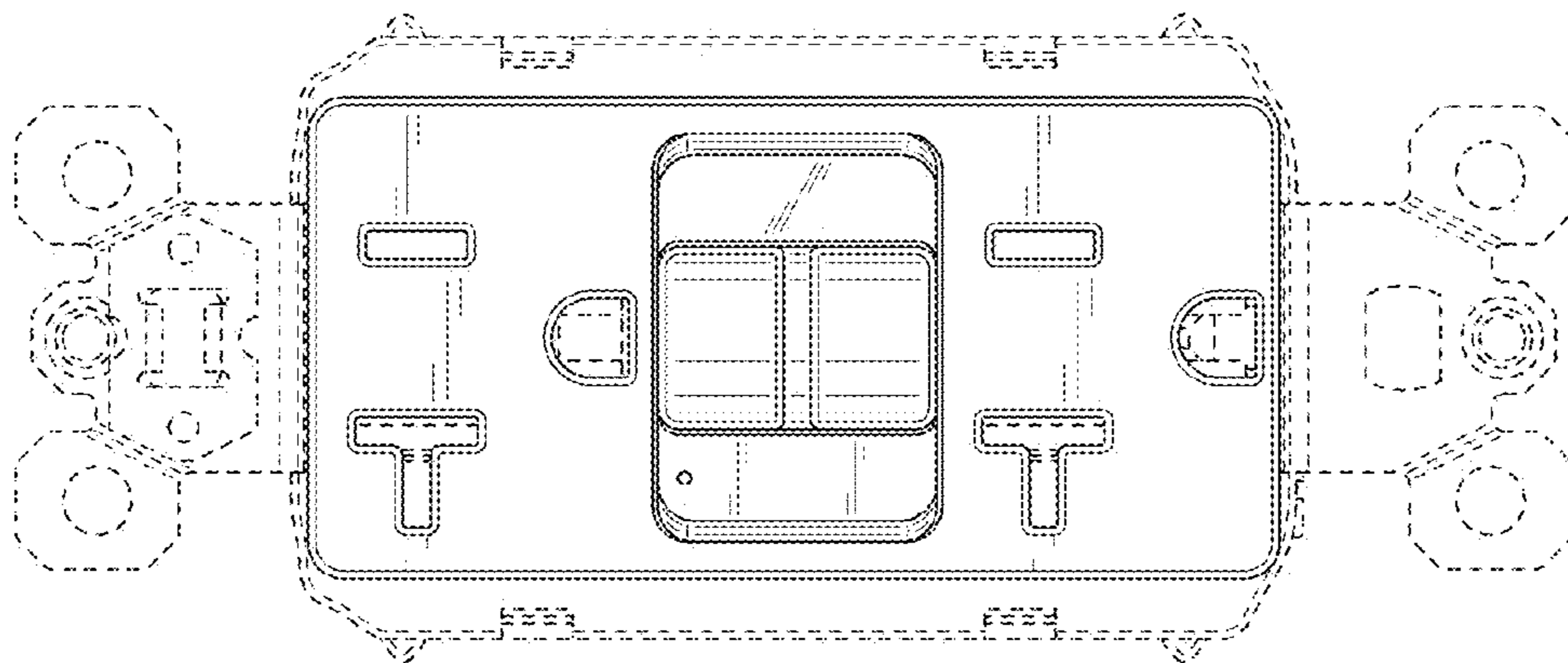


FIG. 8

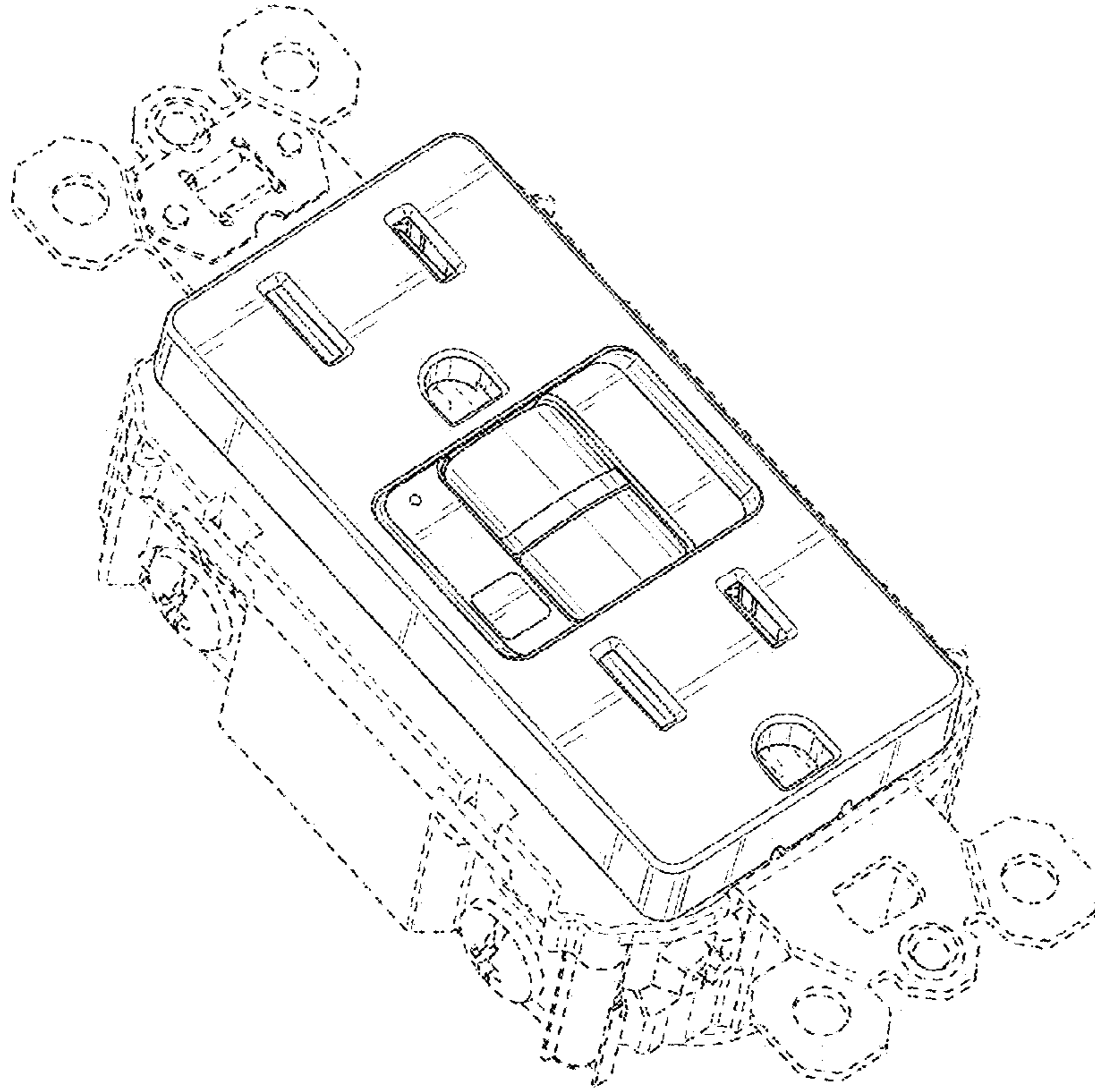


FIG. 9

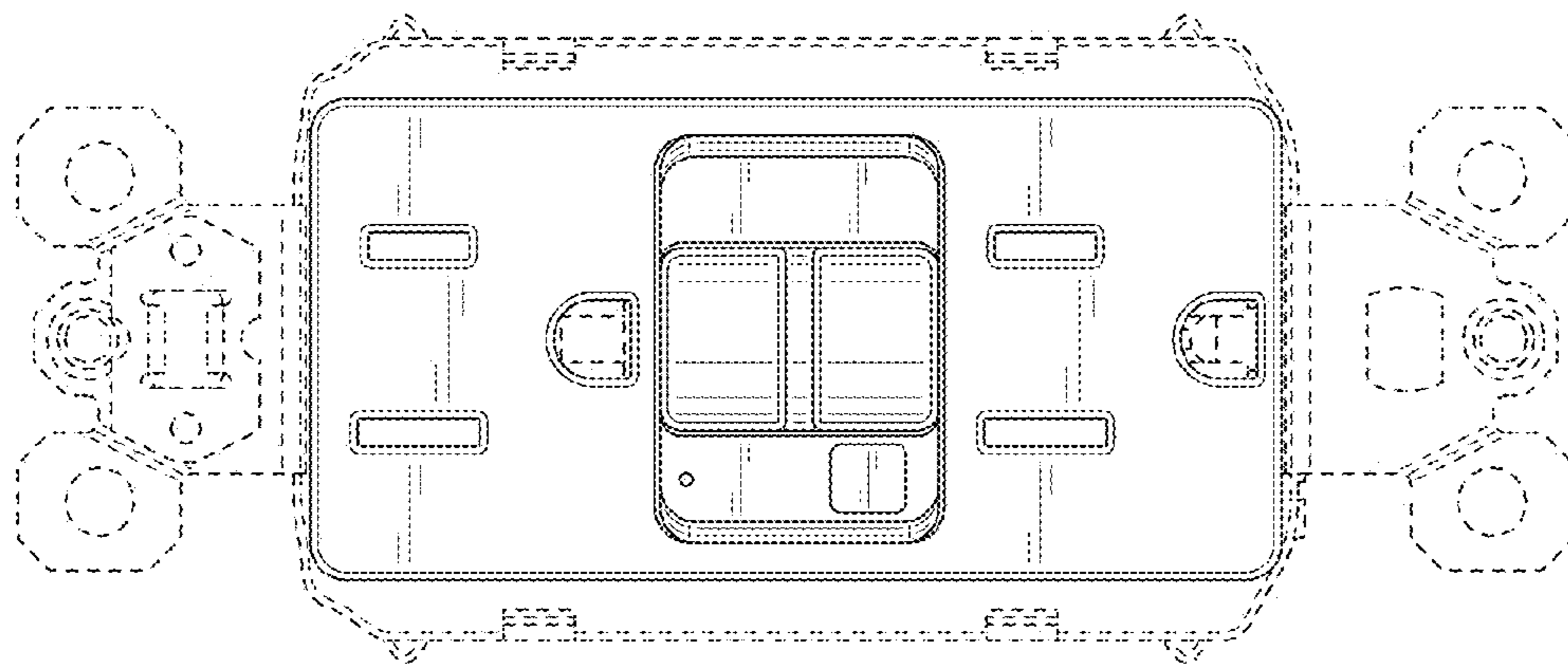


FIG. 10

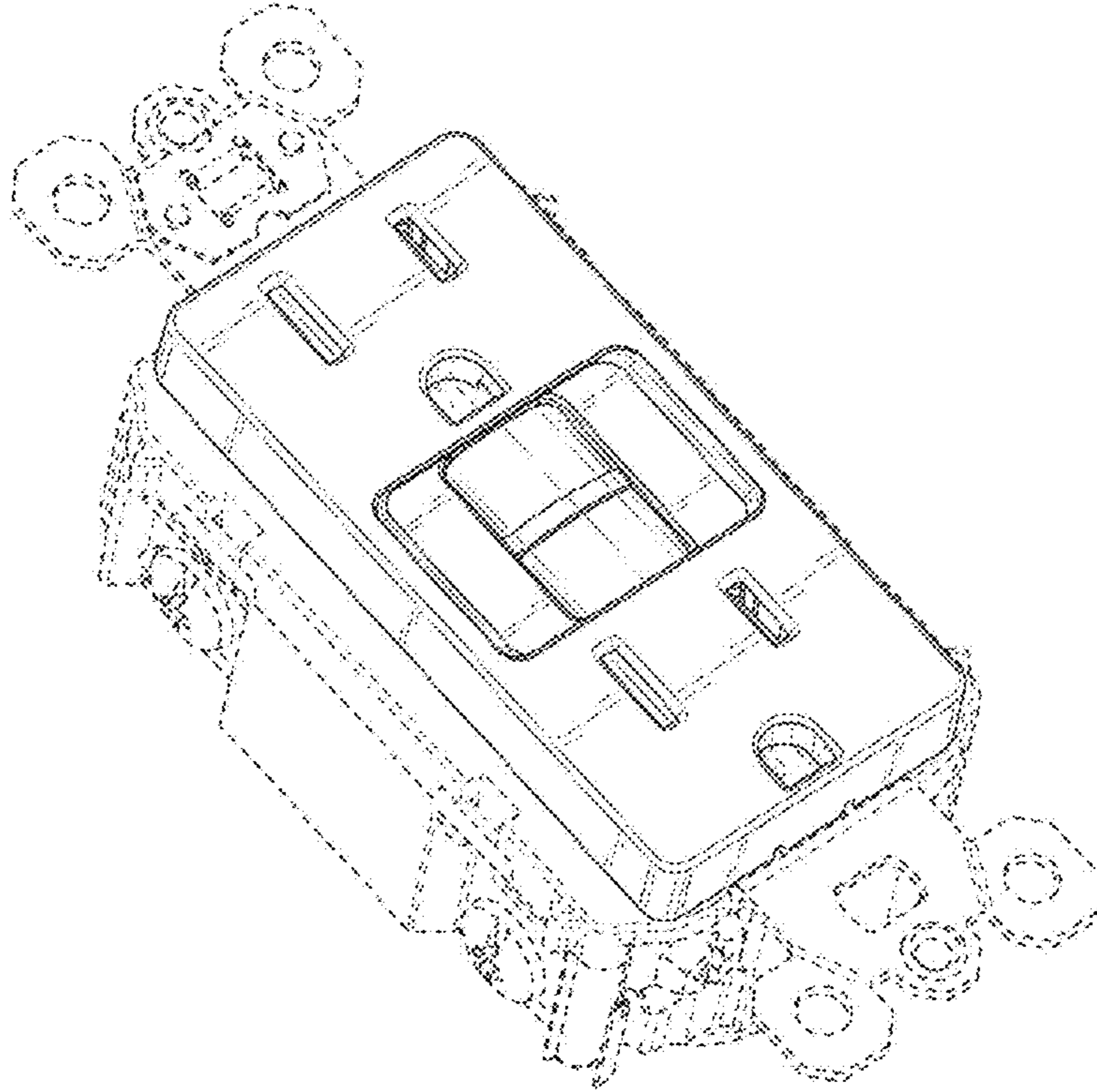


FIG. 11

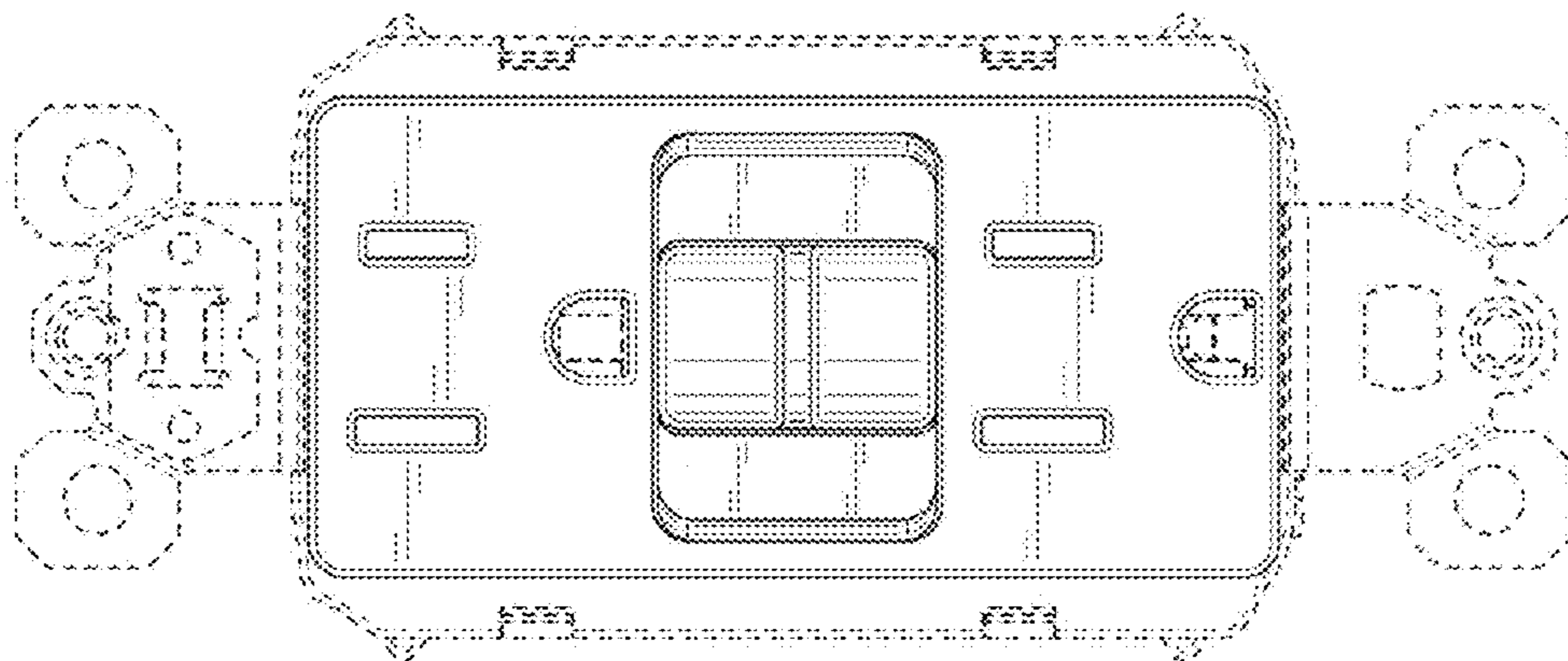


FIG. 12

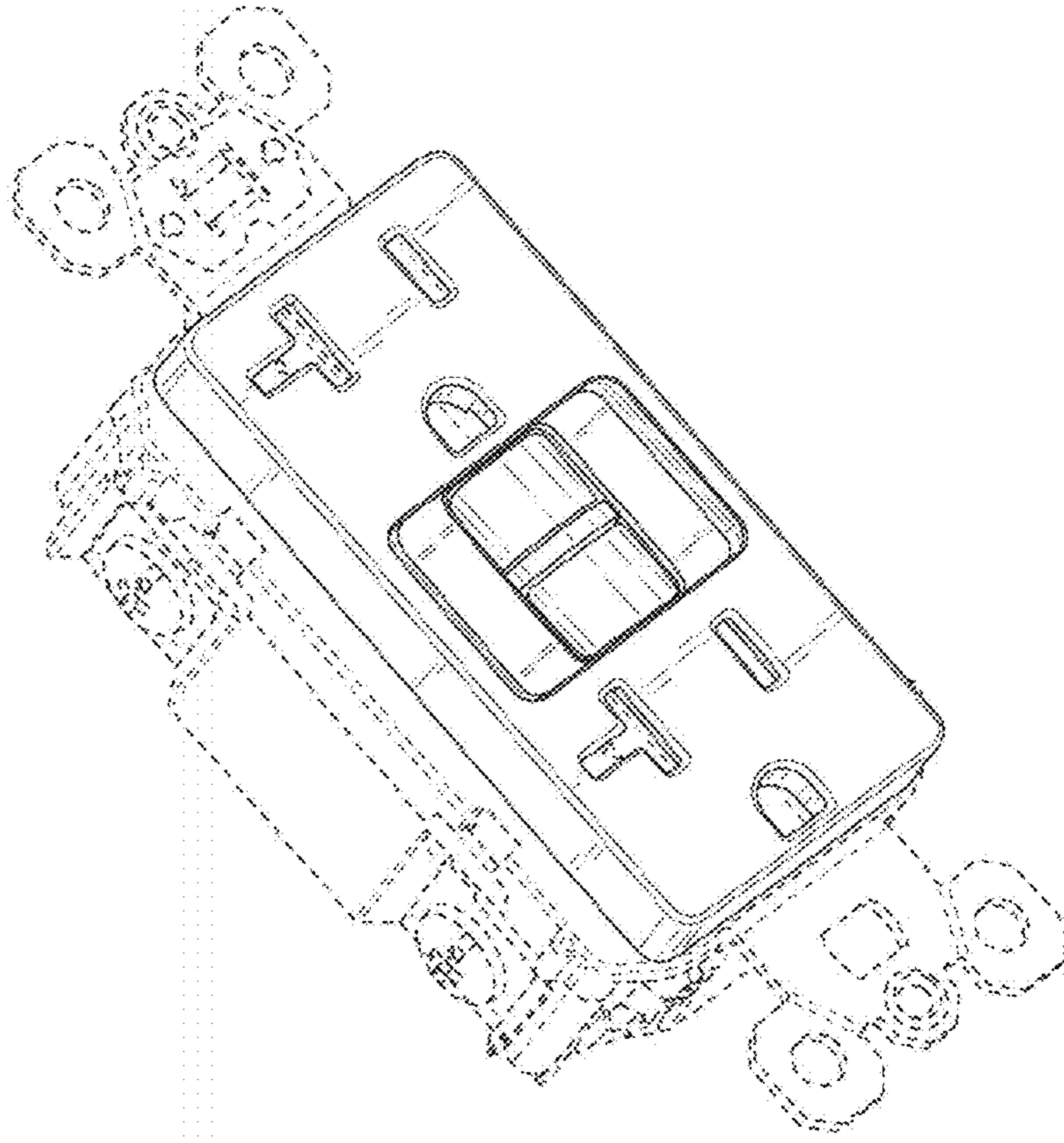


FIG. 13

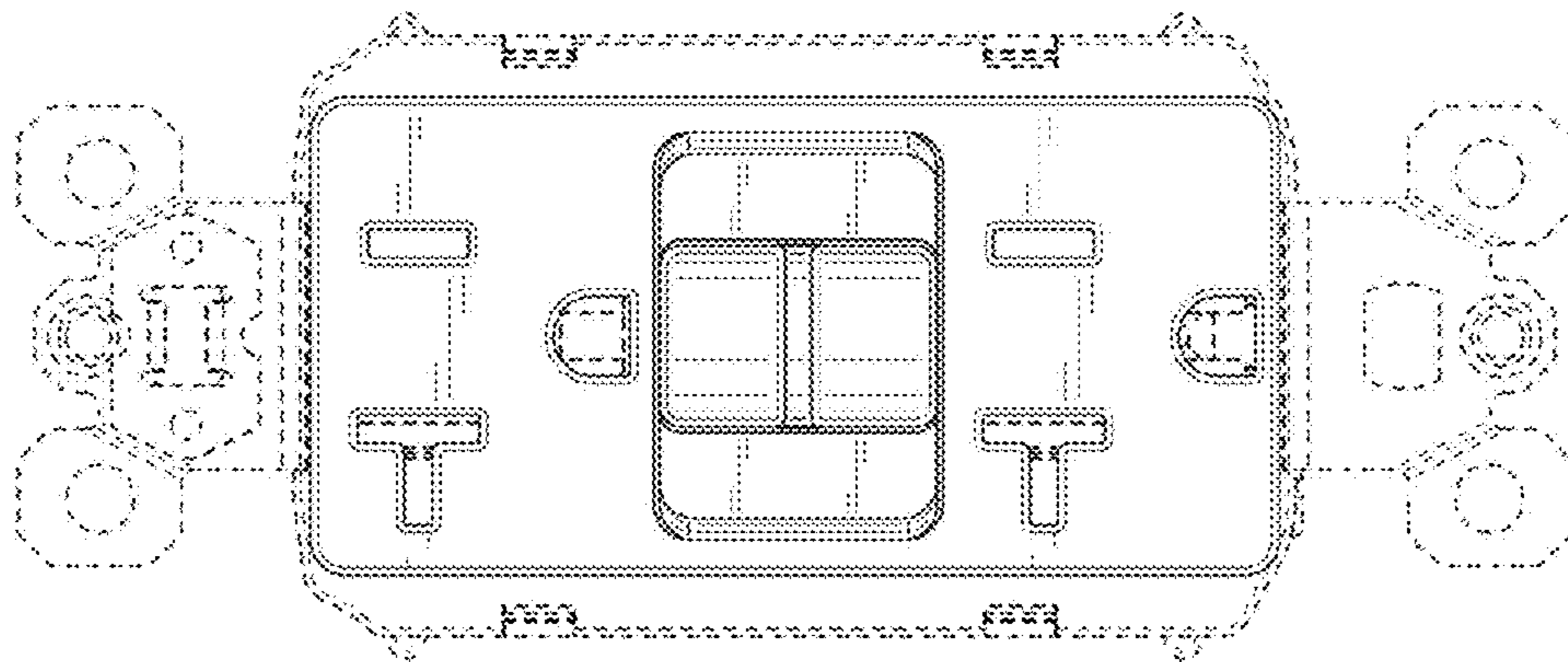


FIG. 14

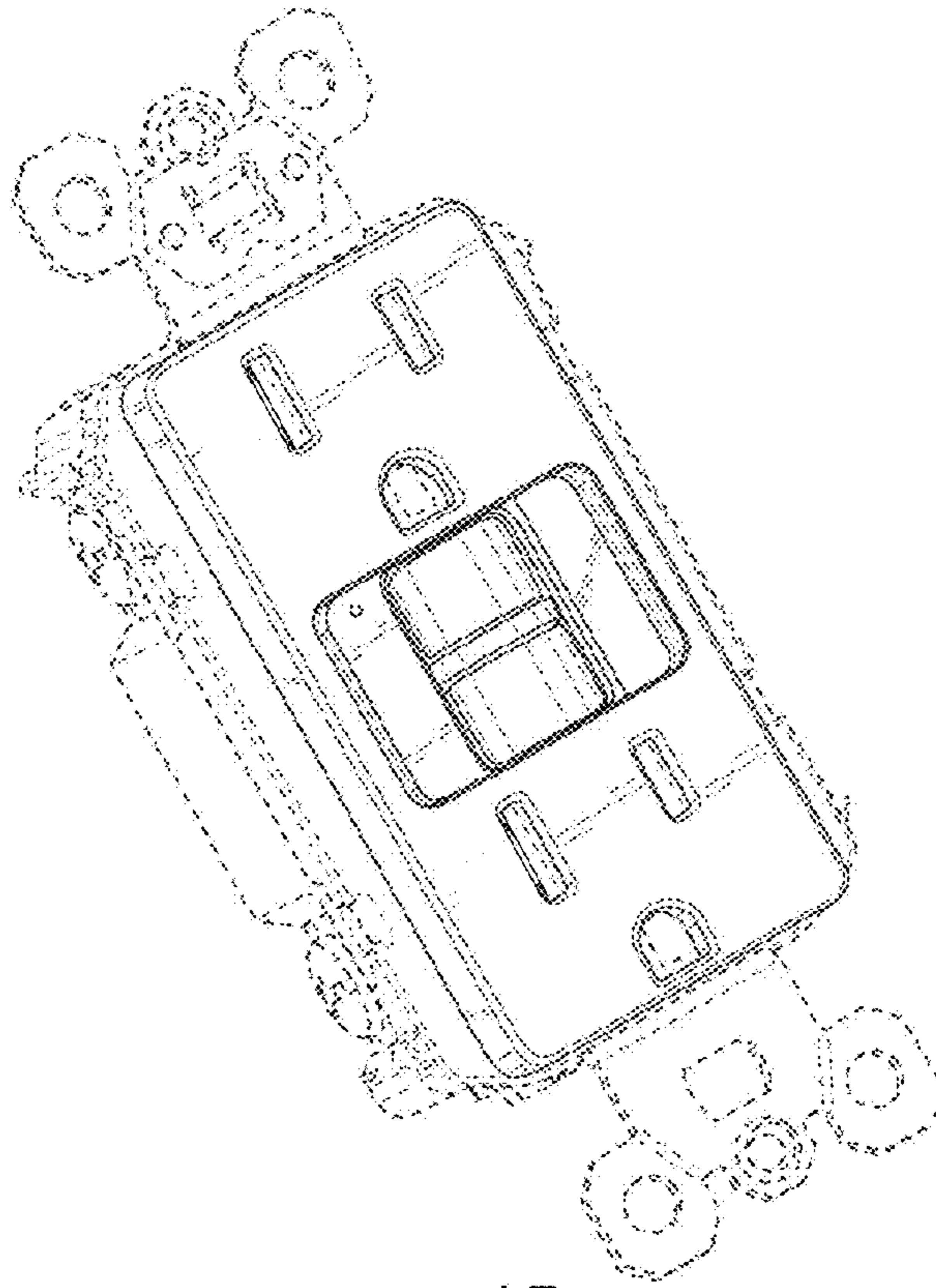


FIG. 15

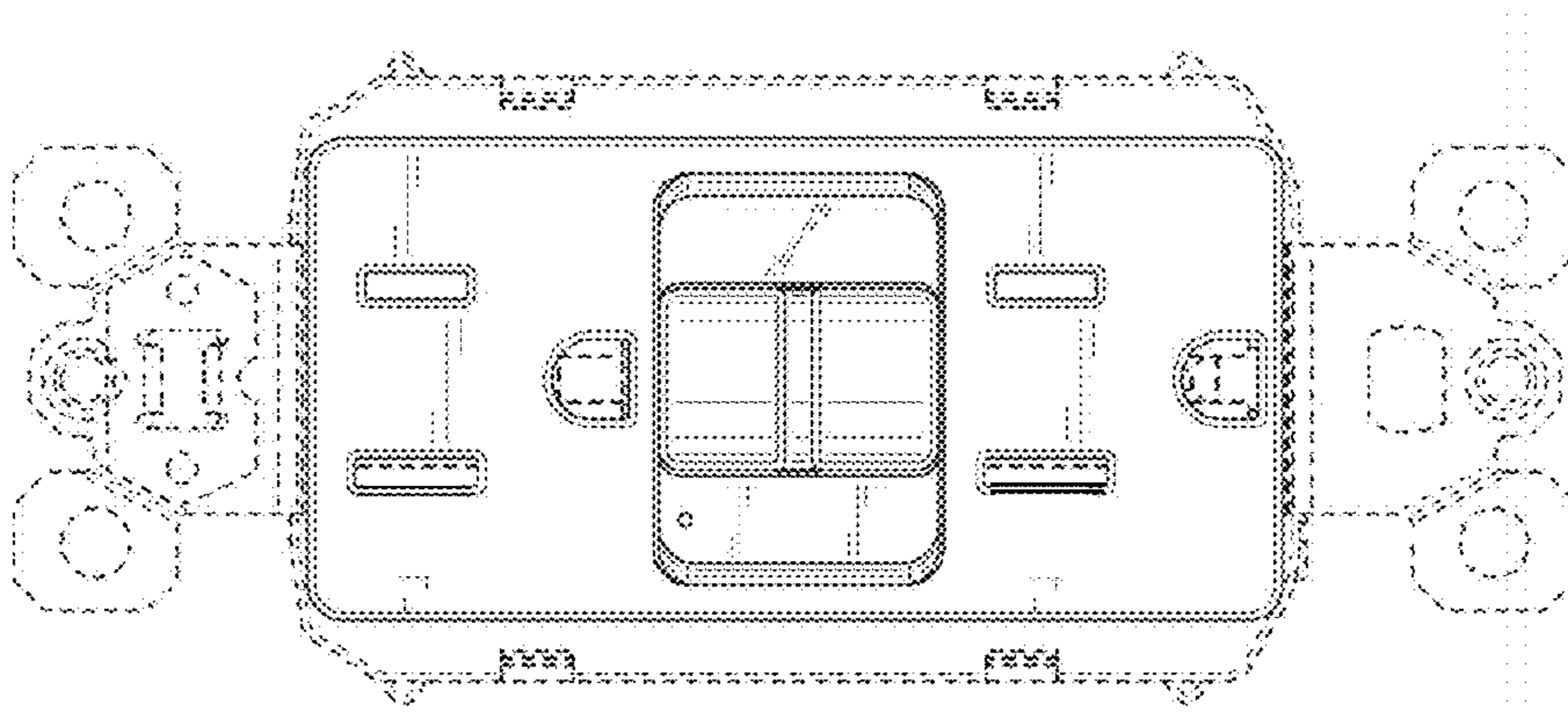


FIG. 16