



US00D744422S

(12) **United States Design Patent**
Landry et al.

(10) **Patent No.:** **US D744,422 S**

(45) **Date of Patent:** **** Dec. 1, 2015**

(54) **CONNECTOR**

(71) Applicant: **Hypertronics Corporation**, Hudson, MA (US)

(72) Inventors: **Mark D. Landry**, Westminister, MA (US); **Douglas McCormack**, Worcester, MA (US); **David E. Salomon**, Southborough, MA (US); **Francesco A. Nania**, Clinton, MA (US); **Christopher D. Coughlan**, Hudson, MA (US)

(73) Assignee: **Hypertronics Corporation**, Hudson, MA (US)

(**) Term: **14 Years**

(21) Appl. No.: **29/494,544**

(22) Filed: **Jun. 20, 2014**

(51) **LOC (10) Cl.** **13-03**

(52) **U.S. Cl.**
USPC **D13/133**

(58) **Field of Classification Search**
USPC D13/110, 123, 133, 147-149, 154-56, D13/158, 173, 184, 199; D3/5, 10, 12
CPC A45B 9/00; H01R 9/05; H01R 9/051; H01R 9/052; H01R 11/00; H01R 13/40; H01R 13/52; H01R 13/533; H01R 13/56; H01R 13/58; H01R 13/62; H01R 13/63; H01R 13/631; H01R 13/635

See application file for complete search history.

(56) **References Cited**

U.S. PATENT DOCUMENTS

D49,693	S	*	9/1916	Abbott	D13/155
D49,697	S	*	9/1916	Abbott	D13/155
D401,907	S	*	12/1998	Gazzerro	D13/155
D402,265	S	*	12/1998	Viklund et al.	D13/155
D544,201	S	*	6/2007	Berl	D3/12
D606,944	S	*	12/2009	Mehnert et al.	D13/154
D618,527	S	*	6/2010	Deguglimo et al.	D8/29
D636,334	S	*	4/2011	Kato et al.	D13/119
D664,408	S	*	7/2012	Mitchell	D8/21
D692,564	S	*	10/2013	Ninomiya et al.	D24/187
D706,715	S	*	6/2014	Ball	D13/133
2008/0289671	A1	*	11/2008	Chiu	135/65
2011/0271990	A1	*	11/2011	Diamond	135/65

* cited by examiner

Primary Examiner — Thomas Johannes
Assistant Examiner — Shawn T Gingrich
(74) *Attorney, Agent, or Firm* — Snell & Wilmer LLP

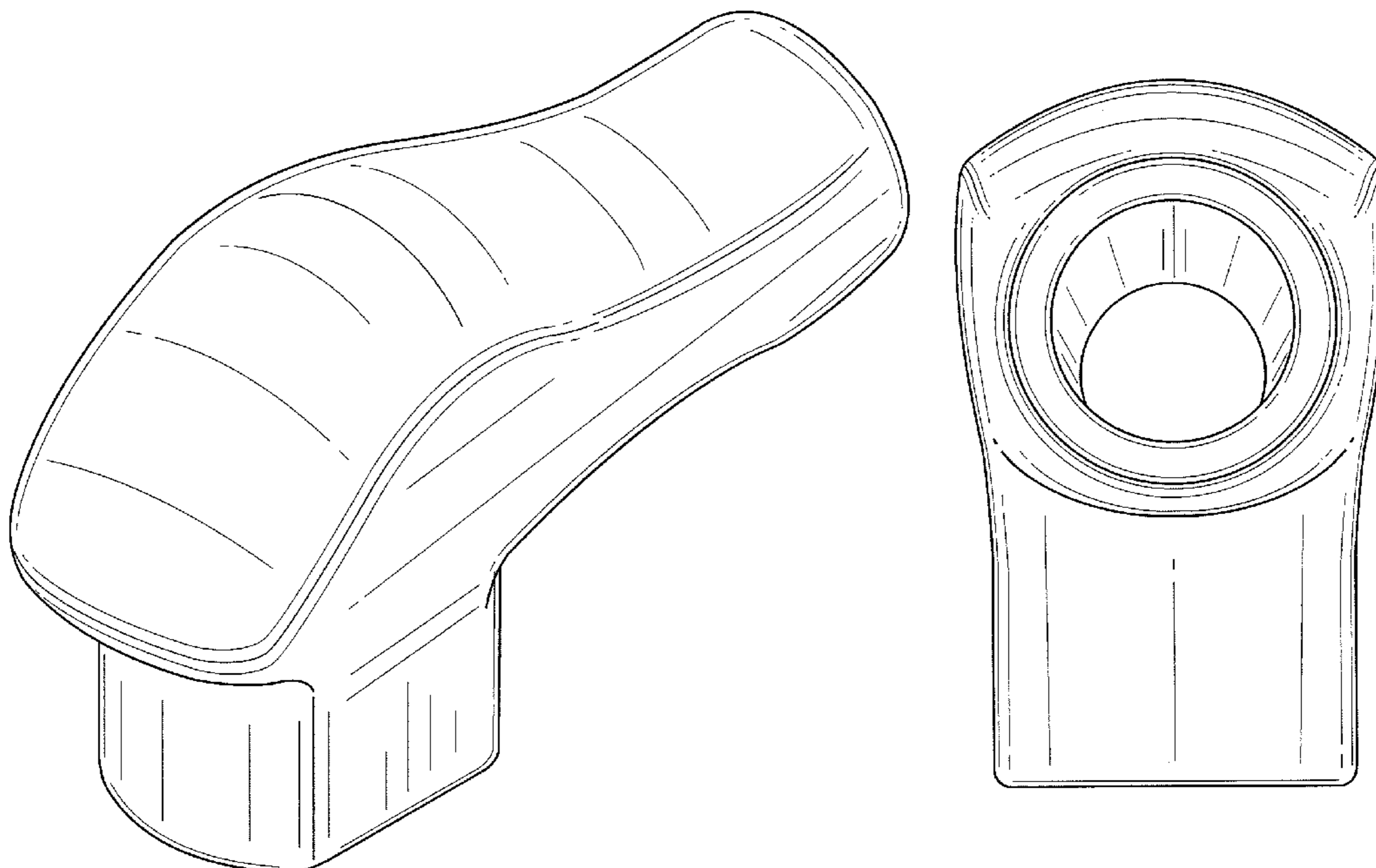
(57) **CLAIM**

We claim the ornamental design for a connector, as shown and described.

DESCRIPTION

FIG. 1 is a rear perspective view of the connector showing our new design;
FIG. 2 is a rear view of the connector;
FIG. 3 is a front view of the connector;
FIG. 4 is a left side view of the connector;
FIG. 5 is a right side view of the connector;
FIG. 6 is a top view of the connector; and,
FIG. 7 is a bottom view of the connector.
The broken line portion of the figure drawings is included to show unclaimed subject matter only and forms no part of the claimed design.

1 Claim, 6 Drawing Sheets



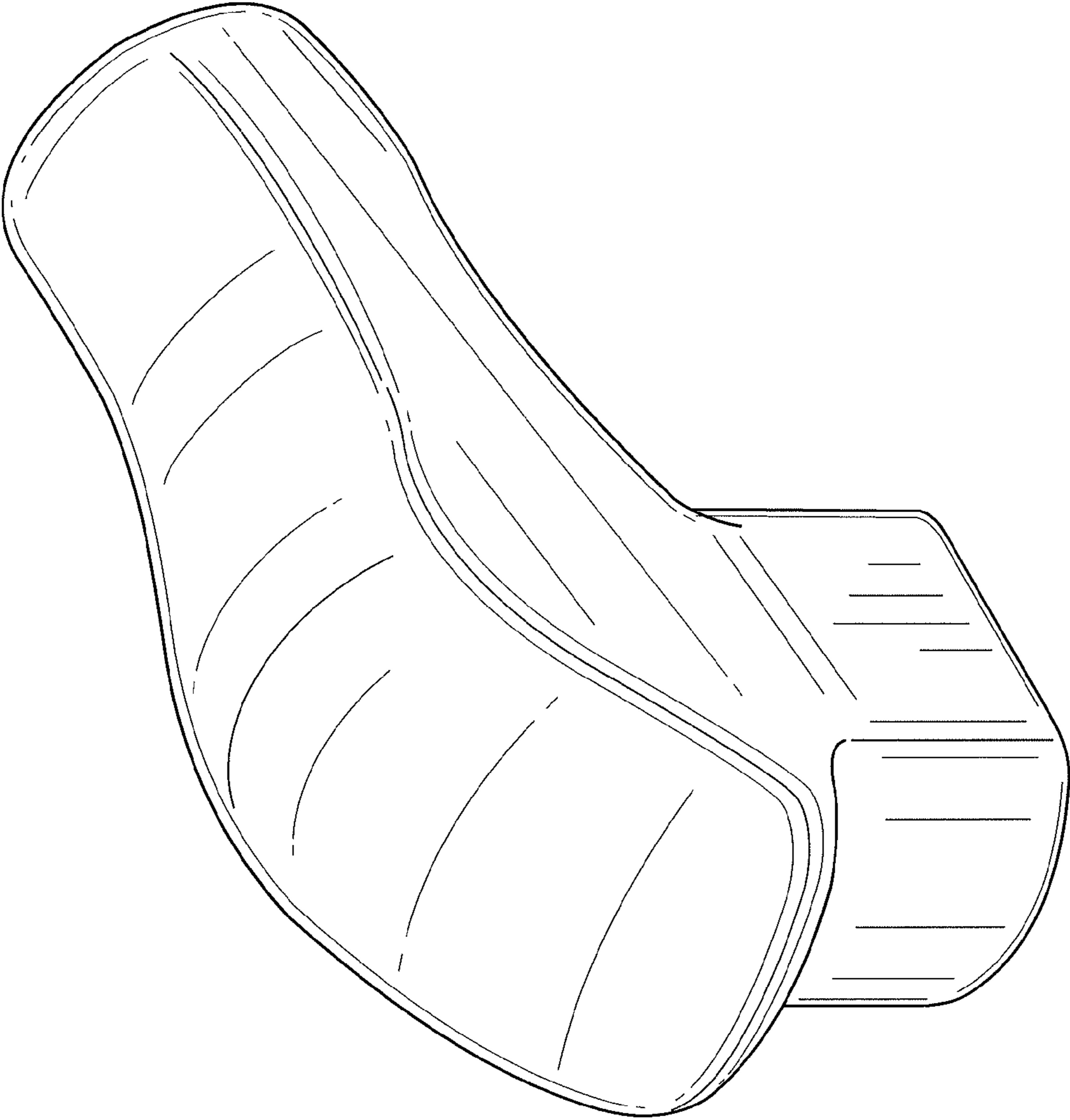


FIG. 1

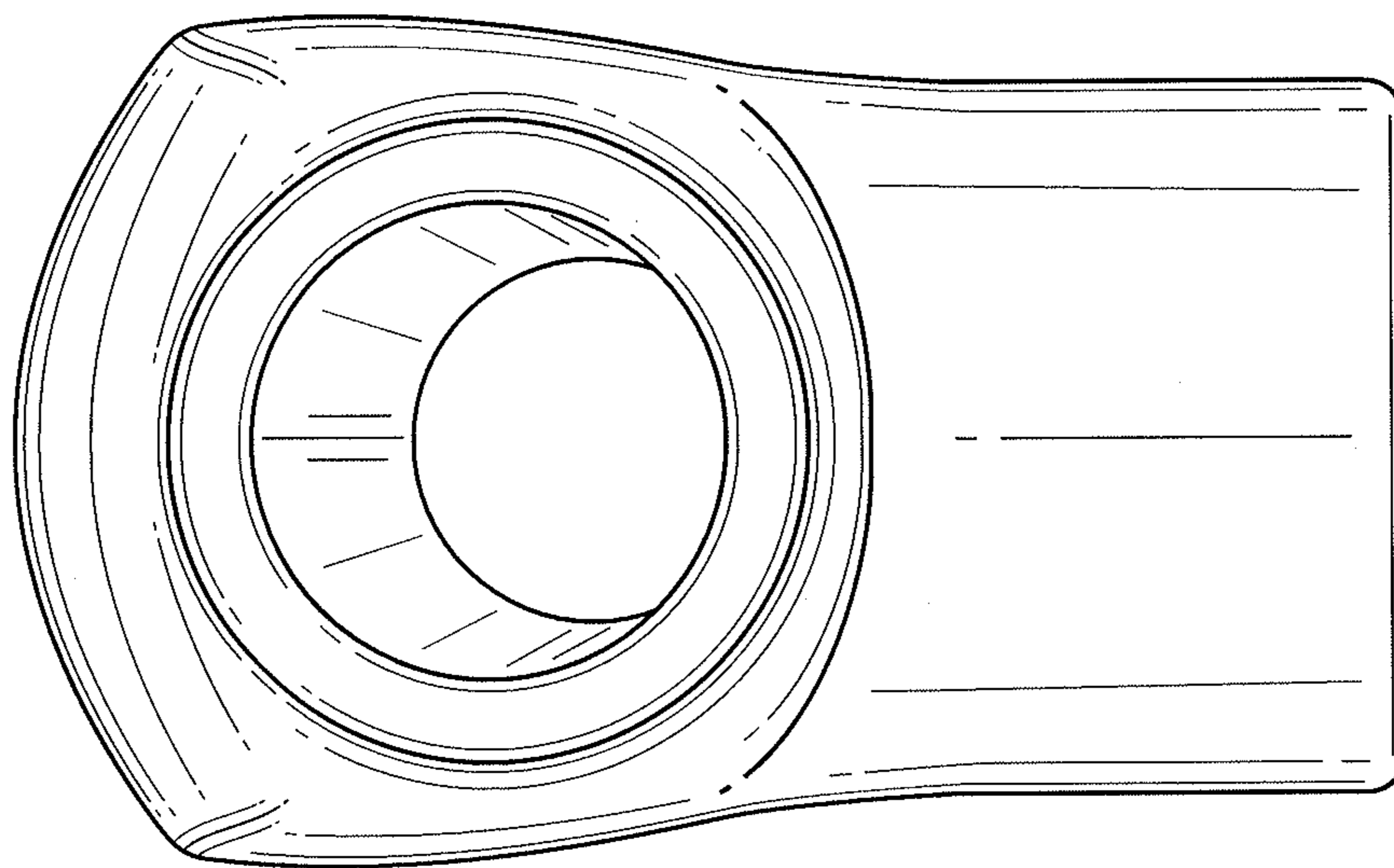


FIG. 3

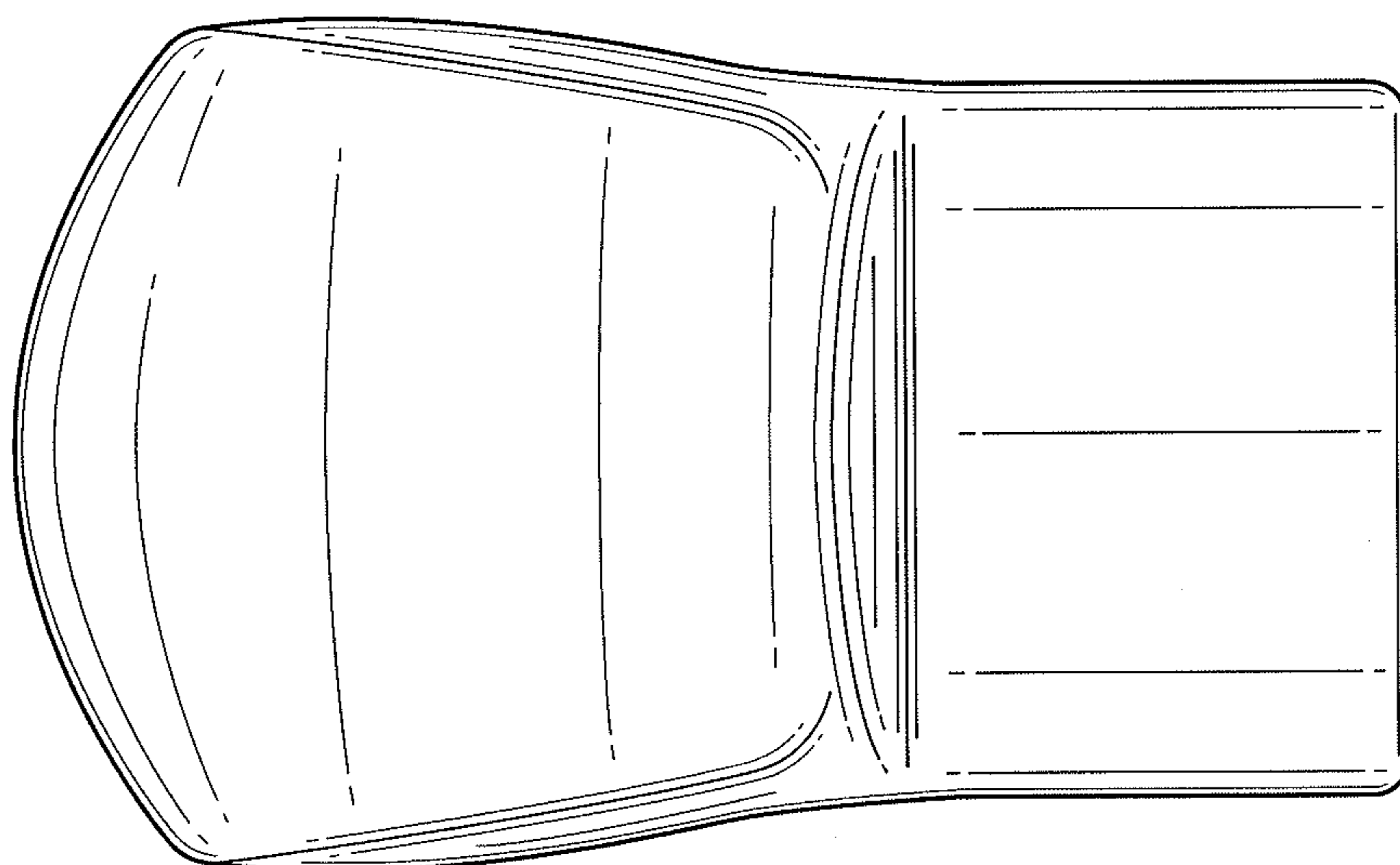


FIG. 2

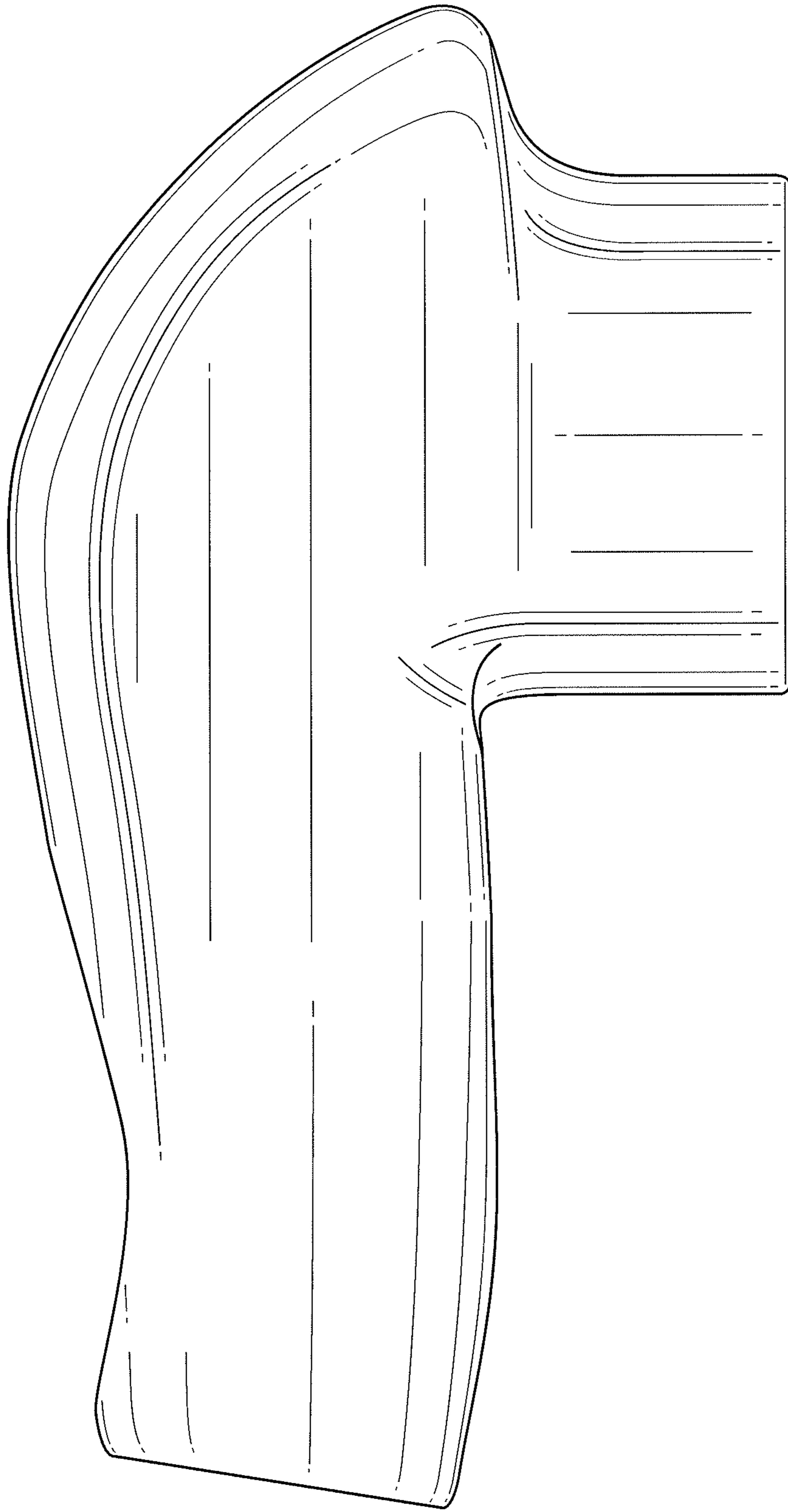


FIG. 4



FIG. 5

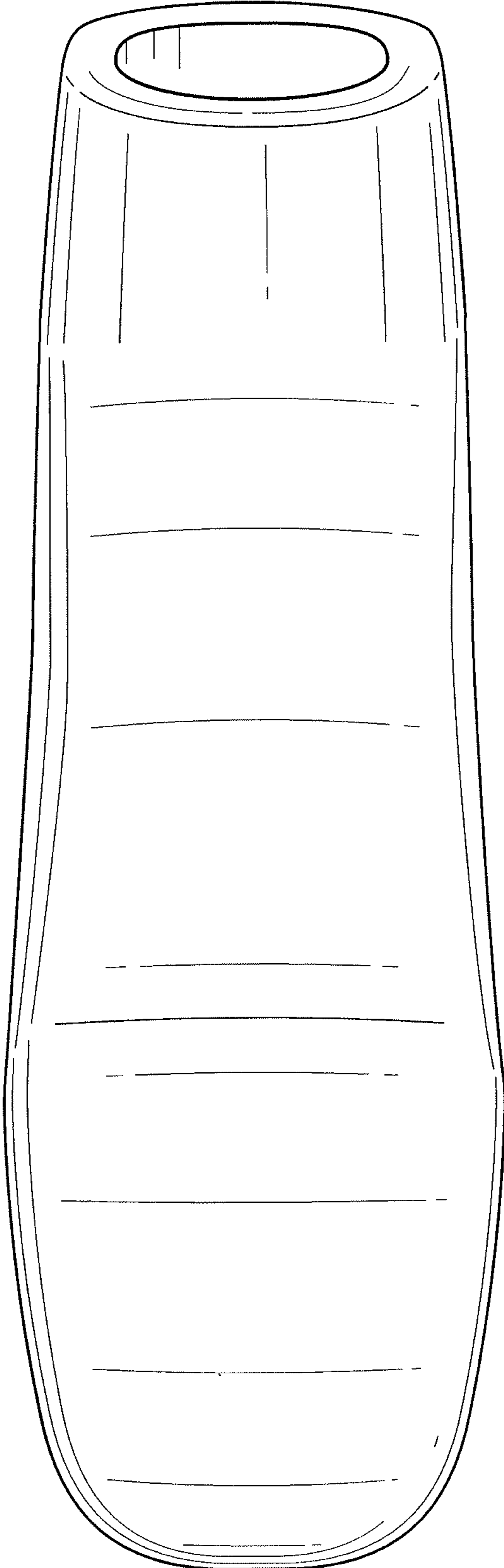


FIG. 6

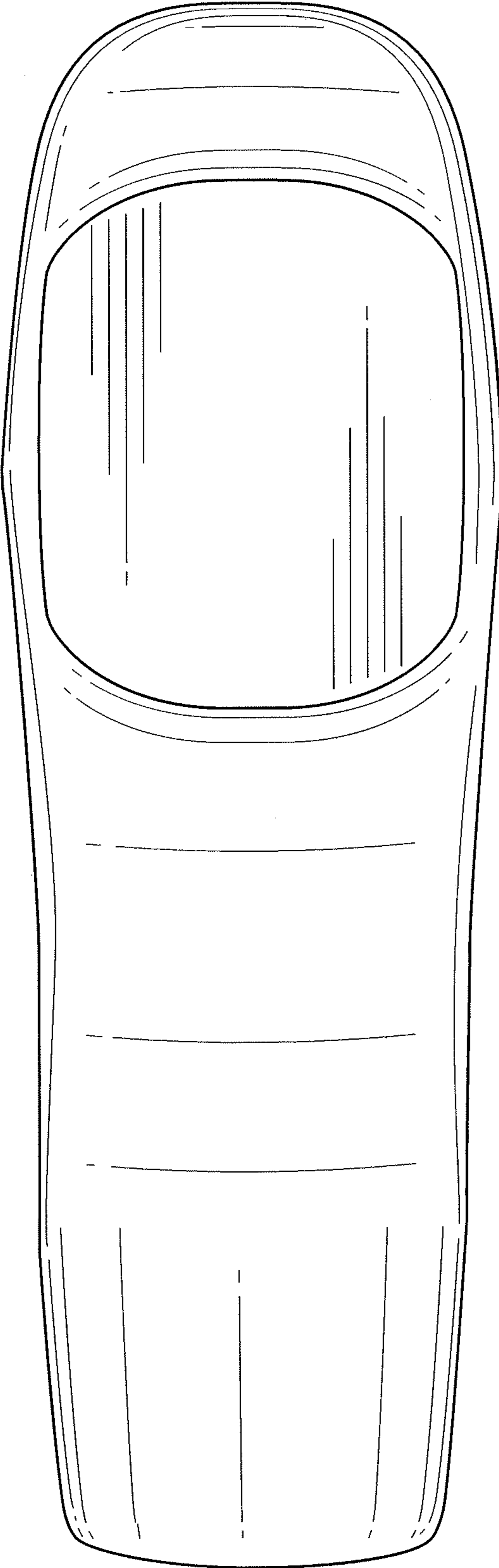


FIG. 7