



US00D744421S

(12) **United States Design Patent**
Yonishi et al.

(10) **Patent No.:** **US D744,421 S**
(45) **Date of Patent:** **** Dec. 1, 2015**

- (54) **RECHARGEABLE BATTERY**
- (71) Applicant: **Sony Corporation**, Tokyo (JP)
- (72) Inventors: **Kiyoshi Yonishi**, Fukushima (JP);
Atsuhiko Kumagai, Kanagawa (JP)
- (73) Assignee: **Sony Corporation**, Tokyo (JP)
- (**) Term: **14 Years**
- (21) Appl. No.: **29/521,683**
- (22) Filed: **Mar. 25, 2015**
Related U.S. Application Data
- (63) Continuation of application No. 29/497,846, filed on Jul. 29, 2014, which is a continuation of application No. 29/462,492, filed on Aug. 5, 2013, now Pat. No. Des. 711,826, which is a continuation of application No. 29/442,045, filed on Nov. 21, 2012, now Pat. No. Des. 687,777.

- (30) **Foreign Application Priority Data**
- | | | |
|--------------|------|----------------|
| May 24, 2012 | (CN) | 2012 3 0195617 |
| May 24, 2012 | (CN) | 2012 3 0195623 |
| Jun. 5, 2012 | (JP) | D2012-013285 |
| Jun. 5, 2012 | (JP) | D2012-013286 |
| Jun. 5, 2012 | (JP) | D2012-013287 |
| Jun. 5, 2012 | (JP) | D2012-013288 |
| Jun. 5, 2012 | (JP) | D2012-013289 |
| Jun. 5, 2012 | (JP) | D2012-013290 |
| Jun. 5, 2012 | (JP) | D2012-013291 |
| Jun. 5, 2012 | (JP) | D2012-013292 |
| Jun. 5, 2012 | (JP) | D2012-013293 |
| Jun. 5, 2012 | (JP) | D2012-013294 |
| Jun. 5, 2012 | (JP) | D2012-013295 |
| Jun. 5, 2012 | (JP) | D2012-013296 |
| Jun. 5, 2012 | (JP) | D2012-013297 |
| Jun. 5, 2012 | (JP) | D2012-013298 |
| Jun. 5, 2012 | (JP) | D2012-013299 |
| Jun. 5, 2012 | (JP) | D2012-013300 |
| Jun. 5, 2012 | (JP) | D2012-013301 |
| Jun. 5, 2012 | (JP) | D2012-013302 |
| Jun. 5, 2012 | (JP) | D2012-013303 |
| Jun. 5, 2012 | (JP) | D2012-013304 |
| Jun. 5, 2012 | (JP) | D2012-013305 |
| Jun. 5, 2012 | (JP) | D2012-013306 |

- (51) **LOC (10) Cl.** **13-02**
- (52) **U.S. Cl.**
USPC **D13/119**
- (58) **Field of Classification Search**
USPC D13/102–106, 110, 119–121, 184;
429/96–100, 163, 176
CPC Y02E 60/12; Y02E 60/122; Y02E 60/124;
Y02E 60/50; H01M 2/02; H01M 2/022;
H01M 2/0202; H01M 2/0207; H01M 2/0212;
H01M 2/1061; H01M 2/1022; H01M 2/1055;
H01M 2/1066; H01M 2/105; H01M 2/204;
H01M 10/4257; H01M 10/0436; H01M 10/48
See application file for complete search history.

- (56) **References Cited**
- U.S. PATENT DOCUMENTS
- | | | | | |
|--------------|--------|------|-------|---------|
| D243,615 S * | 3/1977 | Kaye | | D13/103 |
| D243,618 S * | 3/1977 | Kaye | | D13/103 |

- (Continued)
- FOREIGN PATENT DOCUMENTS
- | | | |
|----|------------|--------|
| JP | D1355276 S | 4/2009 |
| JP | D1405669 S | 1/2011 |
- (Continued)

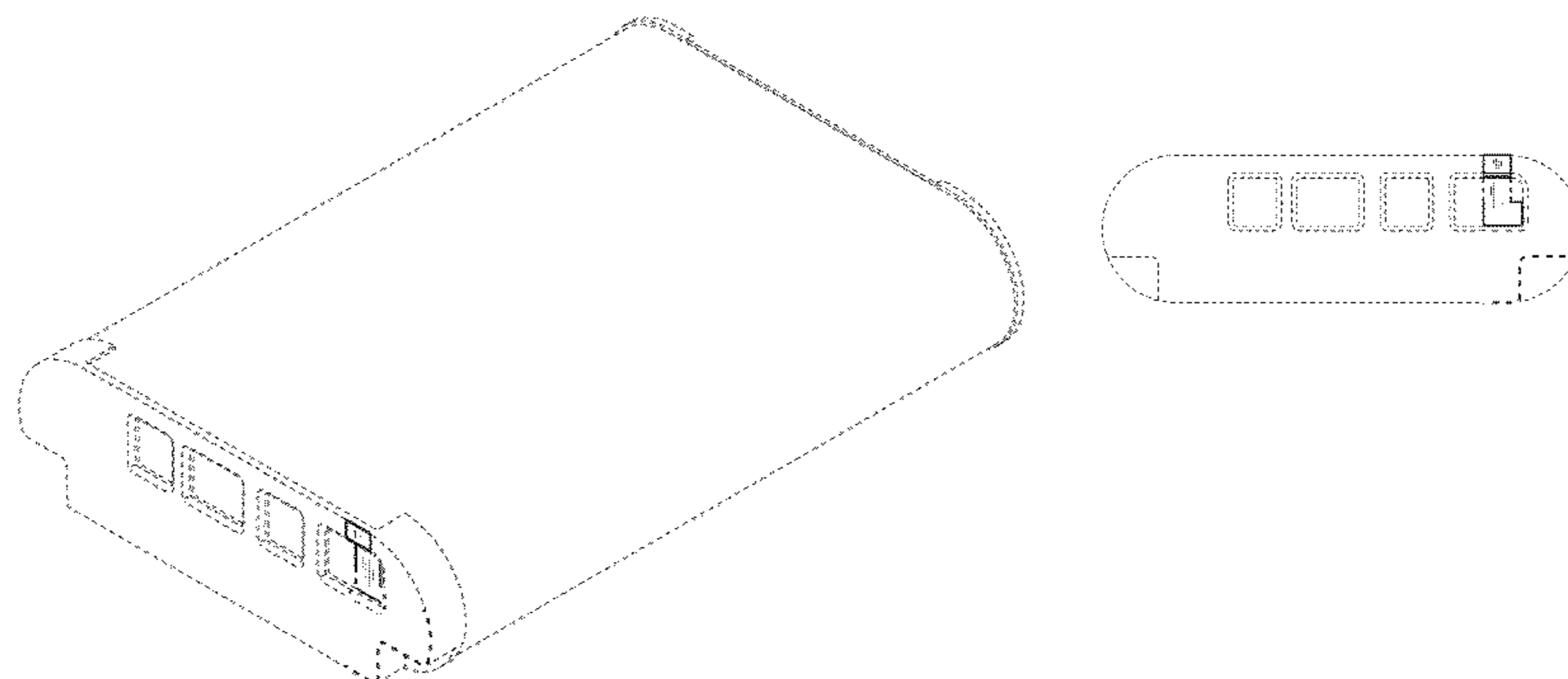
Primary Examiner — Rosemary K Tarca
(74) *Attorney, Agent, or Firm* — Michael Best & Friedrich LLP

- (57) **CLAIM**
The ornamental design for a rechargeable battery, as shown and described.

DESCRIPTION

FIG. 1 is a front, top, right perspective view of a first embodiment of a rechargeable battery showing our new design; FIG. 2 is a front, bottom, left perspective view thereof; FIG. 3 is a front elevational view thereof; and, FIG. 4 is a top plan view thereof. Broken lines illustrate unclaimed portions of the rechargeable battery and form no part of the claimed design. Dot-dash broken lines define the boundaries of, but not included in, the claimed design.

1 Claim, 3 Drawing Sheets



(56)

References Cited

U.S. PATENT DOCUMENTS

D250,528 S * 12/1978 Kaye D13/103
 D250,529 S * 12/1978 Kaye D13/103
 D250,530 S * 12/1978 Kaye D13/103
 D277,747 S 2/1985 Toth
 D335,277 S 5/1993 Hattori
 D356,291 S 3/1995 Kawamura
 D362,839 S 10/1995 Tamaki
 D400,496 S * 11/1998 Barber et al. D13/103
 D400,848 S 11/1998 Clark et al.
 D417,860 S 12/1999 Lau
 D426,513 S 6/2000 Toops et al.
 D439,877 S 4/2001 Vacheron et al.
 6,376,122 B1 4/2002 Cheeseman
 D473,186 S 4/2003 Grosfeld et al.
 D474,149 S * 5/2003 Kawahata et al. D13/103
 D478,086 S 8/2003 Chuang
 D486,789 S 2/2004 Santiago
 D490,370 S 5/2004 Picardo
 D509,182 S 9/2005 Takeshita et al.
 D515,499 S 2/2006 Matsuda et al.
 D516,018 S 2/2006 Ohsako et al.
 D516,019 S 2/2006 Ohsako et al.
 D516,503 S 3/2006 Takeshita et al.
 D521,447 S * 5/2006 Ono et al. D13/103
 D548,181 S 8/2007 Krieger et al.
 7,462,417 B2 12/2008 Moon
 D586,742 S 2/2009 Song
 D590,334 S 4/2009 Tatehata et al.
 D590,335 S 4/2009 Tatehata et al.
 D590,336 S 4/2009 Tatehata et al.
 D590,337 S 4/2009 Tatehata et al.
 D590,341 S 4/2009 Tatehata et al.
 D590,769 S 4/2009 Tatehata et al.
 D592,130 S 5/2009 Tatehata et al.
 D594,402 S * 6/2009 Inoue et al. D13/103
 D601,494 S 10/2009 Otani et al.
 D604,696 S 11/2009 Tasai
 D608,276 S 1/2010 Takeshita et al.
 D618,171 S 6/2010 Tatehata et al.
 D619,959 S 7/2010 Takeshita et al.
 D622,213 S 8/2010 Nomi et al.

D623,590 S 9/2010 Otani et al.
 D635,512 S 4/2011 Tatehata et al.
 7,985,501 B2 7/2011 Kim et al.
 D642,980 S 8/2011 Inaba
 7,989,105 B2 8/2011 Suzuki et al.
 D644,988 S 9/2011 Finney et al.
 D645,814 S 9/2011 Otani et al.
 D646,222 S 10/2011 Tatehata et al.
 D662,473 S 6/2012 Andre et al.
 D669,427 S 10/2012 Ignor et al.
 D684,114 S * 6/2013 Otani et al. D13/103
 D686,148 S * 7/2013 Inaba D13/103
 D686,981 S 7/2013 Koyabu et al.
 D687,777 S 8/2013 Yonishi et al.
 D688,198 S * 8/2013 Takeshita et al. D13/103
 D711,826 S * 8/2014 Yonishi et al. D13/119
 2004/0053128 A1 3/2004 Smith et al.
 2005/0008931 A1 1/2005 Axelrod
 2006/0281002 A1 12/2006 Aoki et al.
 2008/0152994 A1 6/2008 Yamagami et al.
 2008/0305367 A1 12/2008 Baek et al.
 2011/0129697 A1 * 6/2011 Sim et al. 429/7
 2011/0151284 A1 * 6/2011 Baek et al. 429/7
 2011/0151287 A1 * 6/2011 Baek 429/7
 2011/0171499 A1 * 7/2011 Infanti 429/7
 2011/0177362 A1 * 7/2011 Kim et al. 429/7
 2011/0223447 A1 * 9/2011 Ignor et al. 429/7
 2011/0250489 A1 10/2011 Baek et al.
 2012/0021256 A1 * 1/2012 Jang 429/7
 2012/0034506 A1 * 2/2012 Hu et al. 429/100
 2012/0121945 A1 * 5/2012 Kim 429/7
 2013/0224530 A1 * 8/2013 Baek et al. 429/7
 2013/0230746 A1 * 9/2013 Byun 429/7
 2013/0295417 A1 * 11/2013 Koh et al. 429/7
 2014/0038031 A1 * 2/2014 Yong et al. 429/175
 2014/0106202 A1 * 4/2014 Choi 429/159
 2014/0120379 A1 * 5/2014 Baek et al. 429/7

FOREIGN PATENT DOCUMENTS

WO DM/063870 S 7/2003
 WO DM/065508 S 7/2003
 WO DM/069177 S 9/2007

* cited by examiner

FIG.1

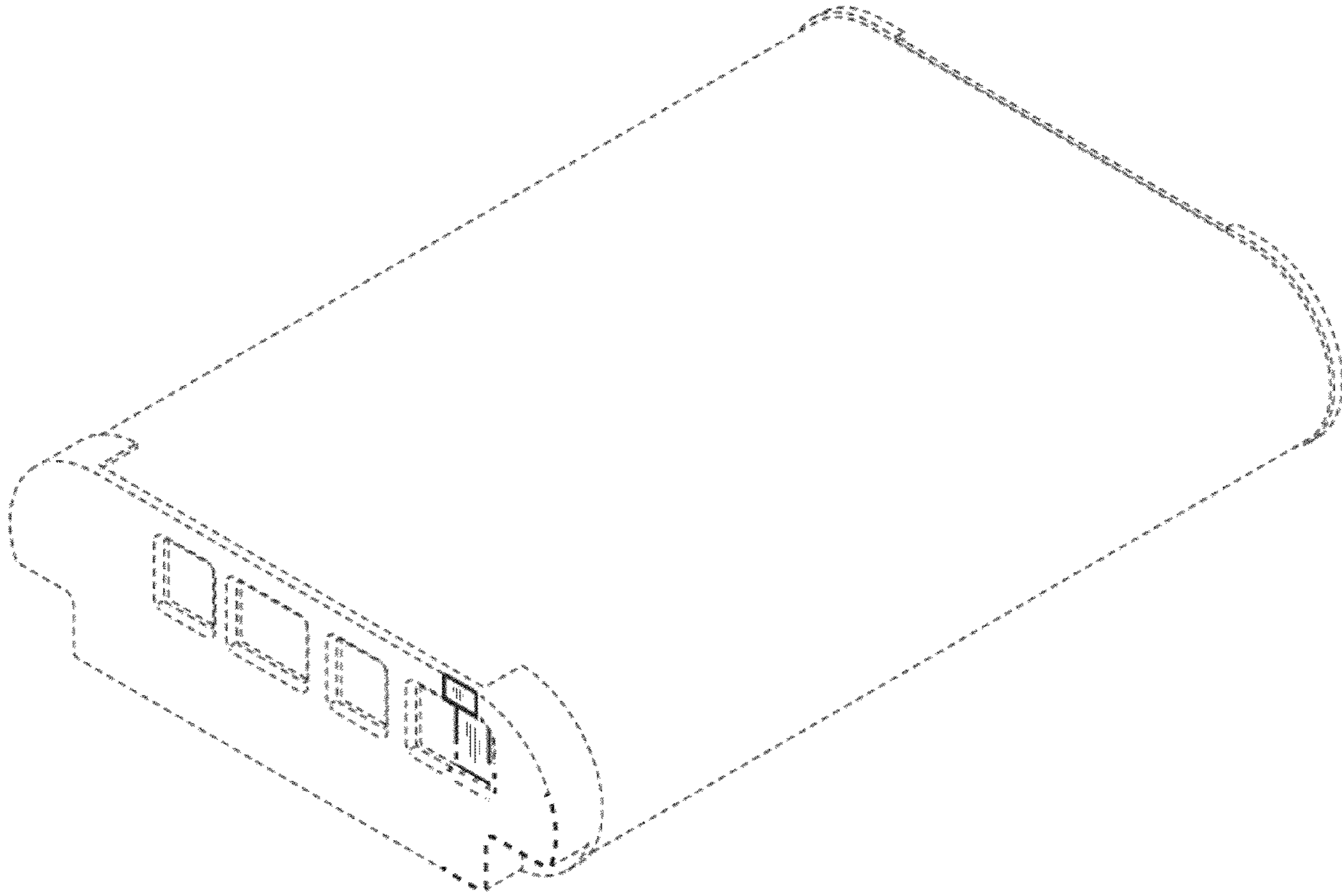


FIG.2

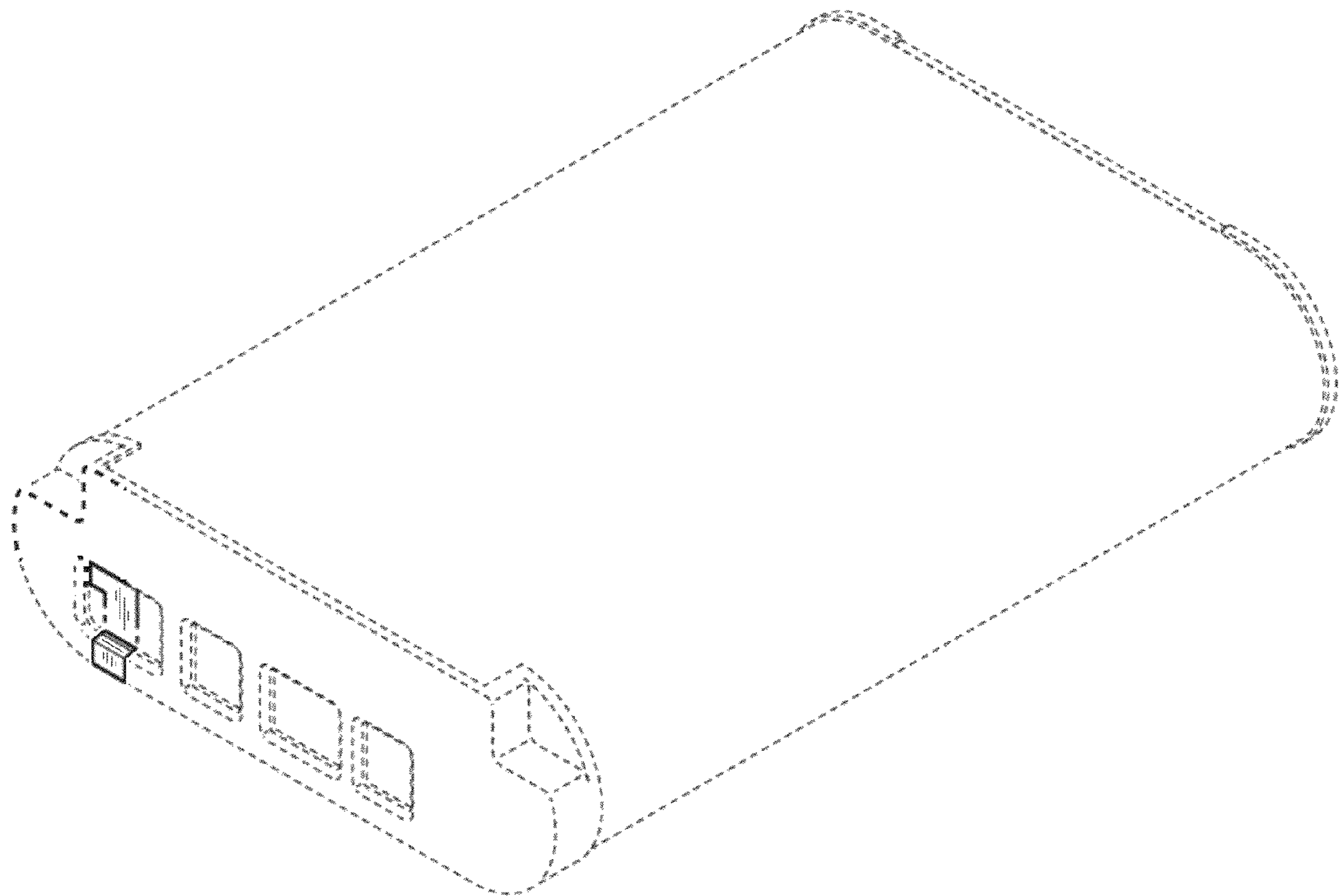


FIG.3

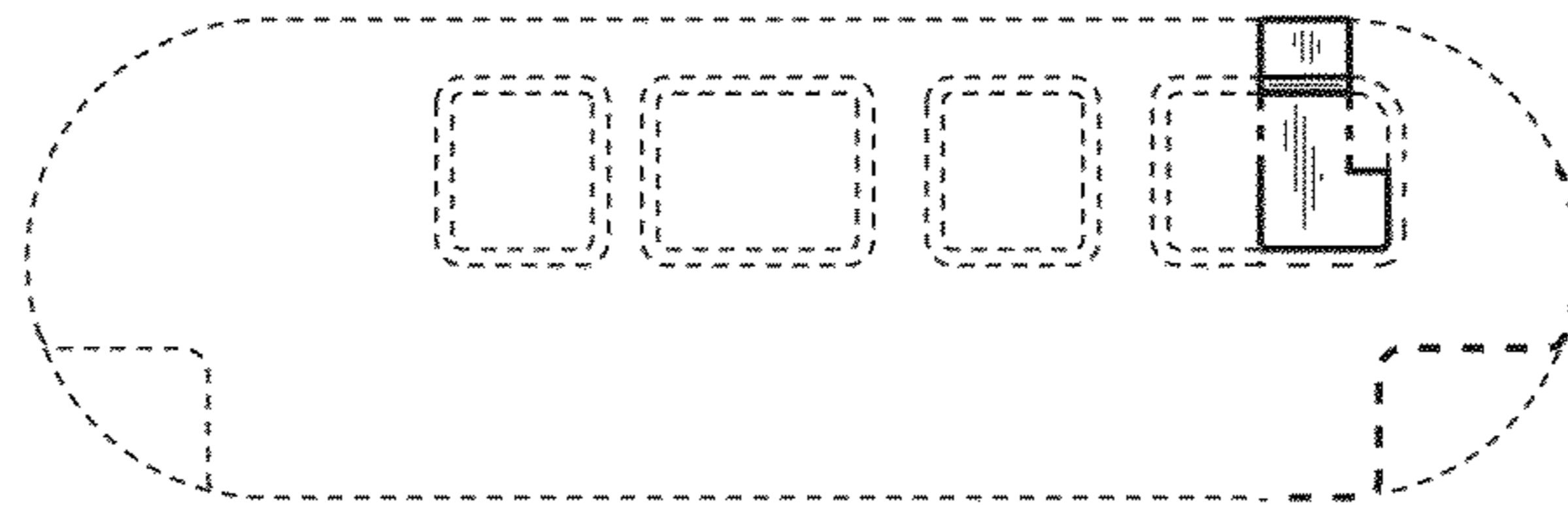


FIG.4

