



US00D744420S

(12) **United States Design Patent**
Chen

(10) **Patent No.:** **US D744,420 S**
(45) **Date of Patent:** **** Dec. 1, 2015**

(54) **POWER BANK**

(71) Applicant: **Dongguan Large Electronics Co., Ltd.**,
Dongguan, Guangdong (CN)

(72) Inventor: **Lingjun Chen**, Guangdong (CN)

(73) Assignee: **Dongguan Large Electronics Co., Ltd.**
(CN)

(**) Term: **14 Years**

(21) Appl. No.: **29/517,638**

(22) Filed: **Feb. 13, 2015**

(30) **Foreign Application Priority Data**

Jan. 15, 2015 (CN) 2015 3 0011581

(51) **LOC (10) Cl.** **13-02**

(52) **U.S. Cl.**
USPC **D13/108; D13/103**

(58) **Field of Classification Search**
USPC D13/102-110, 118-119, 184, 199;
D14/251, 253, 356, 432, 434;
320/107-115
CPC Y02E 60/12; Y02E 60/122; Y02E 60/124;
Y02E 60/50; H01M 2/02; H01M 2/022;
H01M 2/0202; H01M 2/0207; H01M 2/0212;
H01M 2/1061; H01M 2/1022; H01M 2/1055;
H01M 2/1066; H01M 2/105; H01M 2/20;
H01M 2/202; H01M 2/204; H01M 2/206;
H01M 10/44; H01M 10/46; H01M 10/465;
H01M 10/482; H01M 2200/30; H01M
2250/30; H01M 2250/40; H02J 7/00; H02J
7/0003; H02J 7/0011; H02J 7/0013; H02J
7/0054; H02J 7/0055; H02J 7/0057; H02J
2007/0062

See application file for complete search history.

(56) **References Cited**

U.S. PATENT DOCUMENTS

D423,452	S	*	4/2000	Fujisawa	D13/110
D570,772	S	*	6/2008	Mahaffey	D13/110
D601,961	S	*	10/2009	Mahaffey	D13/110
D612,329	S	*	3/2010	Guccione	D13/108
D676,380	S	*	2/2013	Sun	D13/108
D678,187	S	*	3/2013	Huang	D13/103
D705,719	S	*	5/2014	Wong	D13/103
D705,724	S	*	5/2014	Yu	D13/108
D711,318	S	*	8/2014	Xinfang	D13/103
D711,819	S	*	8/2014	To	D13/108
D711,820	S	*	8/2014	Zeng	D13/103
D713,786	S	*	9/2014	Wen	D13/103
D717,243	S	*	11/2014	Liu	D13/103
D722,018	S	*	2/2015	Wang	D13/103
D733,043	S	*	6/2015	Hasbrook	D13/103
D733,051	S	*	6/2015	Wang	D13/103
2012/0154991	A1	*	6/2012	Lei	H04M 1/0262 361/679.01
2013/0049675	A1	*	2/2013	Minami	H02J 7/0054 320/103

* cited by examiner

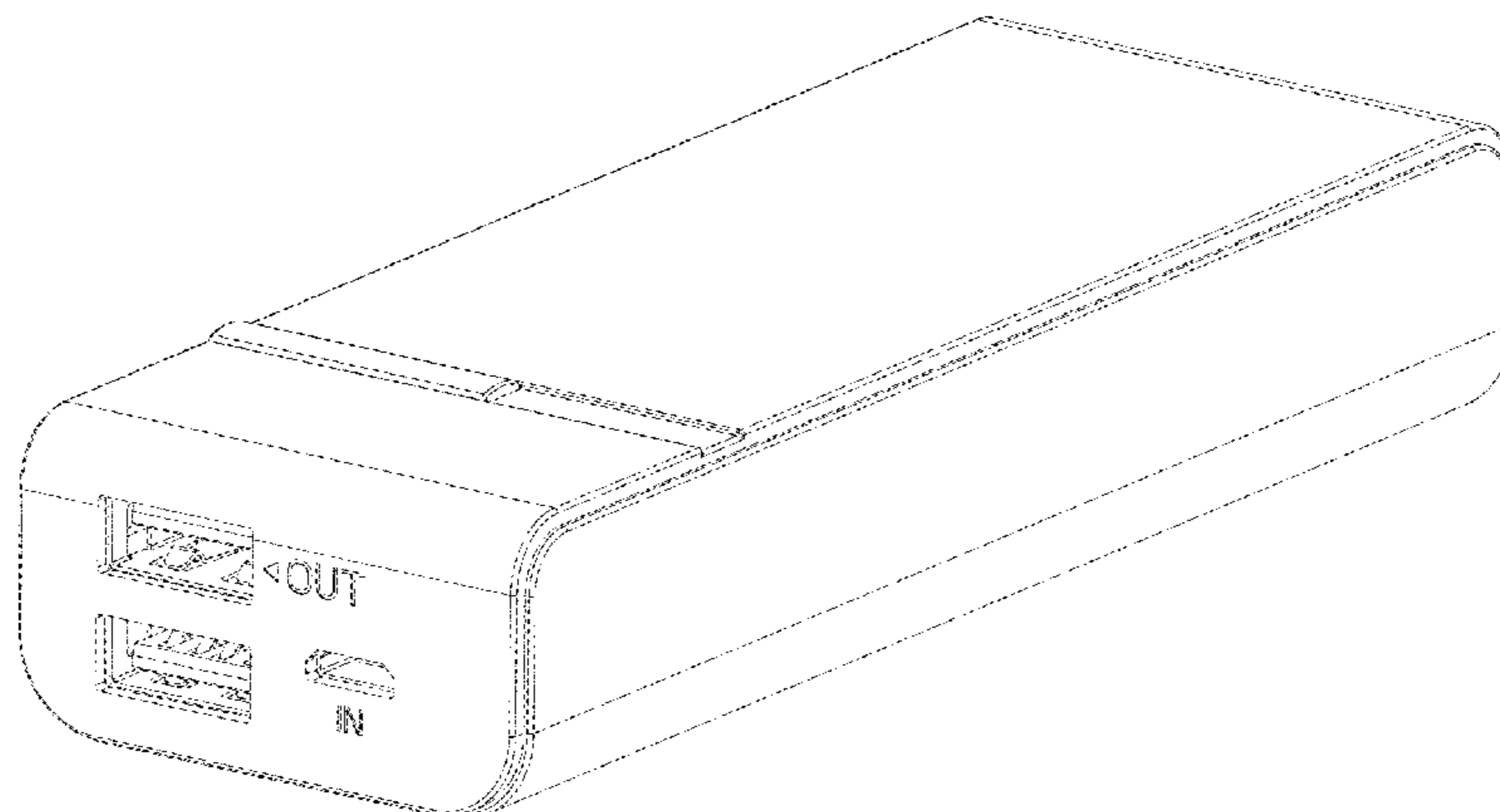
Primary Examiner — Rosemary K Tarca
(74) *Attorney, Agent, or Firm* — Global IP Group

(57) **CLAIM**
The ornamental design for a power bank, as shown and described.

DESCRIPTION

FIG. 1 is a perspective view of the power bank showing my new design;
FIG. 2 is a front elevational view thereof;
FIG. 3 is a back elevational view thereof;
FIG. 4 is a left elevational view thereof;
FIG. 5 is a right elevational view thereof;
FIG. 6 is a top plan view thereof; and,
FIG. 7 is a bottom plan view thereof.

1 Claim, 7 Drawing Sheets



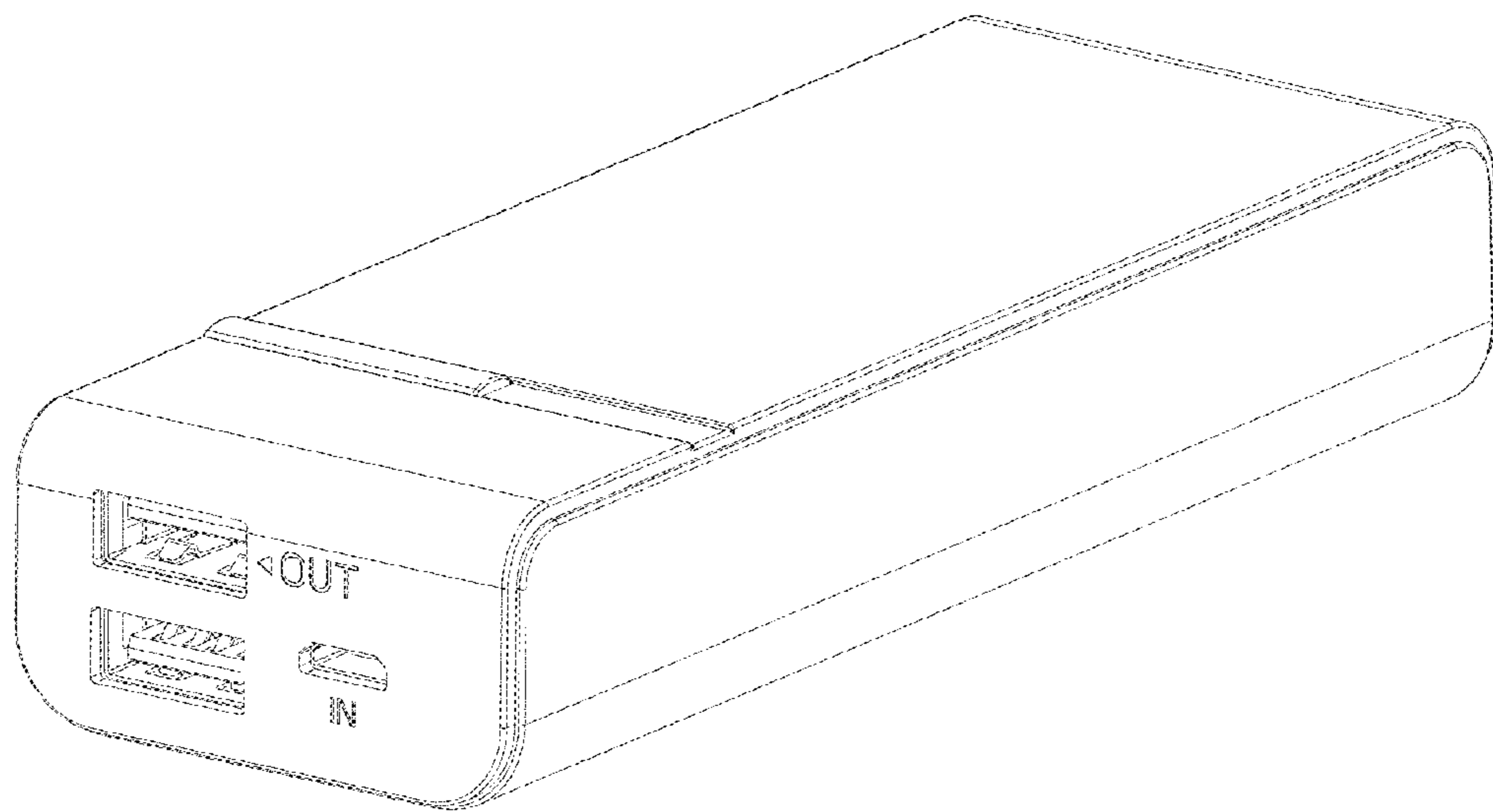


Fig. 1

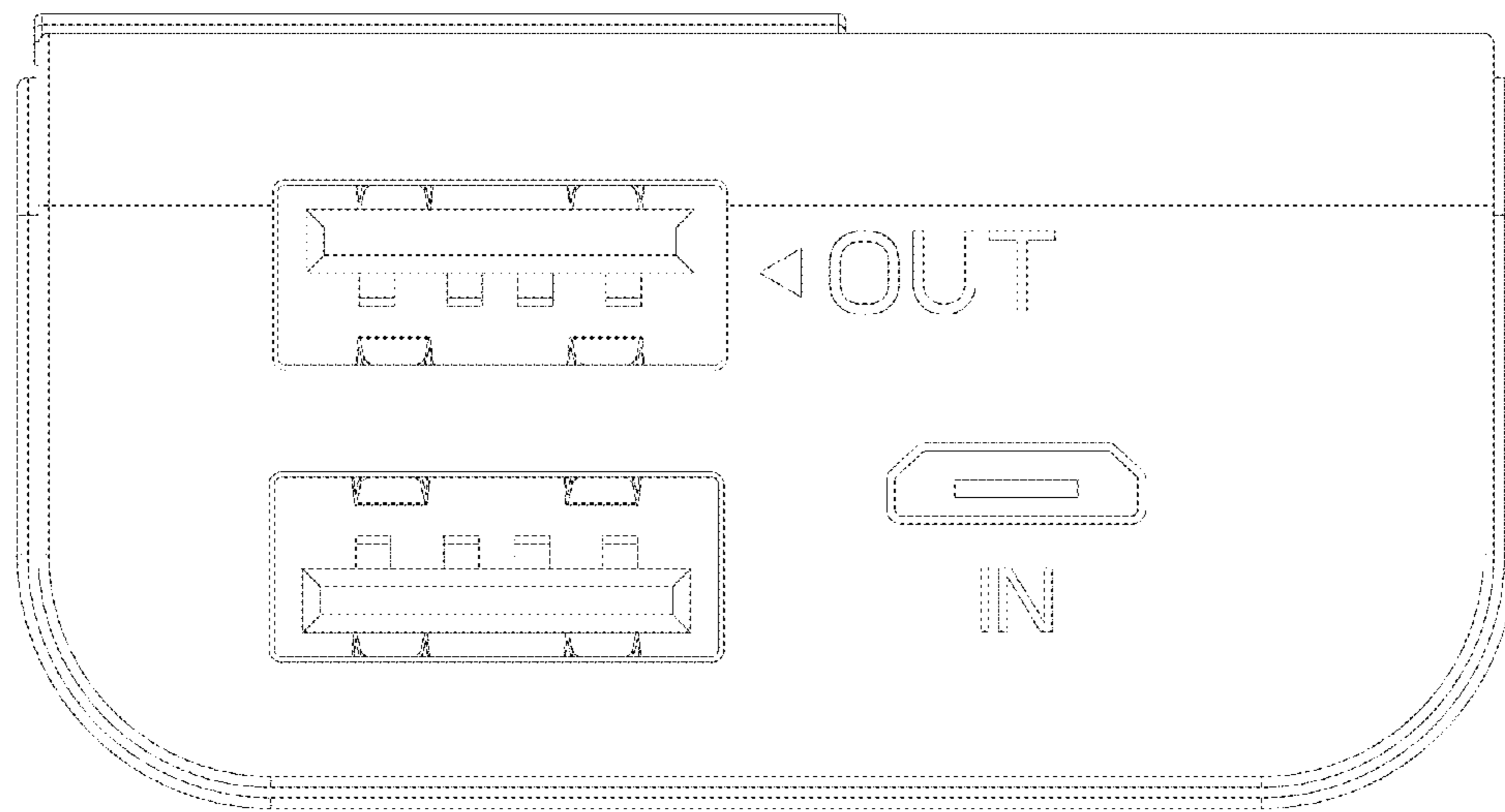


Fig. 2

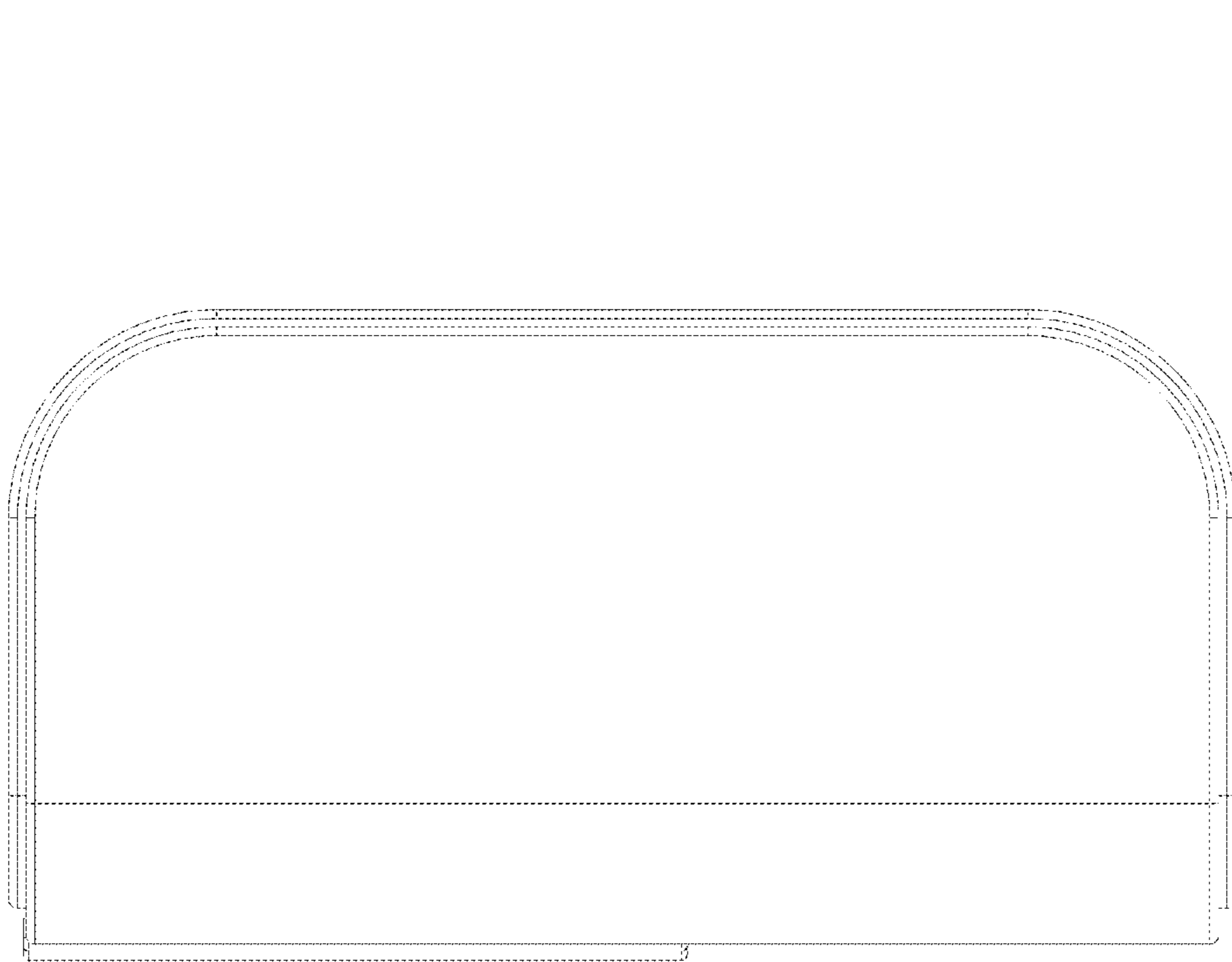


Fig. 3

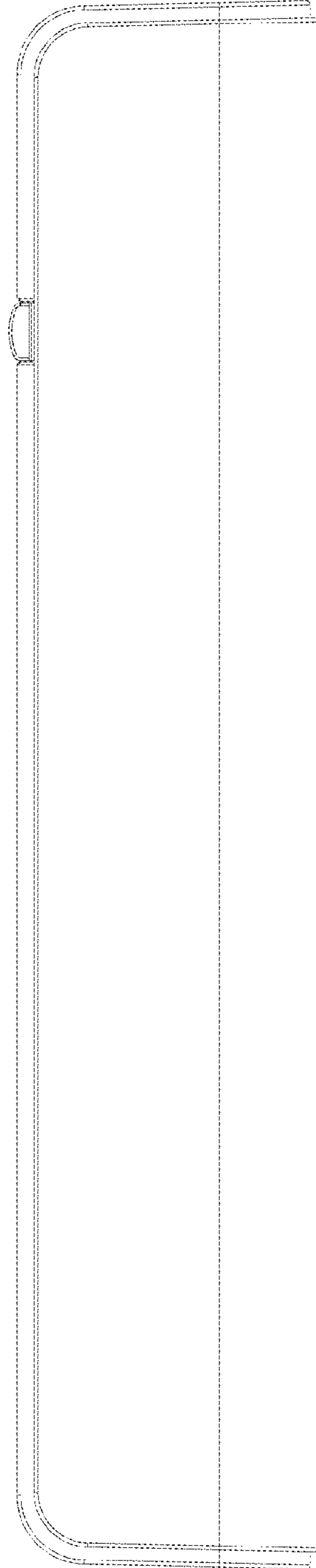


Fig. 4

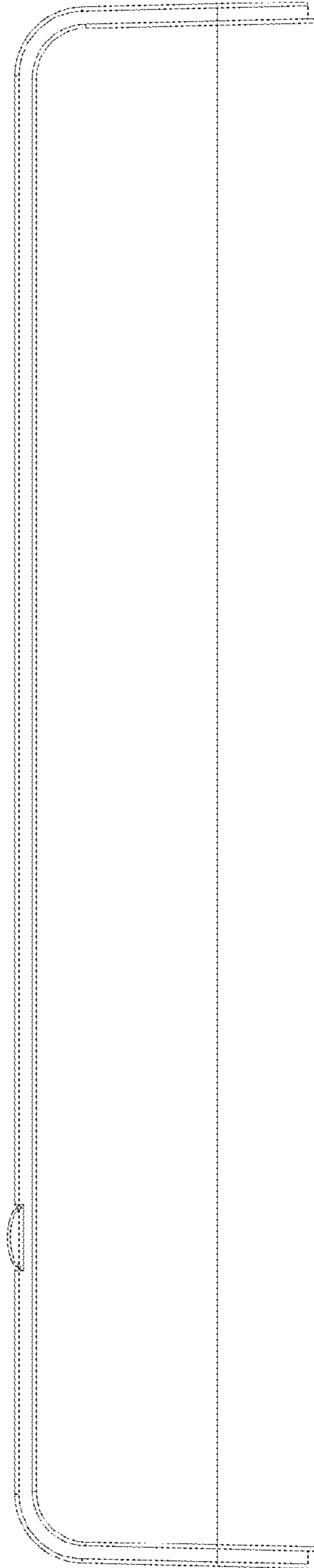


Fig. 5

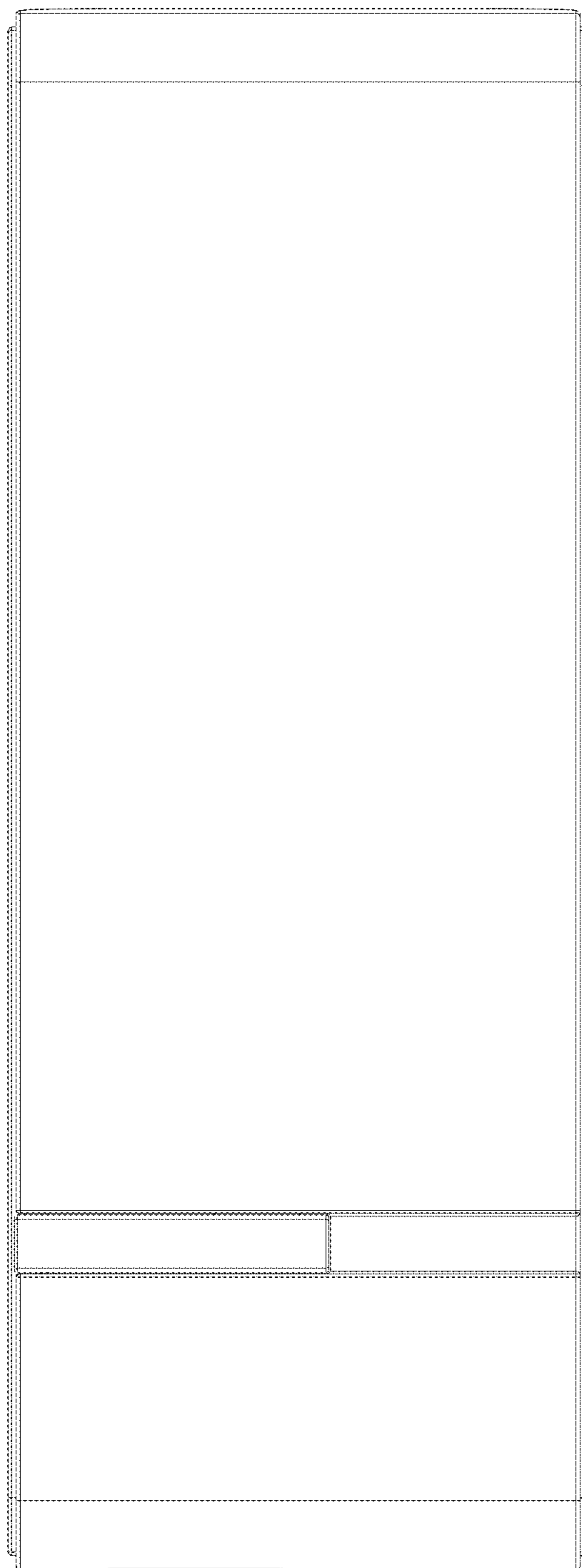


Fig. 6

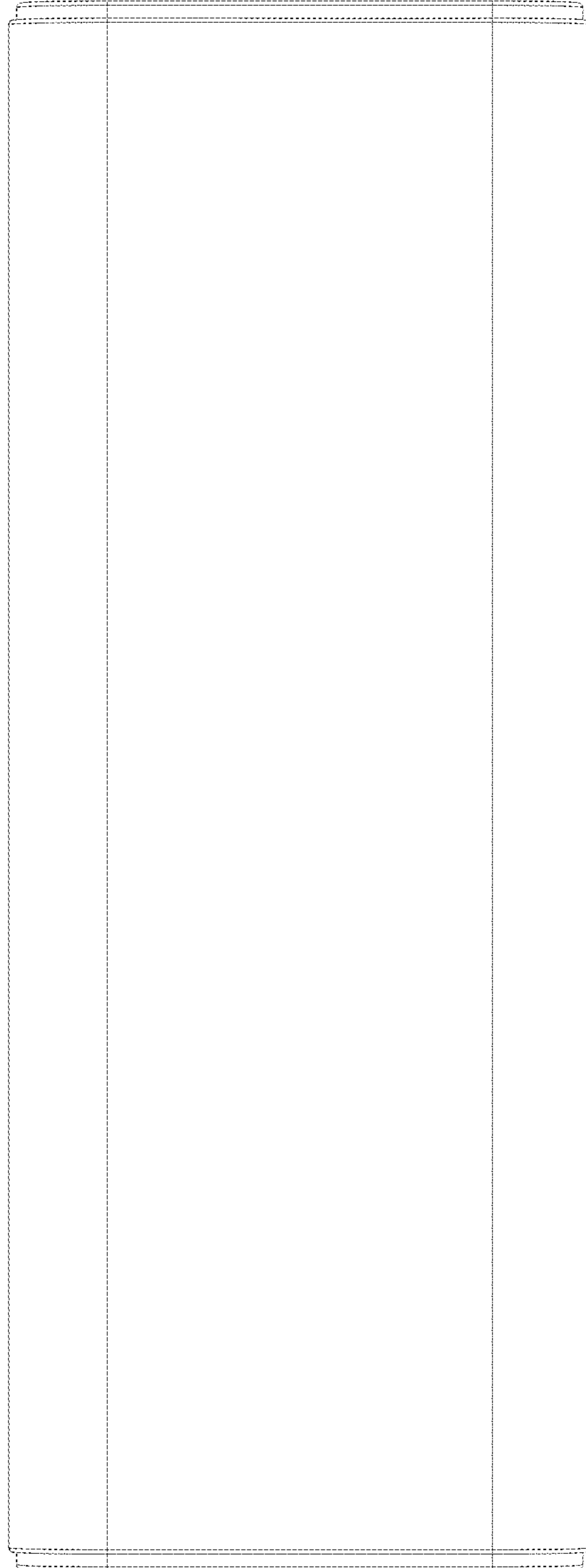


Fig. 7