



US00D744419S

(12) **United States Design Patent**  
**Bowen et al.**

(10) **Patent No.:** **US D744,419 S**  
(45) **Date of Patent:** **\*\* Dec. 1, 2015**

(54) **CHARGING DEVICE FOR ELECTRONIC VAPORIZATION DEVICE**

(71) Applicant: **PAX LABS, INC.**, San Francisco, CA (US)

(72) Inventors: **Adam Bowen**, San Francisco, CA (US); **James Monsees**, San Francisco, CA (US); **Steven Christensen**, San Francisco, CA (US)

(73) Assignee: **PAX LABS, INC.**, San Francisco, CA (US)

(\*\*) Term: **14 Years**

(21) Appl. No.: **29/499,025**

(22) Filed: **Aug. 11, 2014**

(51) **LOC (10) Cl.** ..... **13-02**

(52) **U.S. Cl.**  
USPC ..... **D13/108; D27/194**

(58) **Field of Classification Search**  
USPC ..... D13/107–110, 118–119, 182, 199;  
D14/251, 253, 432, 434; 320/107–115;  
D27/172, 193, 194  
CPC ..... Y02E 60/12; Y02T 90/14; Y02T 90/122;  
Y02T 90/128; Y02T 90/163; H02J 7/025;  
H02J 7/0042; H02J 7/0044; H02J 7/0045;  
H02J 7/0003; H01F 38/14; H01R 13/6675;  
H01M 2/1022; H01M 2/1055; H01M 10/44;  
H01M 10/46; H01M 10/425; B60L 11/182;  
A24F 47/008

See application file for complete search history.

(56) **References Cited**

U.S. PATENT DOCUMENTS

D557,209	S	*	12/2007	Ahlgren et al.	.....	D13/108
D611,409	S	*	3/2010	Green et al.	.....	D13/110
D649,932	S	*	12/2011	Symons	.....	D13/108
D674,748	S	*	1/2013	Ferber et al.	.....	D13/108
D686,987	S	*	7/2013	Vanstone et al.	.....	D13/108
D700,572	S	*	3/2014	Esses	.....	D13/108
D704,629	S	*	5/2014	Liu	.....	D13/108
D704,634	S	*	5/2014	Eidelman et al.	.....	D13/108
2014/0014124	A1	*	1/2014	Glasberg et al.	.....	131/328

\* cited by examiner

*Primary Examiner* — Rosemary K Tarcza

(74) *Attorney, Agent, or Firm* — Wilson Sonsini Goodrich & Rosati

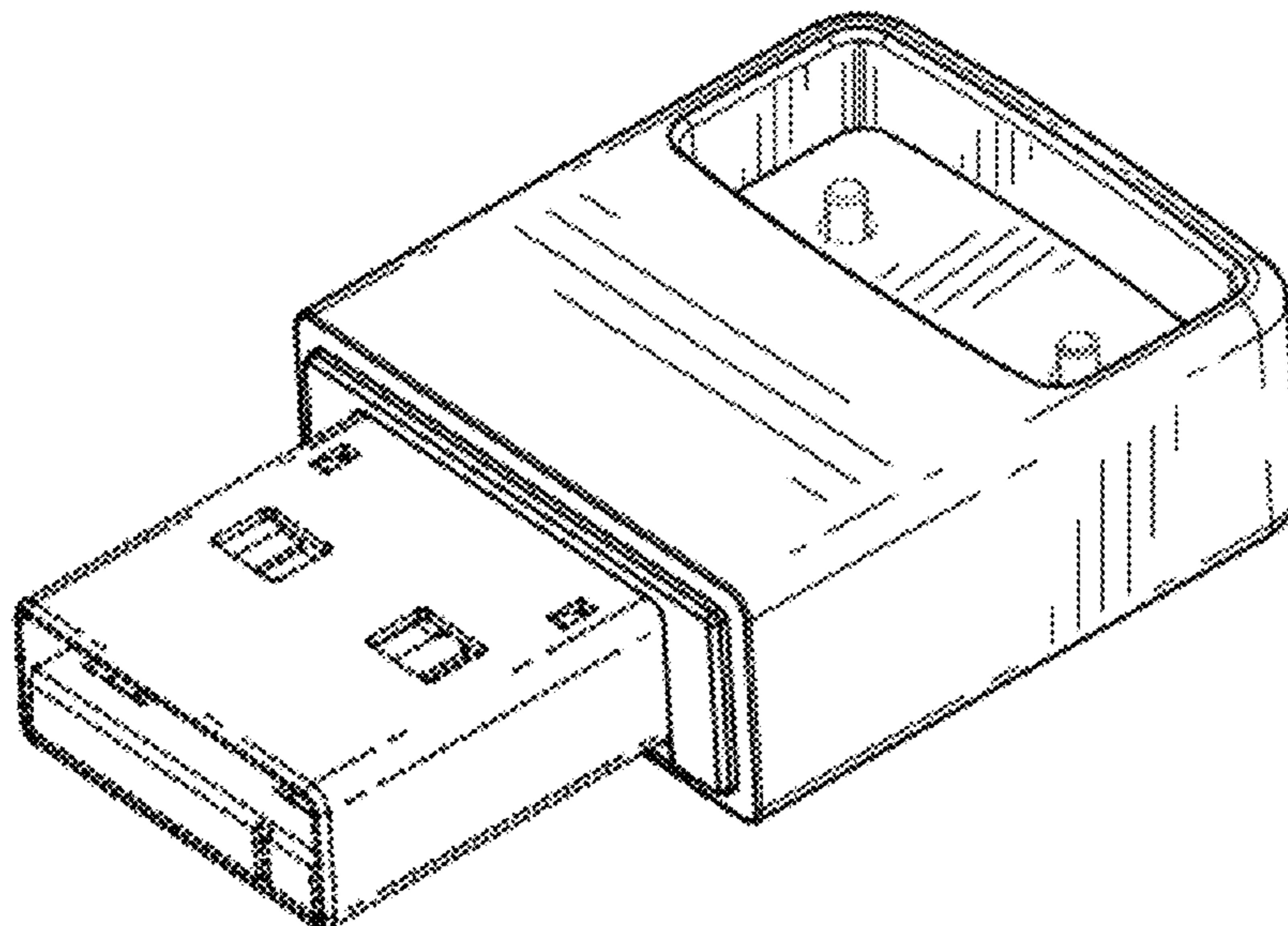
(57) **CLAIM**

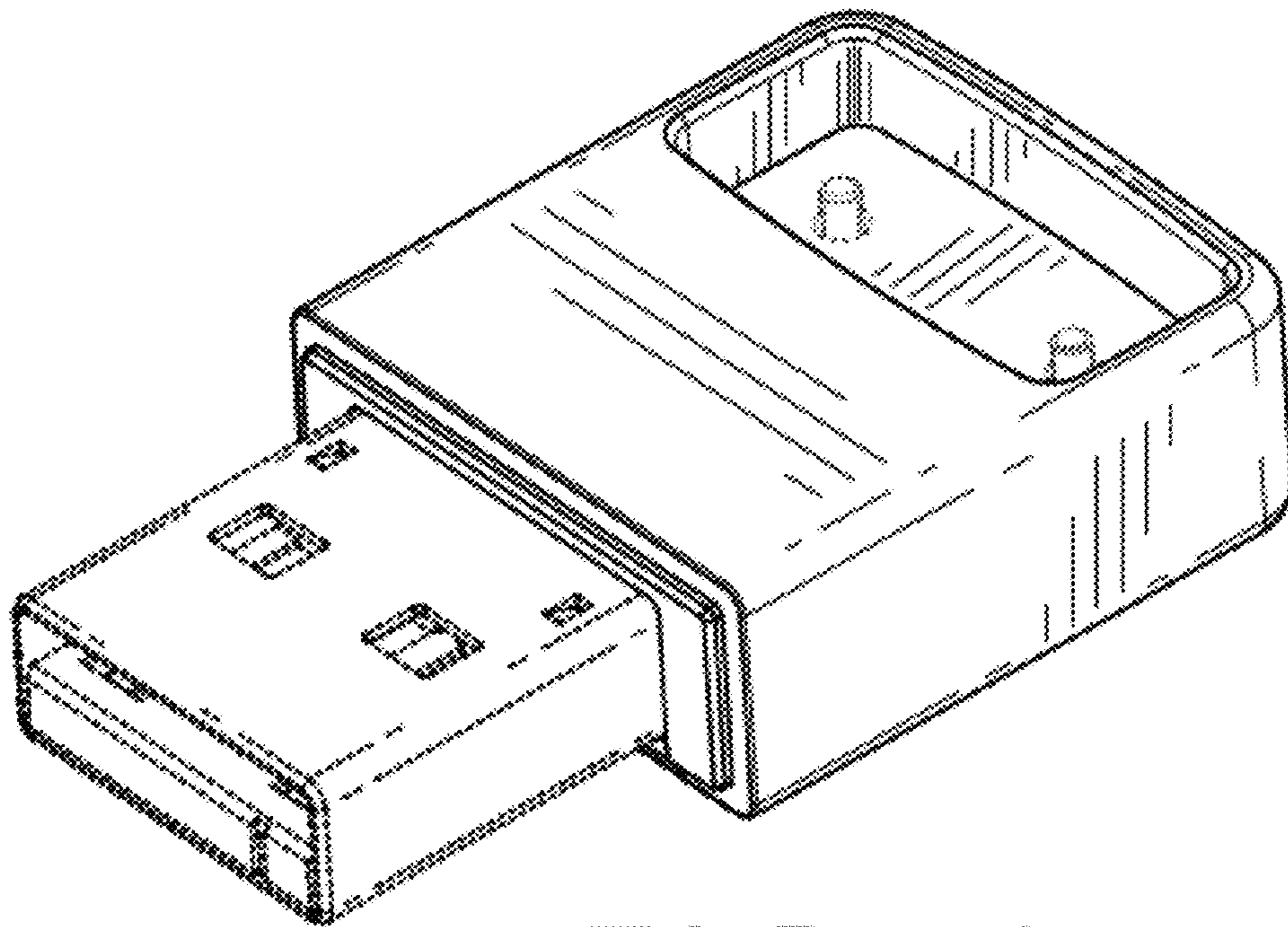
The ornamental design for a charging device for electronic vaporization device, as shown and described.

**DESCRIPTION**

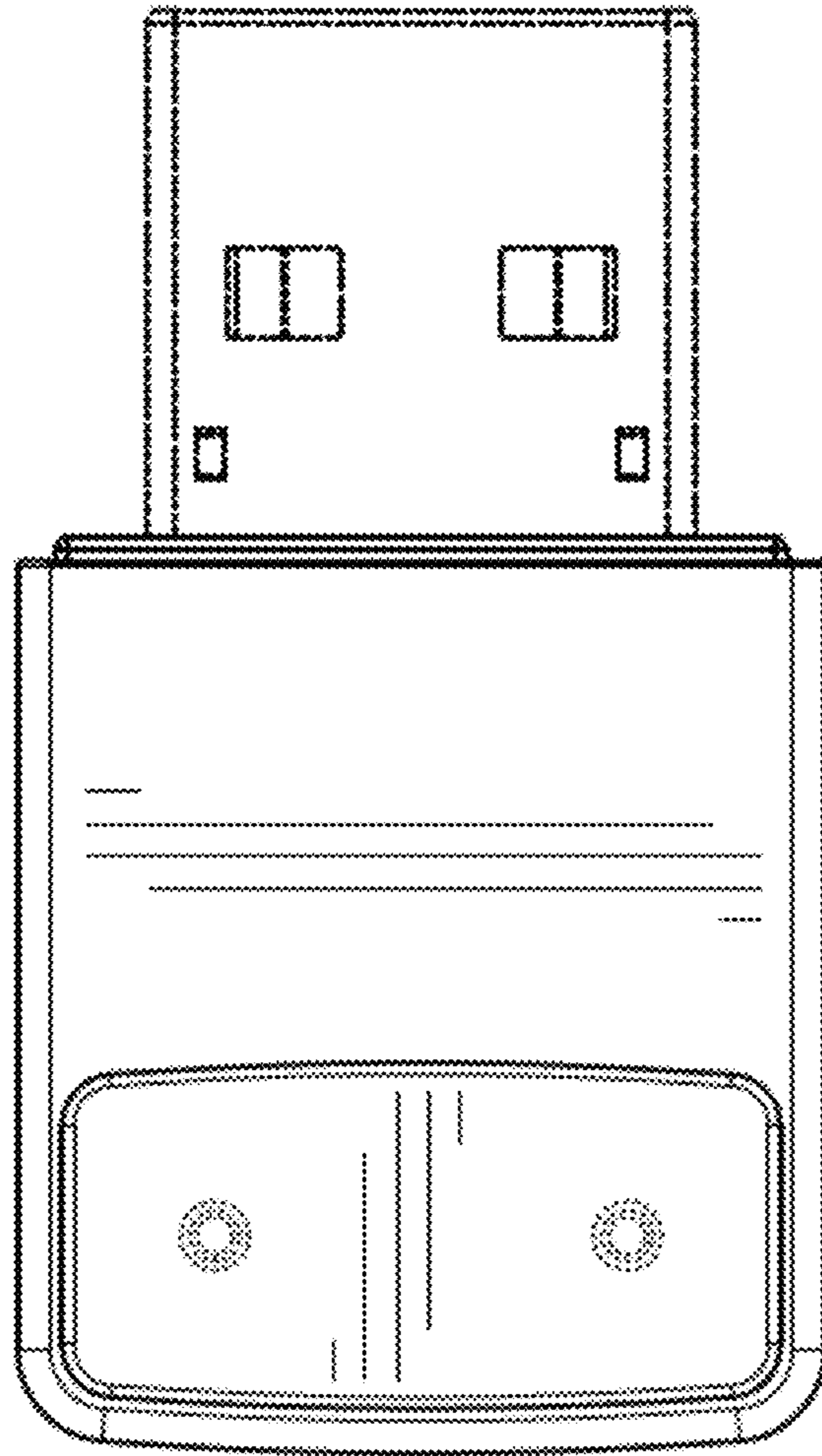
FIG. 1 is a perspective view of a charging device for electronic vaporization device, showing our new design;  
FIG. 2 is a top plan view thereof;  
FIG. 3 is a left side elevation view thereof;  
FIG. 4 is a rear elevation view thereof;  
FIG. 5 is a right side elevation view thereof;  
FIG. 6 is a front elevation view thereof; and,  
FIG. 7 is a bottom plan view thereof.  
The broken lines shown in the drawings are included for the purpose of illustrating environmental structure and form no part of the claimed design.

**1 Claim, 7 Drawing Sheets**

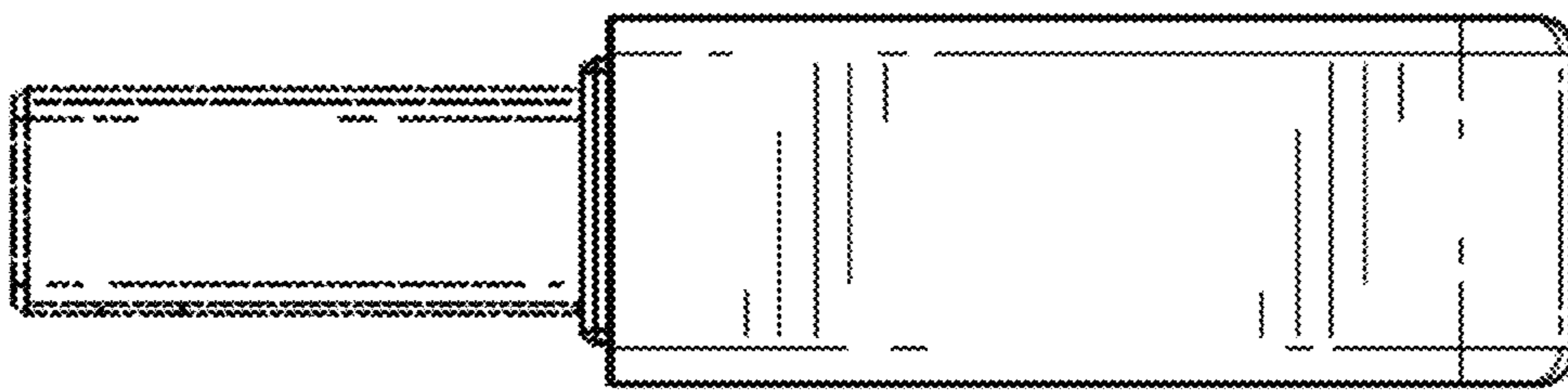




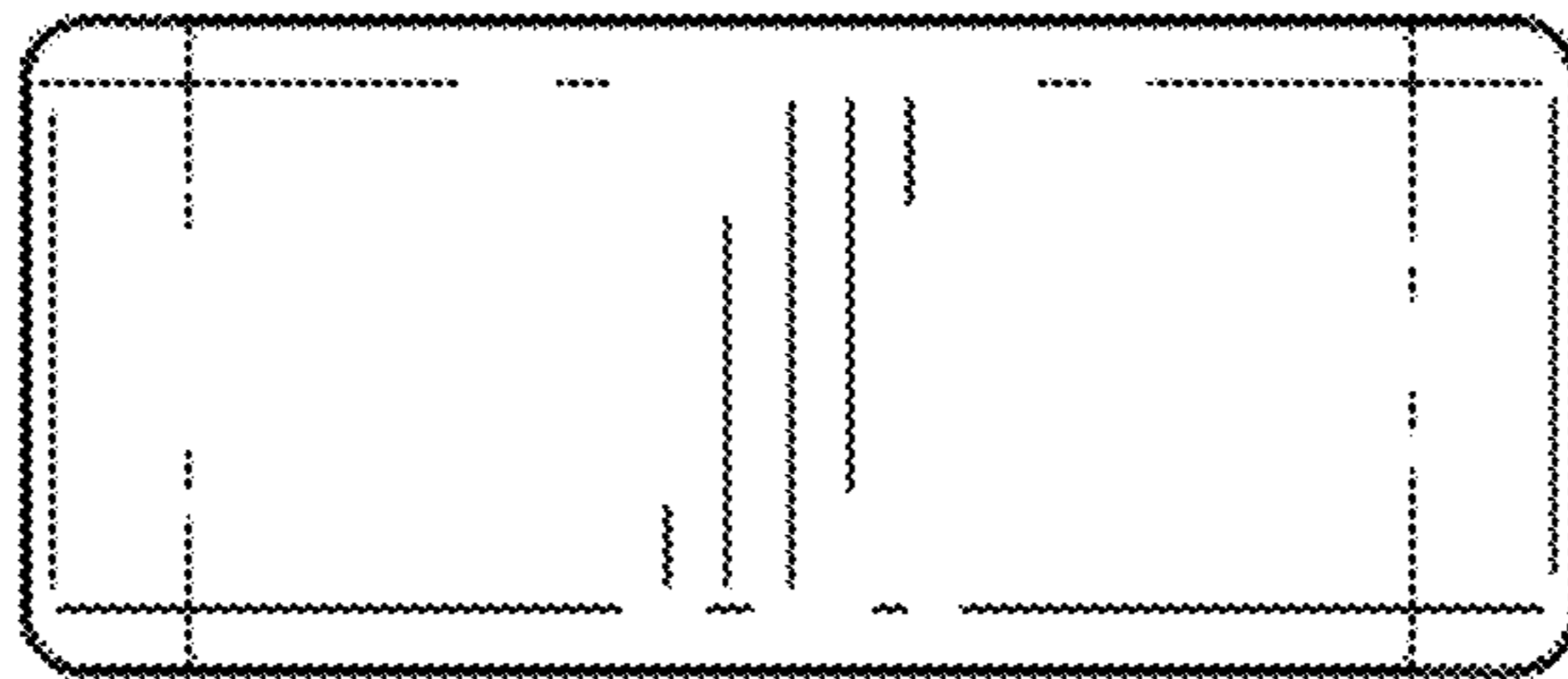
**FIG. 1**



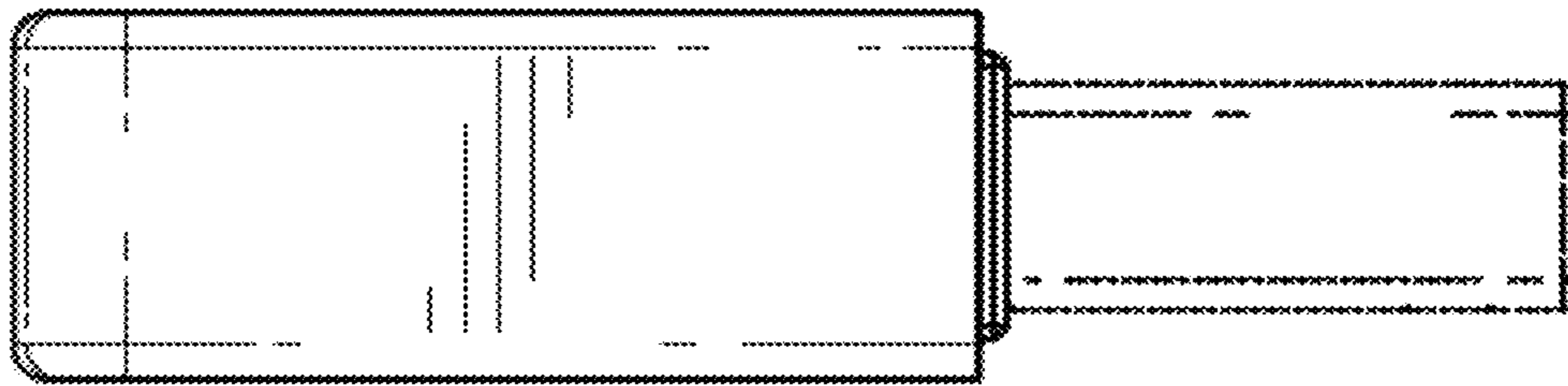
**FIG. 2**



**FIG. 3**



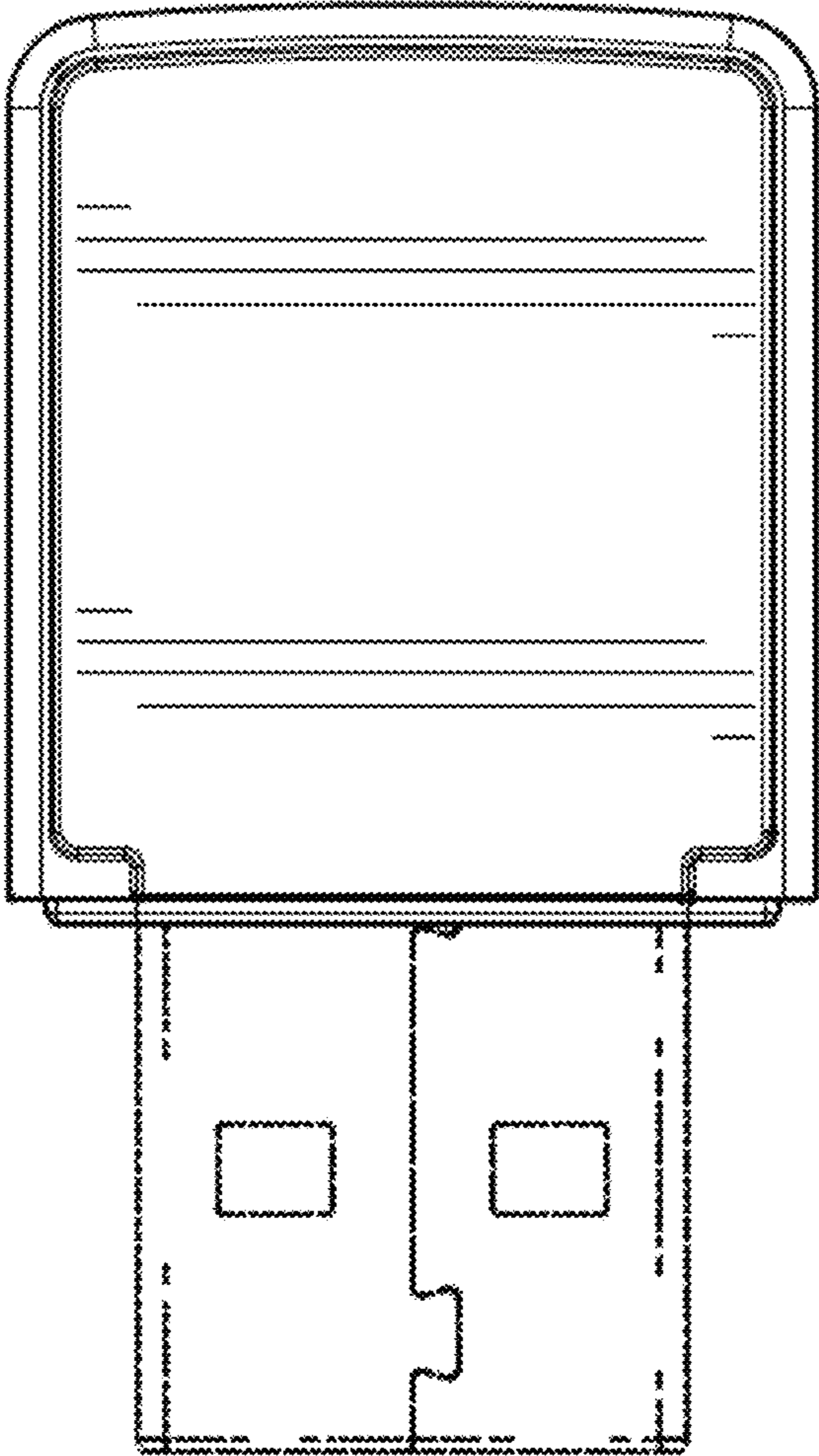
**FIG. 4**



**FIG. 5**



**FIG. 6**



**FIG. 7**