



US00D744418S

(12) **United States Design Patent**
Ogihara et al.

(10) **Patent No.:** **US D744,418 S**

(45) **Date of Patent:** **** Dec. 1, 2015**

(54) **CHARGER FOR ACTIVITY MONITOR WITH SLEEP STATE MEASURING FUNCTION**

(71) Applicant: **OMRON HEALTHCARE Co., Ltd.**,
Kyoto (JP)

(72) Inventors: **Tsuyoshi Ogihara**, Kyoto (JP); **Shusuke Eshita**, Kyoto (JP)

(73) Assignee: **OMRON HEALTHCARE Co., Ltd.**,
Kyoto (JP)

(**) Term: **14 Years**

(21) Appl. No.: **29/492,643**

(22) Filed: **Jun. 2, 2014**

(30) **Foreign Application Priority Data**

Dec. 4, 2013 (JP) 2013-028429

(51) **LOC (10) Cl.** **13-02**

(52) **U.S. Cl.**
USPC **D13/108**

(58) **Field of Classification Search**
USPC D13/107-110, 118-119, 182, 199;
D14/251, 253, 432, 434; 320/107-115;
D24/165, 167, 169
CPC Y02E 60/12; Y02T 90/14; Y02T 90/122;
Y02T 90/128; Y02T 90/163; H02J 7/025;
H02J 7/0042; H02J 7/0044; H02J 7/0045;
H02J 7/0003; H01F 38/14; H01R 13/6675;
H01M 2/1022; H01M 2/1055; H01M 10/44;
H01M 10/46; H01M 10/425; B60L 11/182
See application file for complete search history.

(56) **References Cited**

U.S. PATENT DOCUMENTS

3,183,891 A *	5/1965	MacDonald	H02J 7/0042 15/3.53
D344,709 S *	3/1994	Cooper	D13/110
D444,449 S *	7/2001	Yamamoto	D13/107
D460,412 S *	7/2002	Nawrozki	D13/107
D646,391 S *	10/2011	Ibuki	D24/165
D670,388 S *	11/2012	Jin	D24/165
D703,135 S *	4/2014	Dasbach	D13/110
D711,314 S *	8/2014	Marino	D13/107
D722,022 S *	2/2015	Dasbach	D13/110

* cited by examiner

Primary Examiner — Rosemary K Tarca

(74) *Attorney, Agent, or Firm* — Capitol City TechLaw

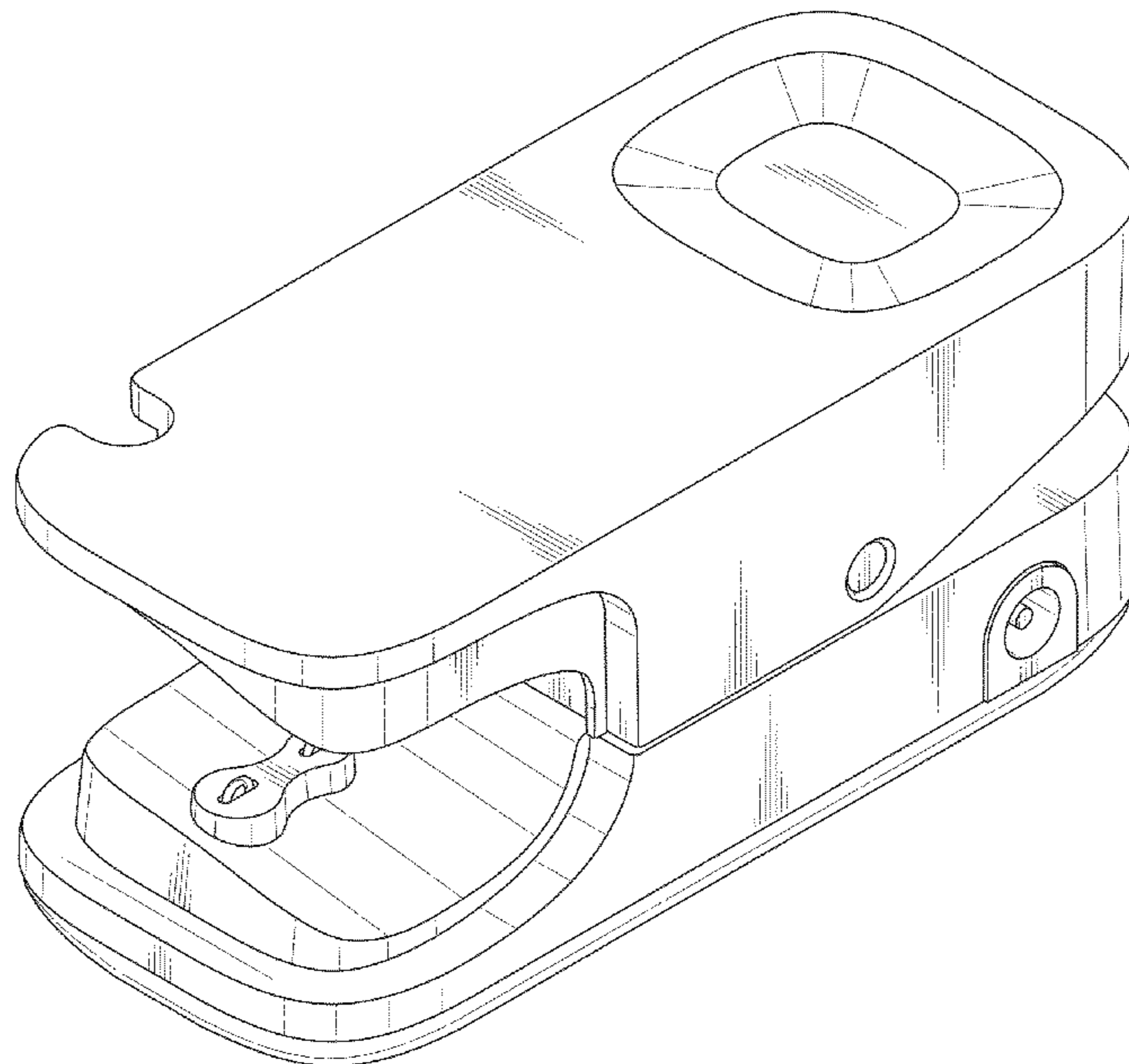
(57) **CLAIM**

The ornamental design for a charger for activity monitor with sleep state measuring function, as shown and described.

DESCRIPTION

FIG. 1 is a front, bottom, and left side perspective view of a charger for activity monitor with sleep state measuring function showing our new design; FIG. 2 is a rear, top, and right side perspective view thereof; FIG. 3 is a front view thereof; FIG. 4 is a rear view thereof; FIG. 5 is a top view thereof; FIG. 6 is a bottom view thereof; FIG. 7 is a right side view thereof; FIG. 8 is a left side view thereof; FIG. 9 is a front, bottom, and left side perspective view thereof in an opened position; and, FIG. 10 is rear, top, and left side perspective view thereof in the opened position.

1 Claim, 10 Drawing Sheets



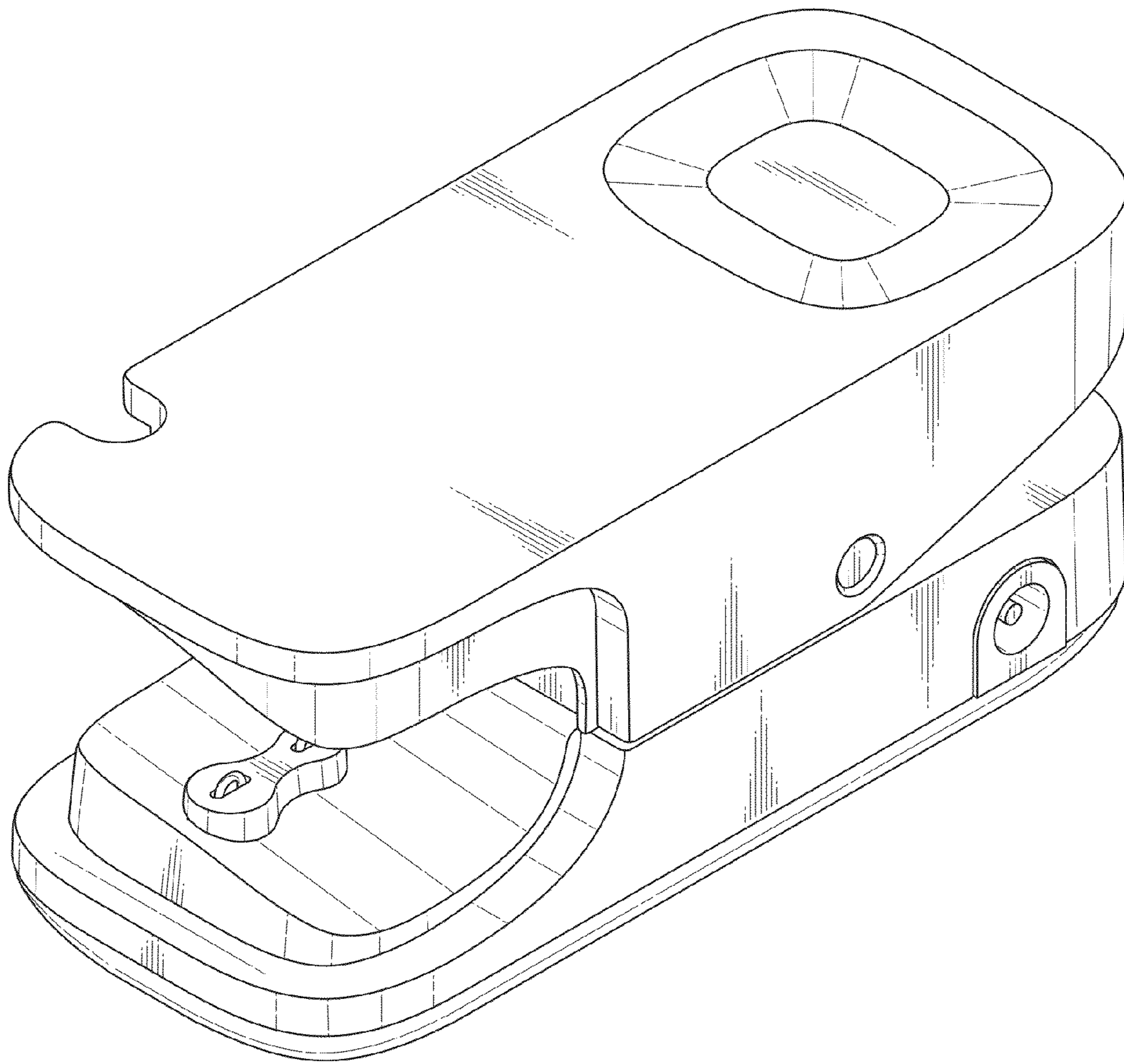


FIG.1

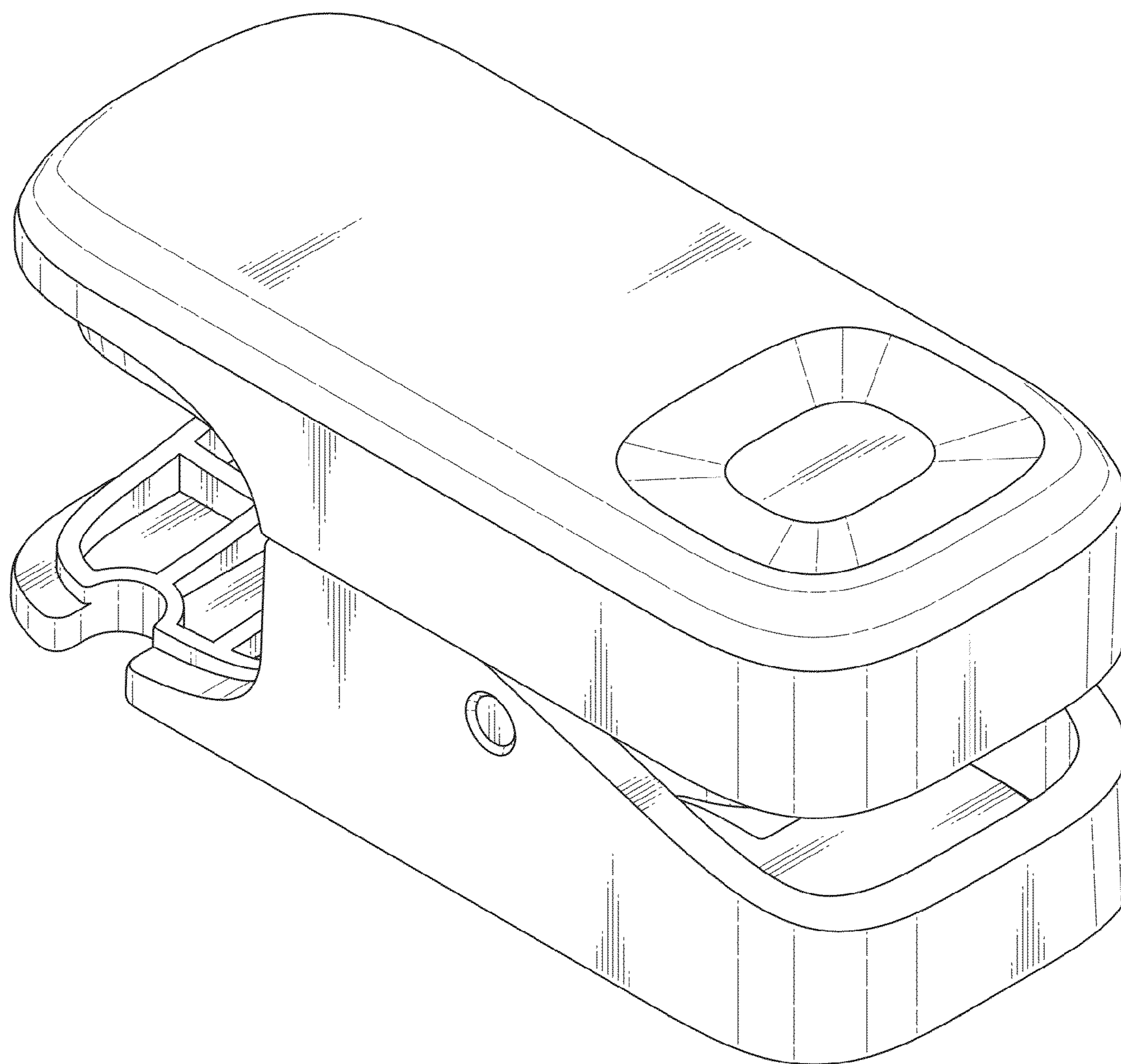


FIG.2

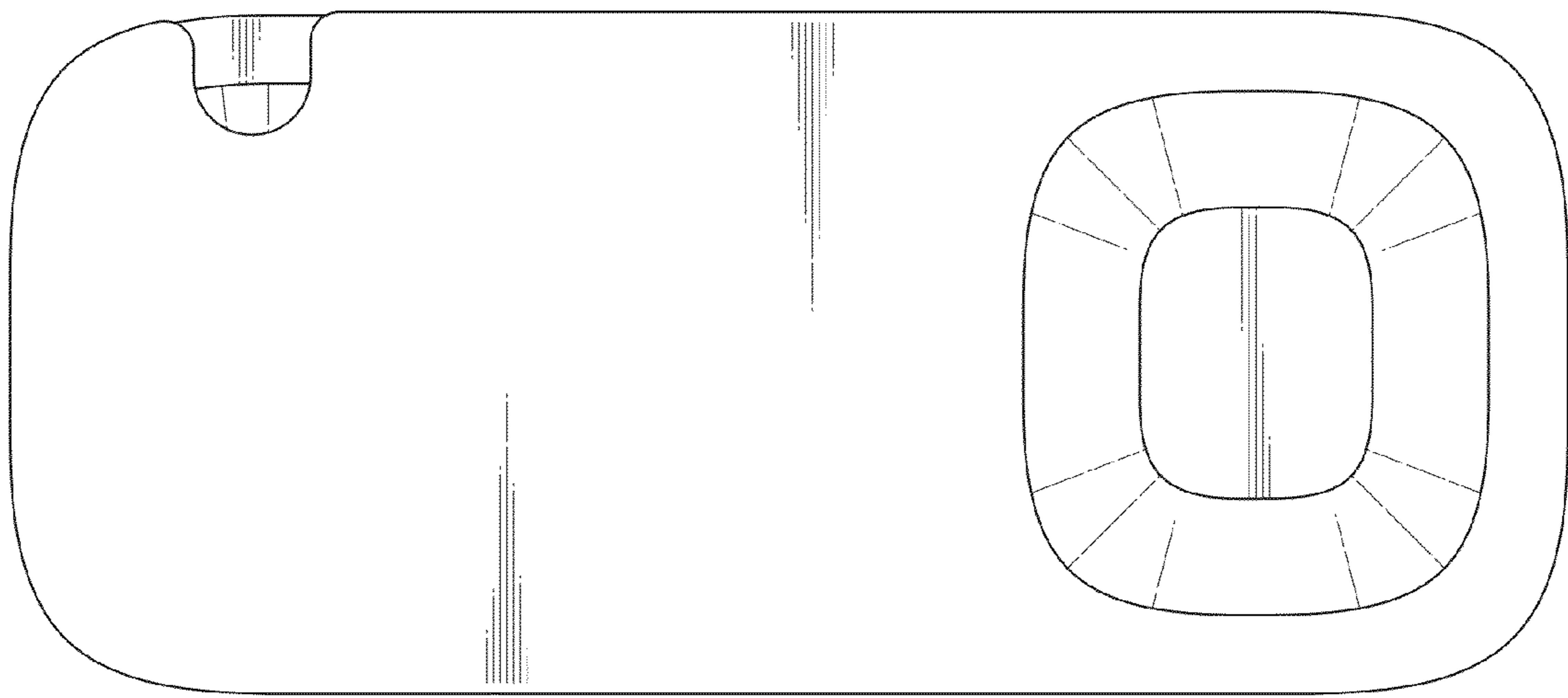


FIG.3

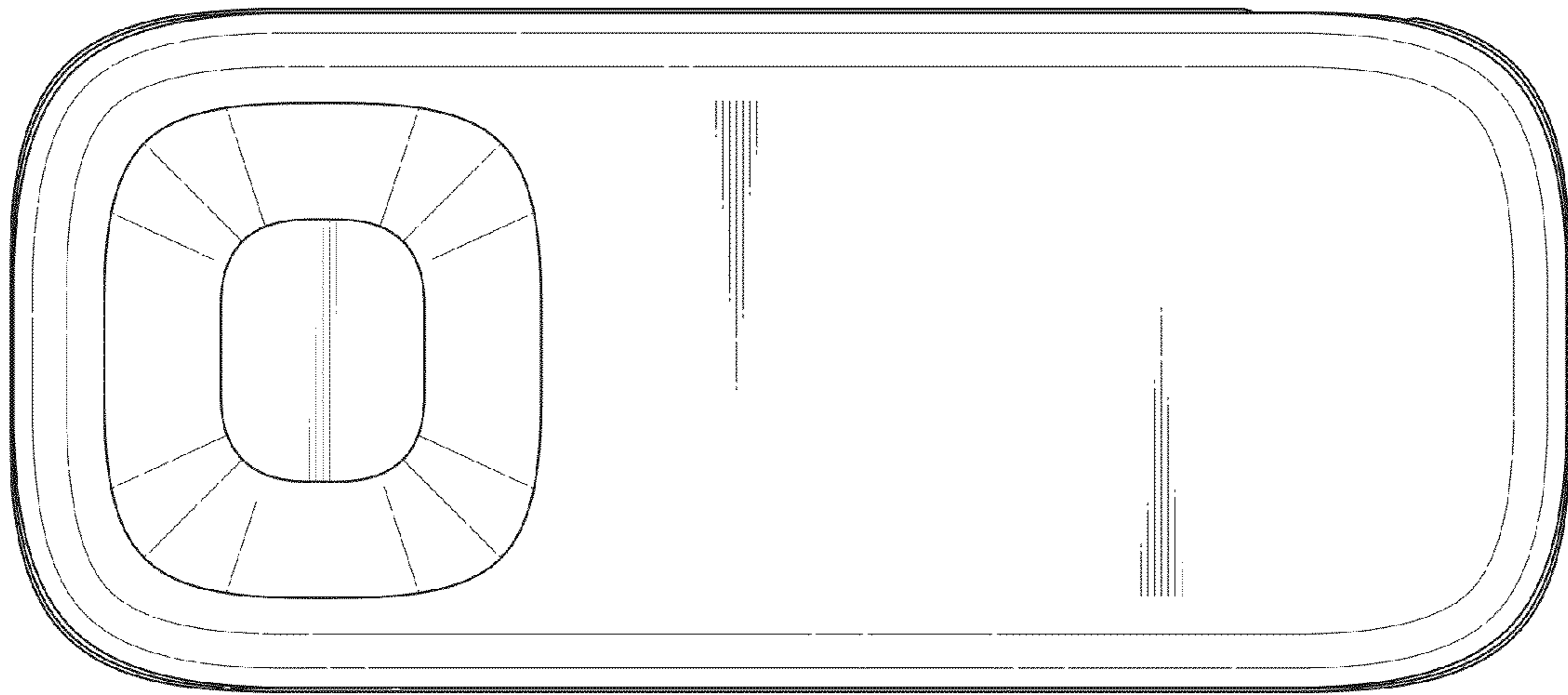


FIG.4

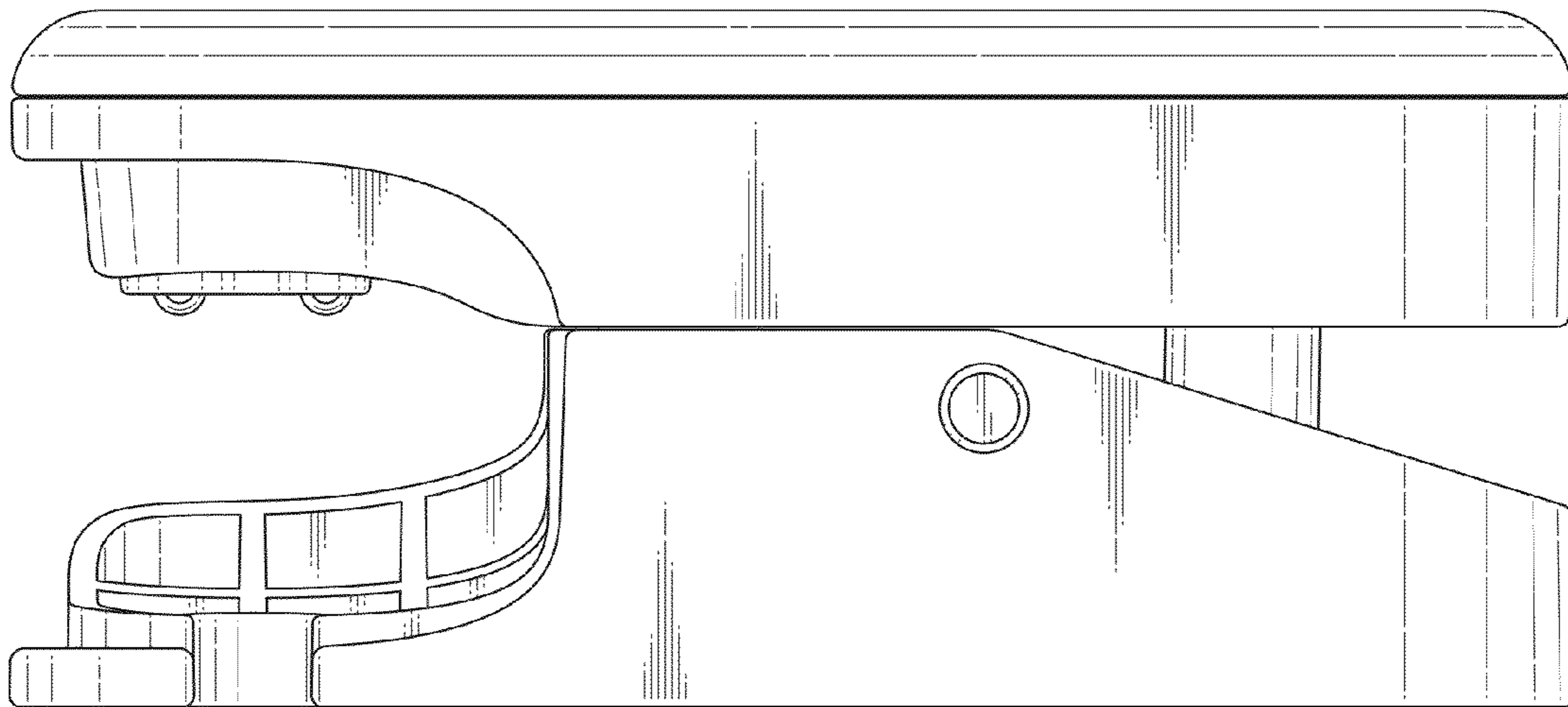


FIG.5

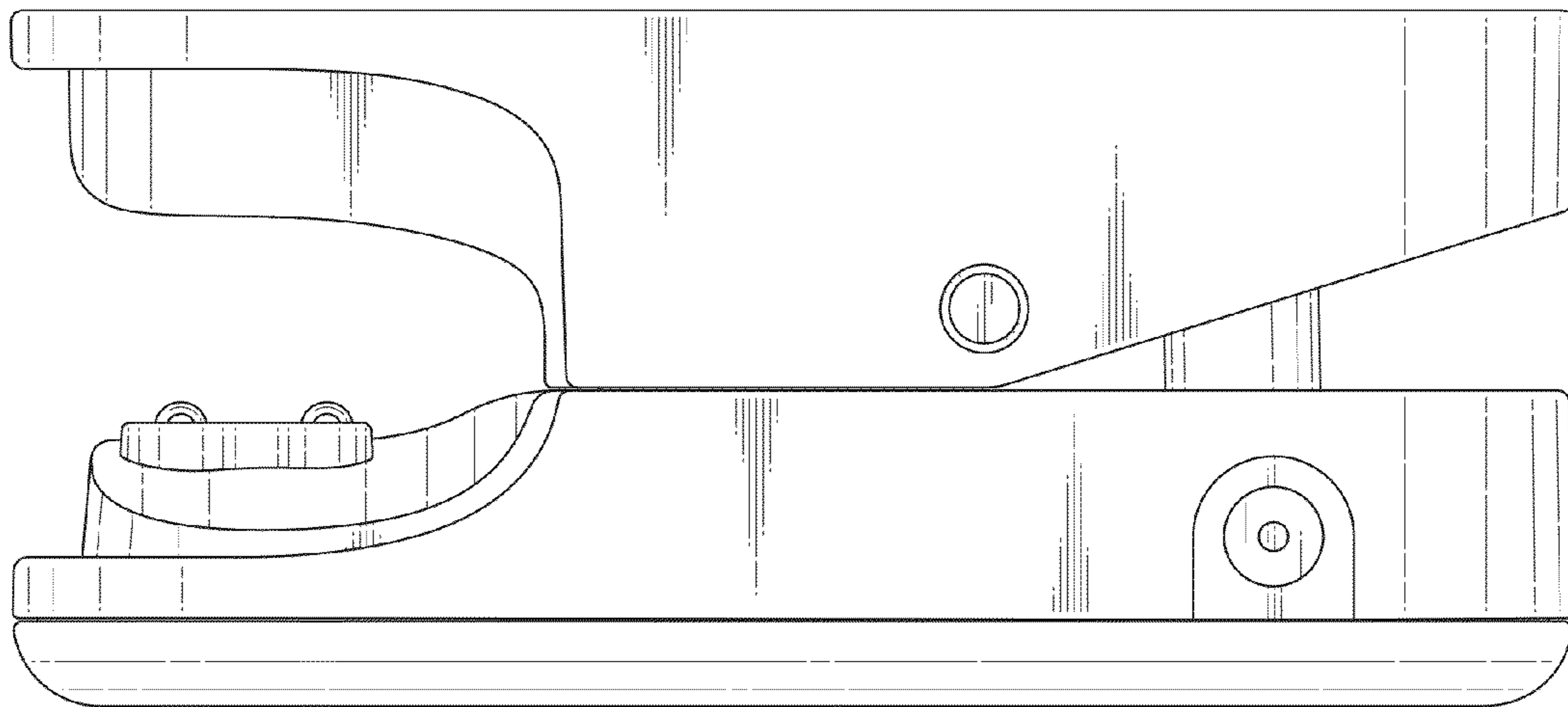


FIG.6

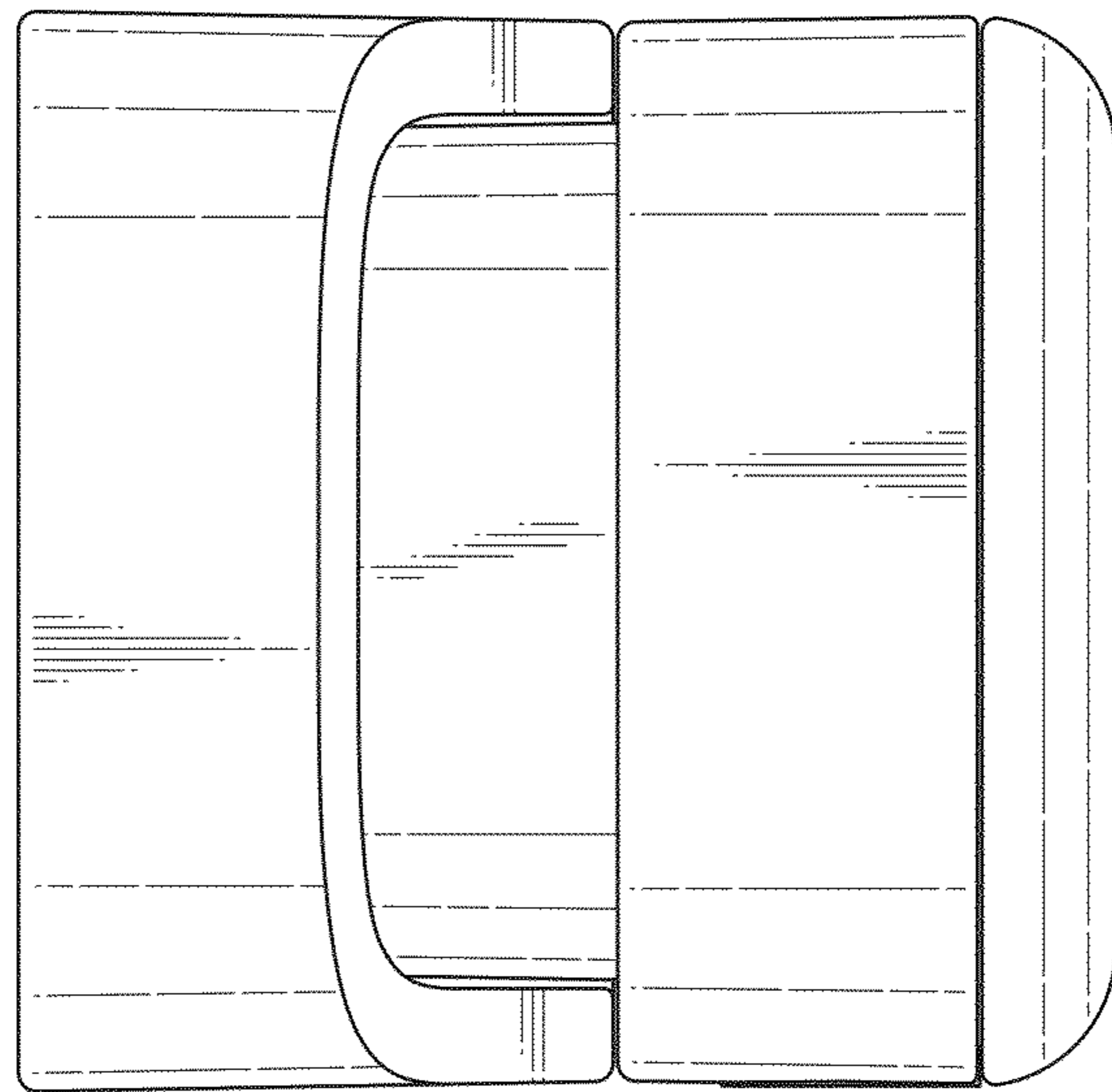


FIG. 7

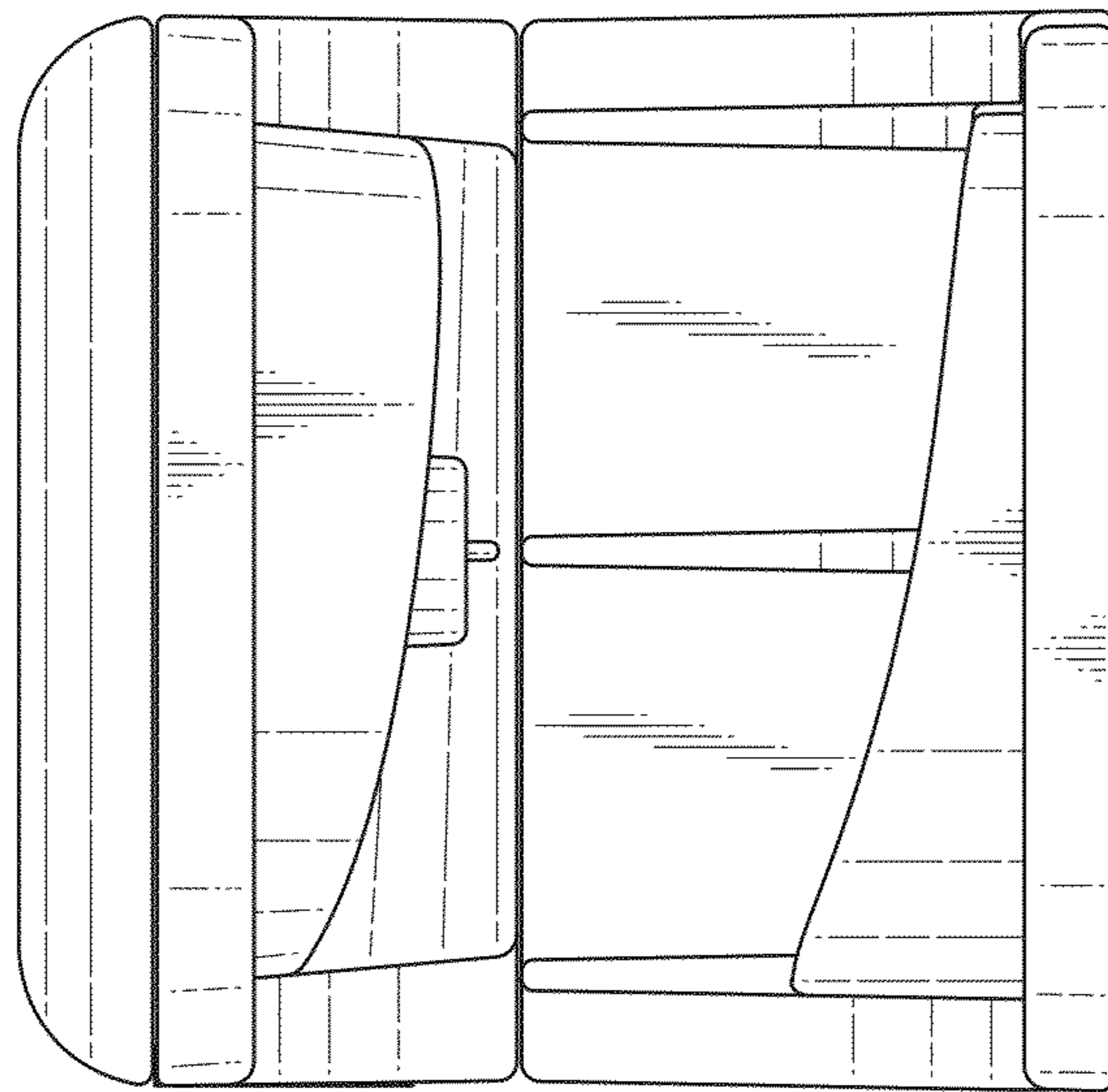


FIG.8

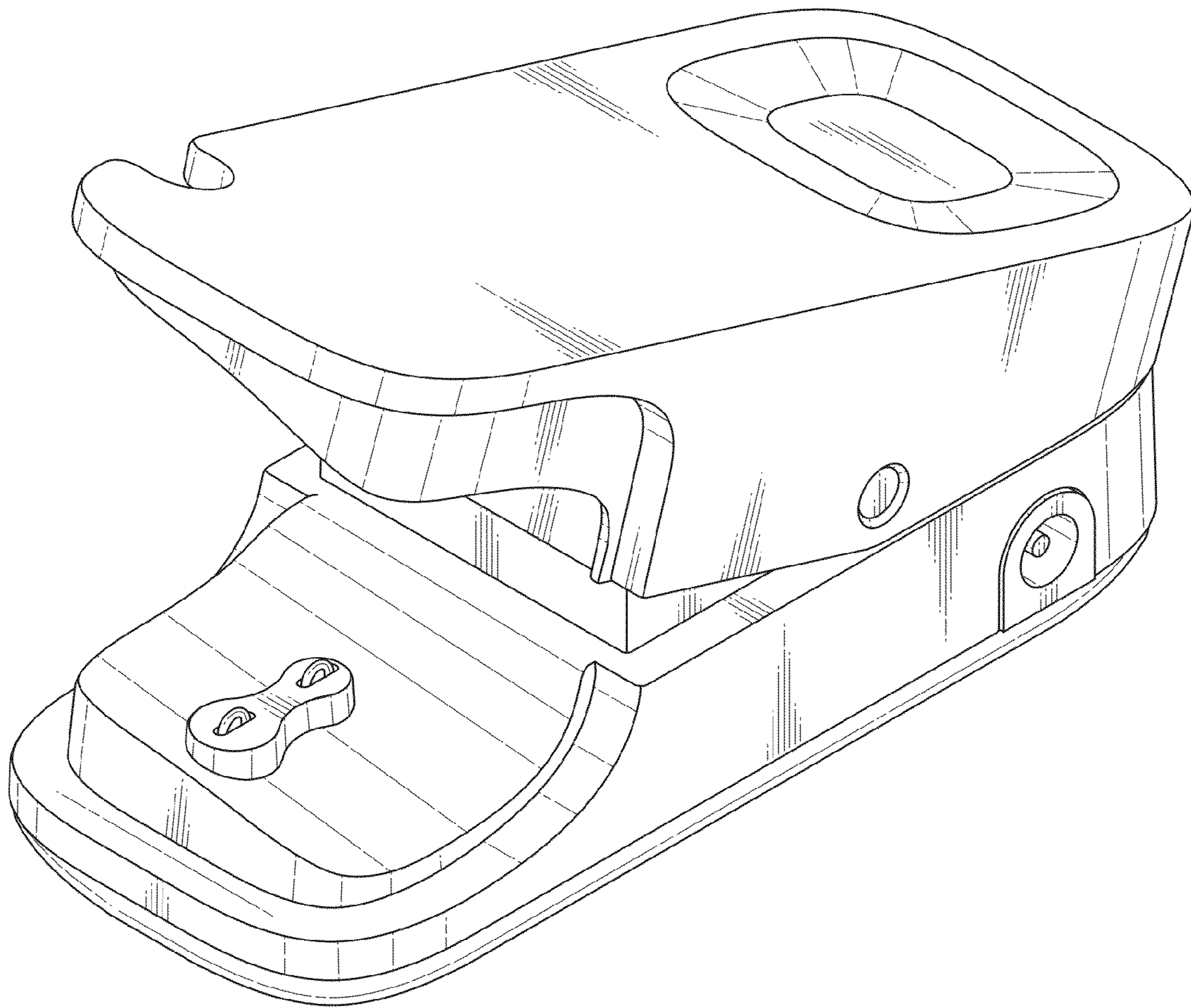


FIG.9

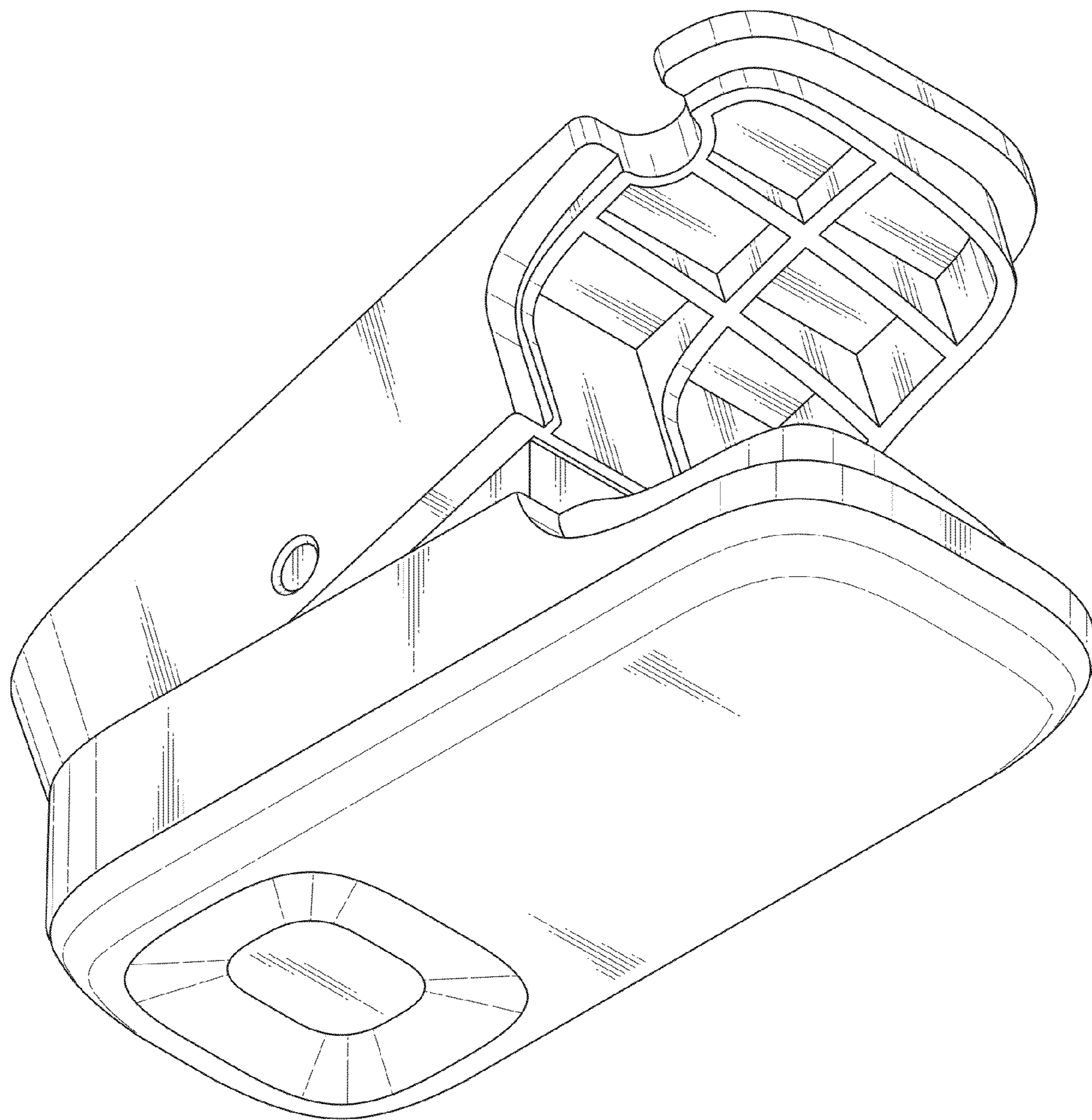


FIG.10