



US00D744417S

(12) **United States Design Patent**
Au

(10) **Patent No.:** **US D744,417 S**
(45) **Date of Patent:** **** Dec. 1, 2015**

- (54) **SOLAR TRACKER CLAMP**
- (71) Applicant: **NEXTracker Inc.**, Fremont, CA (US)
- (72) Inventor: **Alexander W. Au**, El Cerrito, CA (US)
- (73) Assignee: **NEXTracker Inc.**, Fremont, CA (US)
- (**) Term: **14 Years**
- (21) Appl. No.: **29/448,811**
- (22) Filed: **Mar. 13, 2013**
- (51) **LOC (10) Cl.** **13-02**
- (52) **U.S. Cl.**
USPC **D13/102**
- (58) **Field of Classification Search**
USPC D13/102, 118, 184, 199; D8/72, 74,
D8/349, 354, 355; 52/173.3; 126/573, 580,
126/651, 656, 704; 136/206, 244-251, 256,
136/291, 292
CPC F24J 2/38; F24J 2/40; F24J 2/54;
F24J 2002/385; H01L 31/042; H01L 31/043;
H01L 31/052; H01L 31/0525
See application file for complete search history.

4,317,031	A *	2/1982	Findell	250/203.4
D438,093	S *	2/2001	Mandujano	D8/396
D439,833	S *	4/2001	Nakamura	D8/395
D627,717	S *	11/2010	Munoz et al.	D13/102
D651,969	S *	1/2012	Turk et al.	D13/102
8,181,926	B2 *	5/2012	Magno et al.	248/237
8,274,028	B2 *	9/2012	Needham	250/203.4
2004/0238025	A1 *	12/2004	Shingleton	136/246

* cited by examiner

Primary Examiner — Derrick Holland
(74) *Attorney, Agent, or Firm* — Ogawa P.C.; Richard T. Ogawa

(57) **CLAIM**
The ornamental design for a solar tracker clamp, as shown and described.

DESCRIPTION

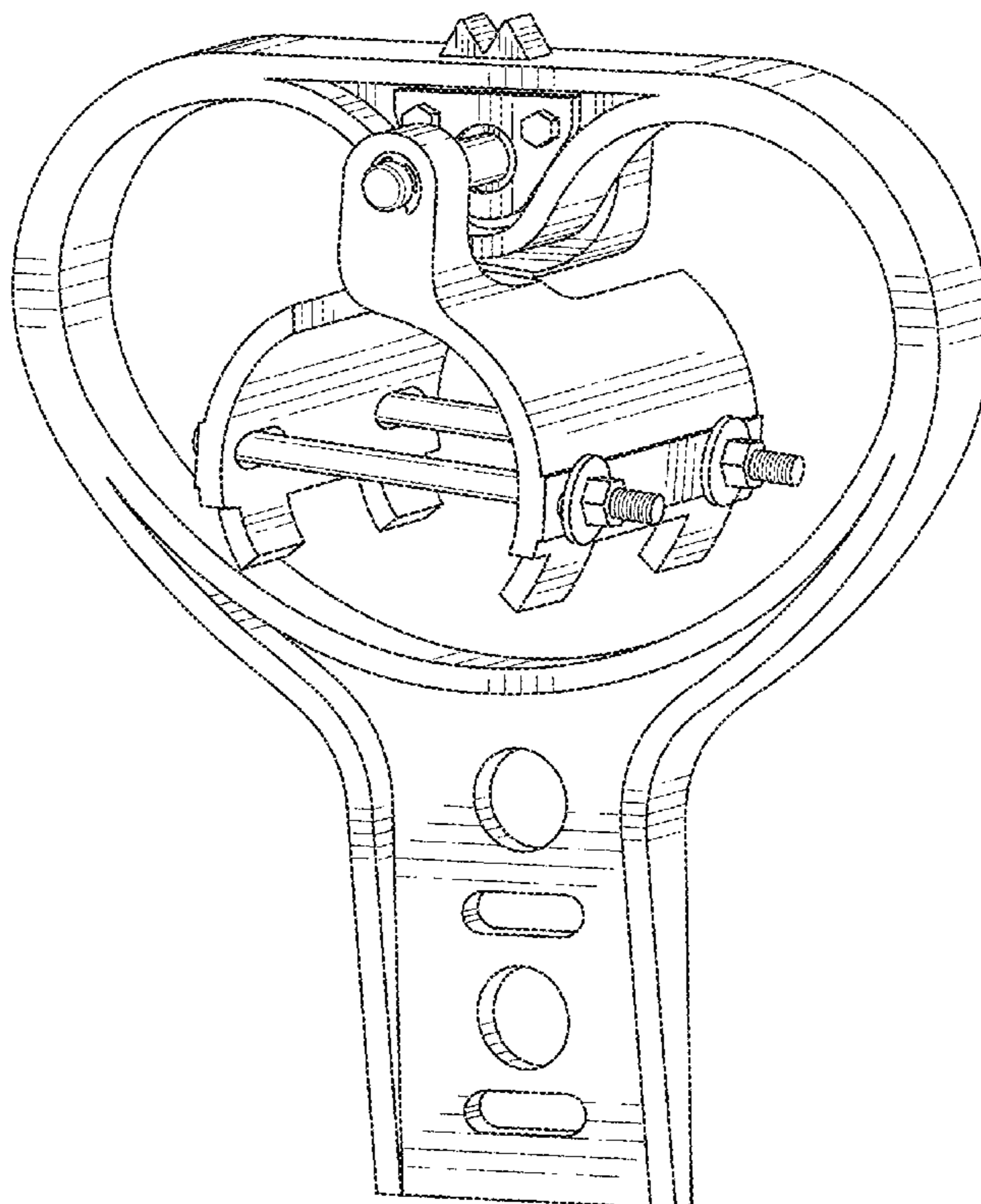
FIG. 1 is a perspective view of a solar tracker clamp showing my new design;
FIG. 2 is a front elevation view thereof;
FIG. 3 is a back elevation view thereof;
FIG. 4 is top plan view thereof;
FIG. 5 is a bottom plan view thereof;
FIG. 6 is a first side view thereof; and,
FIG. 7 is a second side view thereof.
The broken line shown of environment and all views are for illustrative purposes only and forms no part of the claimed design.

(56) **References Cited**

U.S. PATENT DOCUMENTS

4,146,784	A *	3/1979	Yekutieli	250/203.4
4,276,872	A *	7/1981	Blake et al.	126/578

1 Claim, 7 Drawing Sheets



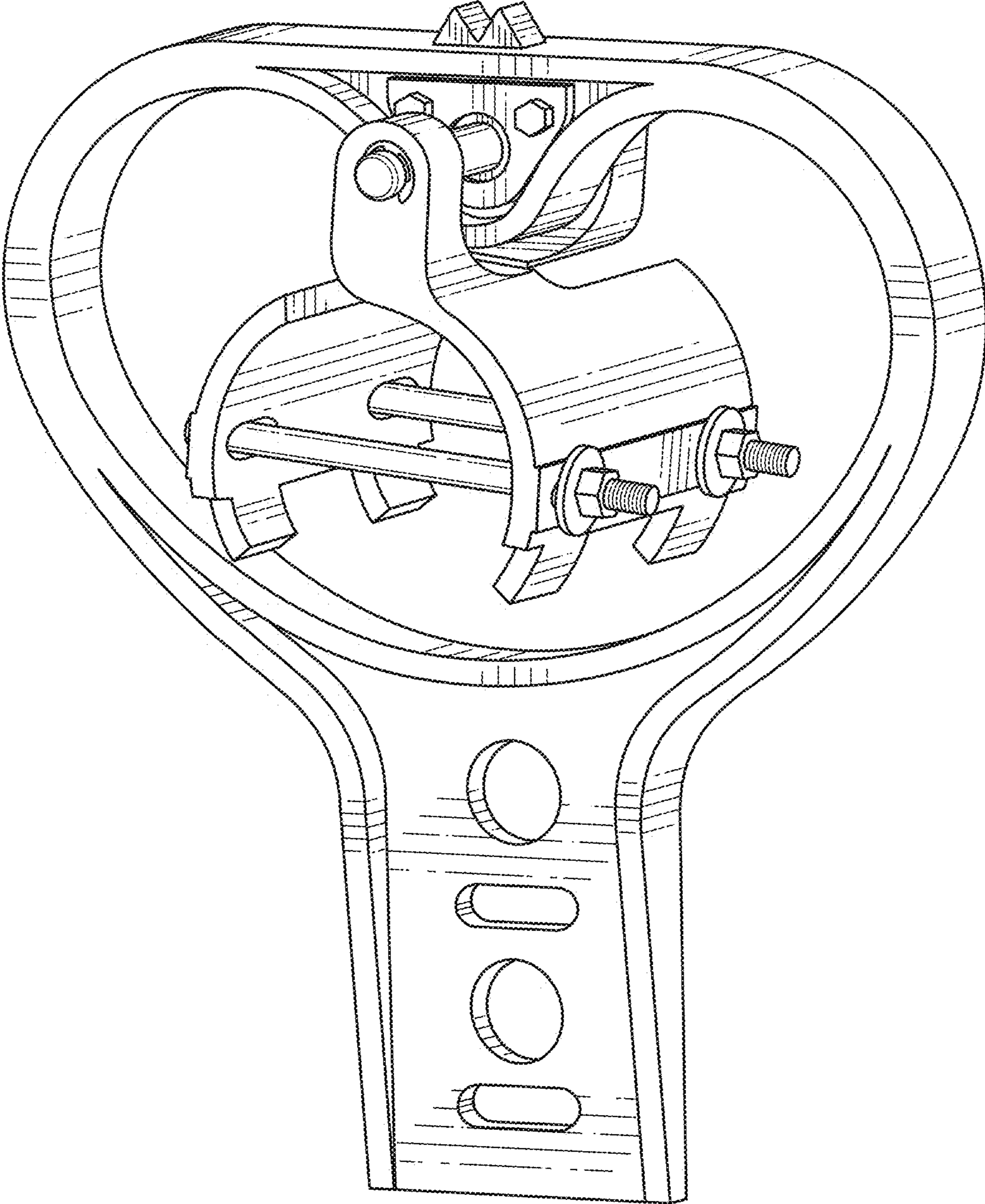


FIG. 1

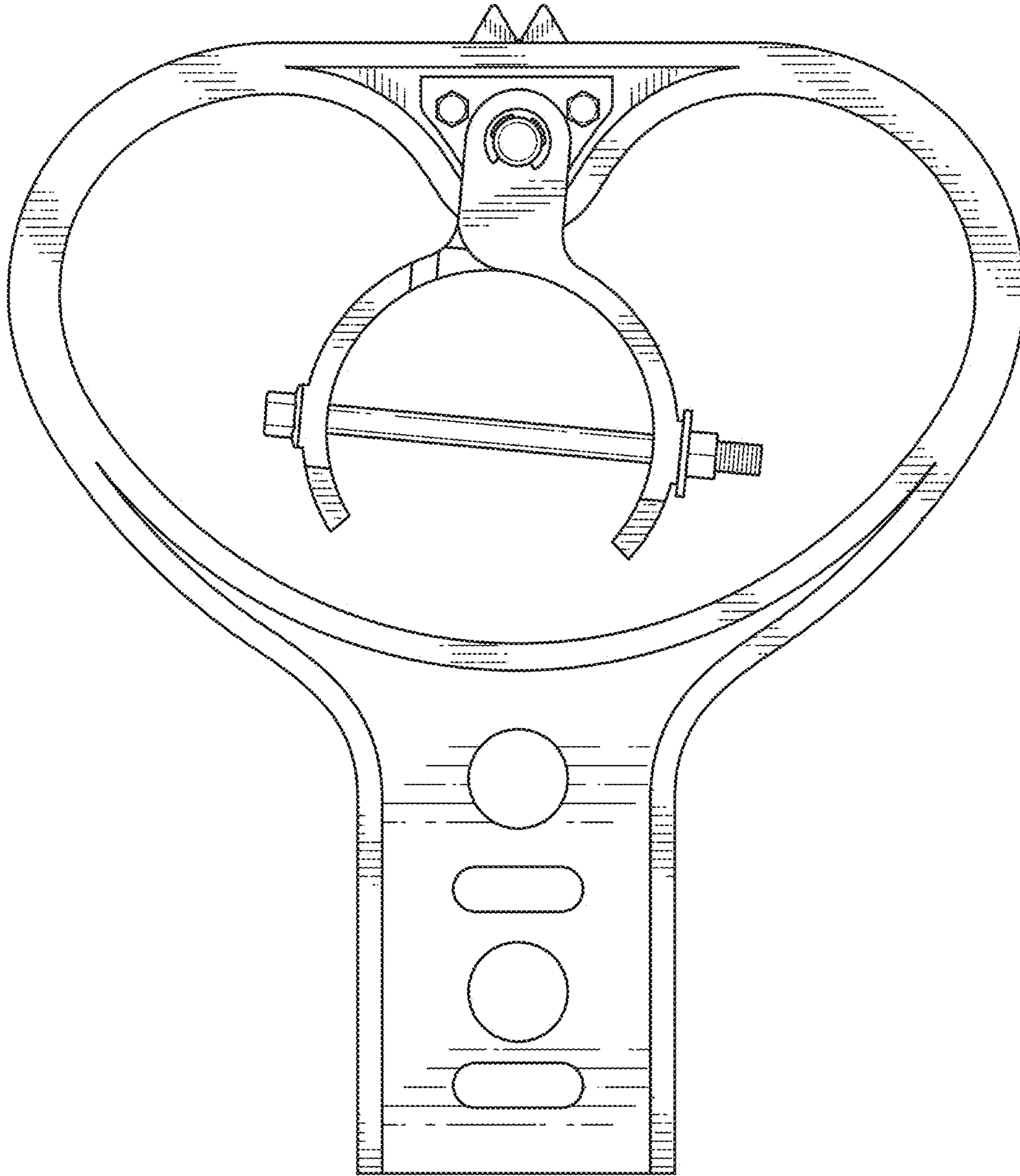


FIG. 2

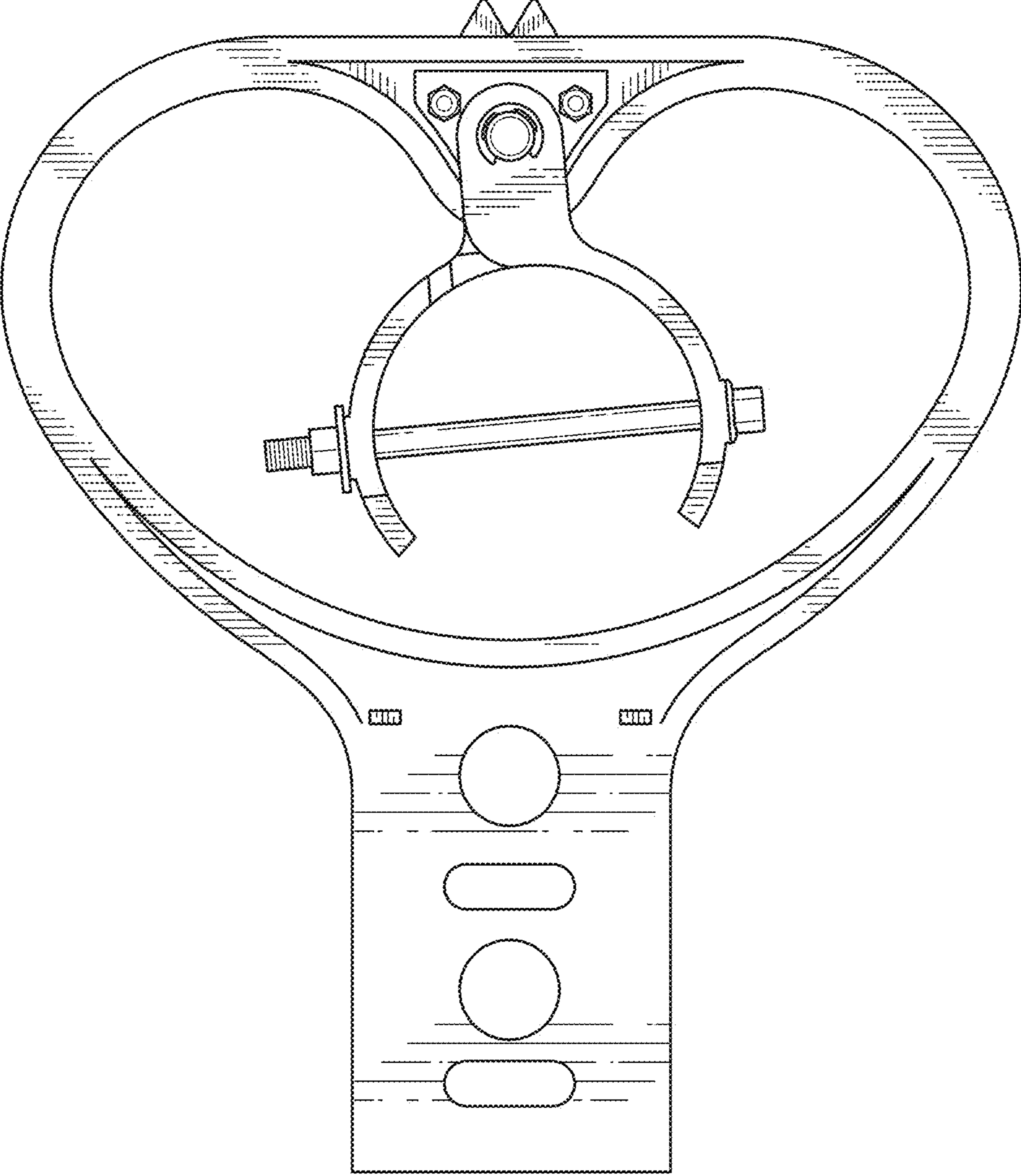


FIG. 3

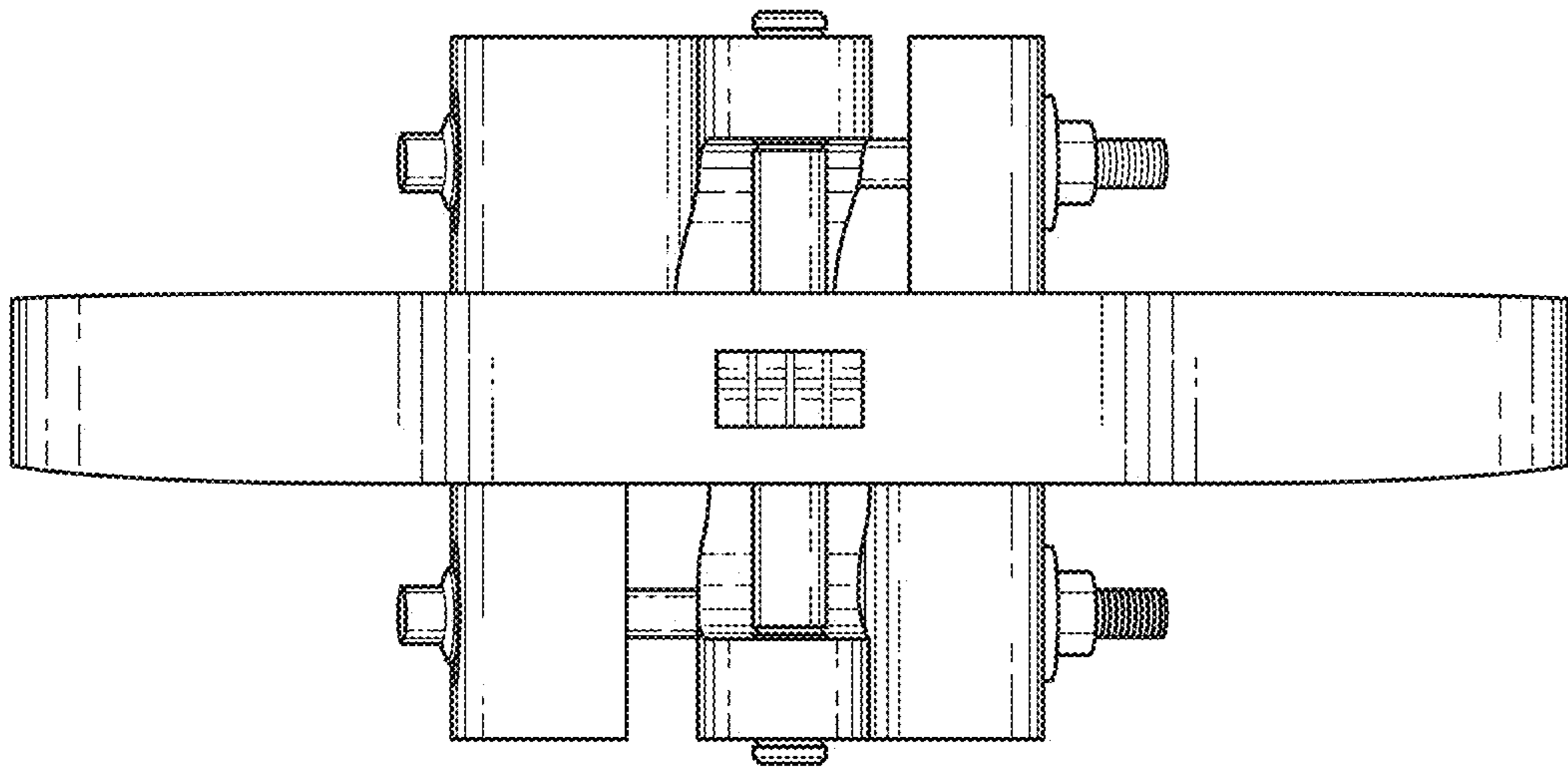


FIG. 4

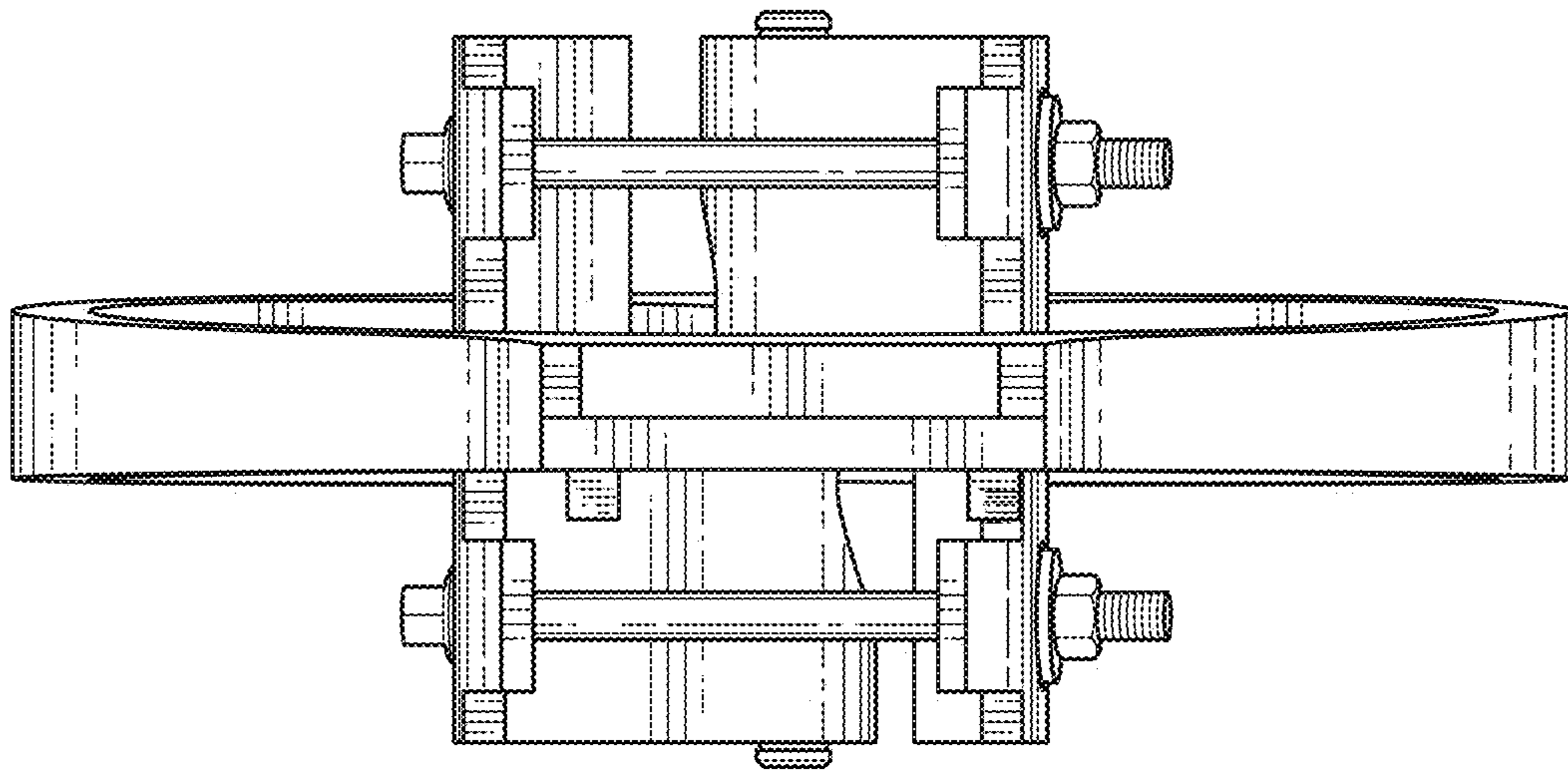


FIG. 5

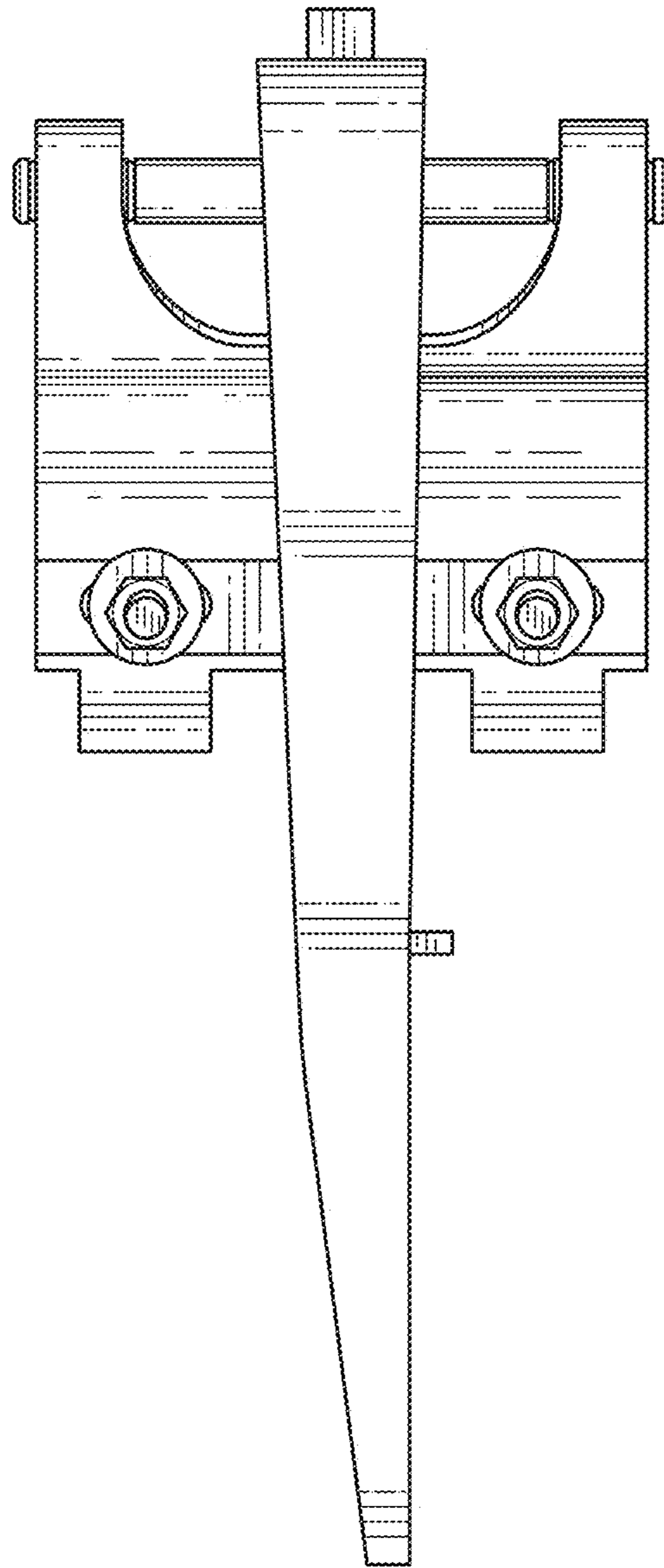


FIG. 6

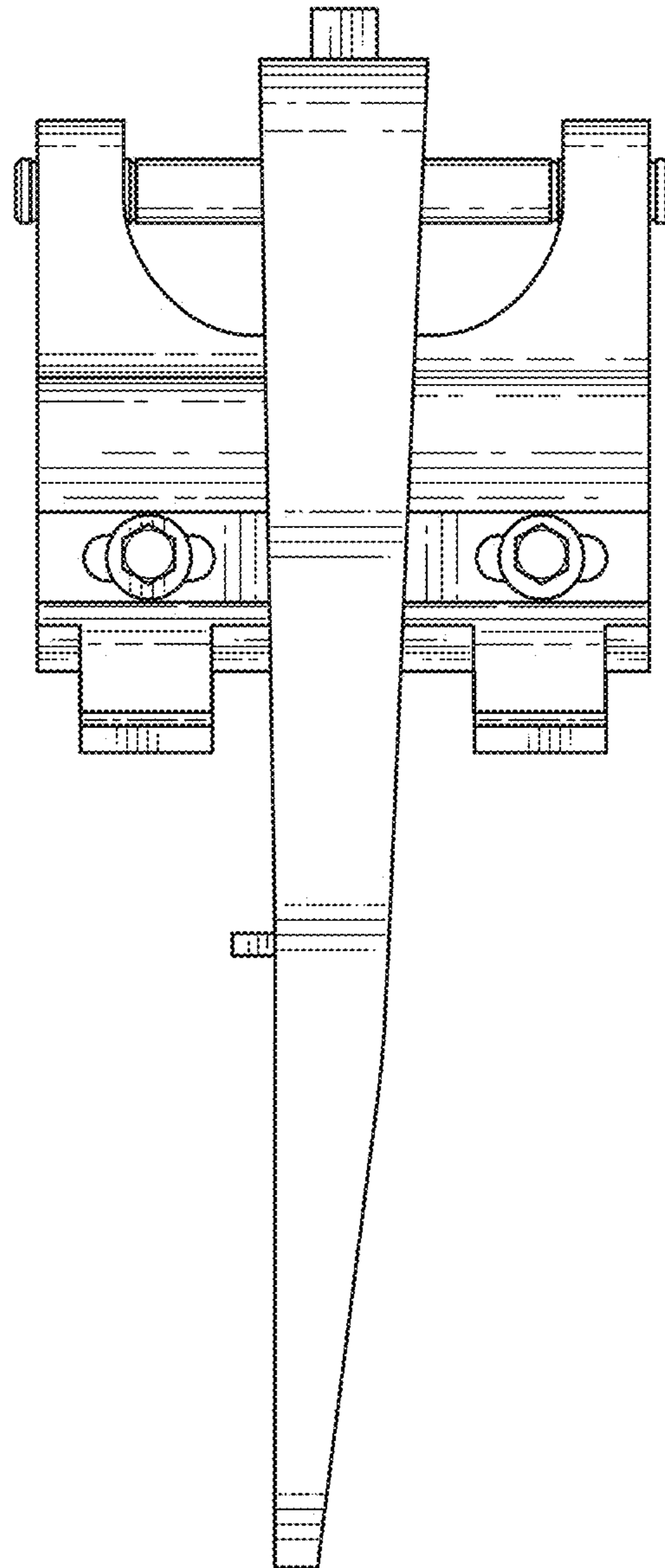


FIG. 7