



US00D744414S

(12) **United States Design Patent**  
**Hutz et al.**

(10) **Patent No.:** **US D744,414 S**

(45) **Date of Patent:** **\*\* Dec. 1, 2015**

(54) **TIRE TREAD**

- (71) Applicants: **Compagnie Generale Des Etablissements Michelin**, Clermont-Ferrand (FR); **Michelin Recherche et Technique S.A.**, Granges-Paccot (CH)
- (72) Inventors: **John A. Hutz**, Greer, SC (US); **Lyle James**, Dayton, OH (US); **Mhamed Louzri**, Taylors, SC (US); **Lee Montgomery**, Piedmont, SC (US); **David Pressley**, Taylors, SC (US); **Brad Weaver**, Greenville, SC (US)
- (73) Assignees: **MICHELIN RECHERCHE et TECHNIQUE S.A.**, Granges-Paccot (CH); **COMPAGNIE GENERALE DES ETABLISSEMENTS MICHELIN**, Clermont-Ferrand (FR)

(\*\*) Term: **14 Years**

(21) Appl. No.: **29/485,810**

(22) Filed: **Mar. 24, 2014**

(51) **LOC (10) Cl.** ..... **12-15**

(52) **U.S. Cl.**  
USPC ..... **D12/602; D12/583**

(58) **Field of Classification Search**  
USPC ..... D12/568-603; 152/209.1-209.28  
CPC .... B60C 11/0306; B60C 11/04; B60C 11/12;  
B60C 11/13; B60C 11/11; B60C 11/005;  
B60C 11/1307; B60C 1/0016; B60C  
2011/1213

See application file for complete search history.

(56) **References Cited**

U.S. PATENT DOCUMENTS

D502,683 S *	3/2005	Pang .....	D12/602
D548,174 S *	8/2007	Souchet .....	D12/602
D598,369 S *	8/2009	Beha .....	D12/583
D609,166 S *	2/2010	Brown .....	D12/583
D633,032 S	2/2011	Su .....	
D641,314 S *	7/2011	Strader .....	D12/583
D710,296 S *	8/2014	Bani Hani .....	D12/583
D735,118 S *	7/2015	Dixon .....	D12/578

\* cited by examiner

*Primary Examiner* — George D Kirschbaum

*Assistant Examiner* — Jennifer Watkins

(74) *Attorney, Agent, or Firm* — Dority & Manning, P.A.

(57) **CLAIM**

The ornamental design for a tire tread, as shown and described.

**DESCRIPTION**

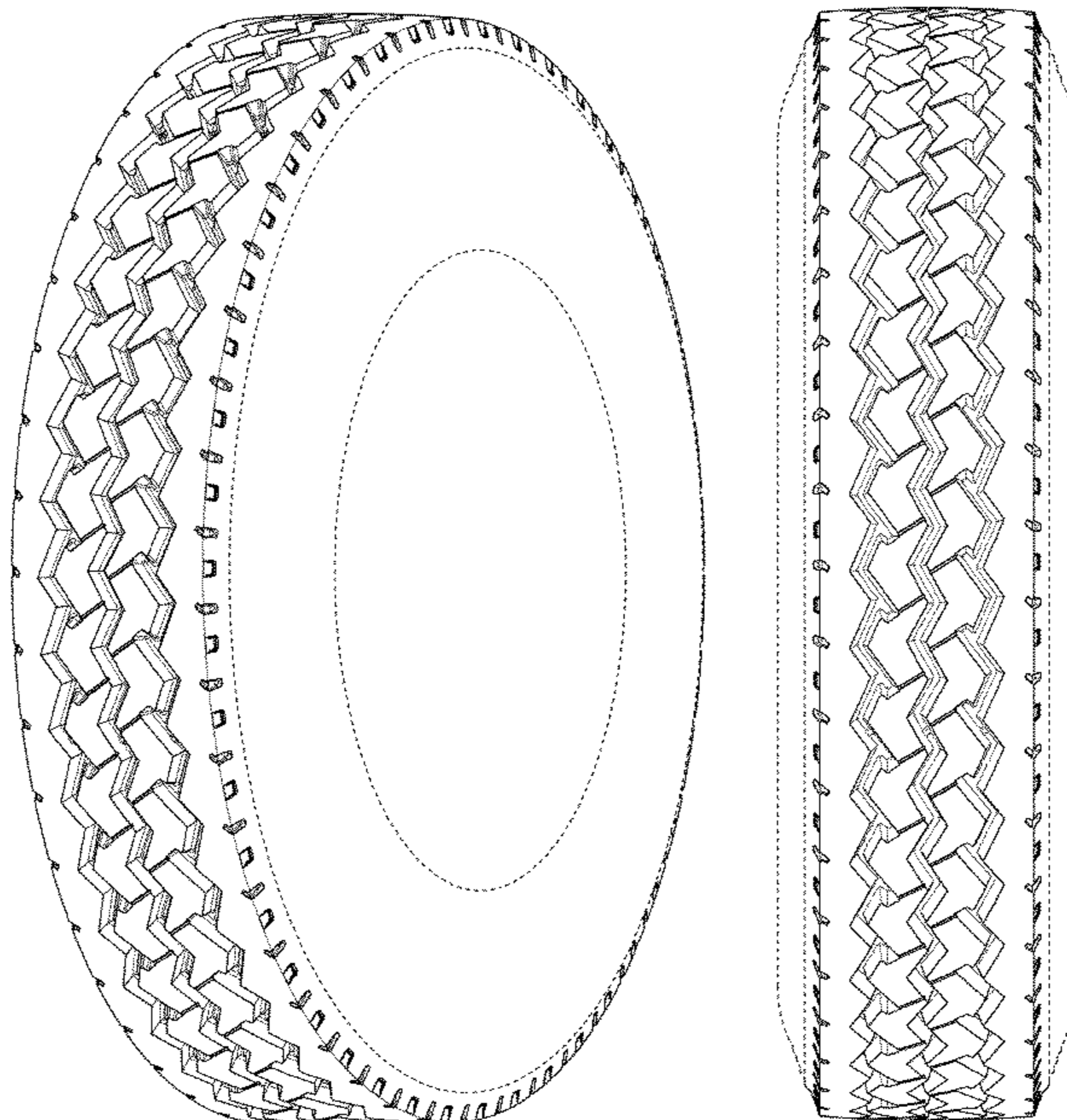
FIG. 1 is a perspective view of a tire tread showing our new design, it being understood that the tread pattern repeats circumferentially throughout the outer circumference and shoulder of the tire, the opposite side perspective being identical thereto;

FIG. 2 is a front elevation view thereof; and,

FIG. 3 is a side elevation view of the right side thereof, the left side elevation being identical thereto.

In the drawings, the recessed groove portions of the tire tread having a depth is best illustrated along the top and bottom edges of FIG. 2. In the drawings, the broken line disclosure of the tire sidewall and inner bead depicts environmental structure and forms no part of the claimed design.

**1 Claim, 3 Drawing Sheets**



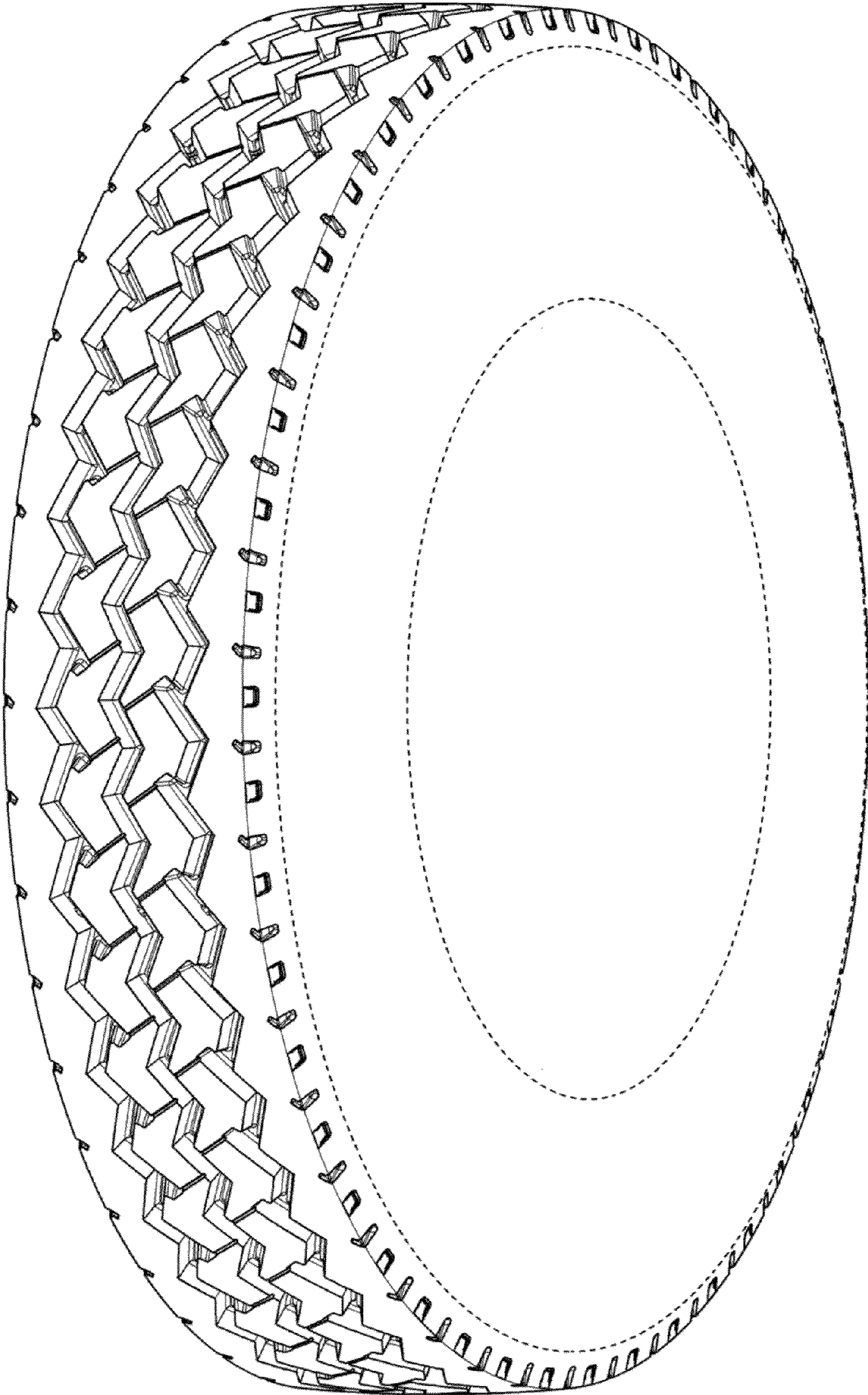


Fig. 1

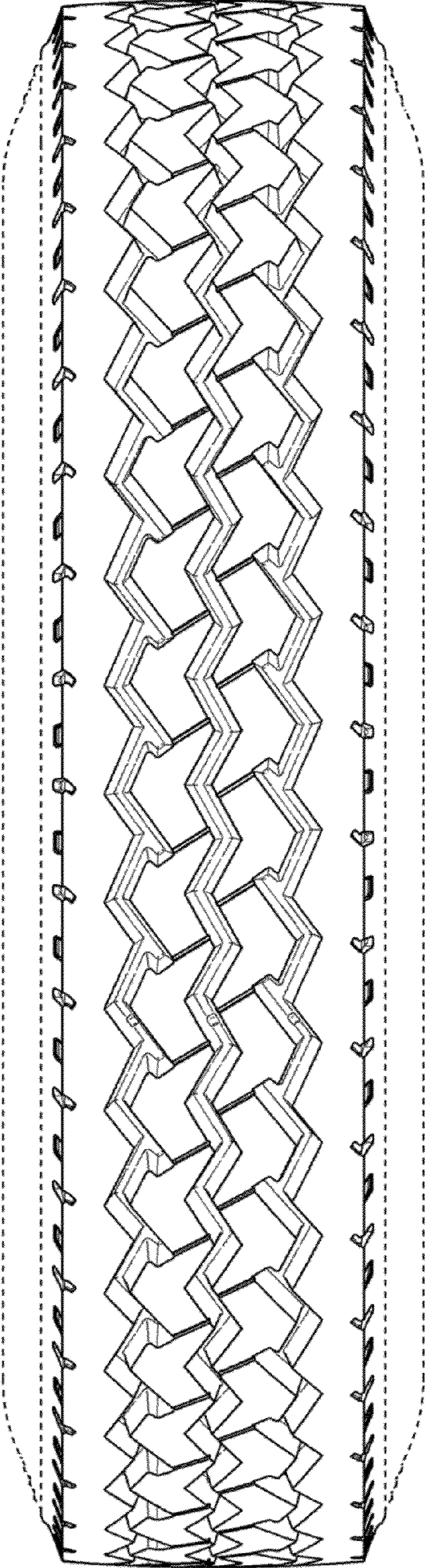


Fig. 2

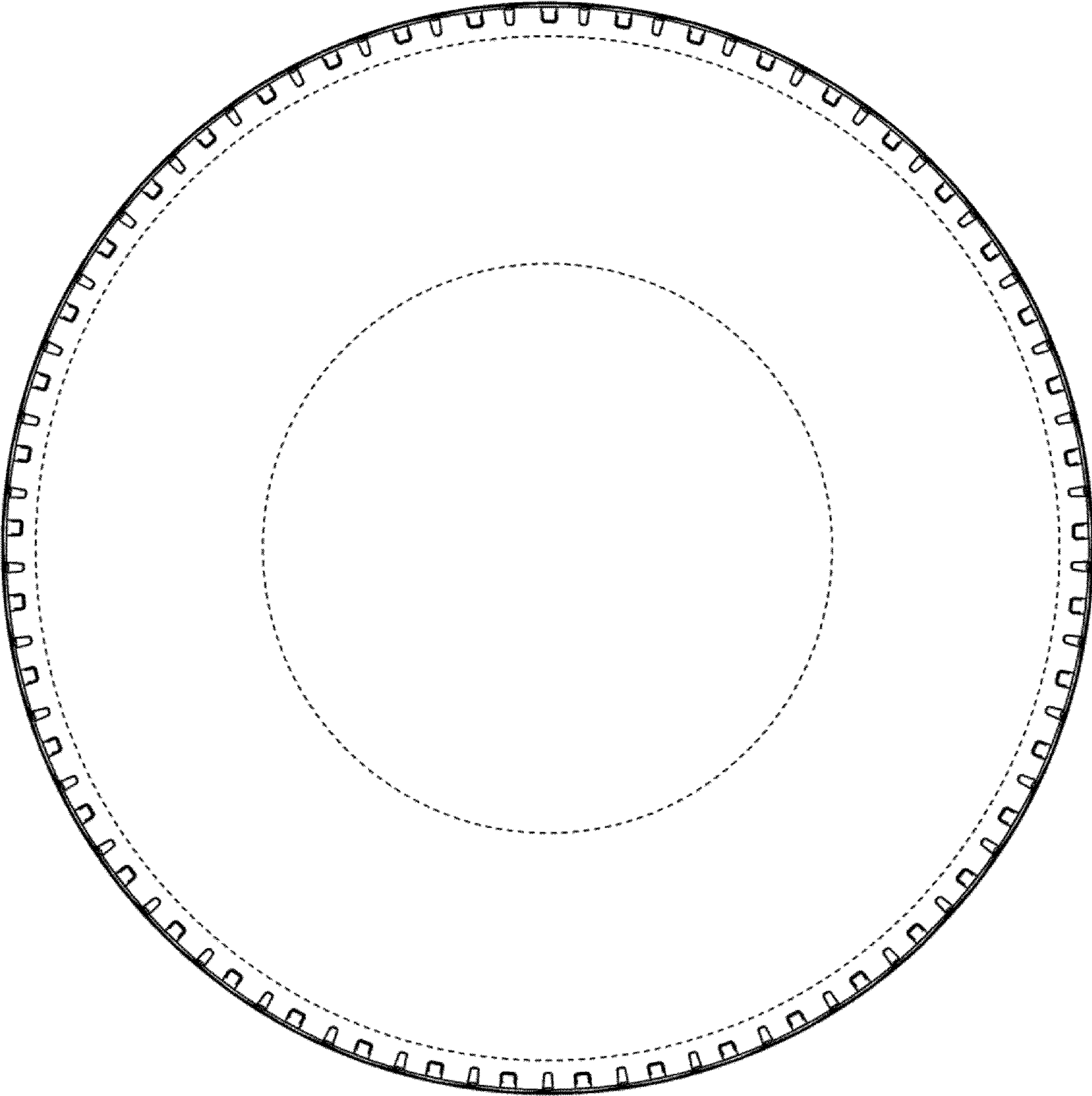


Fig. 3