



US00D744412S

(12) **United States Design Patent**  
**Schimmoller**

(10) **Patent No.:** **US D744,412 S**  
(45) **Date of Patent:** **\*\* Dec. 1, 2015**

(54) **TIRE TREAD**

(71) Applicant: **Ryan J. Schimmoller**, Ottoville, OH  
(US)

(72) Inventor: **Ryan J. Schimmoller**, Ottoville, OH  
(US)

(73) Assignee: **COOPER TIRE & RUBBER**  
**COMPANY**, Findlay, OH (US)

(\*\*) Term: **14 Years**

(21) Appl. No.: **29/470,877**

(22) Filed: **Oct. 25, 2013**

(51) **LOC (10) Cl.** ..... **12-15**

(52) **U.S. Cl.**

USPC ..... **D12/599**

(58) **Field of Classification Search**

USPC ..... D12/568-603; 152/209.1-209.28

CPC ..... B60C 11/0304; B60C 11/1218; B60C  
11/1236; B60C 11/1281; B60C 2011/1213;

B60C 2200/06; B60C 1/00

See application file for complete search history.

(56) **References Cited**

U.S. PATENT DOCUMENTS

D720,284 S \* 12/2014 Lo ..... D12/579  
2013/0139936 A1\* 6/2013 Ohara ..... 152/209.11

\* cited by examiner

*Primary Examiner* — George D Kirschbaum

*Assistant Examiner* — Jennifer Watkins

(74) *Attorney, Agent, or Firm* — Fay Sharpe LLP

(57) **CLAIM**

The ornamental design for a tire tread, as shown and described.

**DESCRIPTION**

FIG. 1 is a perspective view of a full tire including the tire tread of the present application;

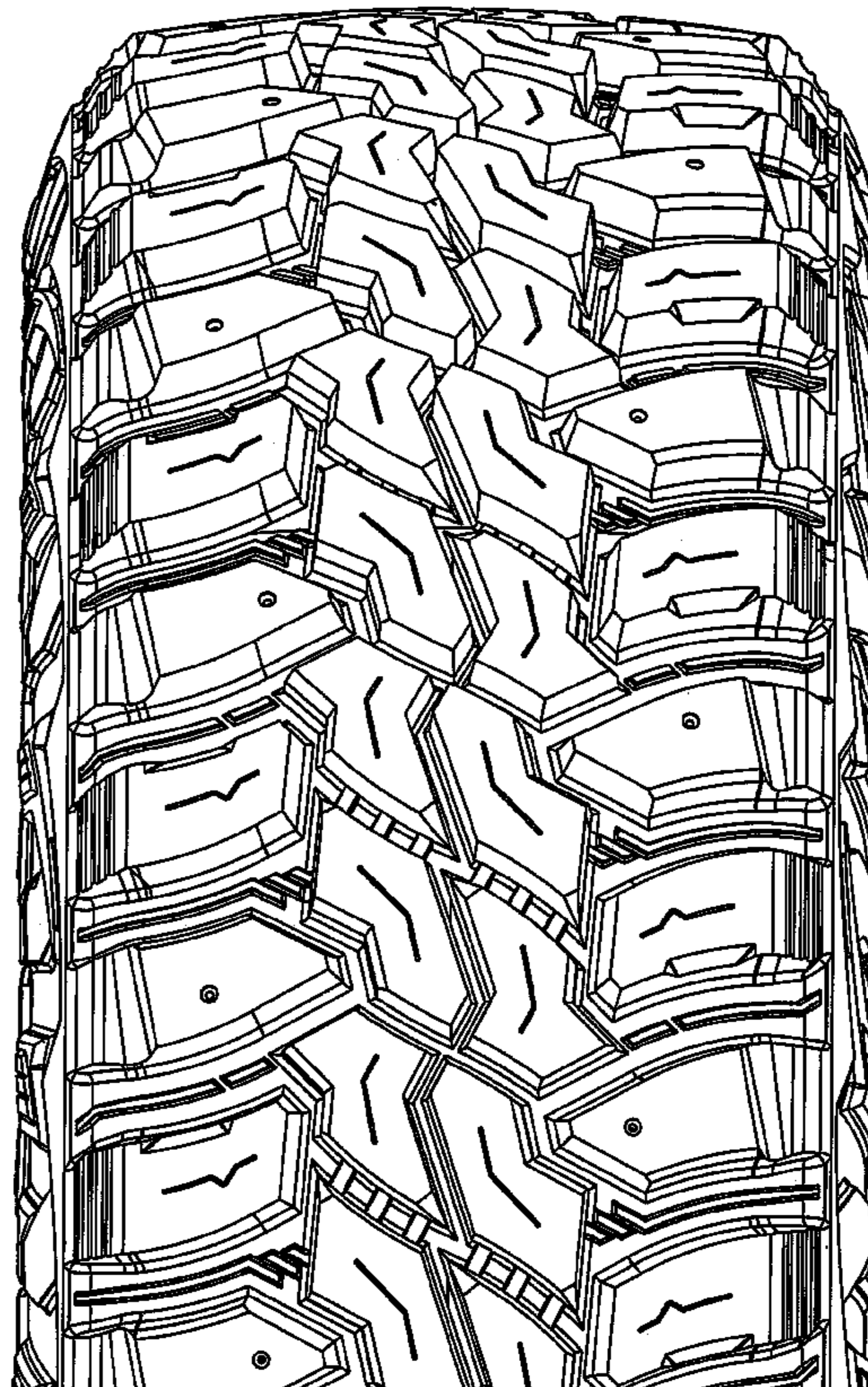
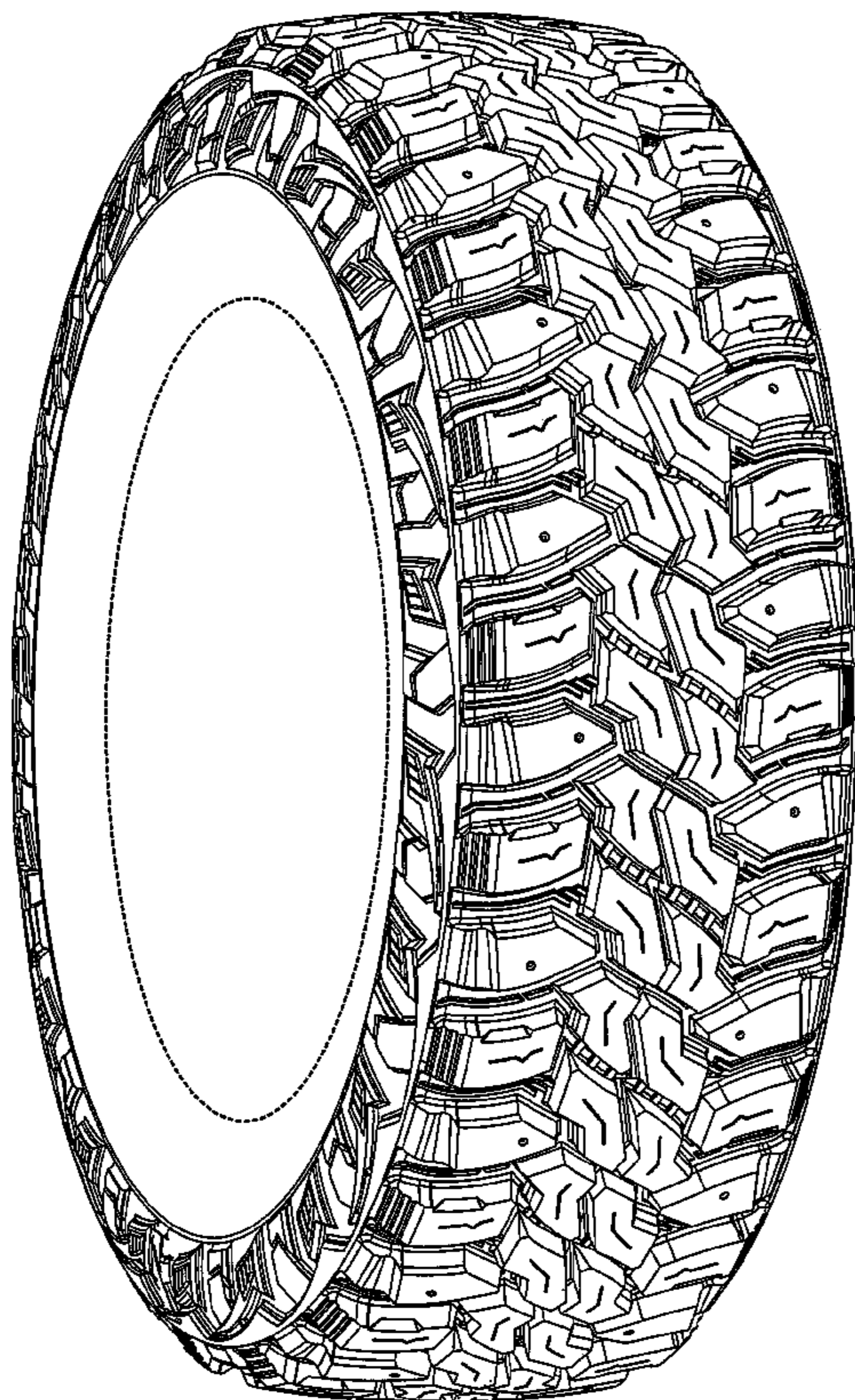
FIG. 2 is an enlarged partial side view thereof;

FIG. 3 is a front view thereof; and,

FIG. 4 is an enlarged partial front view thereof.

In the drawings, the broken lines defining the sidewall, inner bead and the peripheral boundary between the claimed tire tread and the unclaimed sidewall depict environmental subject matter that forms no part of the claimed design.

**1 Claim, 4 Drawing Sheets**





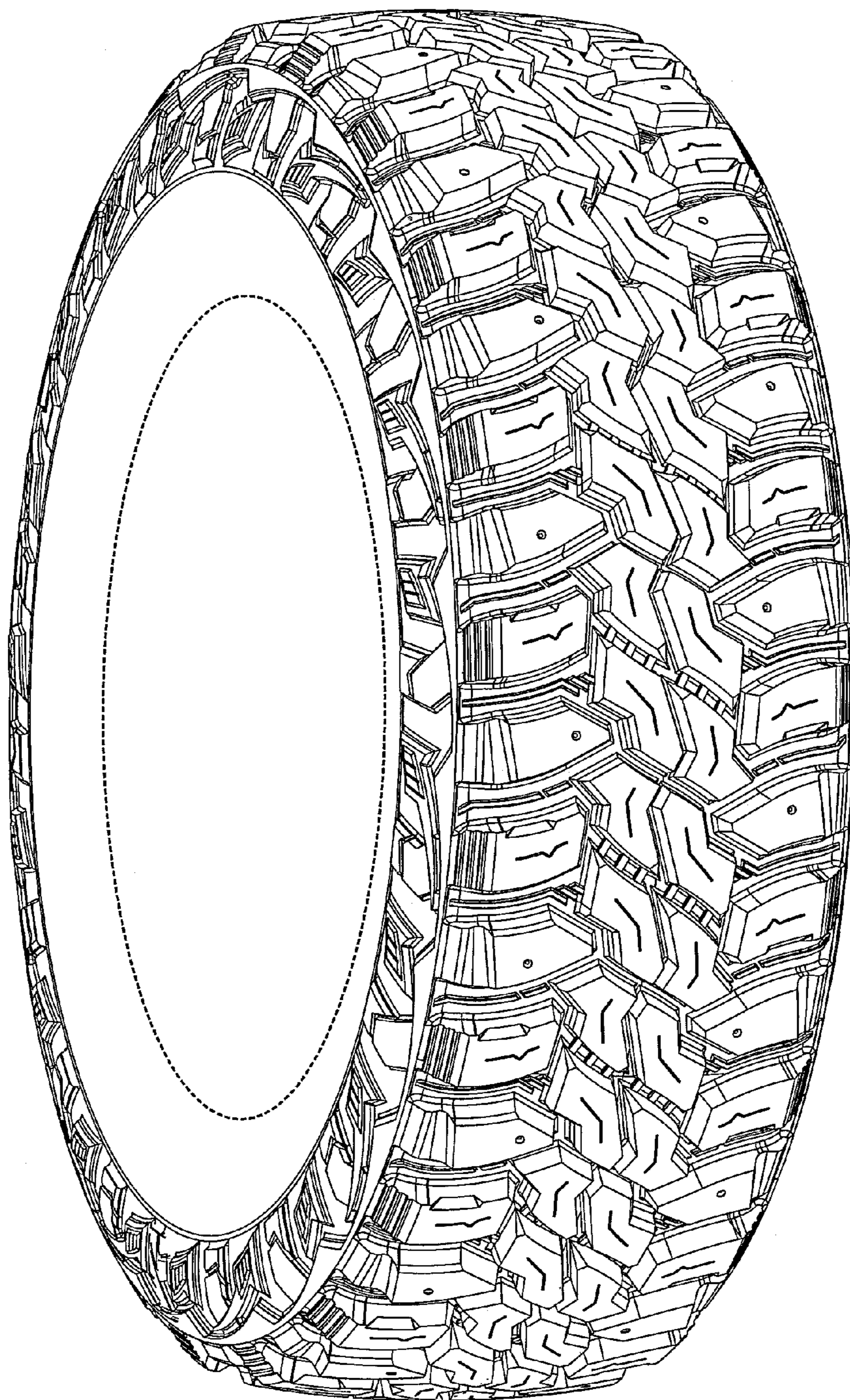


FIG. 1

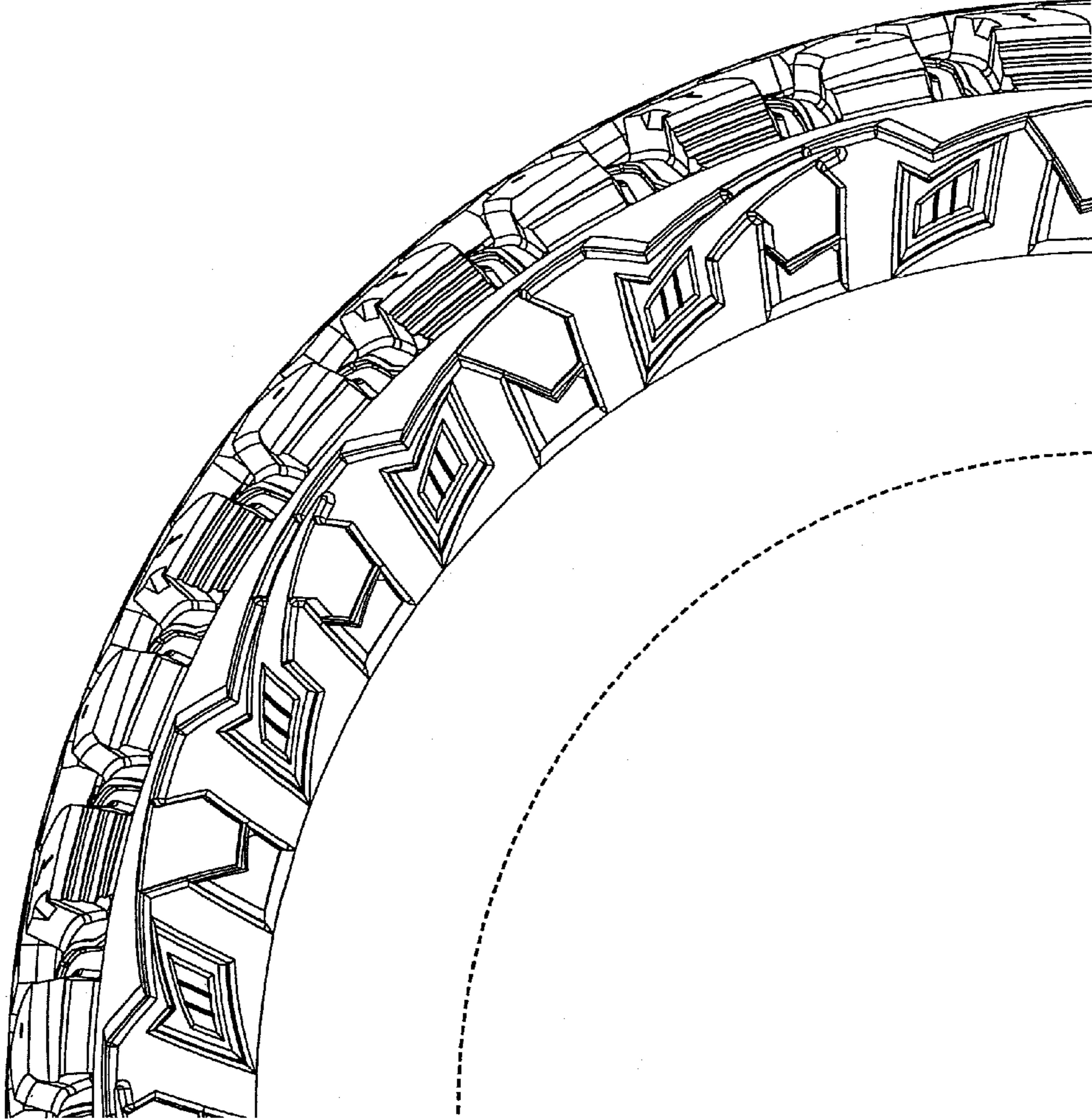


FIG. 2



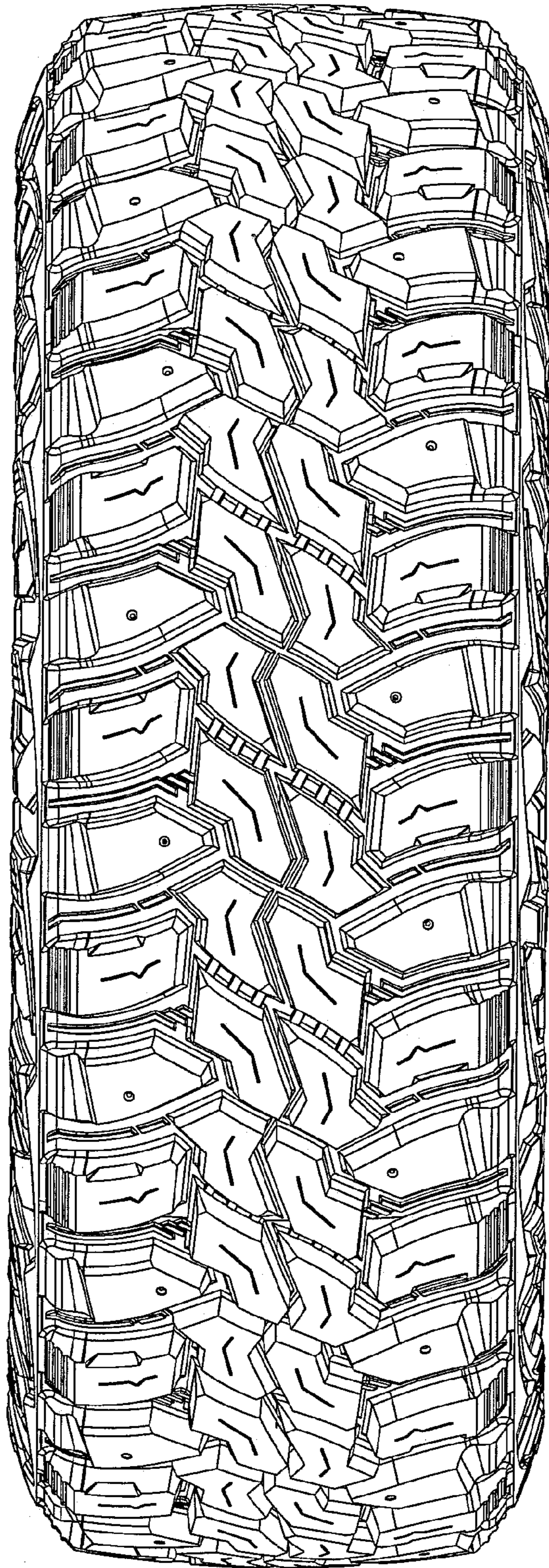


FIG. 3

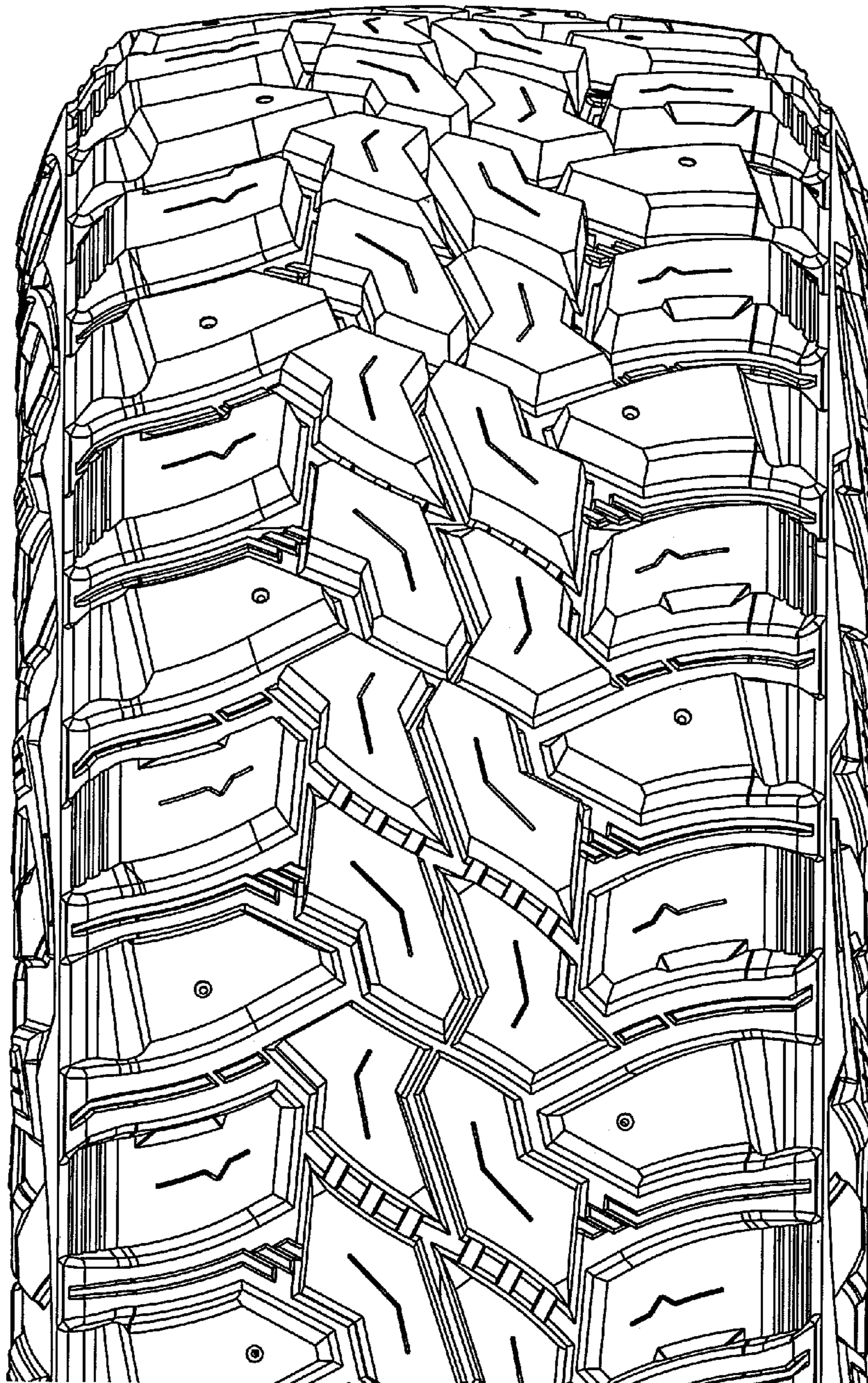


FIG. 4