

US00D744410S

(12) **United States Design Patent**
Furusawa et al.

(10) **Patent No.:** **US D744,410 S**
(45) **Date of Patent:** **** Dec. 1, 2015**

(54) **AUTOMOBILE TIRE**

(71) Applicant: **THE YOKOHAMA RUBBER CO., LTD.**, Minato-ku, Tokyo (JP)
(72) Inventors: **Hiroshi Furusawa**, Hiratsuka (JP);
Yoshimasa Hashimoto, Hiratsuka (JP);
Kenichiro Endo, Hiratsuka (JP);
Kenichi Sato, Hiratsuka (JP)
(73) Assignee: **THE YOKOHAMA RUBBER CO., LTD.**, Minato-ku, Tokyo (JP)

(**) Term: **14 Years**

(21) Appl. No.: **29/485,837**

(22) Filed: **Mar. 24, 2014**

(30) **Foreign Application Priority Data**

Sep. 24, 2013 (JP) 2013-022042

(51) **LOC (10) Cl.** **12-15**

(52) **U.S. Cl.**
USPC **D12/585**; D12/545; D12/553

(58) **Field of Classification Search**
USPC D12/533-567, 585; 152/209.1, 209.8,
152/209.18, 209.25, 209.28
CPC .. B60C 11/0302; B60C 11/03; B60C 11/042;
B60C 11/12; B60C 2011/0374
See application file for complete search history.

(56) **References Cited**

U.S. PATENT DOCUMENTS

D365,051 S	*	12/1995	Brayer et al.	D12/553
D503,374 S	*	3/2005	Maxwell et al.	D12/553
D583,753 S	*	12/2008	Licht et al.	D12/565
D667,778 S	*	9/2012	Drake	D12/564
D705,718 S	*	5/2014	Hirama et al.	D12/553

* cited by examiner

Primary Examiner — George D Kirschbaum
Assistant Examiner — Jennifer Watkins
(74) *Attorney, Agent, or Firm* — Banner & Witcoff, Ltd.

(57) **CLAIM**

The ornamental design for an automobile tire, as shown and described.

DESCRIPTION

FIG. 1 is a perspective view of an automobile tire showing our new design;
FIG. 2 is a front view thereof;
FIG. 3 is a rear view thereof;
FIG. 4 is a left side view thereof;
FIG. 5 is a right side view thereof;
FIG. 6 is a top plan view thereof;
FIG. 7 is a bottom view thereof;
FIG. 8 is an enlarged perspective view of a portion defined by a rectangle 8 shown in FIG. 1;
FIG. 9 is an enlarged front view of a portion defined by a rectangle 9 shown in FIG. 2; and,
FIG. 10 is a sectional view taken along lines 10-10 shown in FIG. 9.

The broken lines defining the sidewall, inner bead and the peripheral boundary between the claimed tire tread and the sidewall depict environmental subject matter that forms no part of the claimed design.

1 Claim, 10 Drawing Sheets

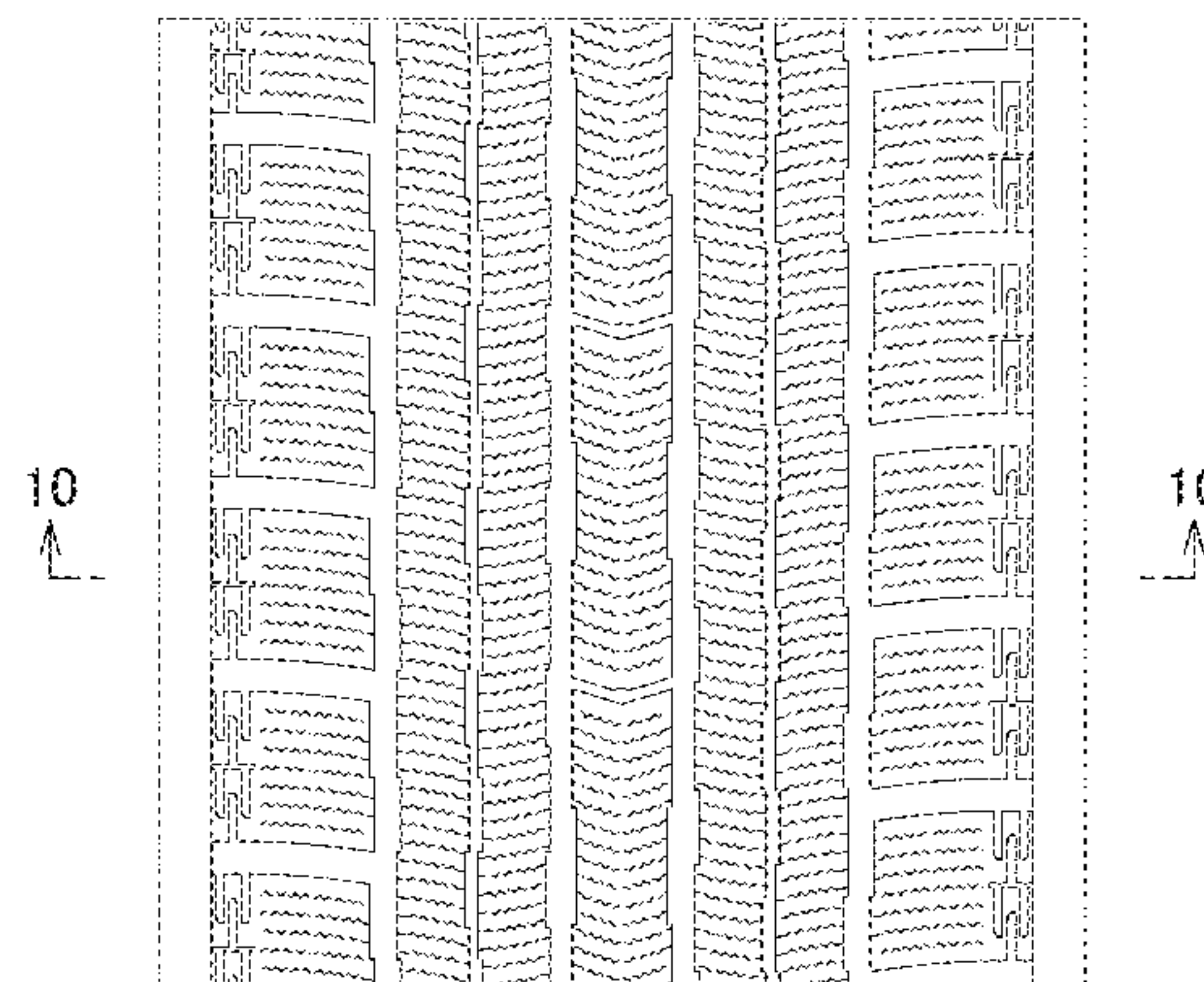
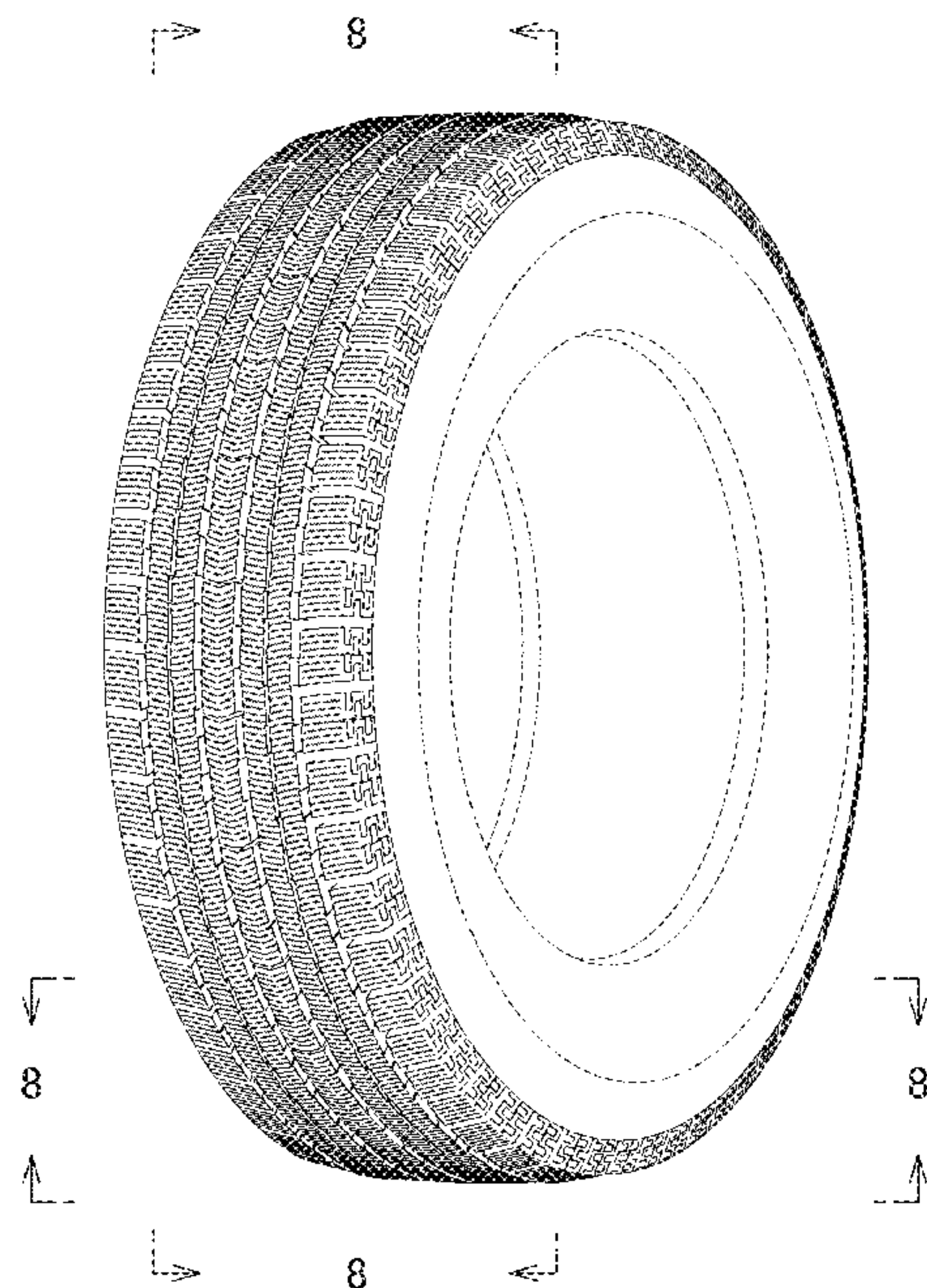


FIG. 1

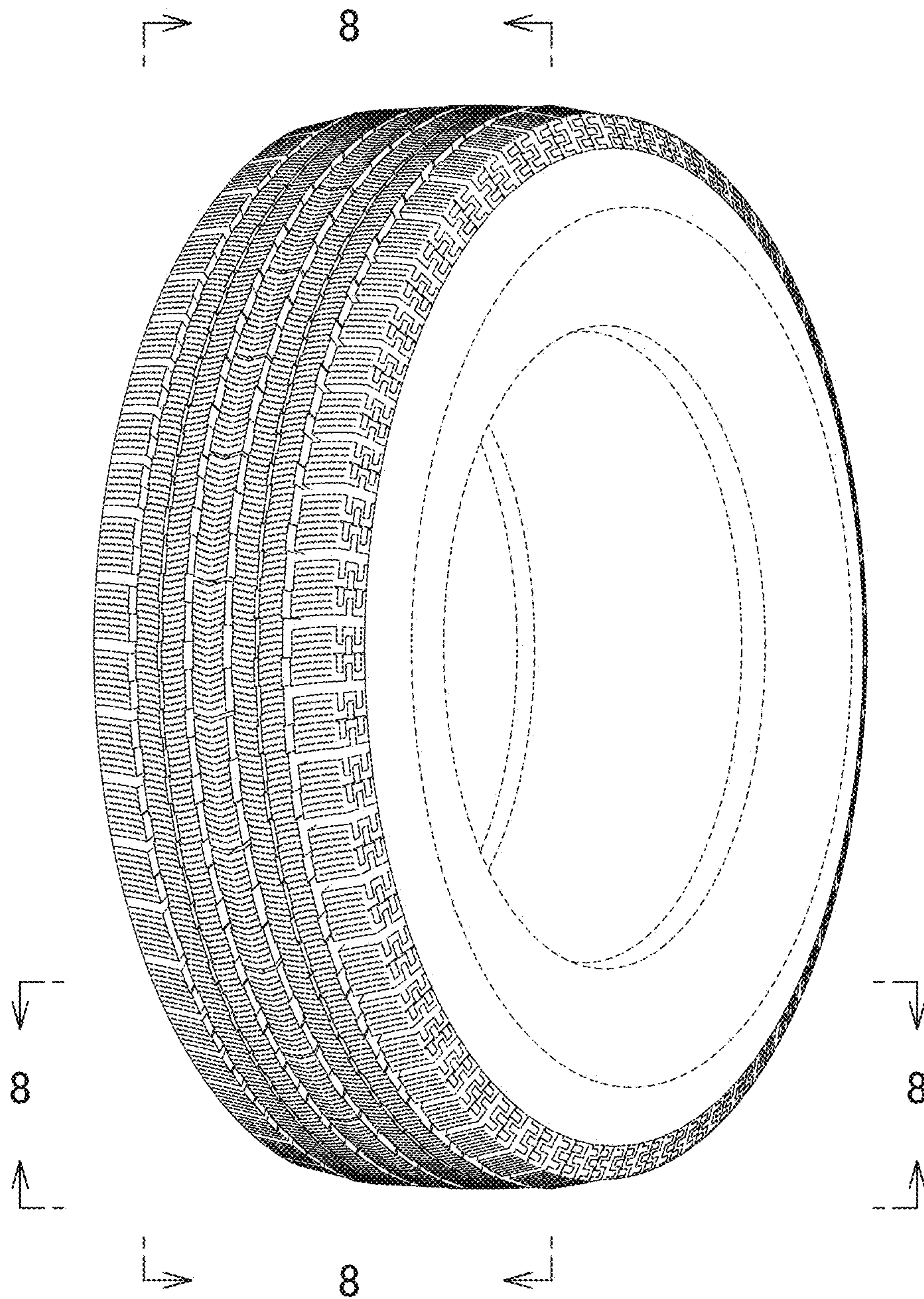


FIG. 2

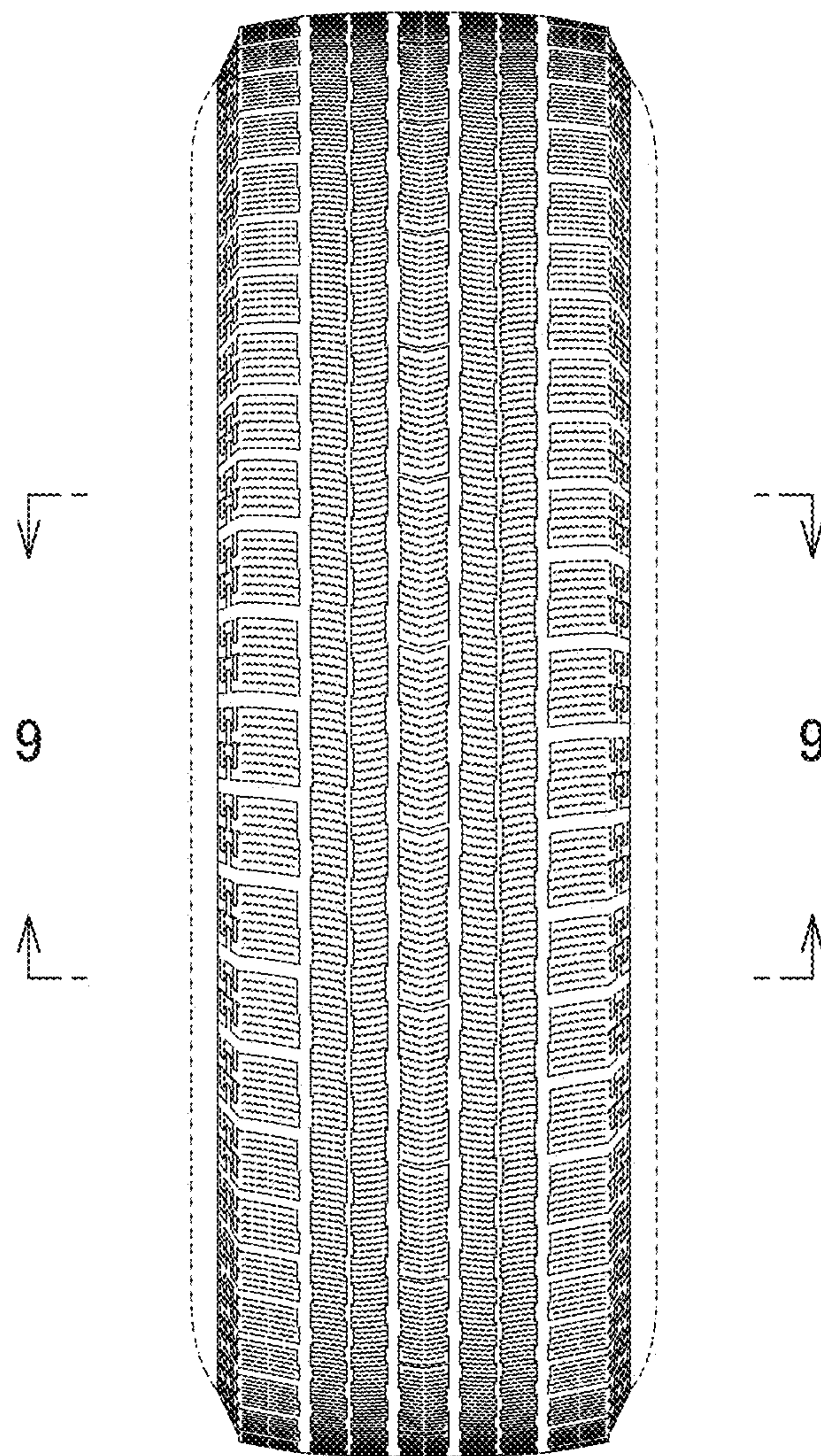


FIG. 3

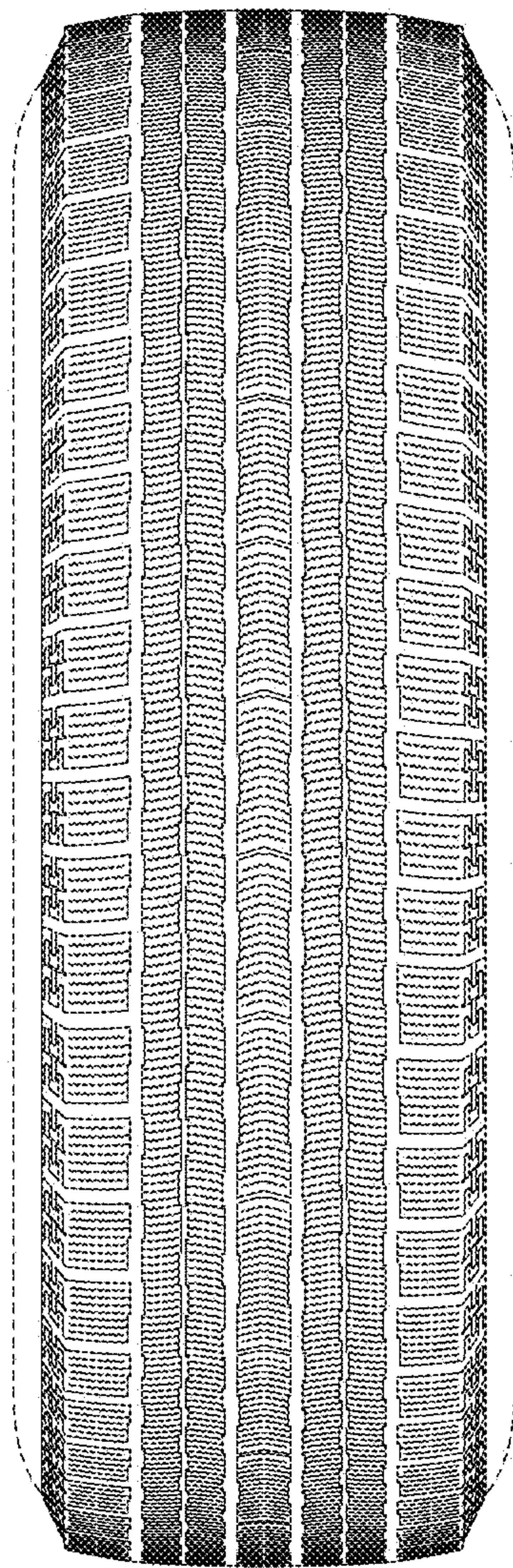


FIG. 4

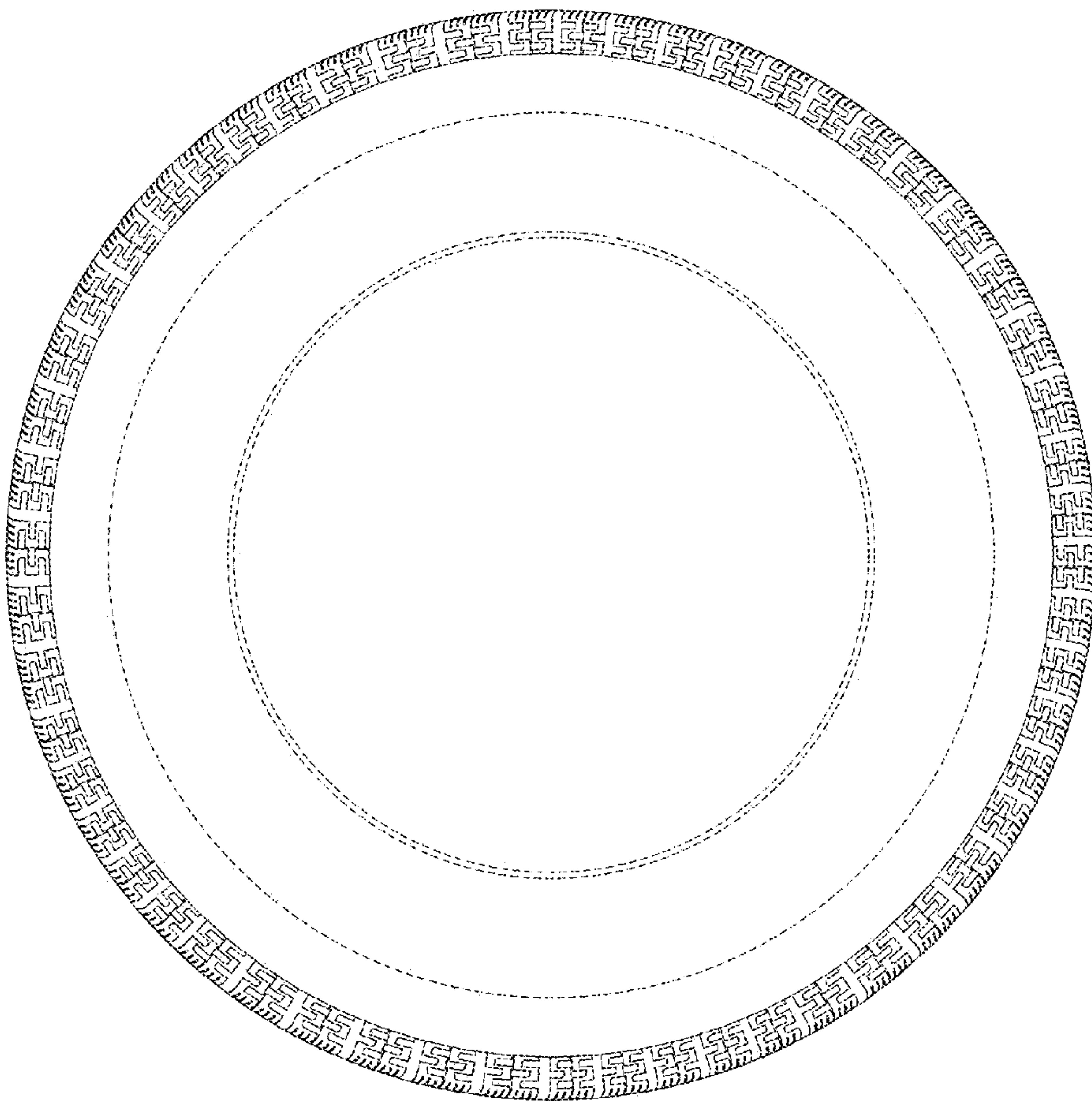


FIG. 5

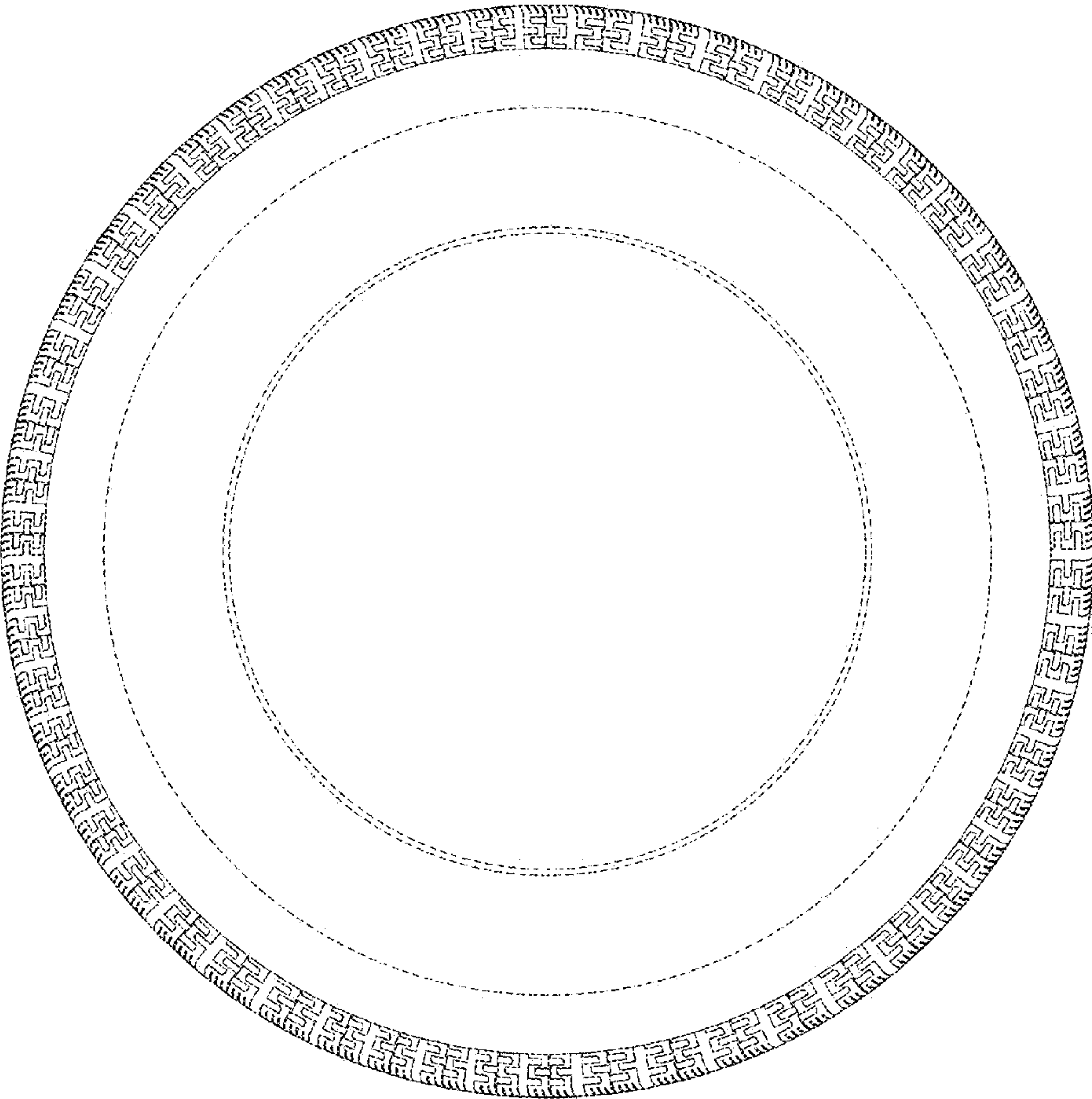


FIG. 6

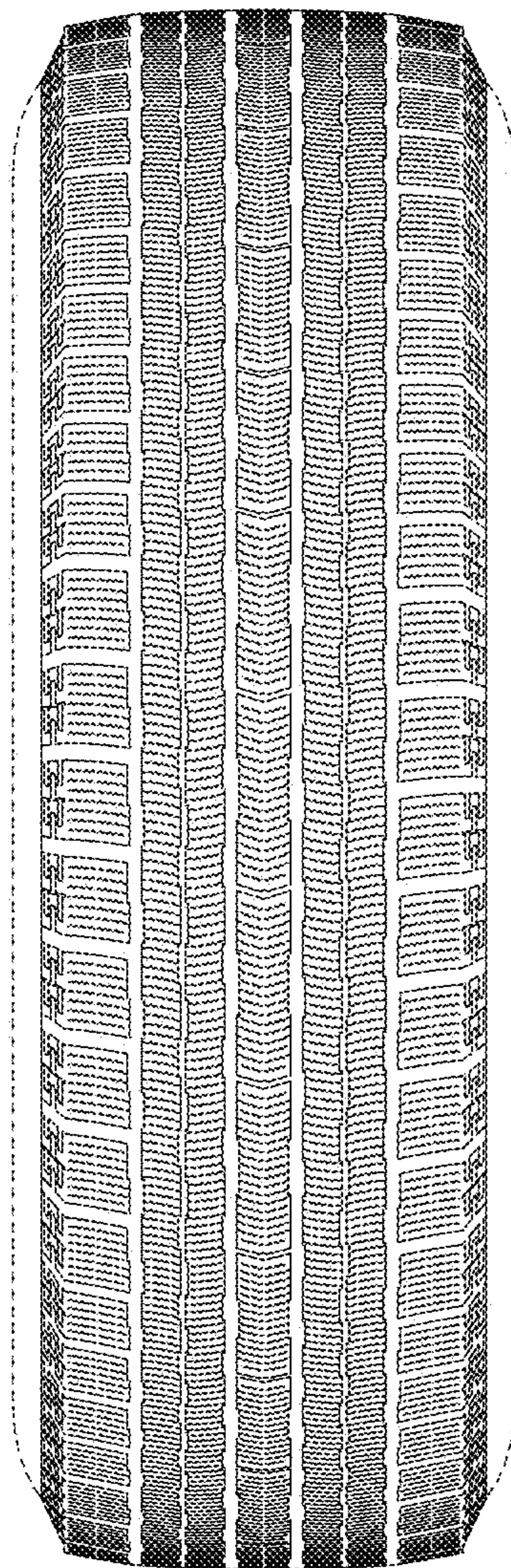


FIG. 7

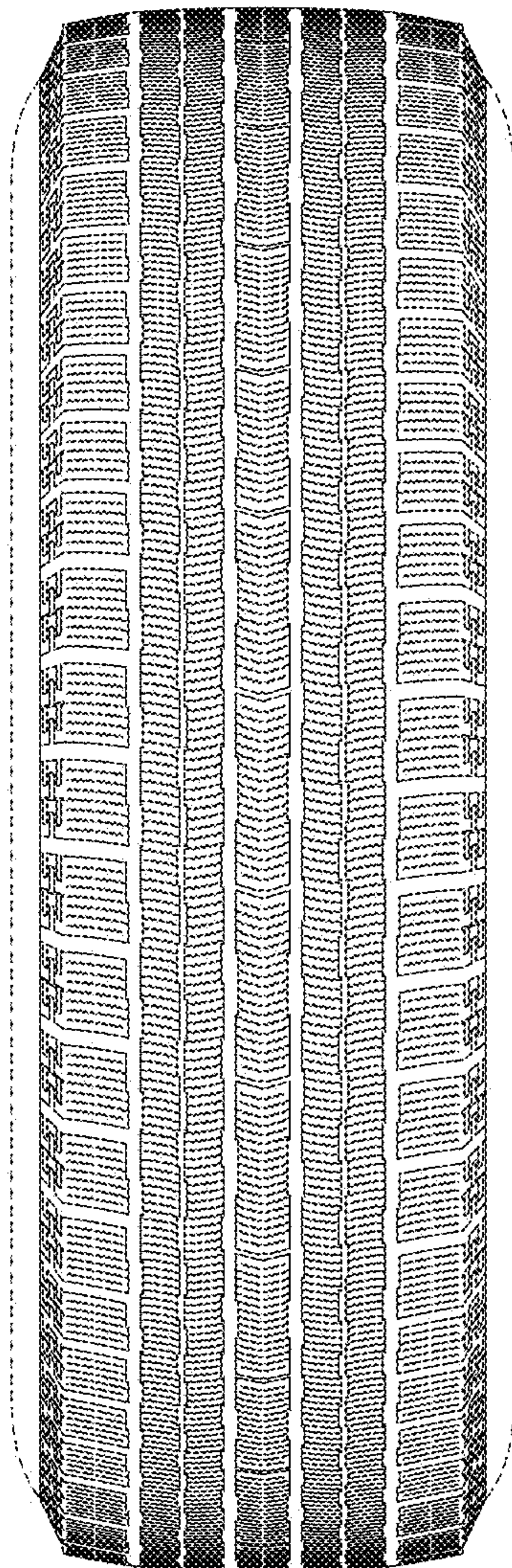


FIG. 8

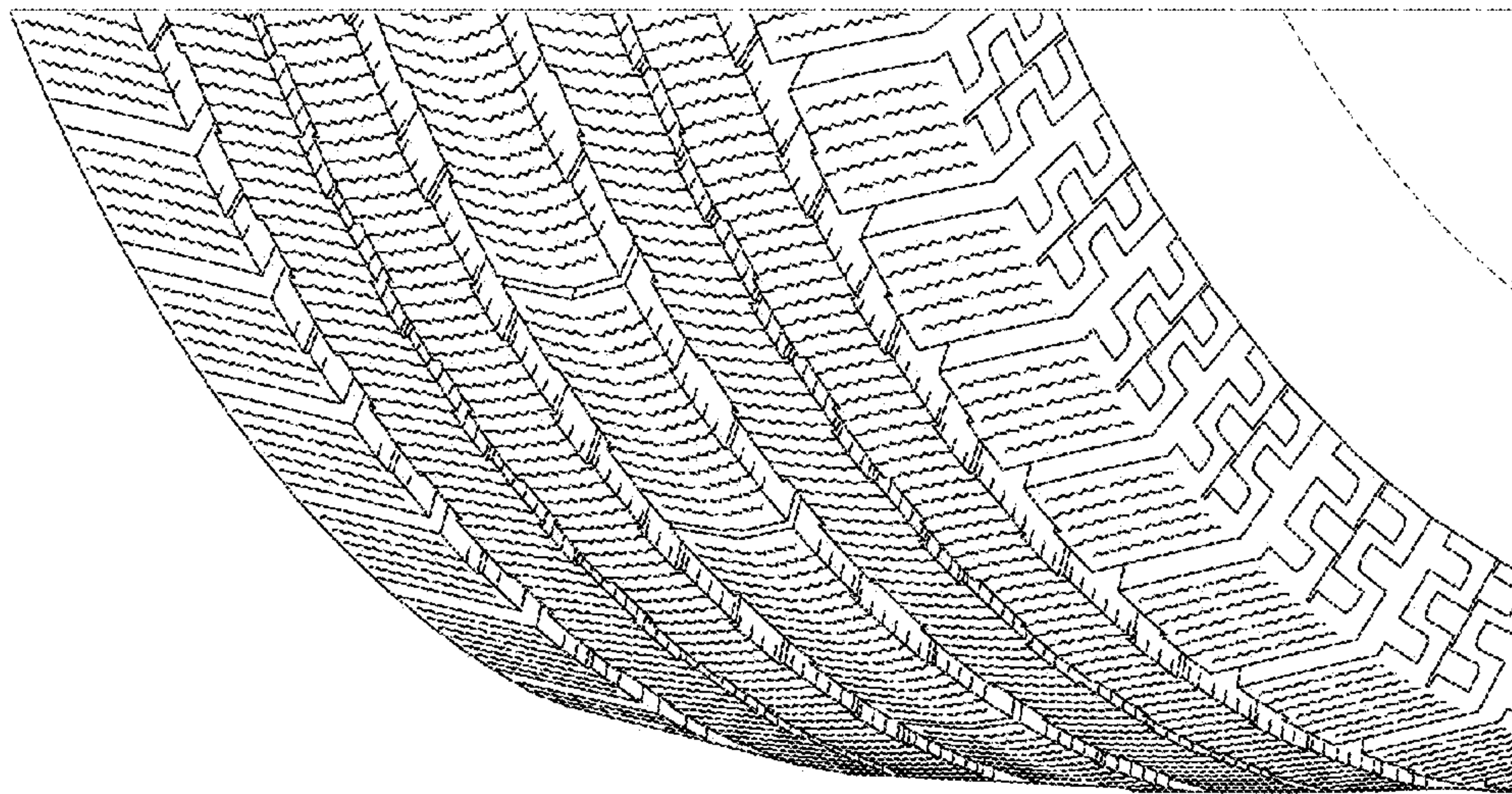


FIG. 9

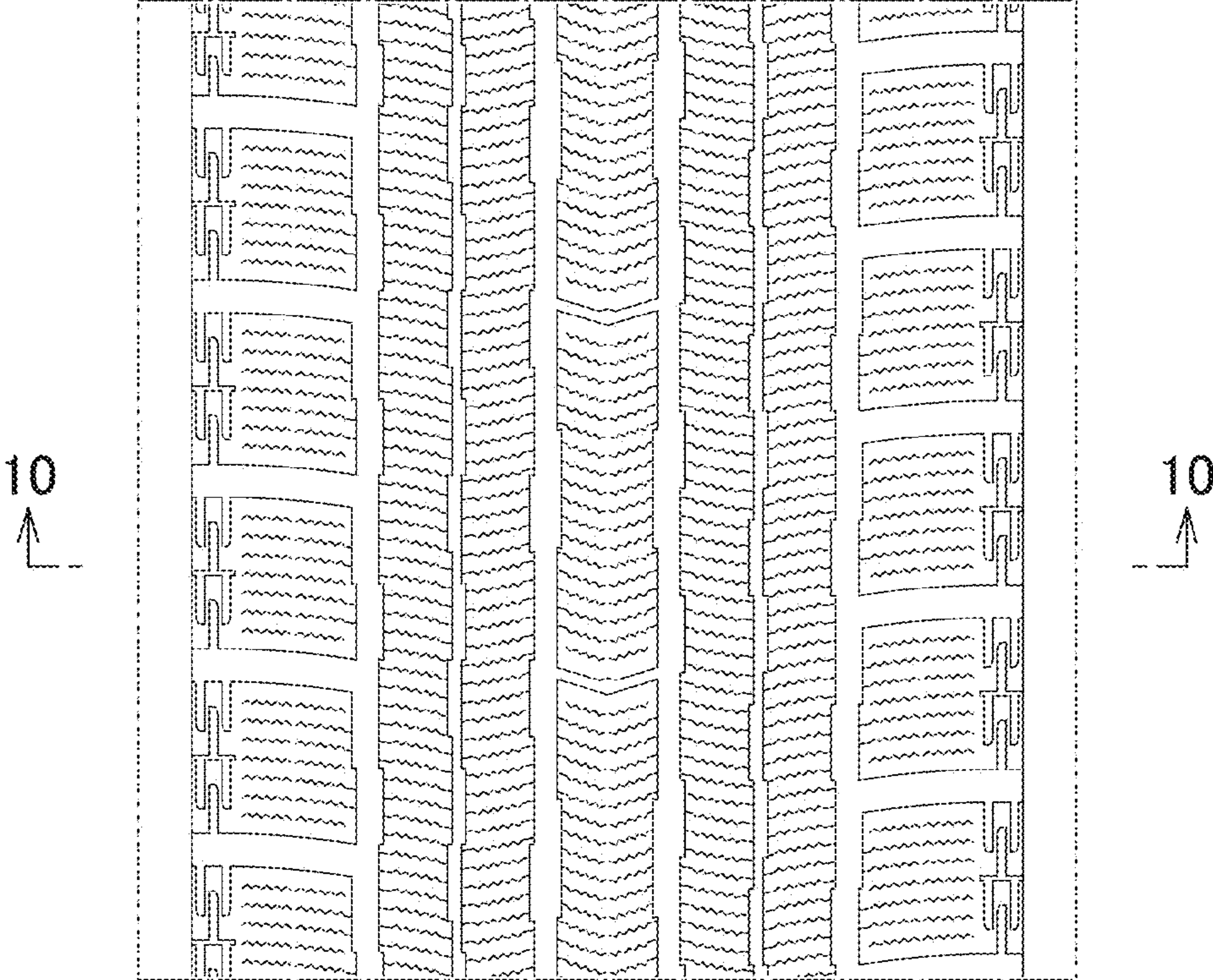


FIG. 10

