



US00D744409S

(12) **United States Design Patent**
Krier et al.

(10) **Patent No.:** **US D744,409 S**

(45) **Date of Patent:** **** *Dec. 1, 2015**

(54) **TIRE**

(71) Applicant: **The Goodyear Tire & Rubber Company, Akron, OH (US)**

(72) Inventors: **Jean-Julien Edouard Ghislain Krier, Bastogne (BE); Christophe Henri Joseph Schyns, Rossart (BE); Jacques Collette, Bastogne (BE)**

(73) Assignee: **The Goodyear Tire & Rubber Company, Akron, OH (US)**

(*) Notice: This patent is subject to a terminal disclaimer.

(**) Term: **14 Years**

(21) Appl. No.: **29/482,908**

(22) Filed: **Feb. 24, 2014**

(51) **LOC (10) Cl.** **12-15**

(52) **U.S. Cl.**
USPC **D12/583**

(58) **Field of Classification Search**
USPC D12/568-603; 152/209.1-209.9
CPC B60C 1/00; B60C 11/00; B60C 11/03
See application file for complete search history.

(56) **References Cited**

U.S. PATENT DOCUMENTS

D384,611 S	10/1997	Harden, Jr.	D12/146
D385,520 S	10/1997	Scheuren et al.	D12/147
D395,414 S	6/1998	Grosskopf et al.	D12/147
D425,457 S *	5/2000	Gillard et al.	D12/596
D427,552 S	7/2000	Young	D12/147
D432,960 S *	10/2000	Feider et al.	D12/602
D444,430 S	7/2001	Welbes et al.	D12/147
D458,588 S	6/2002	Welbes	D12/603
D473,513 S	4/2003	Welbes	D12/588
D489,037 S *	4/2004	Irimiya	D12/553
D493,415 S	7/2004	Noailly	D12/579

D501,446 S *	2/2005	Wage	D12/583
D502,683 S	3/2005	Pang et al.	D12/602
D512,684 S *	12/2005	Robert	D12/583
D514,504 S *	2/2006	Robert	D12/583
D517,472 S *	3/2006	Allison	D12/602
D545,266 S *	6/2007	Yamaura	D12/584
D559,773 S	1/2008	Campana	D12/579
D570,767 S	6/2008	Miyazaki et al.	D12/579
D583,312 S	12/2008	Murphy et al.	D12/602
D589,436 S	3/2009	Beha et al.	D12/579
D591,223 S	4/2009	Missik-Gaffney et al. ..	D12/584

(Continued)

Primary Examiner — George D Kirschbaum

Assistant Examiner — Natasha Vujcic

(74) *Attorney, Agent, or Firm* — Richard B. O'Planick

(57) **CLAIM**

The ornamental design for a tire, as shown and described.

DESCRIPTION

FIG. 1 is a perspective view of a tire showing our new design, it being understood that the pattern repeats uniformly throughout the circumference of the tread;

FIG. 2 is a front elevational view thereof;

FIG. 3 is a right side elevational view thereof; the opposite side elevational view being identical thereto;

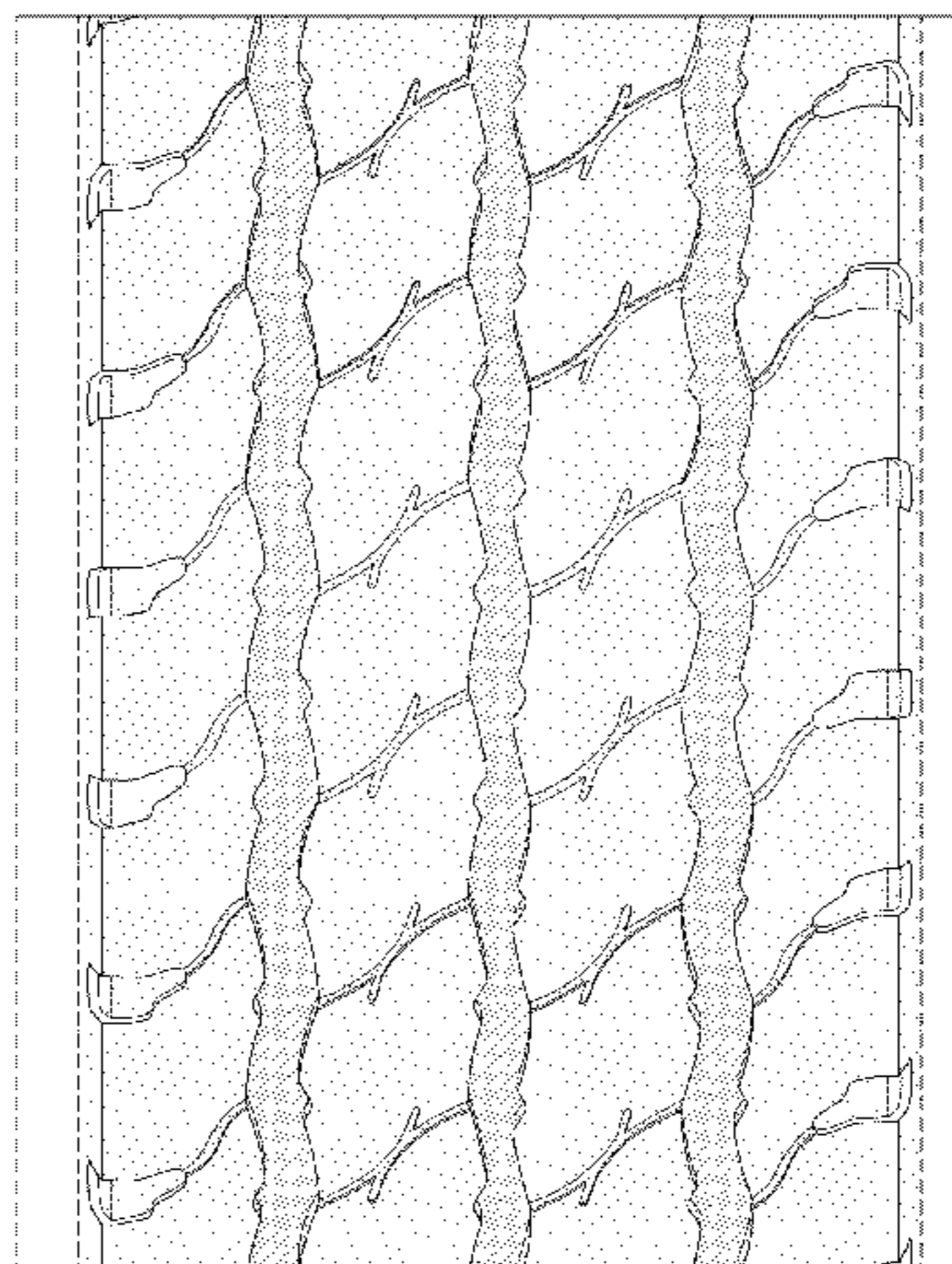
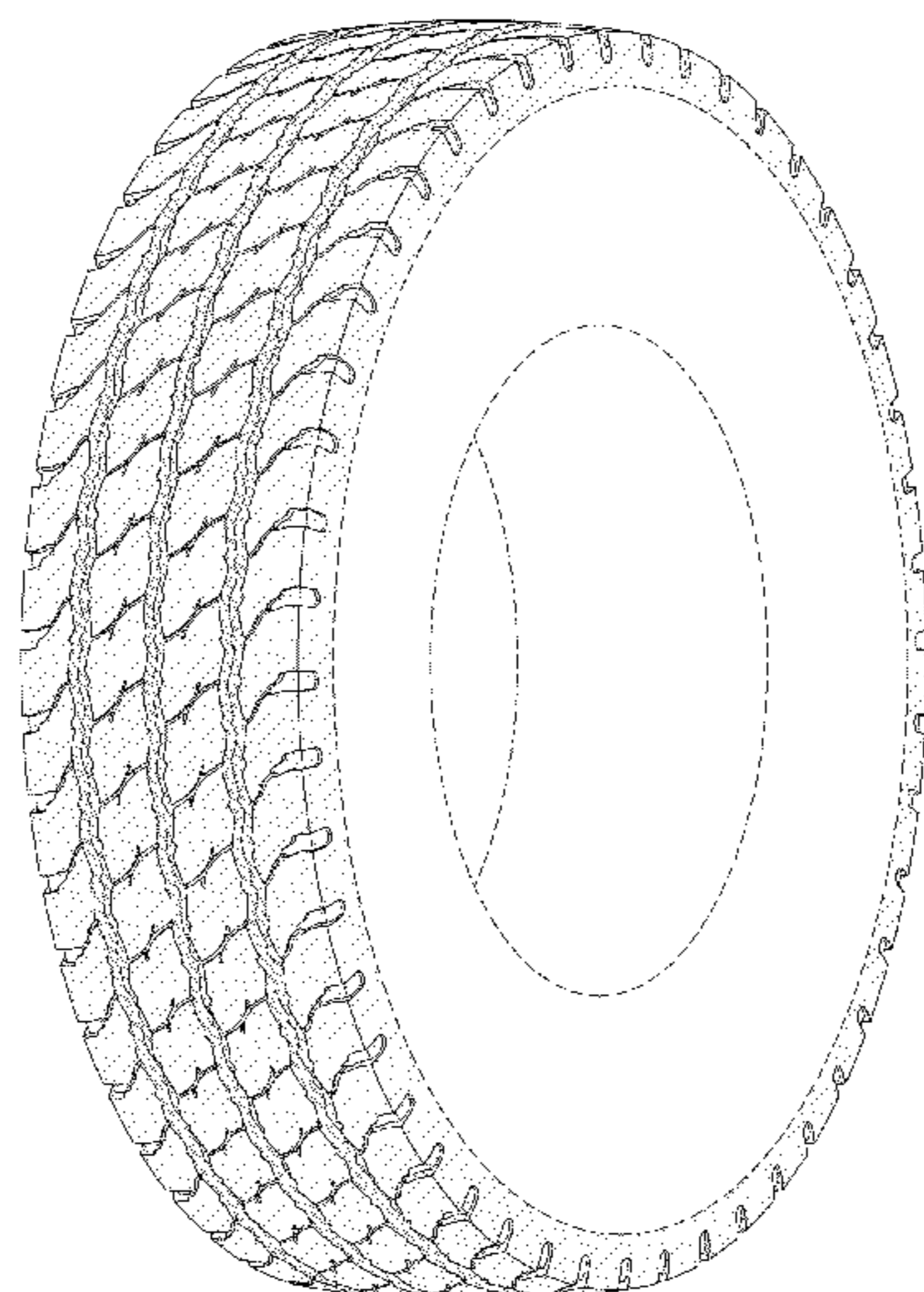
FIG. 4 is an enlarged fragmentary front elevational view taken from FIG. 2;

FIG. 5 is a perspective view of a second embodiment of a tire showing our new design, it being understood that the pattern repeats uniformly throughout the circumference of the tread and that the opposite side view is identical thereto; and,

FIG. 6 is a front elevational view of a second embodiment, it being understood that an enlarged fragmentary view thereof would be substantially identical to that shown in FIG. 4, with the exception of the inclusion of the sidewall in solid lines.

In the drawings, the broken lines showing of the sidewall, inner bead and the peripheral boundary between the tire tread and the sidewall in FIGS. 1 through 4 depict environmental subject matter and form no part of the claimed design.

1 Claim, 6 Drawing Sheets



(56)

References Cited

U.S. PATENT DOCUMENTS

D592,589 S 5/2009 Dixon et al. D12/600
D598,369 S * 8/2009 Beha D12/583
D598,370 S 8/2009 Beha D12/602
D601,086 S 9/2009 Maus et al. D12/602
D614,122 S 4/2010 Seibert D12/600
D622,211 S 8/2010 Maus et al. D12/579
D624,490 S * 9/2010 Kaji D12/602

D631,002 S 1/2011 Cazin-Bourguignon
et al. D12/602
D637,152 S 5/2011 Maus et al. D12/602
D641,314 S 7/2011 Strader et al. D12/602
D660,224 S 5/2012 Takahashi D12/602
D674,742 S 1/2013 Krier et al. D12/598
D678,831 S 3/2013 Hermann et al. D12/579
D686,566 S 7/2013 Maus et al. D12/594
D726,644 S * 4/2015 Kuwahara D12/602
D728,465 S * 5/2015 Kuwahara D12/600

* cited by examiner

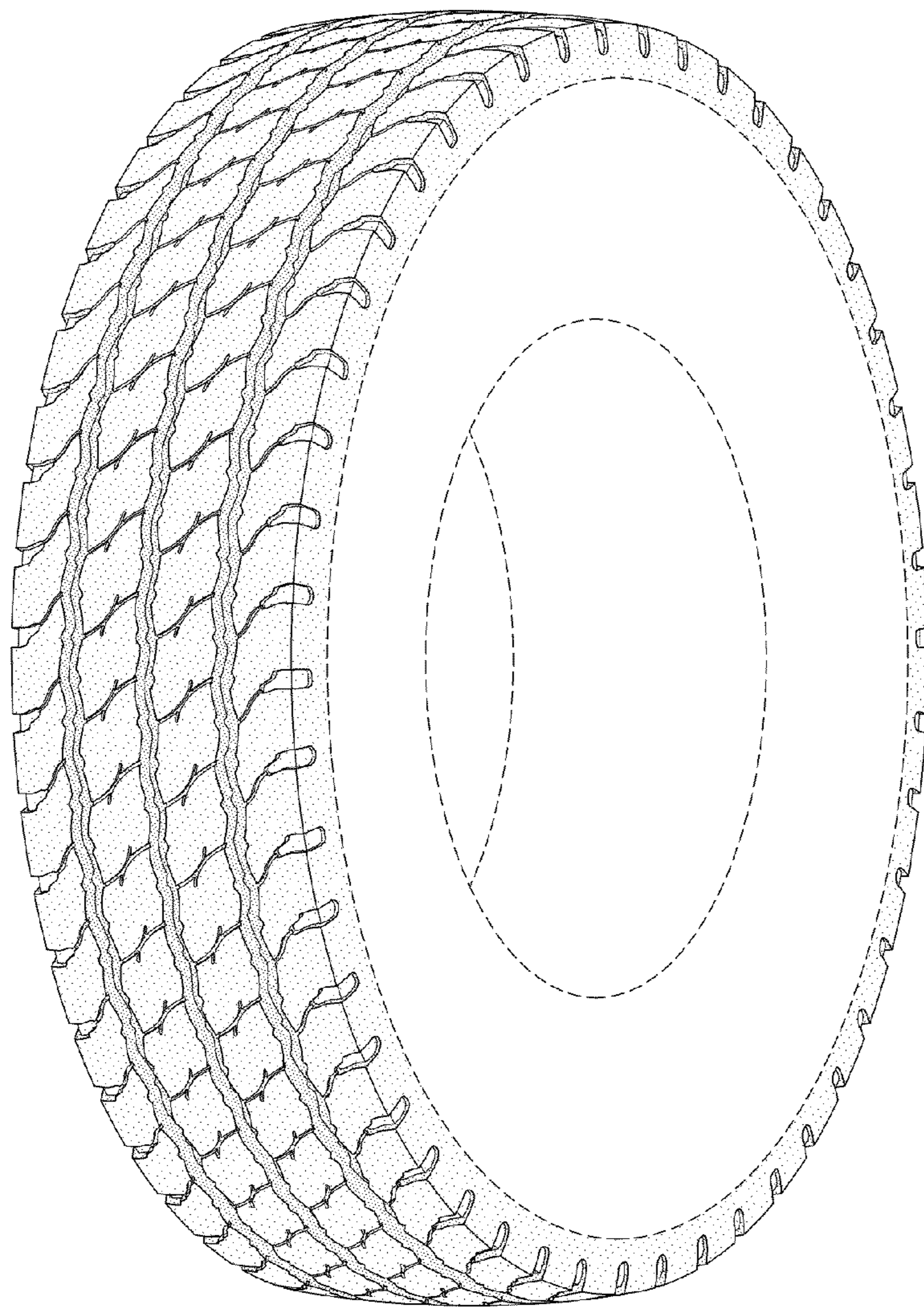


FIG-1

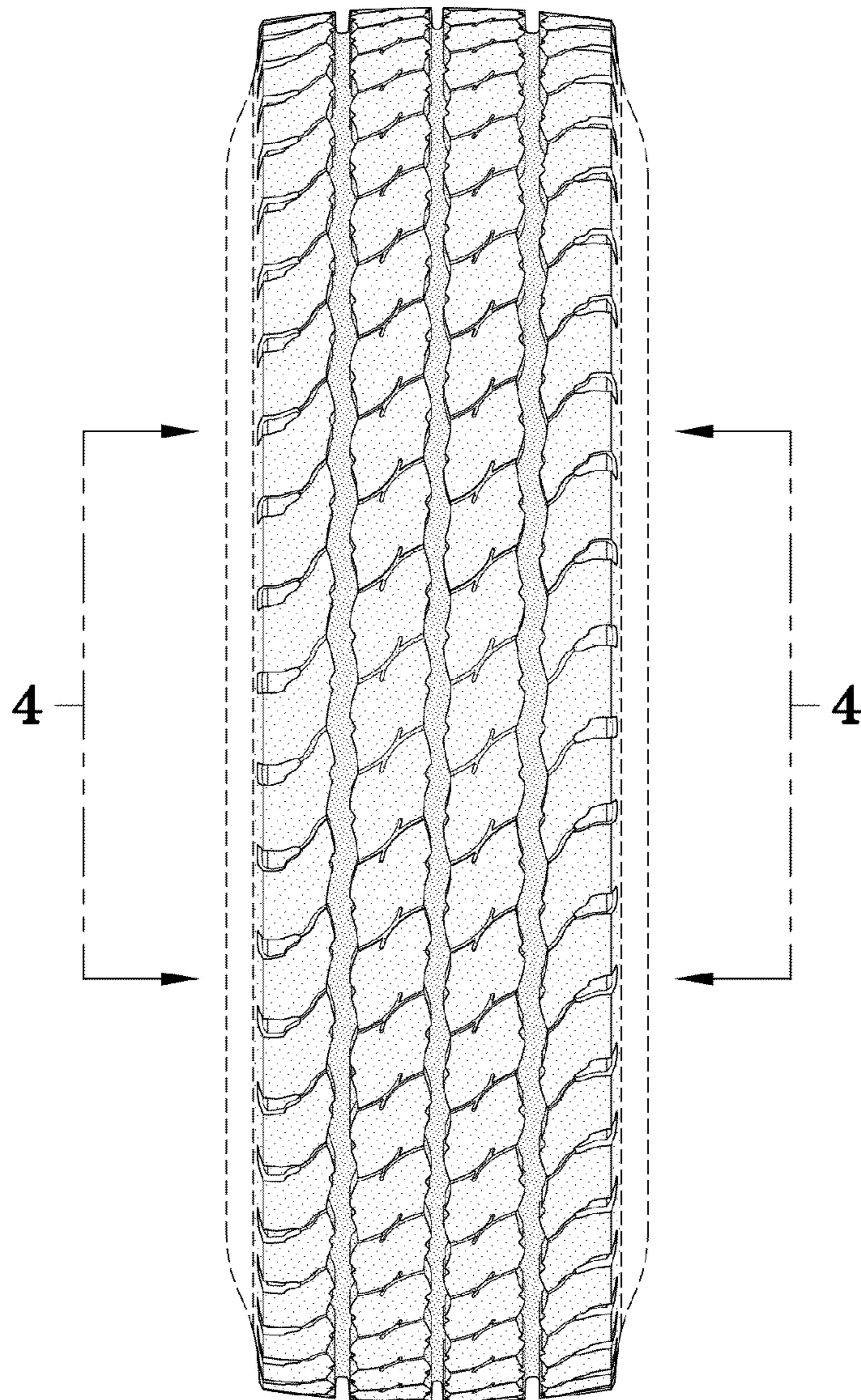


FIG-2

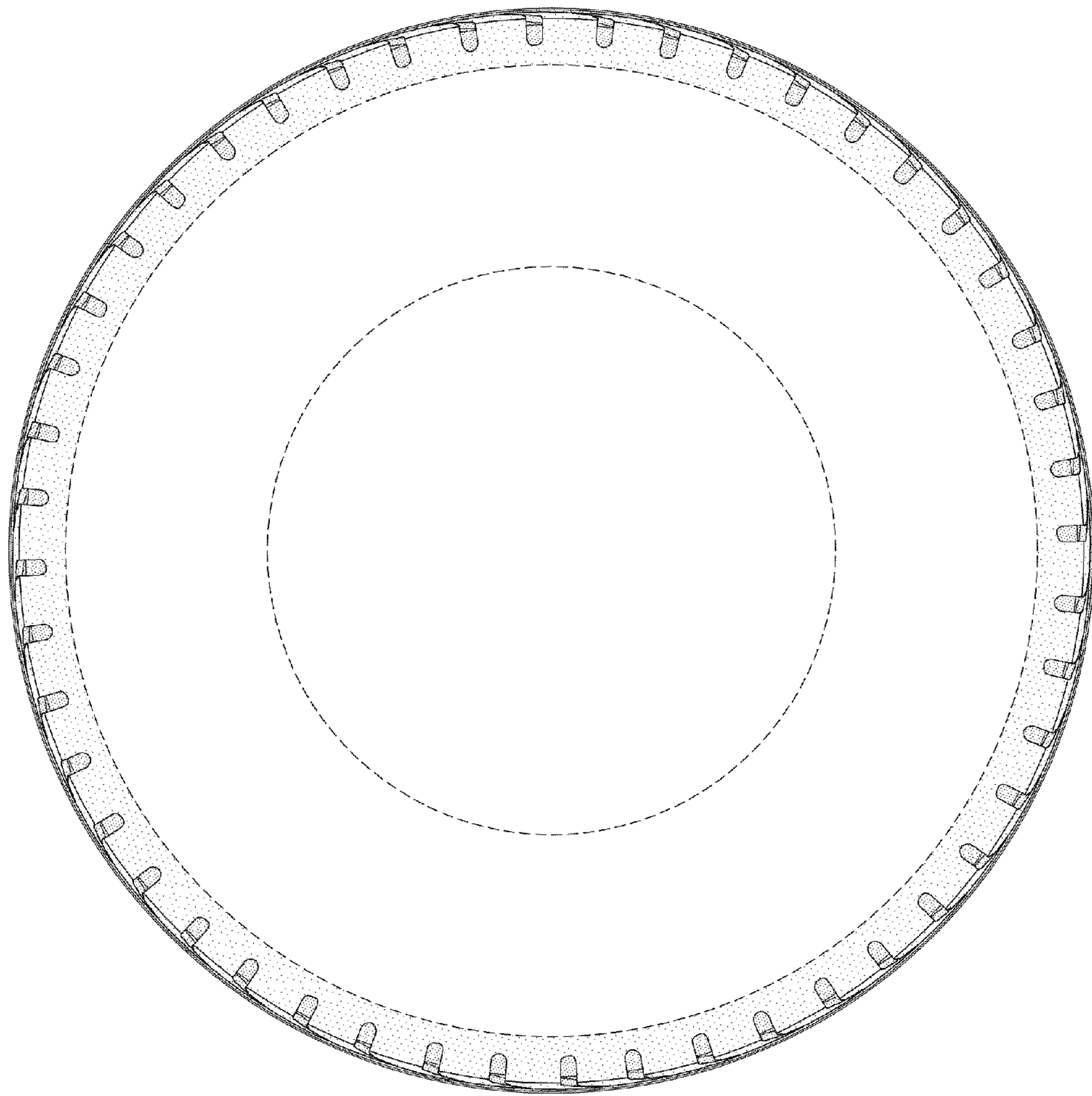


FIG-3

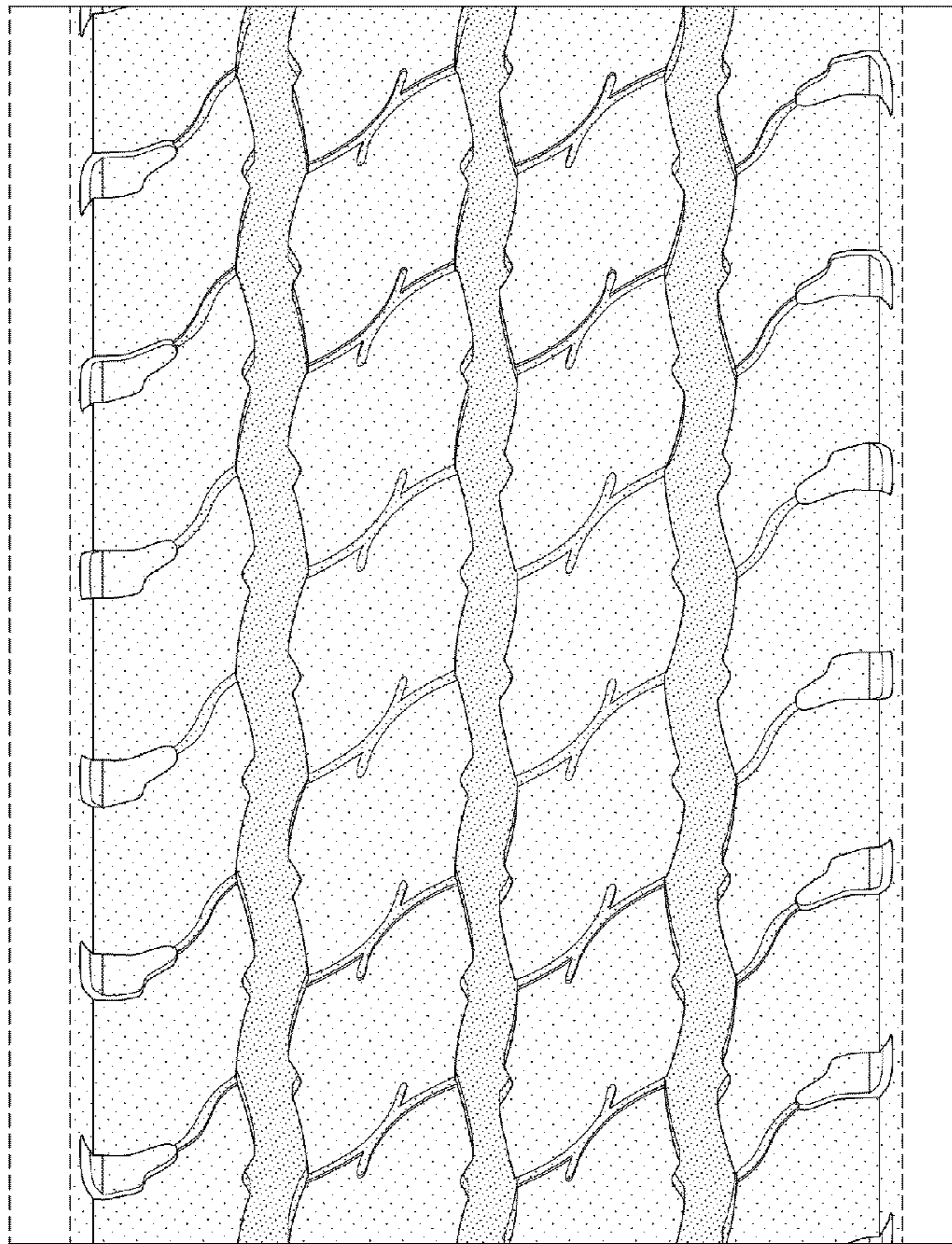


FIG-4

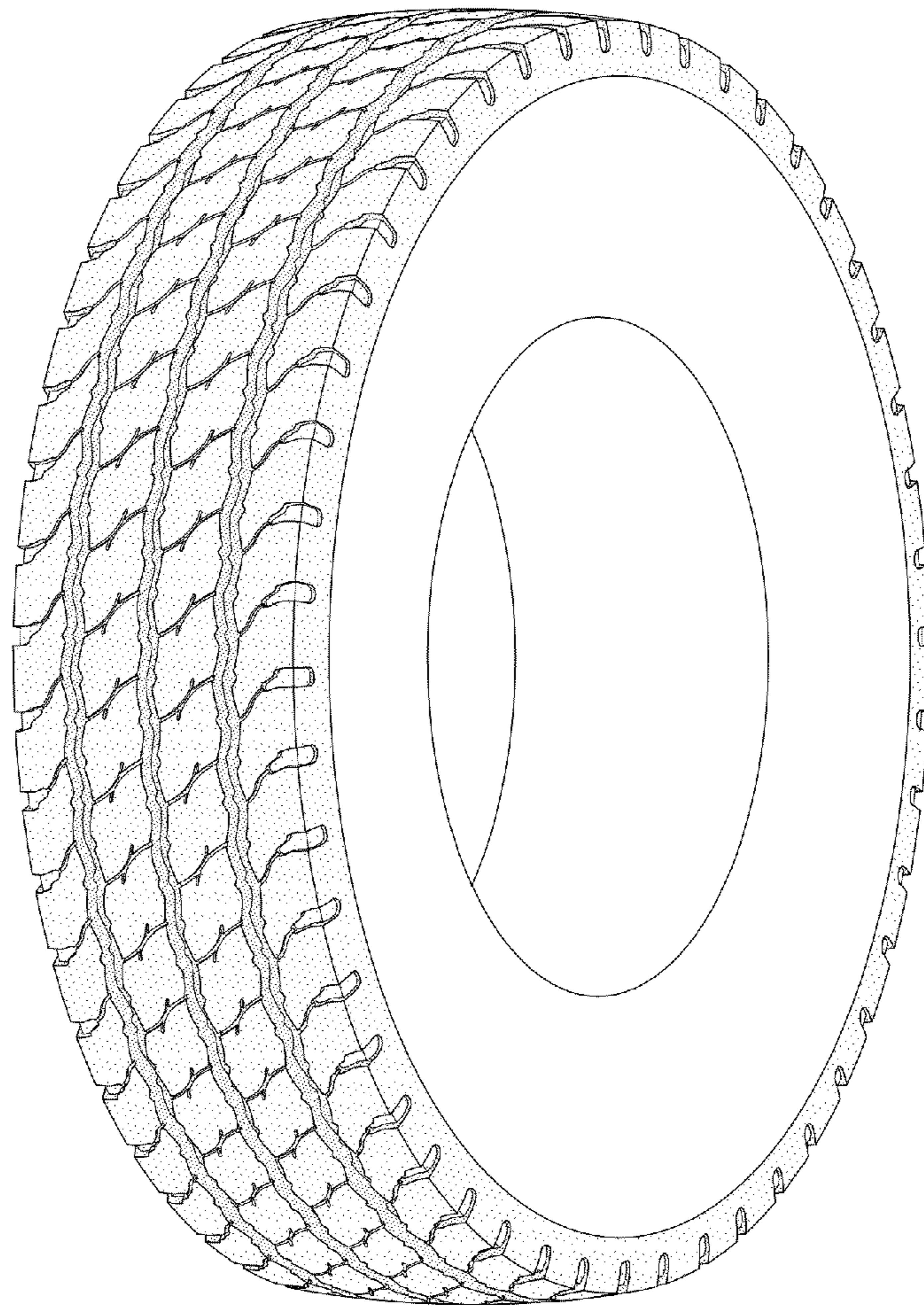


FIG-5

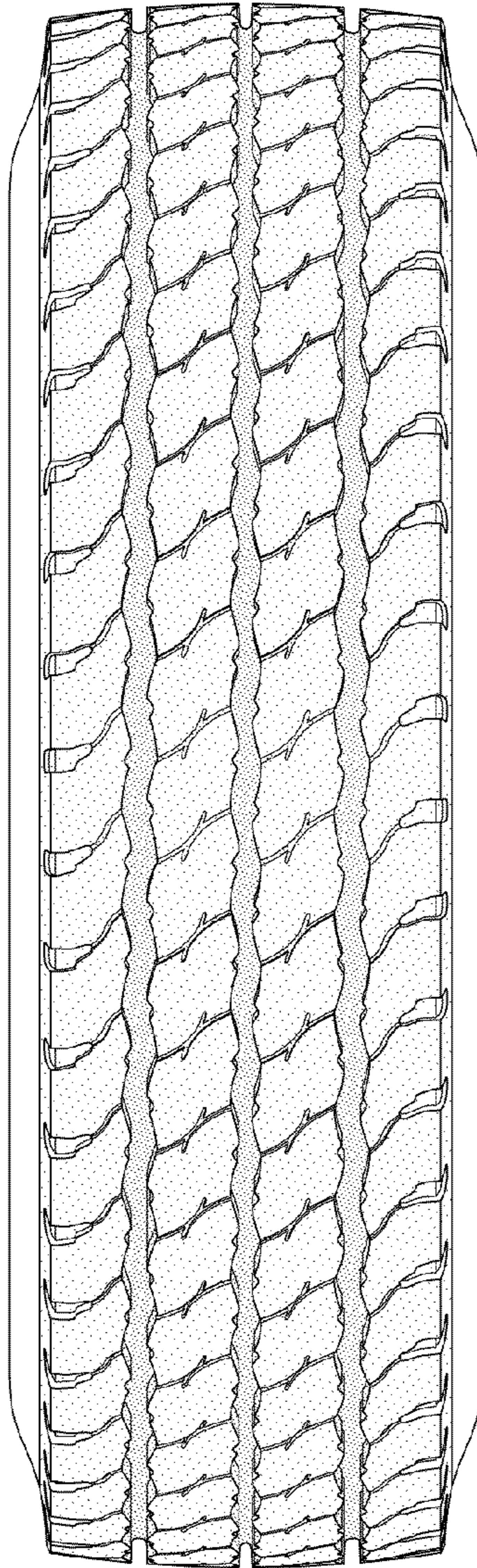


FIG-6