



US00D744392S

(12) **United States Design Patent**
Pittman

(10) **Patent No.:** **US D744,392 S**
(45) **Date of Patent:** **** Dec. 1, 2015**

(54) **STEERING WHEEL COVER WITH
KEYBOARD GRIP**

(71) Applicant: **Craig Allen Pittman**, Bellevue, WA
(US)

(72) Inventor: **Craig Allen Pittman**, Bellevue, WA
(US)

(**) Term: **14 Years**

(21) Appl. No.: **29/474,582**

(22) Filed: **Nov. 10, 2014**

(51) **LOC (10) Cl.** **12-16**

(52) **U.S. Cl.**
USPC **D12/177**

(58) **Field of Classification Search**
USPC D12/175, 176, 177; 74/552, 558, 558.5;
D11/120; D21/398, 400, 707; 219/202,
219/204
CPC B62D 1/06; B29C 44/06
See application file for complete search history.

6,095,552 A	8/2000	Hosoi et al.	
D436,068 S	1/2001	Stevens	
D437,272 S	2/2001	Lin	
D441,699 S	5/2001	Lin	
D442,129 S *	5/2001	Schmitt	D12/176
D443,237 S	6/2001	Hsu	
D447,455 S	9/2001	Stevens	
D457,472 S	5/2002	Burden	
6,651,526 B1 *	11/2003	Imaizumi	B62D 1/06 74/552
D486,105 S	2/2004	Proudfit	
D506,957 S	7/2005	Huang	
D507,771 S	7/2005	Wang	
7,361,826 B2 *	4/2008	Brun	G10G 5/005 84/429
7,380,479 B2	6/2008	Landry	
D683,288 S *	5/2013	Kho	D12/177
D701,153 S	3/2014	Shen	
2006/0070486 A1 *	4/2006	Xu	B62D 1/06 74/552
2006/0163235 A1 *	7/2006	Warren	B60H 1/00557 219/202
2013/0192444 A1 *	8/2013	Parsons	G10C 3/12 84/429
2014/0069975 A1 *	3/2014	Flaherty	B60R 9/10 224/572
2015/0217794 A1 *	8/2015	Kong	B62D 1/06 74/558

* cited by examiner

Primary Examiner — Robert M Spear
Assistant Examiner — Kendra L Hamilton

(57) **CLAIM**
An ornamental design for a steering wheel cover with keyboard grip, as shown and described.

DESCRIPTION

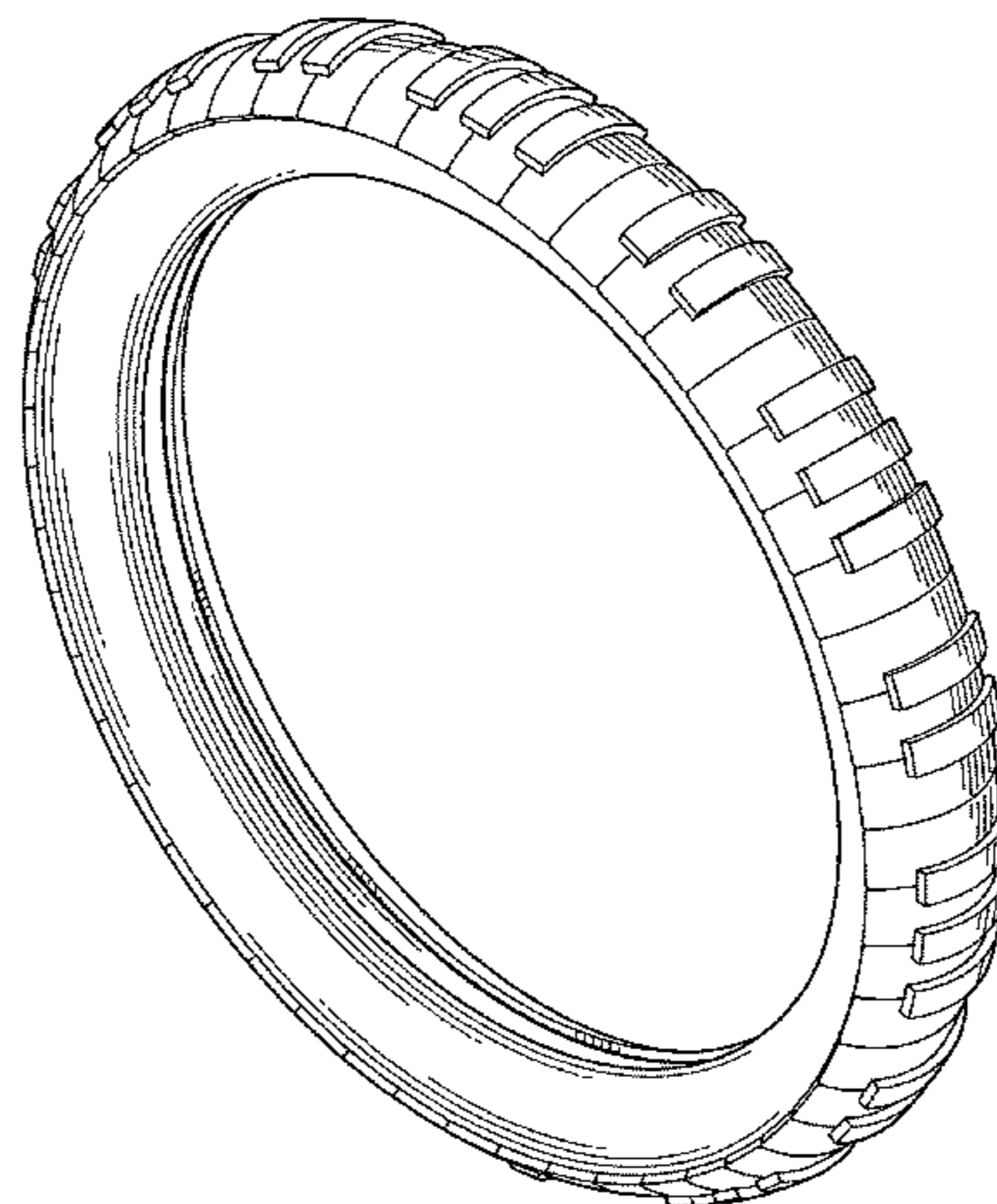
FIG. 1 is a perspective front view of a steering wheel cover with keyboard grip, showing my new design;
FIG. 2 is a front view thereof, illustrated on an unclaimed steering wheel;
FIG. 3 is a back view thereof;
FIG. 4 is a left side view thereof;
FIG. 5 is a right side view thereof;
FIG. 6 is a top view thereof; and,
FIG. 7 is a bottom view thereof.
The broken lines shown represent unclaimed subject matter and form no part of the claimed design.

1 Claim, 5 Drawing Sheets

(56) **References Cited**

U.S. PATENT DOCUMENTS

1,220,877 A *	3/1917	Morgan	B62D 1/04 74/552
4,179,950 A	12/1979	Valley	
4,352,310 A *	10/1982	Orlandoni	G10H 1/32 84/424
4,441,382 A	4/1984	Snooks	
D280,314 S	8/1985	Strongwater	
4,800,776 A	1/1989	Strongwater	
5,042,318 A	8/1991	Franz	
D342,925 S	1/1994	Brajcki	
D364,372 S	11/1995	Shroitman	
5,743,154 A	4/1998	Jacinth	
D395,629 S	6/1998	Moore, Jr.	
5,834,734 A *	11/1998	Ogata	H05B 3/00 219/204
D409,538 S	5/1999	Isetani	
D411,495 S	6/1999	Itshakov	
D415,459 S	10/1999	Itshakov	
D419,508 S *	1/2000	Lin	D12/177
D429,671 S	8/2000	Stevens	



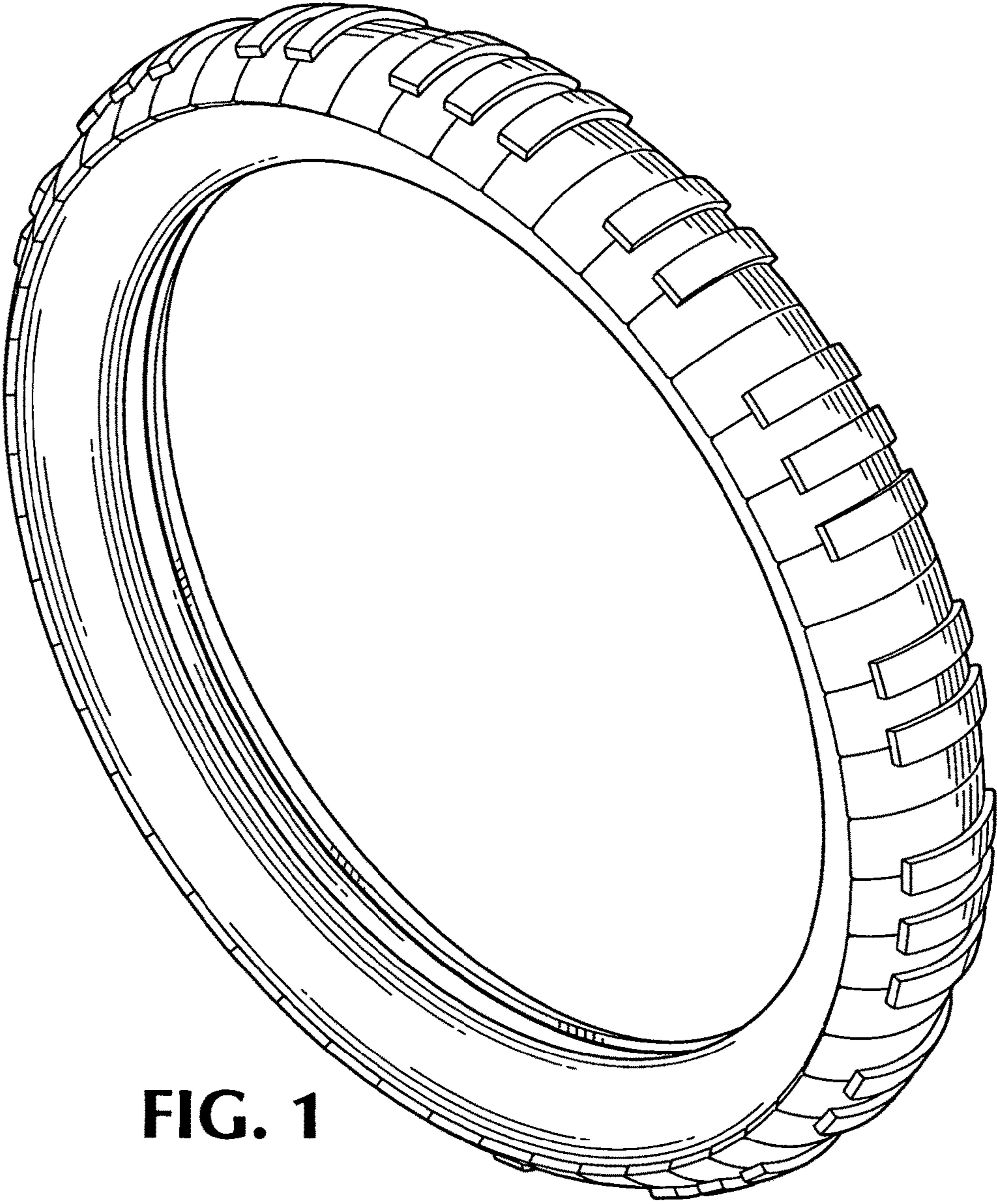


FIG. 1

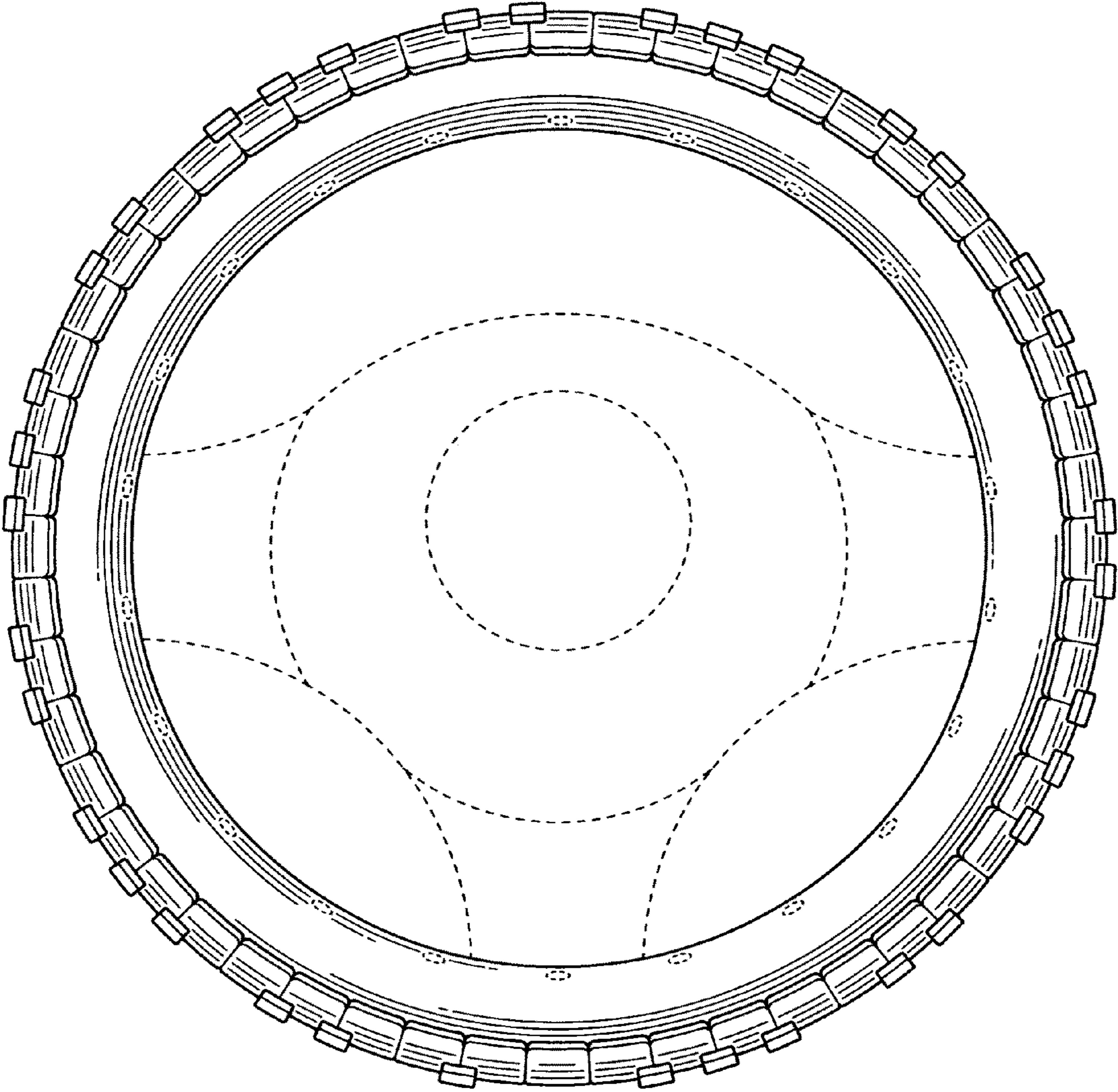


FIG. 2

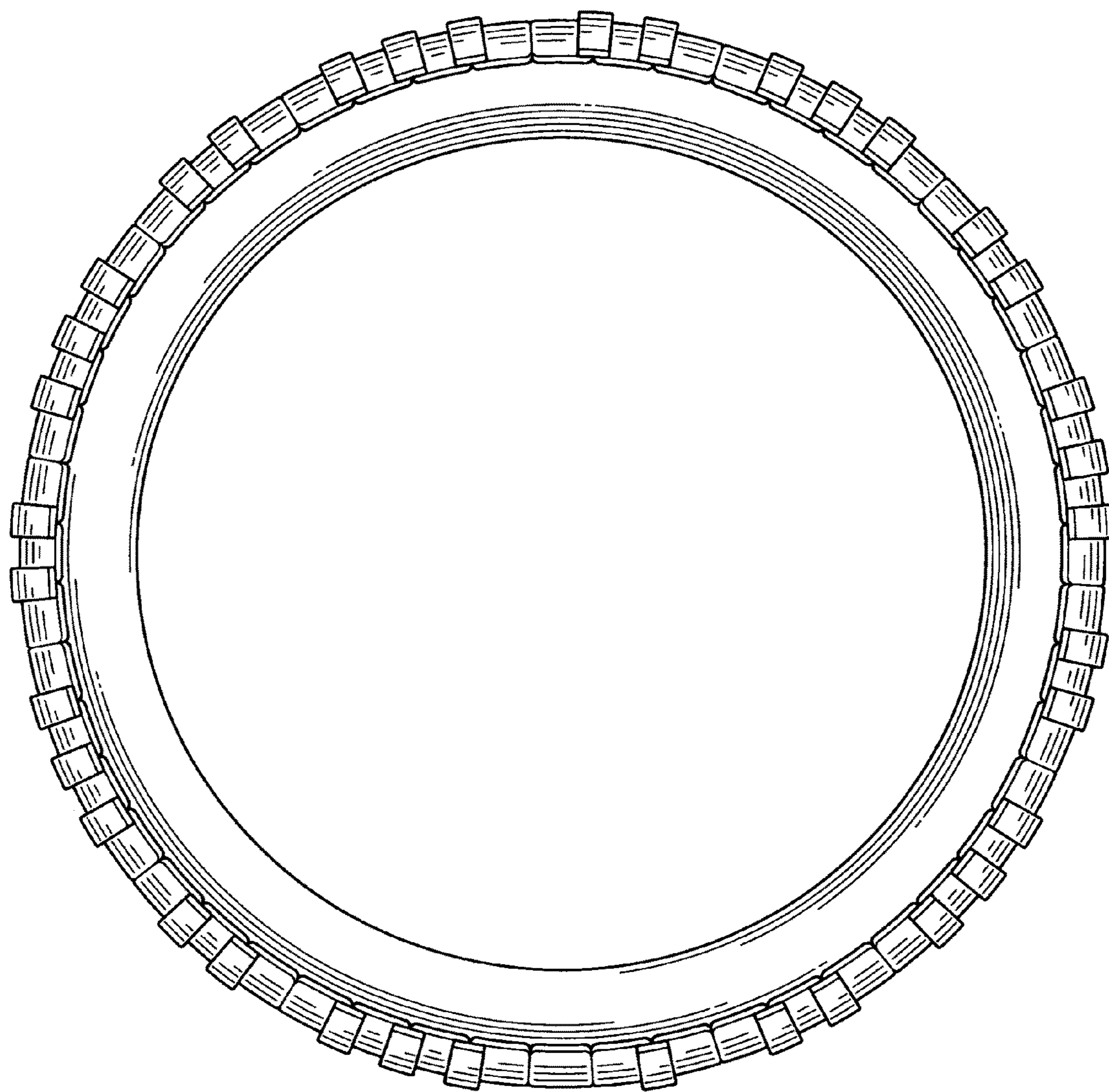


FIG. 3

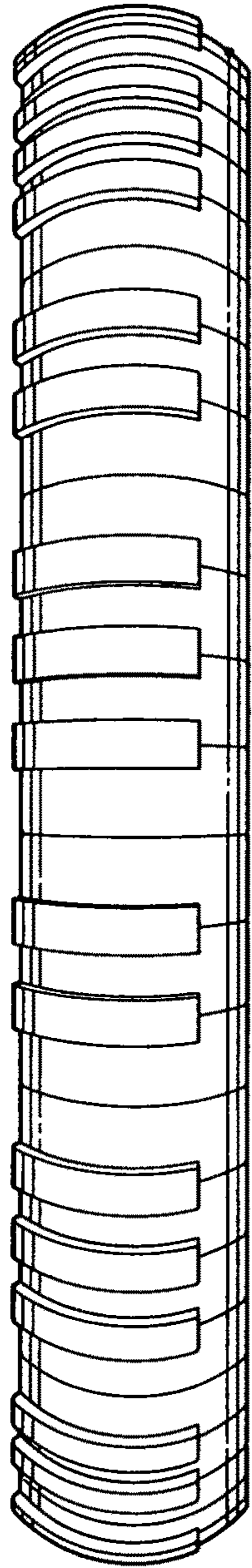


FIG. 4

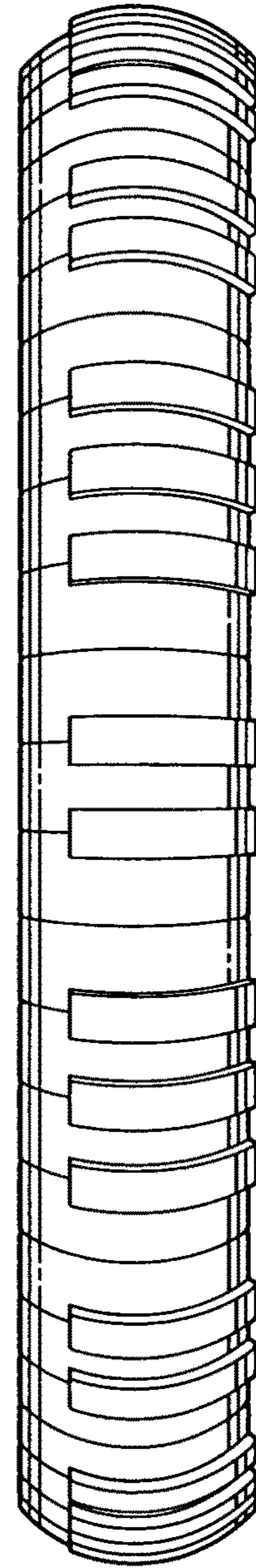


FIG. 5

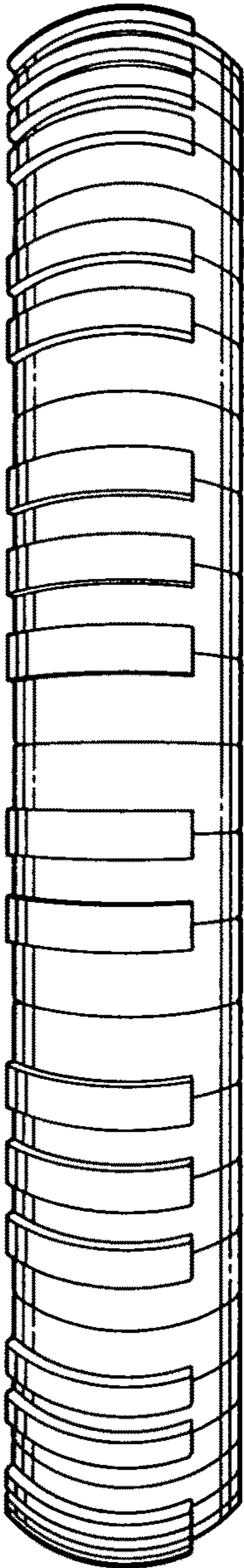


FIG. 6

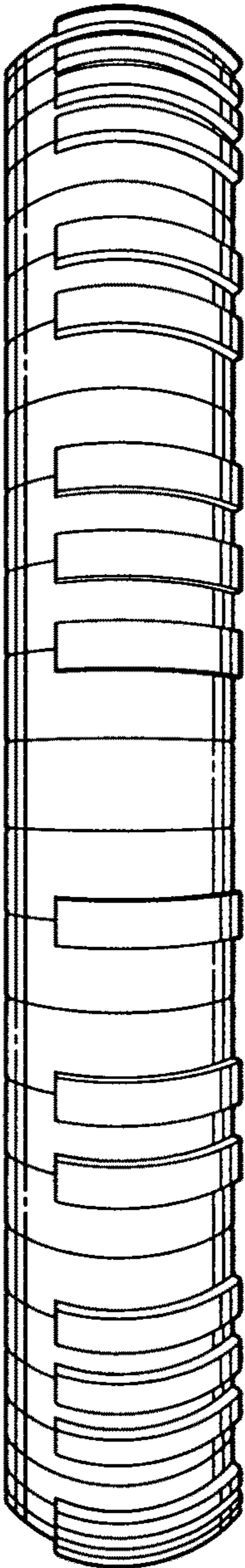


FIG. 7