



US00D744384S

(12) **United States Design Patent**  
**Harriton**

(10) **Patent No.:** **US D744,384 S**

(45) **Date of Patent:** **\*\* Dec. 1, 2015**

(54) **BUMPER**

(71) Applicant: **StreetCar ORV LLC**, Wixom, MI (US)

(72) Inventor: **David Harriton**, Missoula, MT (US)

(73) Assignee: **STREETCAR ORV LLC**, Commerce Township, MI (US)

(\*\*) Term: **14 Years**

(21) Appl. No.: **29/471,671**

(22) Filed: **Nov. 4, 2013**

(51) **LOC (10) Cl.** ..... **12-16**

(52) **U.S. Cl.**  
USPC ..... **D12/169**

(58) **Field of Classification Search**  
USPC ..... D12/86, 90, 91, 92, 163, 164, 169, 171,  
D12/196, 216; 180/68.4, 68.6; 293/102,  
293/112, 113, 115, 117, 120; 296/180.1,  
296/180.2

See application file for complete search history.

(56) **References Cited**

**U.S. PATENT DOCUMENTS**

1,686,991 A \* 10/1928 Schauman et al. .... 180/279  
2,194,042 A \* 3/1940 Wyatt ..... 40/200  
D300,128 S \* 3/1989 Brennan ..... D12/169  
D560,144 S \* 1/2008 Tant et al. .... D12/169

D570,748 S \* 6/2008 Nakamura et al. .... D12/169  
D609,143 S \* 2/2010 Krugger et al. .... D12/169  
D612,778 S \* 3/2010 Beigel et al. .... D12/169  
D632,233 S \* 2/2011 Iuchi ..... D12/169  
D638,760 S \* 5/2011 Okada ..... D12/169  
D655,652 S \* 3/2012 Hanson et al. .... D12/169  
D695,655 S \* 12/2013 Kawasaki ..... D12/169  
D697,842 S \* 1/2014 Harriton ..... D12/167  
D711,295 S \* 8/2014 Mackay ..... D12/169

\* cited by examiner

*Primary Examiner* — Philip S Hyder

*Assistant Examiner* — Darlington Ly

(74) *Attorney, Agent, or Firm* — Quinn Law Group, PLLC.

(57) **CLAIM**

I claim the ornamental design for a bumper, as shown and described.

**DESCRIPTION**

FIG. 1 is a front and left side perspective view of a bumper showing my new design;

FIG. 2 is a front elevation view thereof;

FIG. 3 is a top plan view thereof;

FIG. 4 is a bottom plan view thereof;

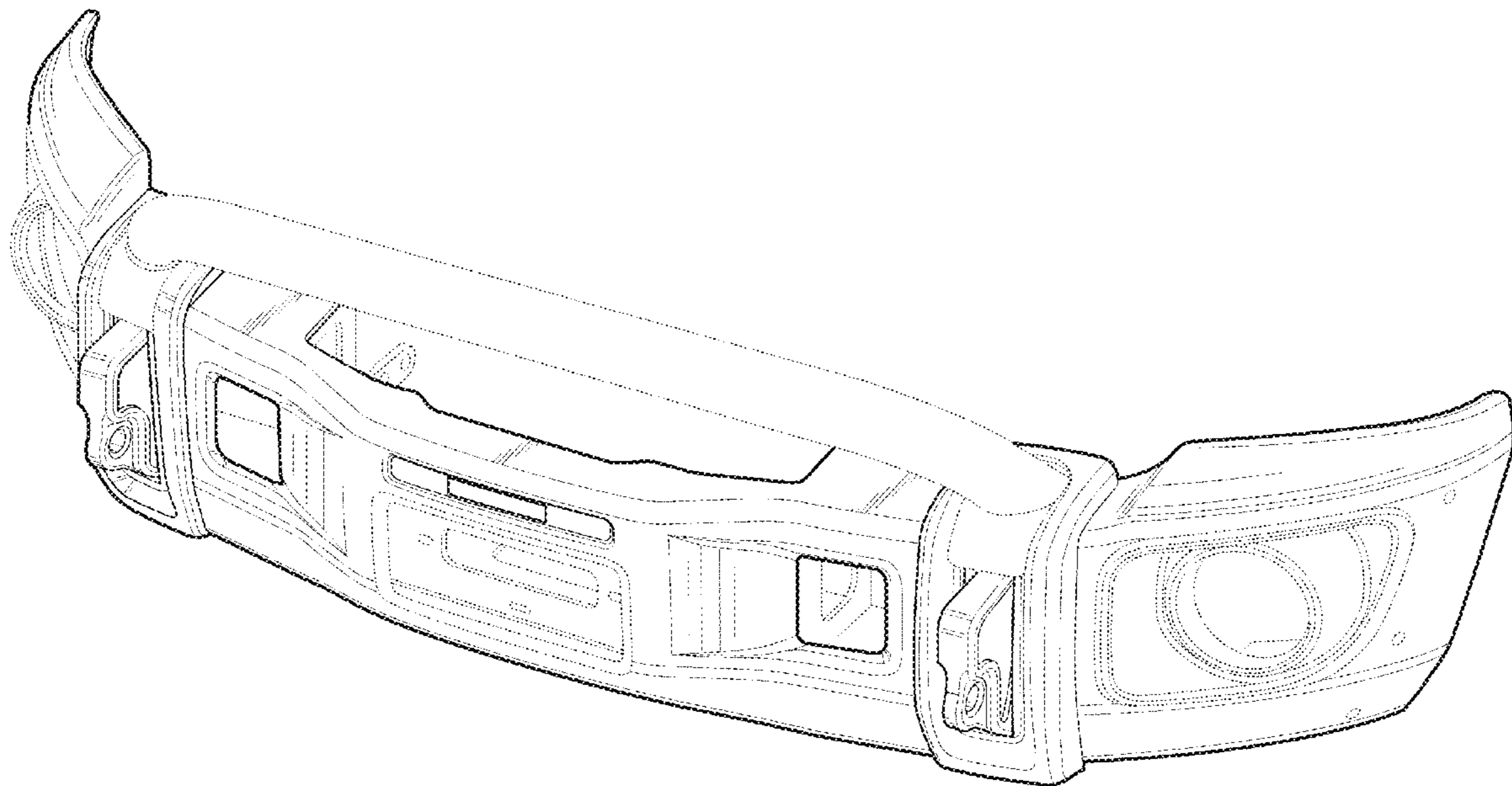
FIG. 5 is a rear elevation view thereof;

FIG. 6 is a left side elevation view thereof; and,

FIG. 7 is a right side elevation view thereof.

The broken lines in the drawings illustrate portions of the bumper that forms no part of the claimed design.

**1 Claim, 4 Drawing Sheets**



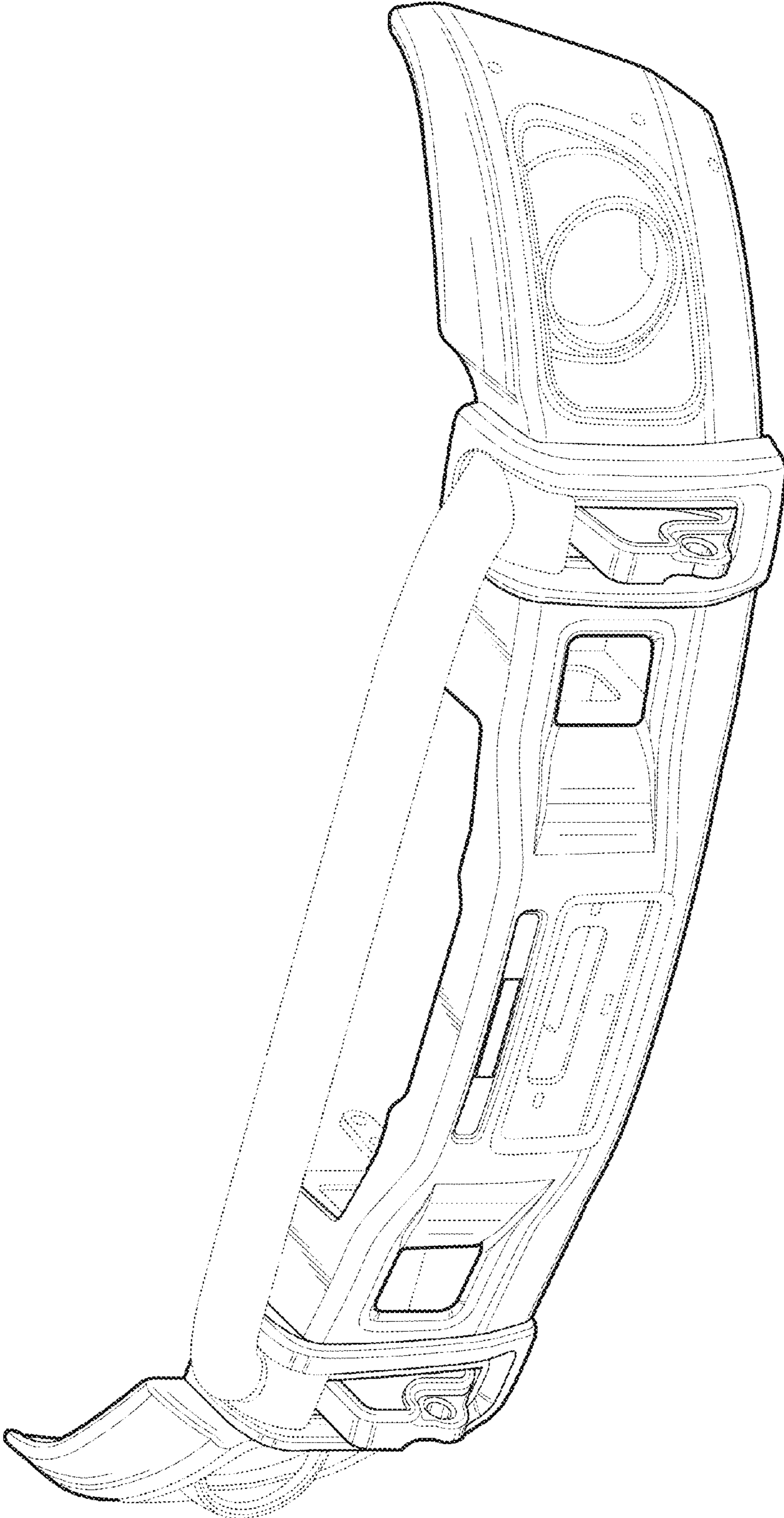


FIG. 1

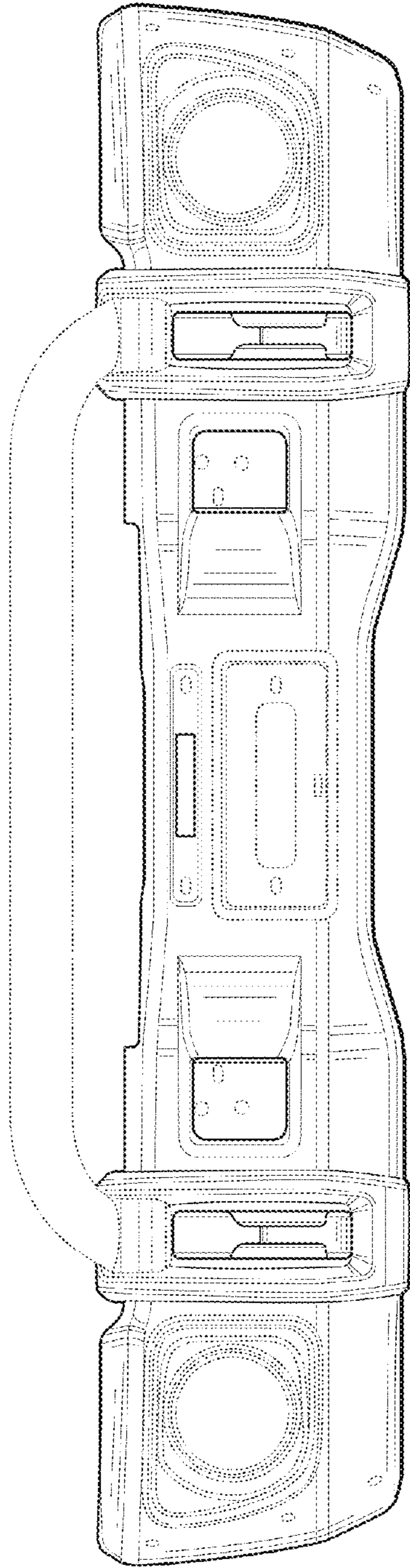


FIG. 2

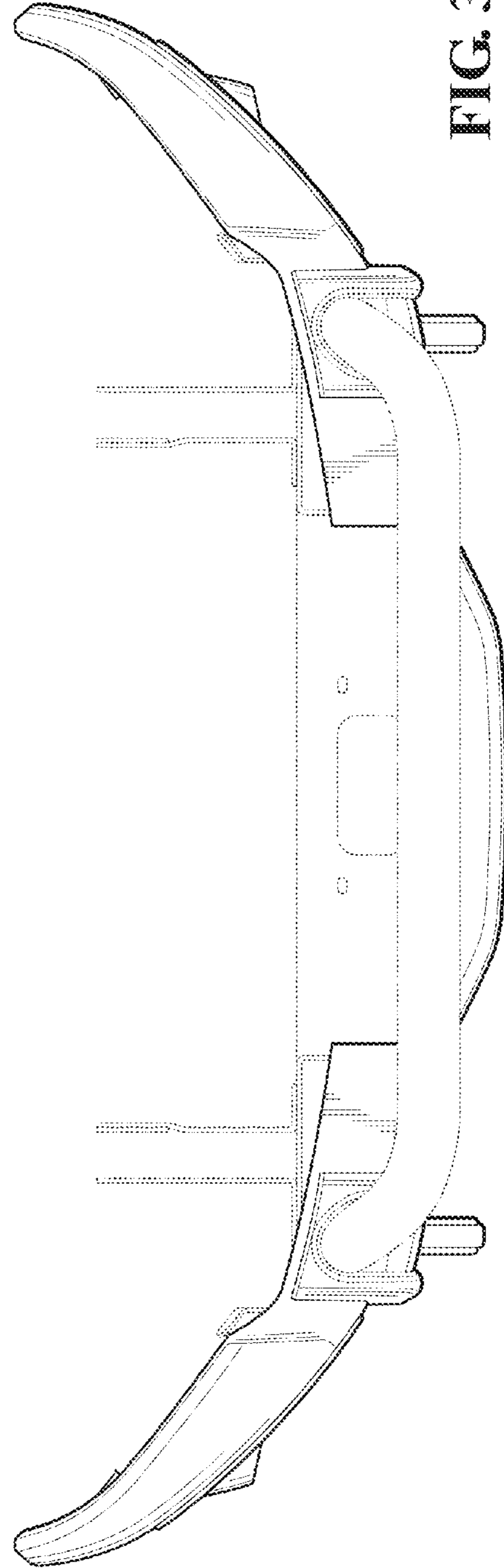


FIG. 3

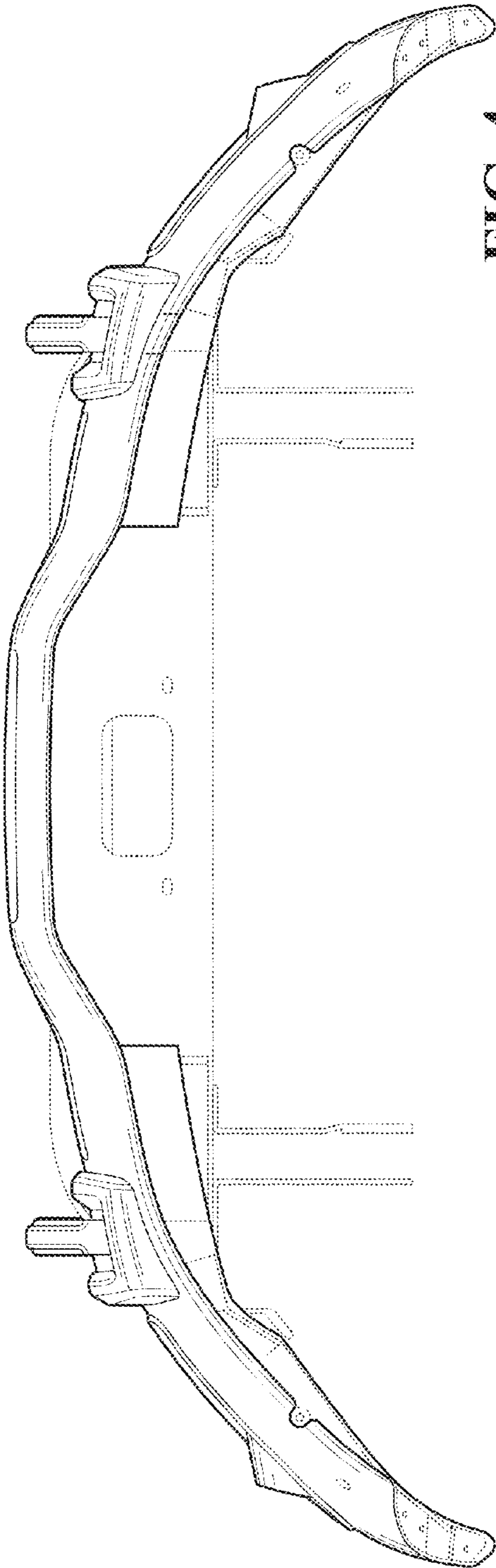


FIG. 4

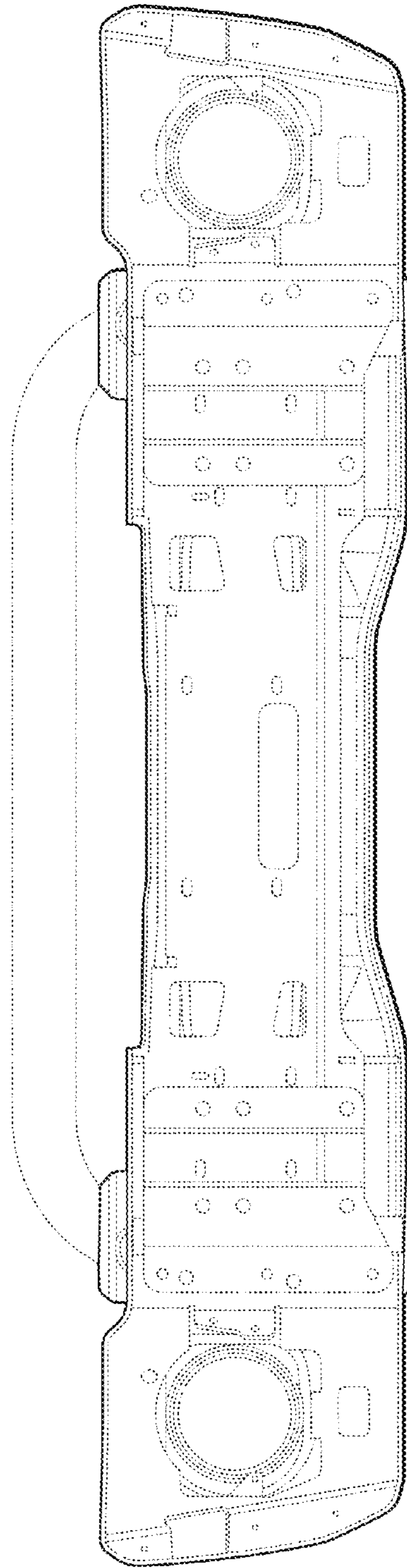
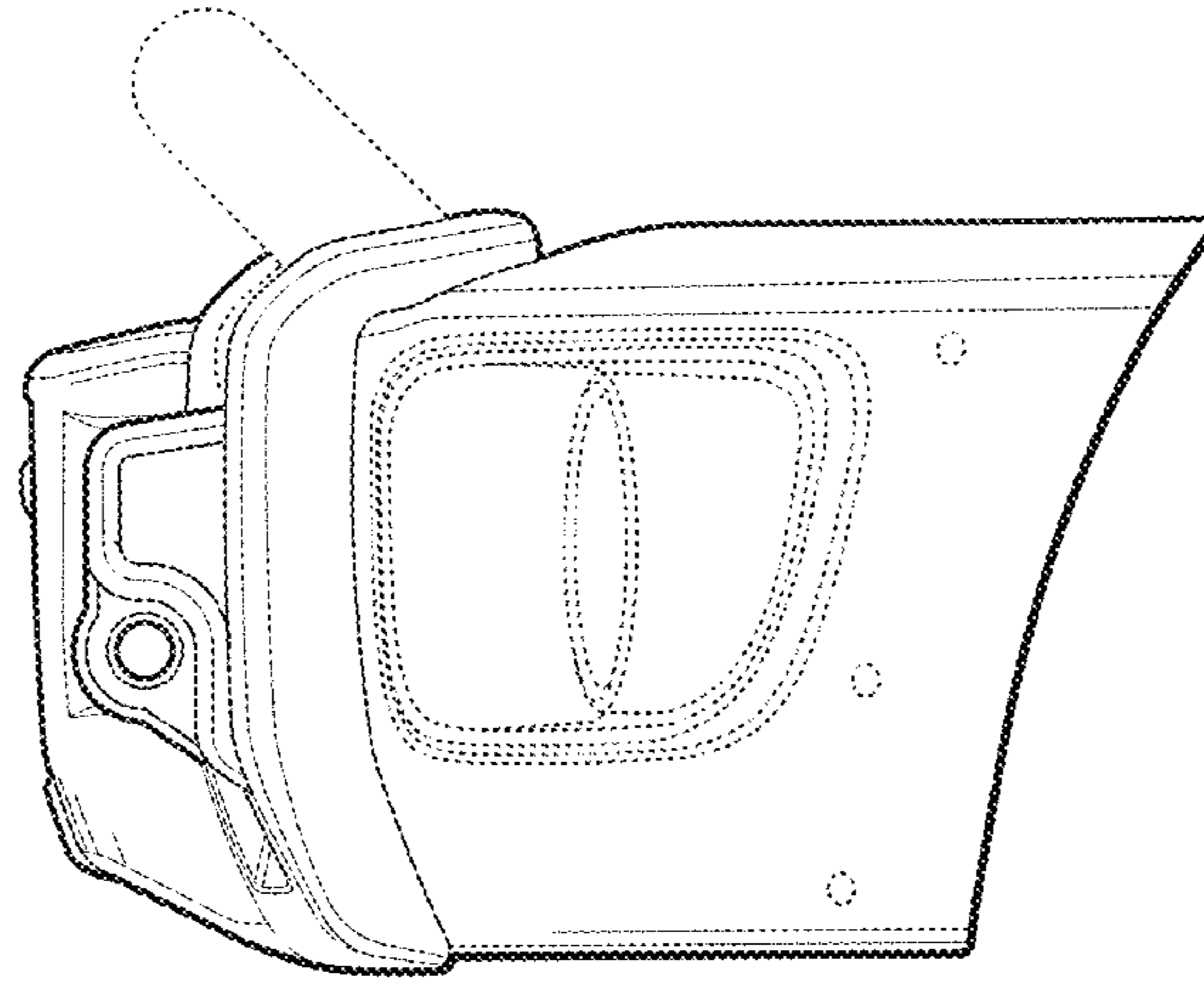
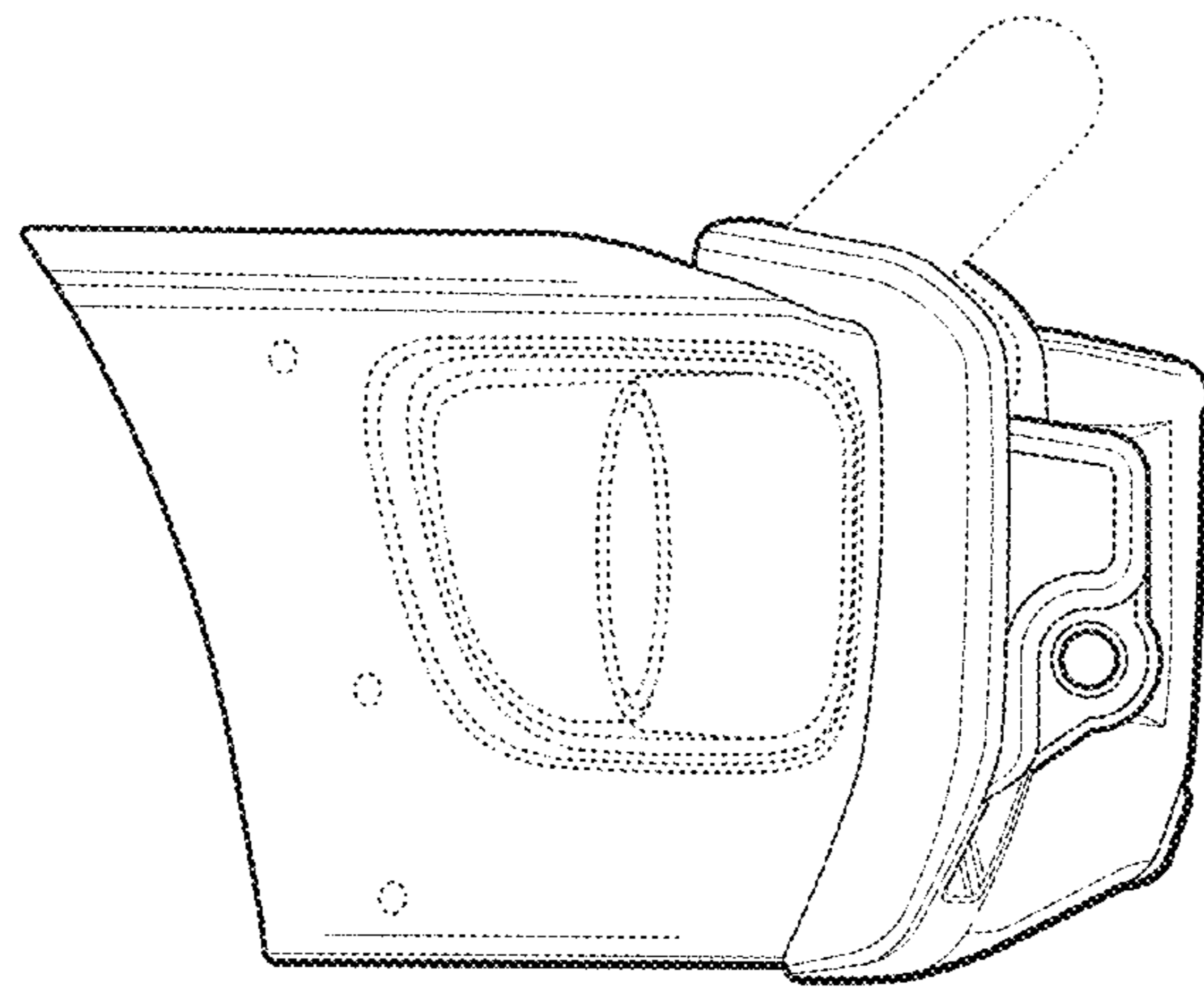


FIG. 5



**FIG. 6**



**FIG. 7**