



US00D744382S

(12) **United States Design Patent**  
**Woller et al.**

(10) **Patent No.:** **US D744,382 S**  
(45) **Date of Patent:** **\*\* Dec. 1, 2015**

- (54) **RECEIVER HITCH CARGO LIFT**
- (71) Applicants: **Ronald Ray Woller**, Decatur, AL (US);  
**John Arnold Woller, Jr.**, Decatur, AL (US); **John Arnold Woller, Sr.**, Decatur, AL (US)
- (72) Inventors: **Ronald Ray Woller**, Decatur, AL (US);  
**John Arnold Woller, Jr.**, Decatur, AL (US); **John Arnold Woller, Sr.**, Decatur, AL (US)
- (73) Assignee: **VIKING SOLUTIONS, LLC**, Decatur, AL (US)

D688,170 S *	8/2013	Woolever .....	D12/162
8,678,737 B2	3/2014	DiGiovanni	
D708,099 S *	7/2014	Oman .....	D12/162
D709,804 S *	7/2014	Provost .....	D12/162
8,925,953 B2 *	1/2015	Alguera .....	B62D 53/08 280/407.1
2001/0014272 A1	8/2001	Ochoa	
2003/0165376 A1	9/2003	Bruno	
2005/0031441 A1	2/2005	Cheng	
2013/0078065 A1	3/2013	Butler	
2014/0023470 A1	1/2014	Soklaski	

(\*\*) Term: **14 Years**

(21) Appl. No.: **29/474,644**

(22) Filed: **Dec. 11, 2014**

(51) **LOC (10) Cl.** ..... **12-16**

(52) **U.S. Cl.**  
USPC ..... **D12/162**

(58) **Field of Classification Search**  
USPC ..... D12/162, 159, 160, 161  
CPC ..... B60D 1/065; B60D 1/00; B60D 1/60;  
B60D 1/06  
See application file for complete search history.

(56) **References Cited**

**U.S. PATENT DOCUMENTS**

5,201,628 A	4/1993	Driver	
6,152,675 A	11/2000	Compton	
6,557,483 B2 *	5/2003	Nathan .....	B60D 1/36 116/173
6,729,827 B1	5/2004	Williams	
D612,774 S *	3/2010	Gordon .....	D12/162
7,780,394 B1	8/2010	Becker	
7,798,760 B2	9/2010	Strassman	
D638,087 S *	5/2011	Schull .....	D12/162
D641,668 S *	7/2011	Exarhos .....	D12/162
D658,549 S *	5/2012	Neumann .....	D12/106
D673,084 S *	12/2012	Wu .....	D12/162
8,327,979 B2	12/2012	Lynch	
D682,750 S *	5/2013	Smith .....	D12/162

\* cited by examiner

*Primary Examiner* — Katrina A Betton

(57) **CLAIM**

The ornamental design for a receiver hitch cargo lift, as shown and described.

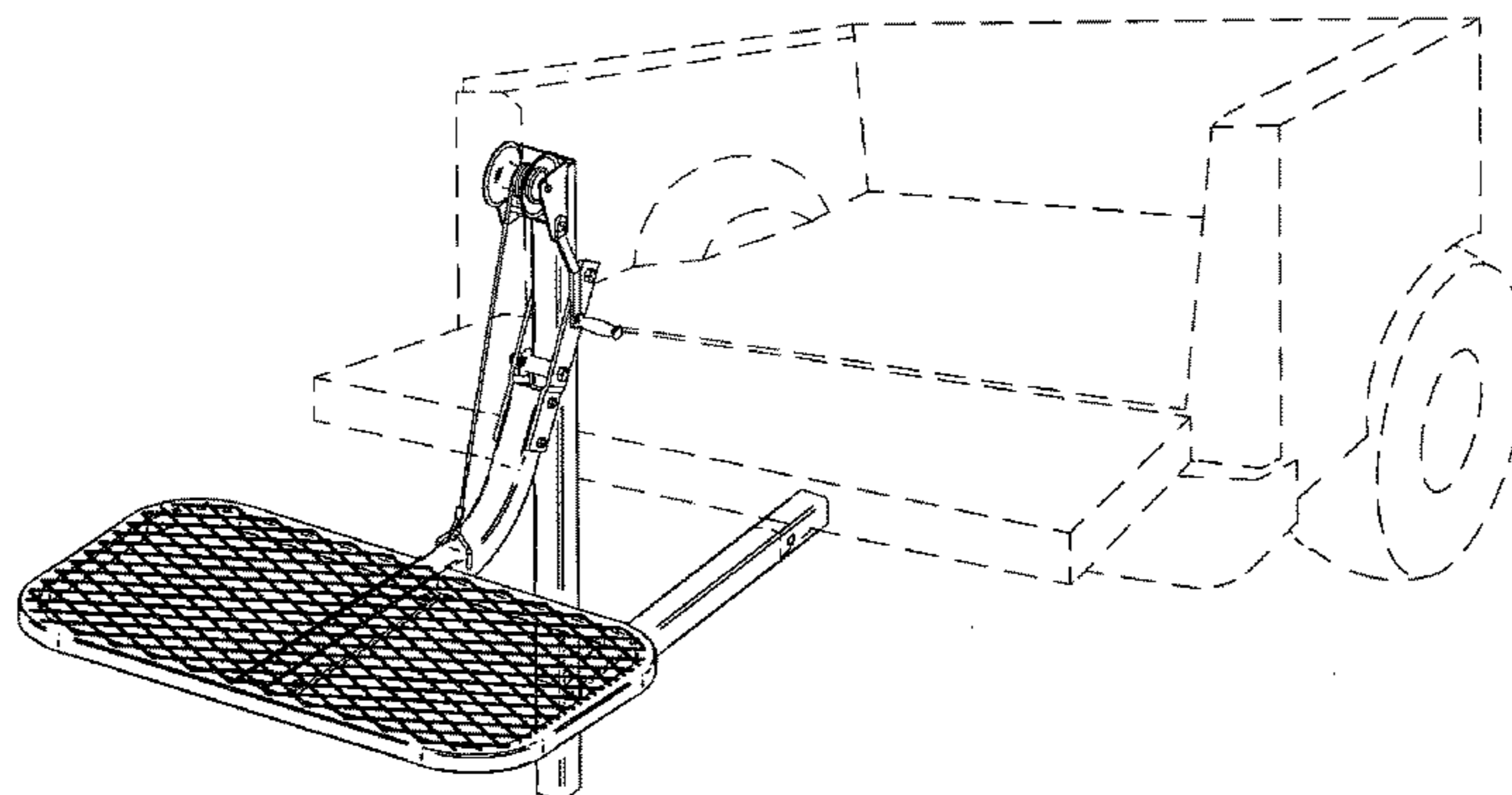
**DESCRIPTION**

FIG. 1 Top, left, front perspective view of the receiver hitch cargo lift, with an exemplary vehicle shown in dotted lines;  
 FIG. 2 Top, left, front perspective view of the receiver hitch cargo lift, wherein the vehicle is not shown;  
 FIG. 3 Top, left, rear perspective view of the receiver hitch cargo lift;  
 FIG. 4 Front elevation view of the receiver hitch cargo lift of FIG. 2;  
 FIG. 5 Left elevation view of the receiver hitch cargo lift of FIG. 2;  
 FIG. 6 Right elevation view of the receiver hitch cargo lift of FIG. 2;  
 FIG. 7 Top plan view of the receiver hitch cargo lift of FIG. 2;  
 FIG. 8 Bottom plan view of the receiver hitch cargo lift of FIG. 2; and,  
 FIG. 9 Back elevation view of the receiver hitch cargo lift of FIG. 2.

In FIG. 1, the broken line outline of the vehicle is shown for environment purposes only and forms no part of the claimed design.

A receiver hitch mounted cargo lift with hand operated hoist to assist in lifting and loading heavy or bulky objects into a vehicle.

**1 Claim, 9 Drawing Sheets**



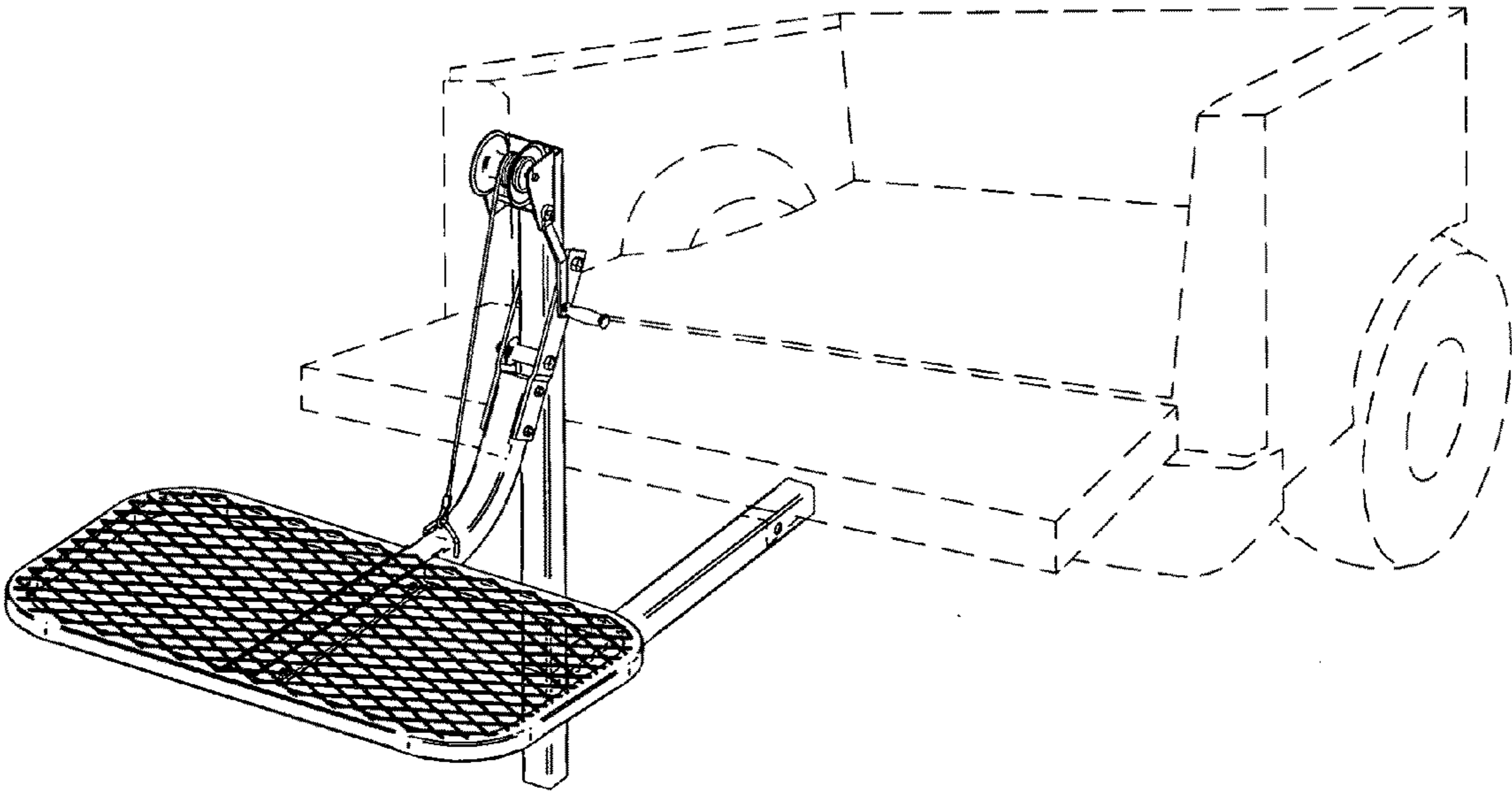
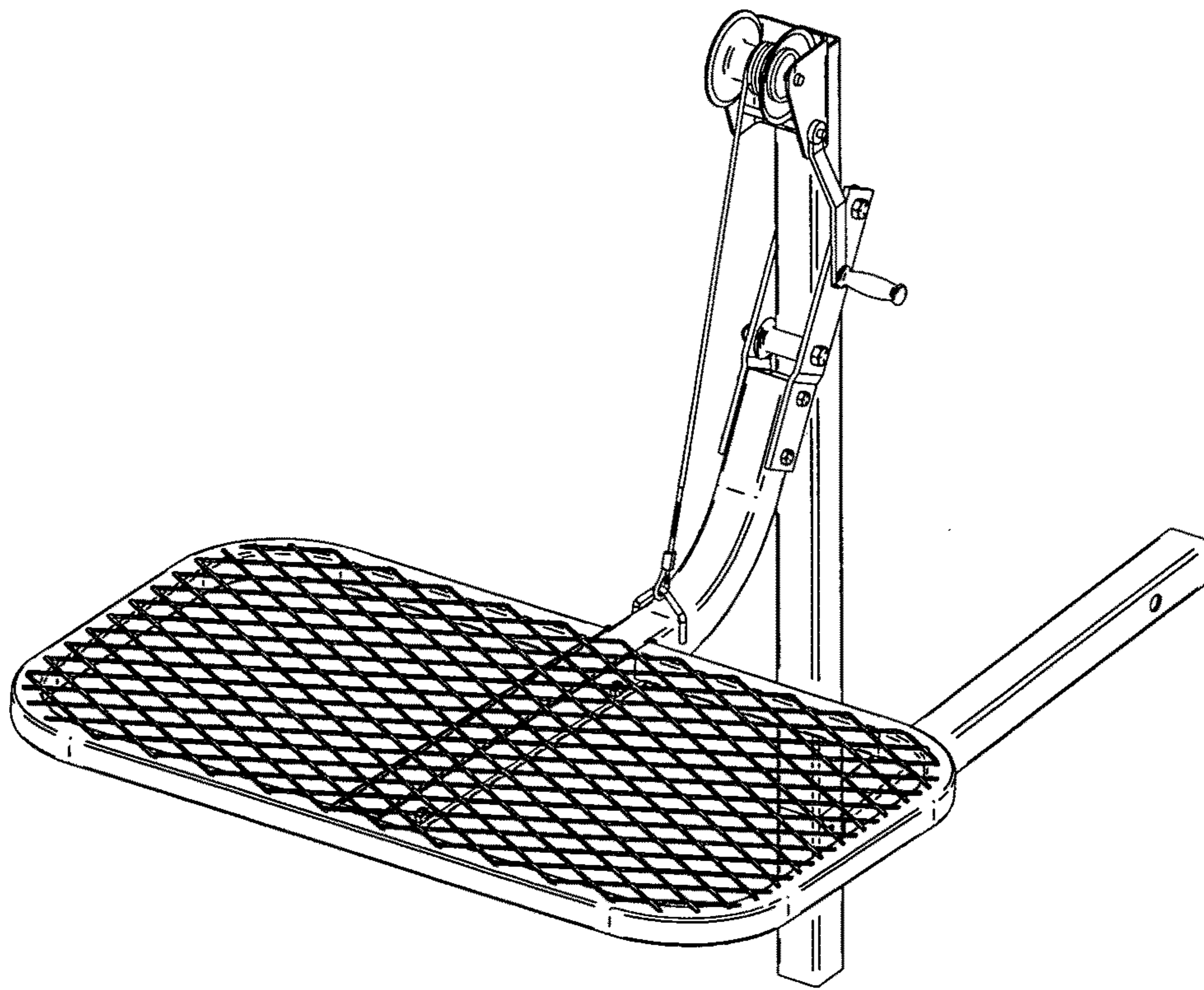
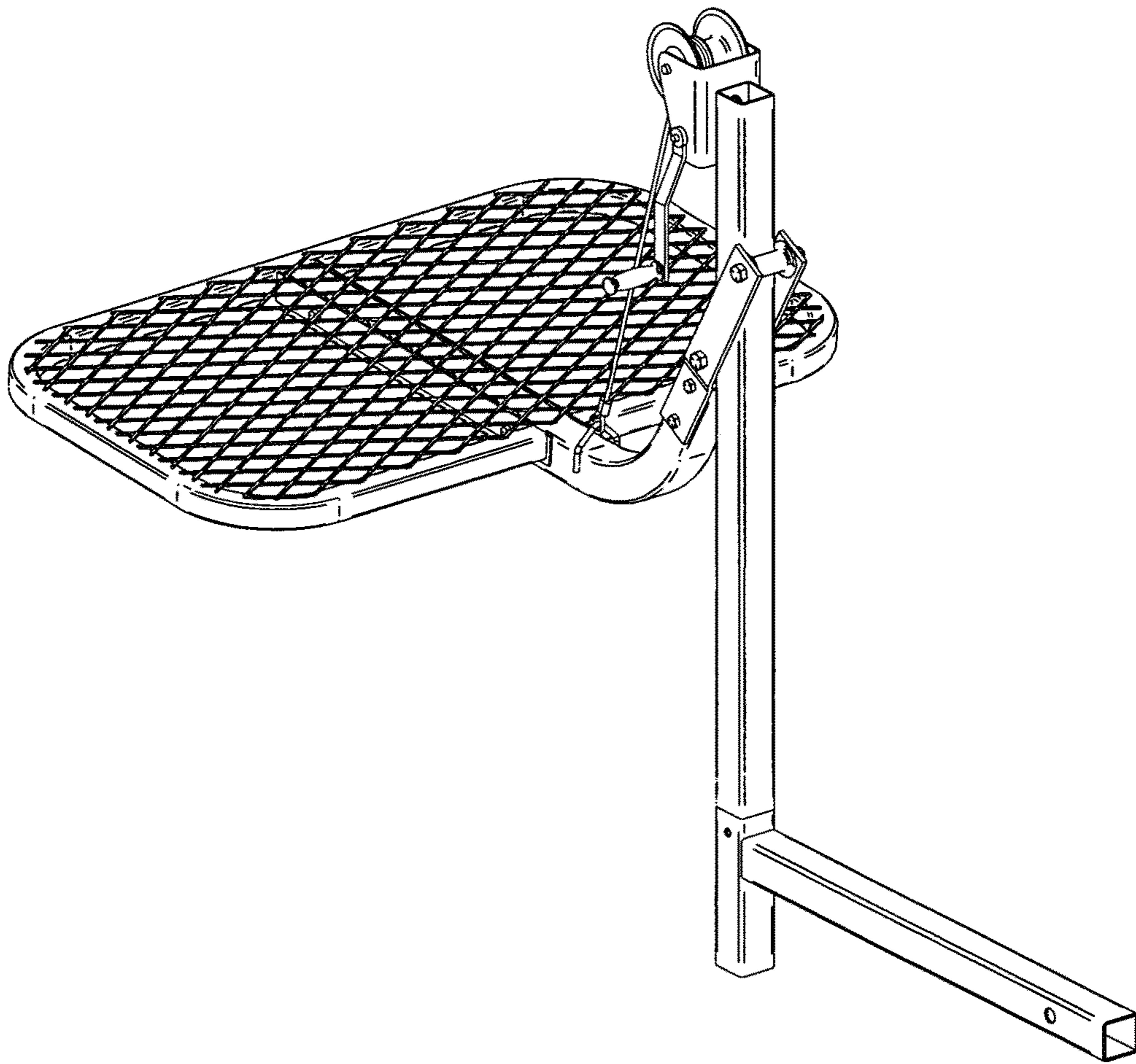


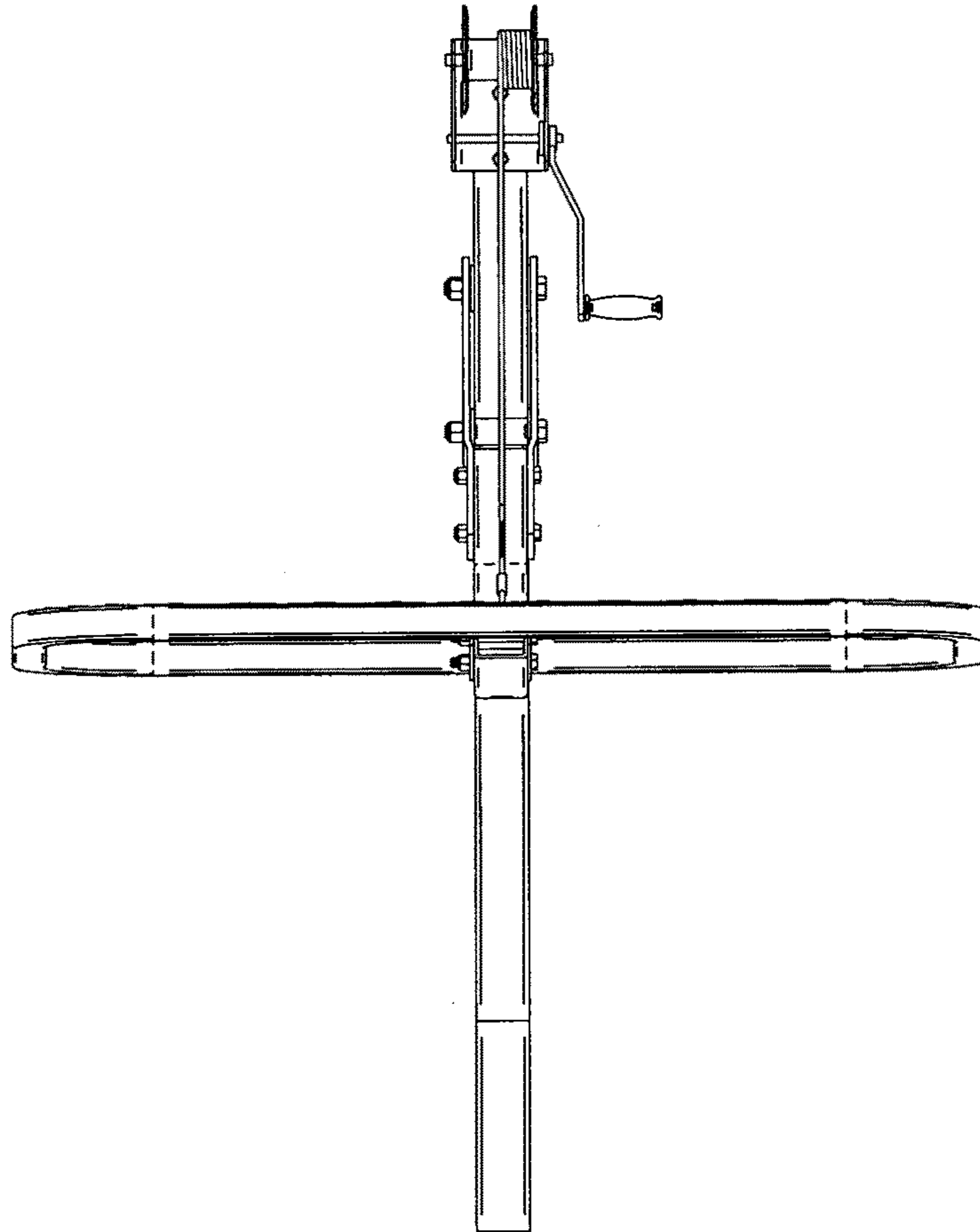
FIG. 1



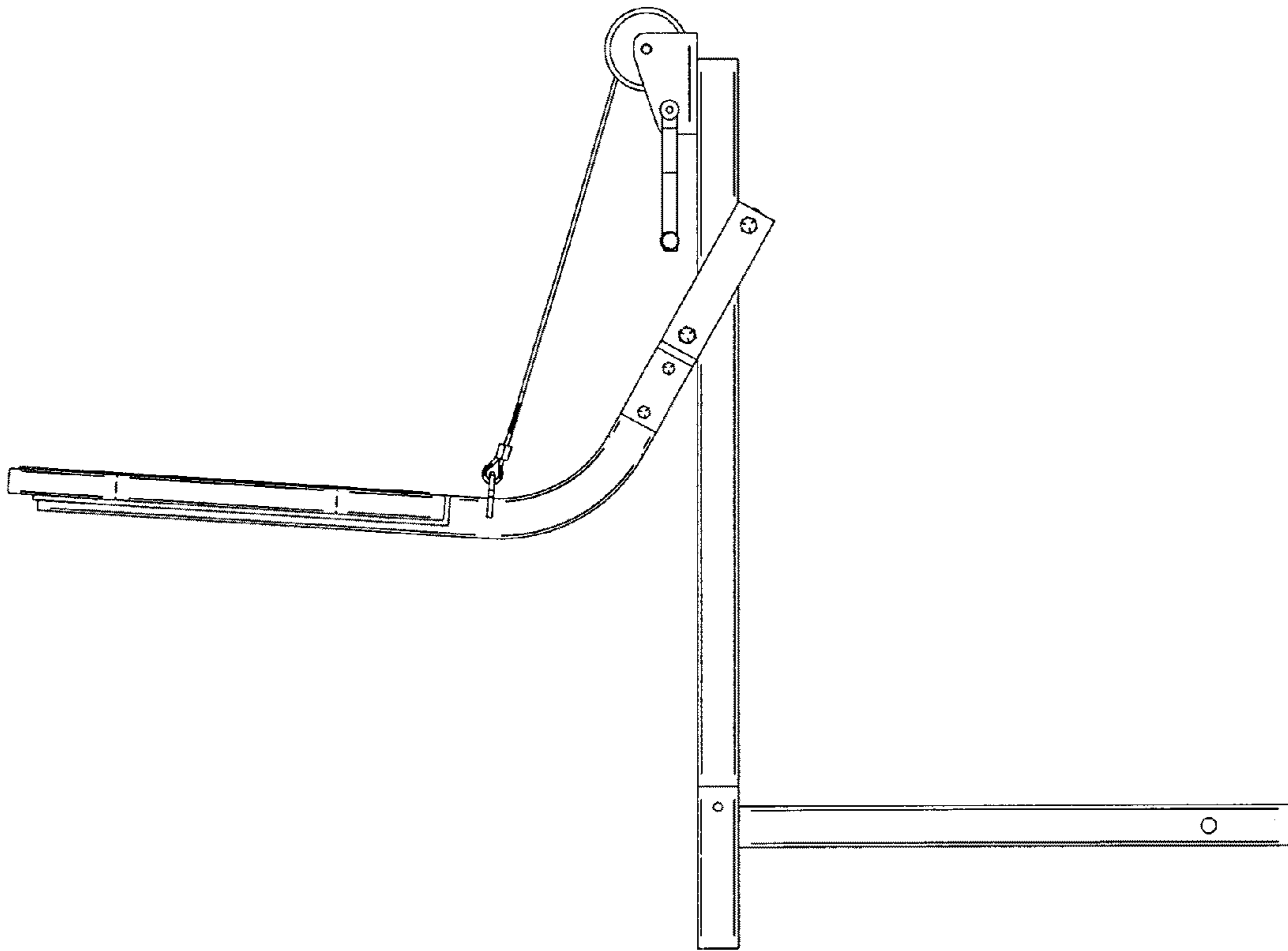
*FIG. 2*



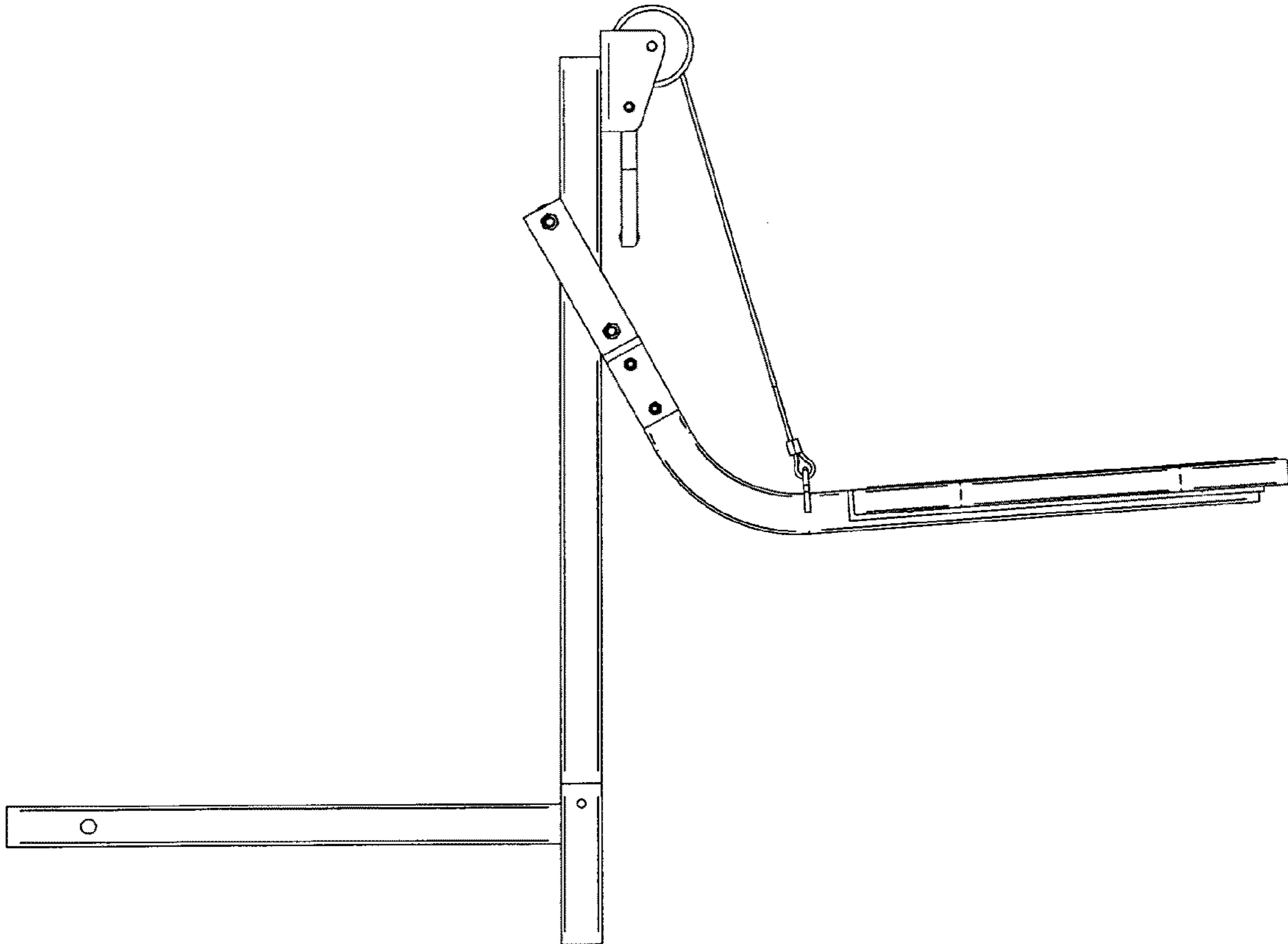
*FIG. 3*



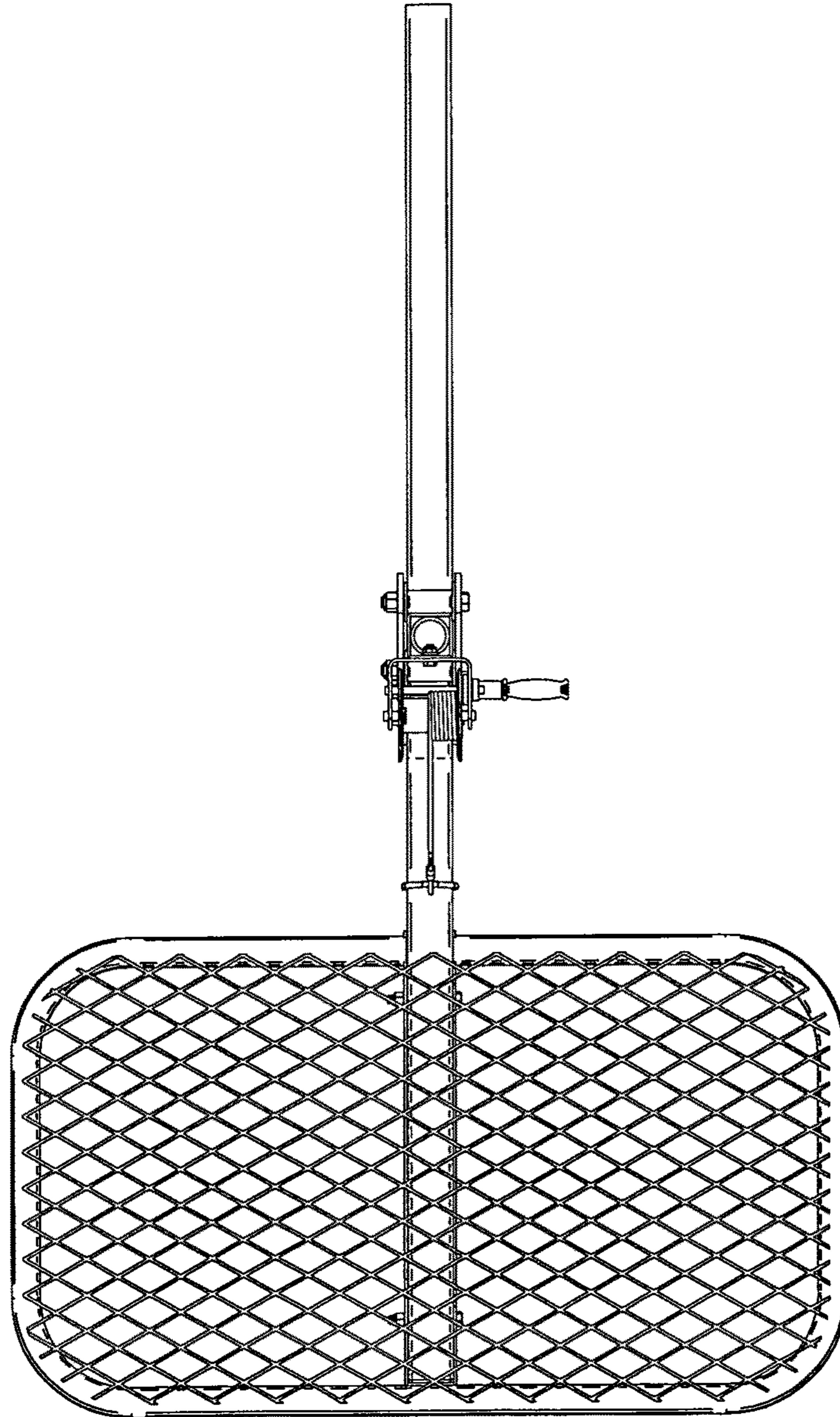
*FIG. 4*



*FIG. 5*

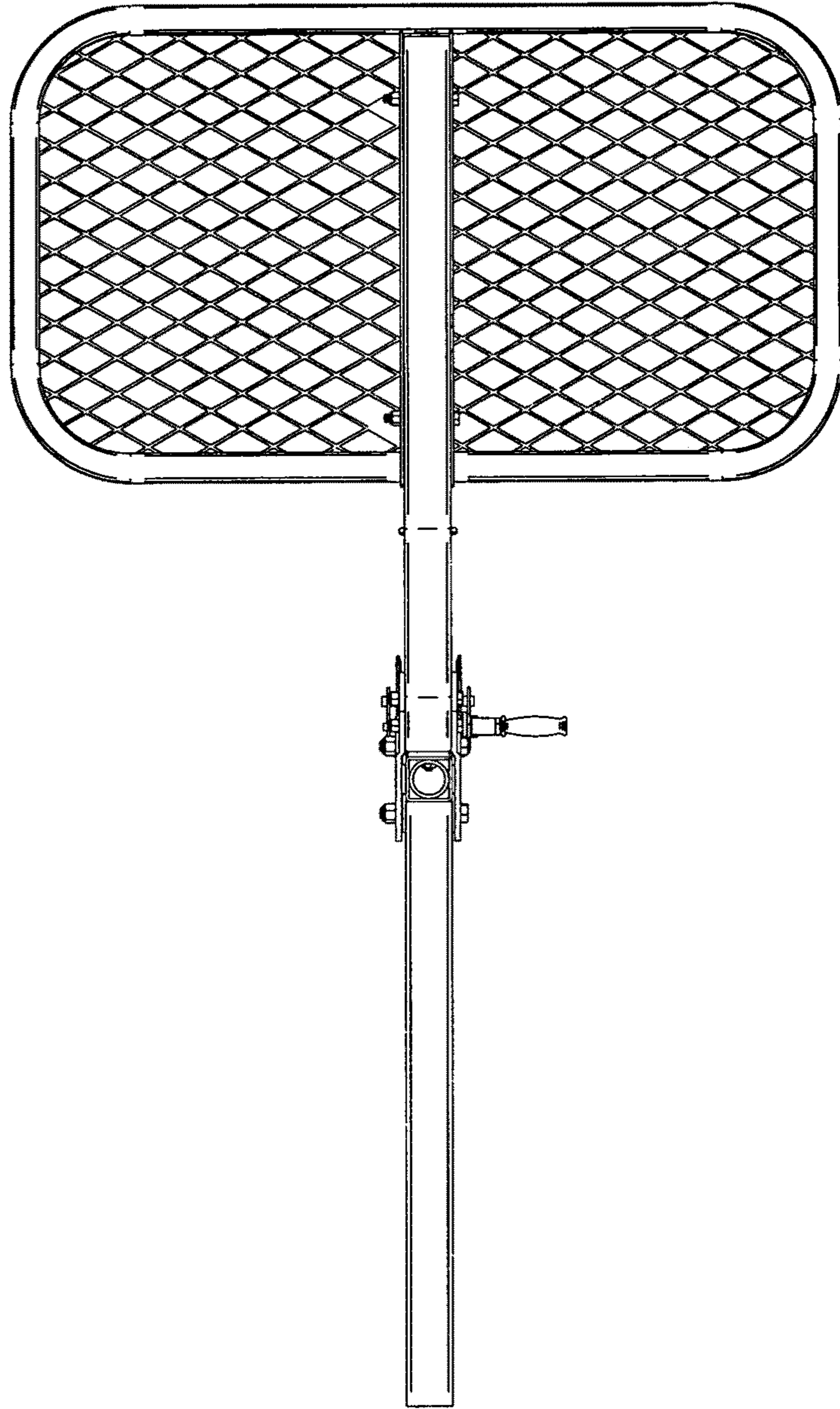


*FIG. 6*

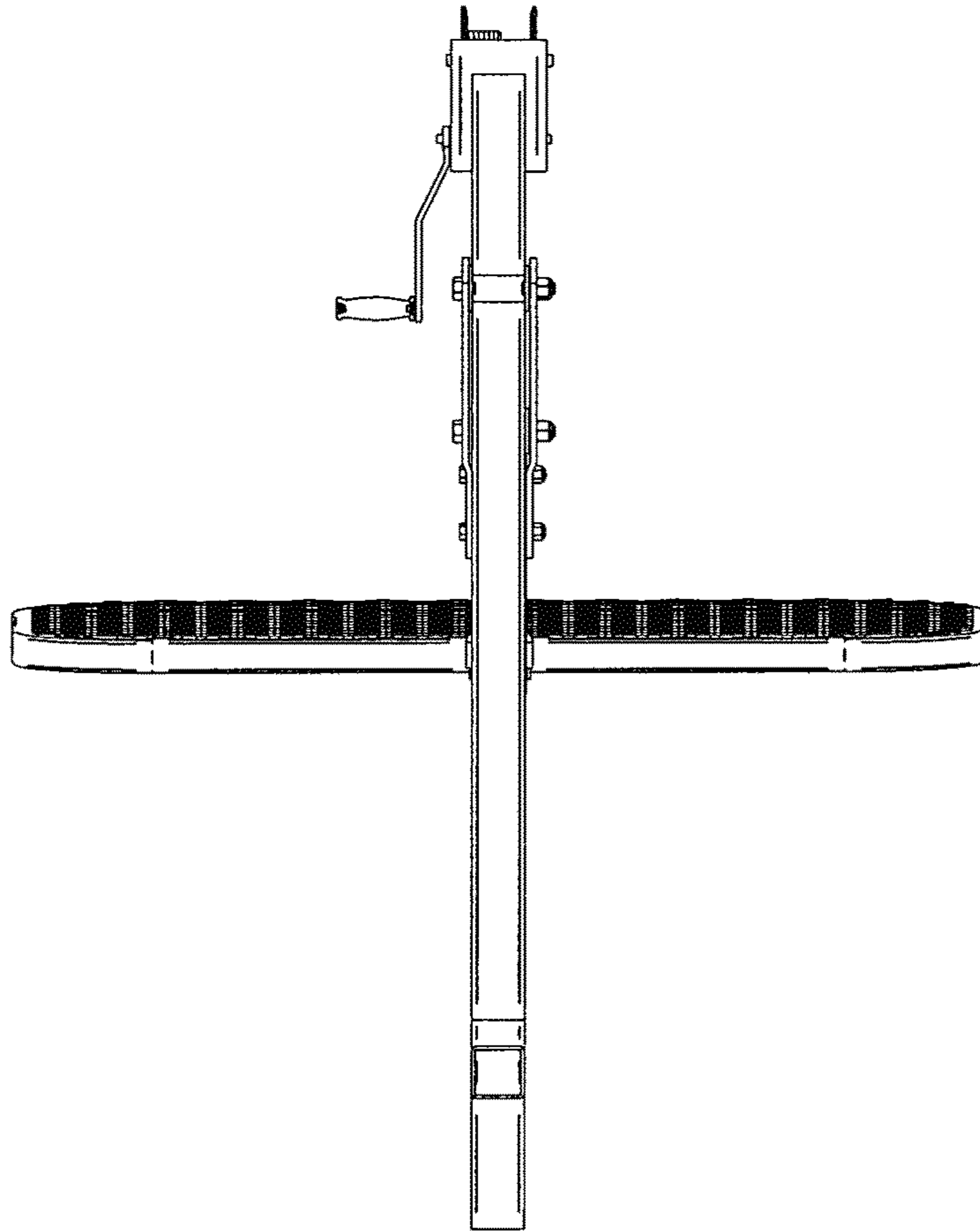


*FIG. 7*





*FIG. 8*



*FIG. 9*