



US00D744380S

(12) **United States Design Patent**  
**Cheng**

(10) **Patent No.:** **US D744,380 S**

(45) **Date of Patent:** **\*\* Dec. 1, 2015**

(54) **ELECTRIC SCOOTER**

(56) **References Cited**

U.S. PATENT DOCUMENTS

- (71) Applicant: **Merits Health Products Co., Ltd,**  
Taichung (TW)
- (72) Inventor: **Ming-Chuan Cheng,** Taichung (TW)
- (73) Assignee: **MERITS HEALTH PRODUCTS CO.,**  
**LTD.,** Taichung (TW)

D287,836	S	*	1/1987	Chan et al. ....	D12/131
D356,530	S	*	3/1995	Bee et al. ....	D12/131
D404,693	S	*	1/1999	Schaffner .....	D12/131
6,152,478	A	*	11/2000	Hung .....	280/650
D462,639	S	*	9/2002	Lin .....	D12/131
6,938,923	B2	*	9/2005	Mulhern et al. ....	280/755
7,040,429	B2	*	5/2006	Molnar .....	180/65.1
D569,769	S	*	5/2008	Chiu et al. ....	D12/131
7,370,876	B2	*	5/2008	Hsu et al. ....	280/650
D590,304	S	*	4/2009	Kruse .....	D12/131

\* cited by examiner

(\*\*) Term: **14 Years**

*Primary Examiner* — Susan Bennett Hattan

(21) Appl. No.: **29/483,295**

*Assistant Examiner* — Charles Hanson

(22) Filed: **Feb. 27, 2014**

(74) *Attorney, Agent, or Firm* — Muncy, Geissler, Olds & Lowe, P.C.

(30) **Foreign Application Priority Data**

(57) **CLAIM**

The ornamental design for an electric scooter, as shown and described.

Aug. 28, 2013 (TW) ..... 102130852

**DESCRIPTION**

(51) **LOC (10) Cl.** ..... **12-12**

FIG. 1 shows a perspective view of the present design.

(52) **U.S. Cl.**

FIG. 2 shows a front view of the present design.

USPC ..... **D12/128**

FIG. 3 shows a rear view of the present design.

(58) **Field of Classification Search**

FIG. 4 shows a left side view of the present design.

USPC ..... D12/128-133; 280/62, 647-650, 29,  
280/200, 47.38, 250.1, 259, 642, 658;  
296/65.03, 65.04; 224/409

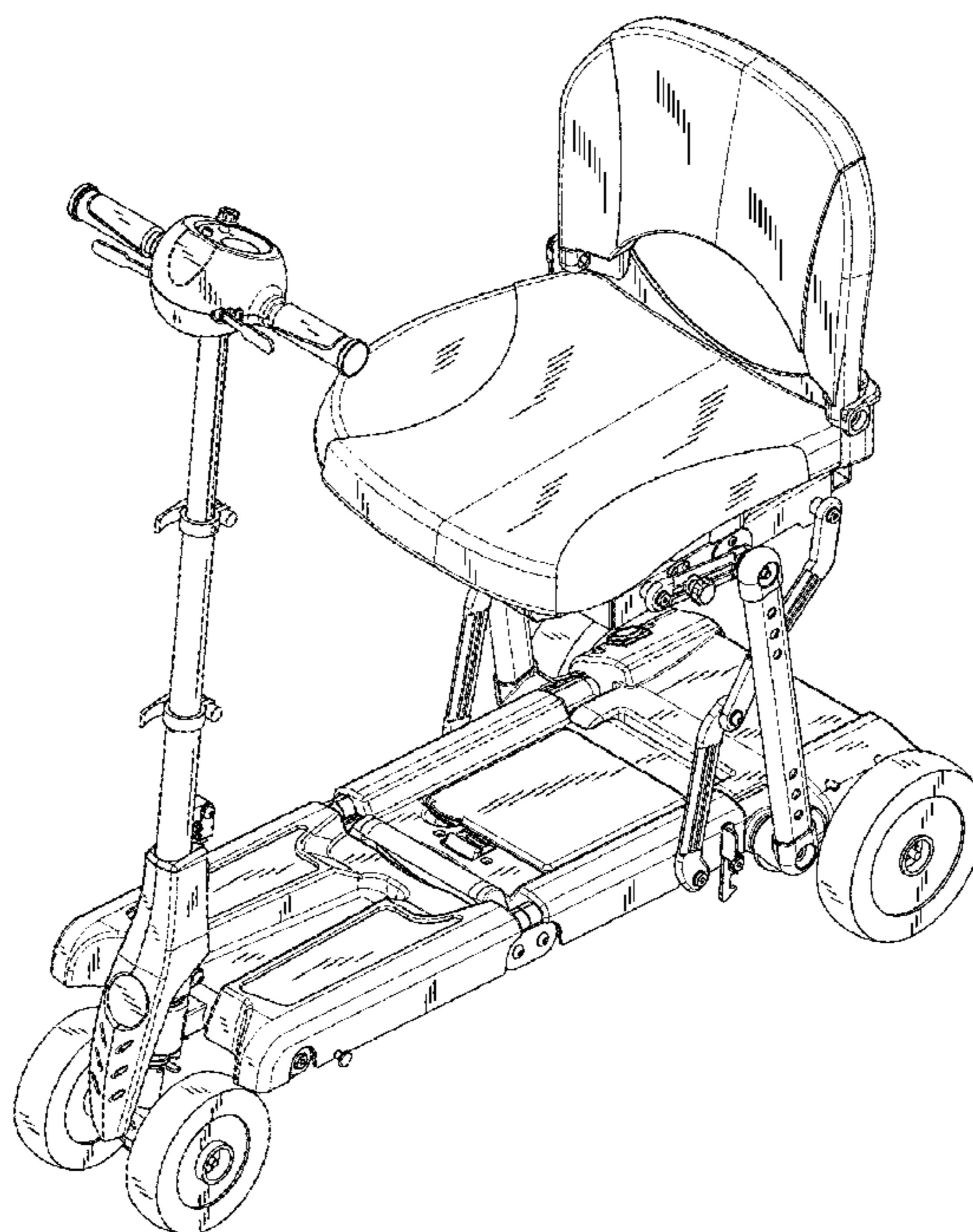
FIG. 5 shows a right side view of the present design; and,  
FIG. 6 shows a top view of the present design.

CPC ..... A61G 5/04; A61G 5/041-5/047;  
A61G 2005/048

The broken line showing is for the purpose of illustrating portions of the electric scooter and forms no part of the claimed design.

See application file for complete search history.

**1 Claim, 6 Drawing Sheets**



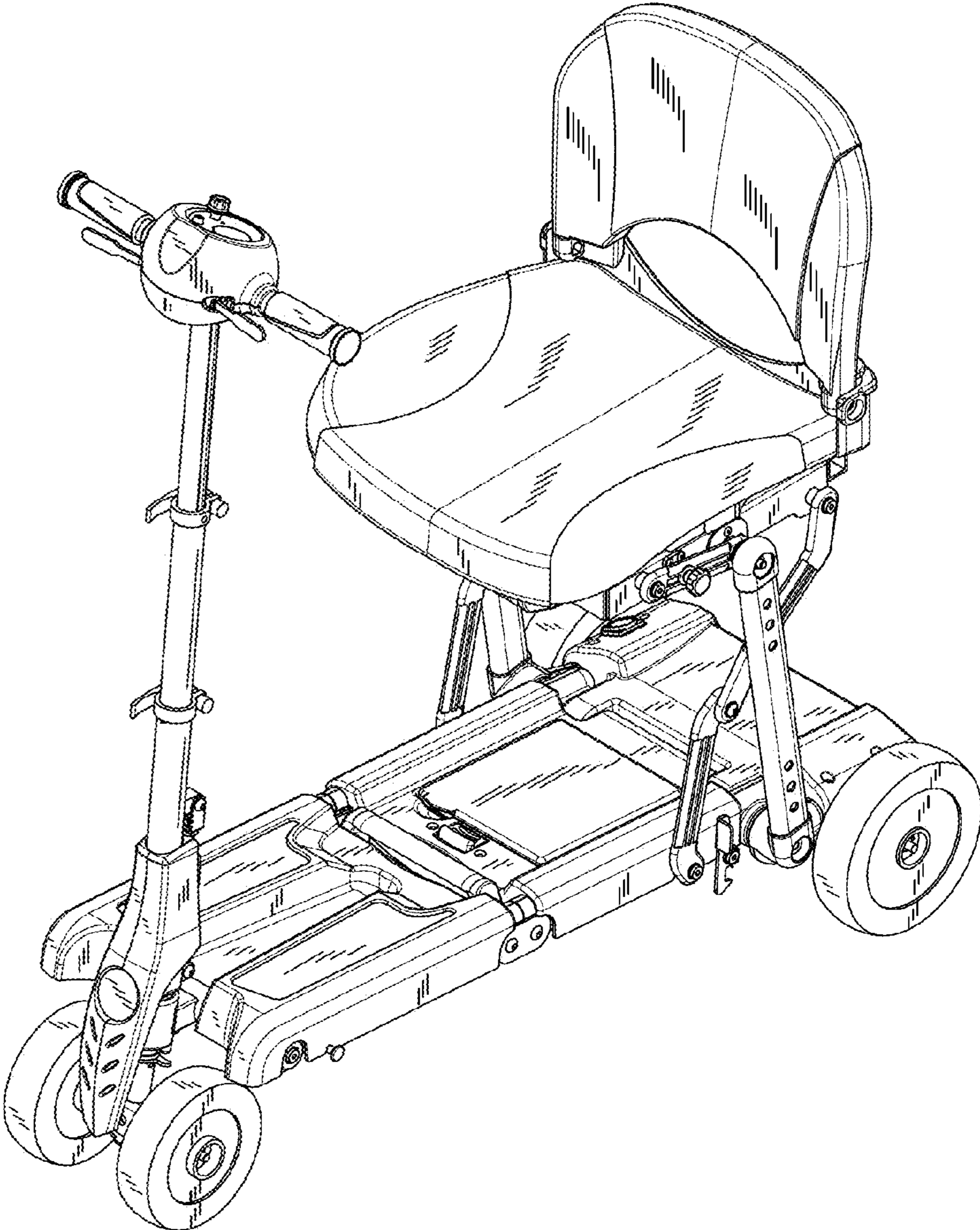


FIG. 1

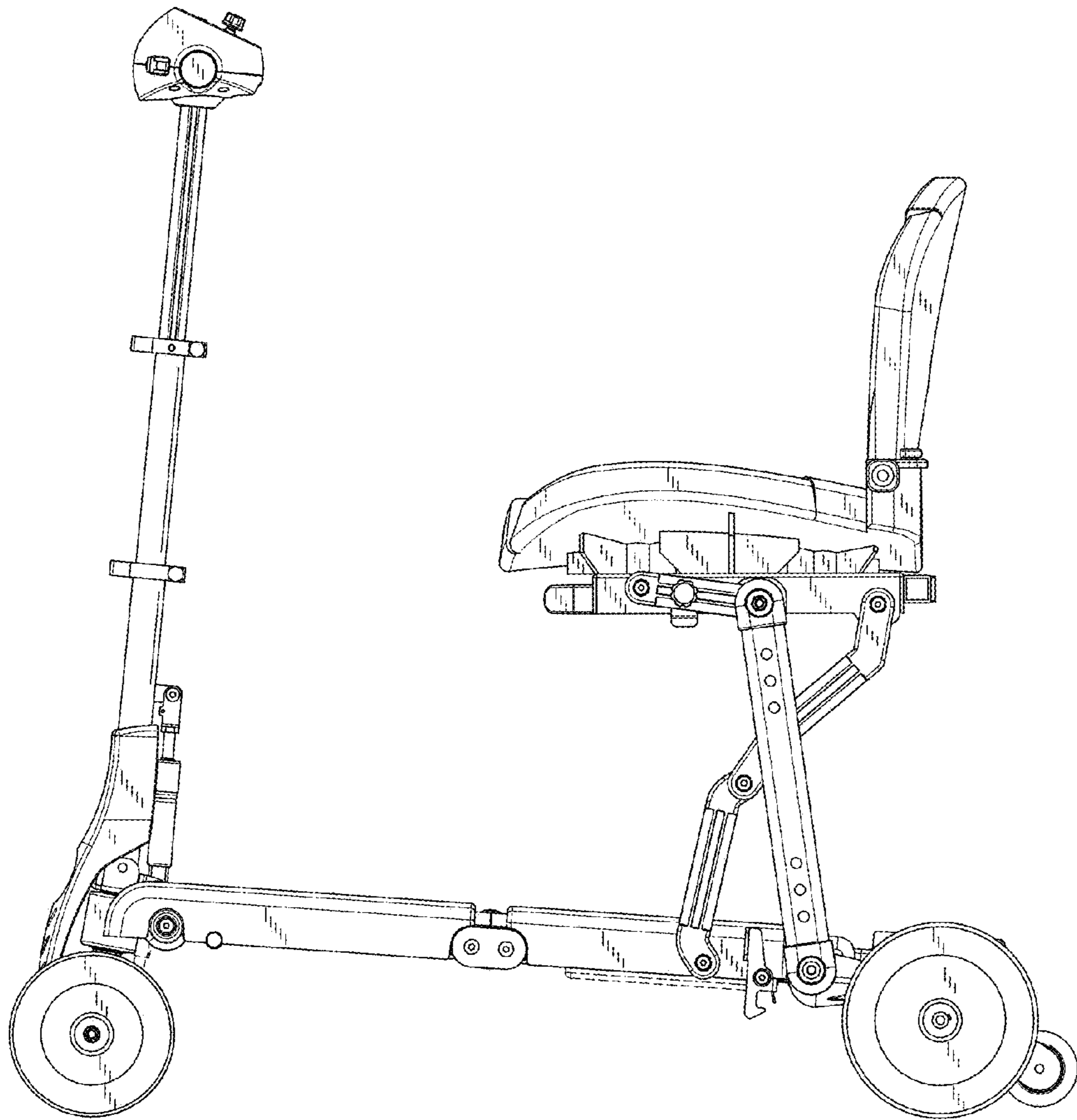


FIG. 2

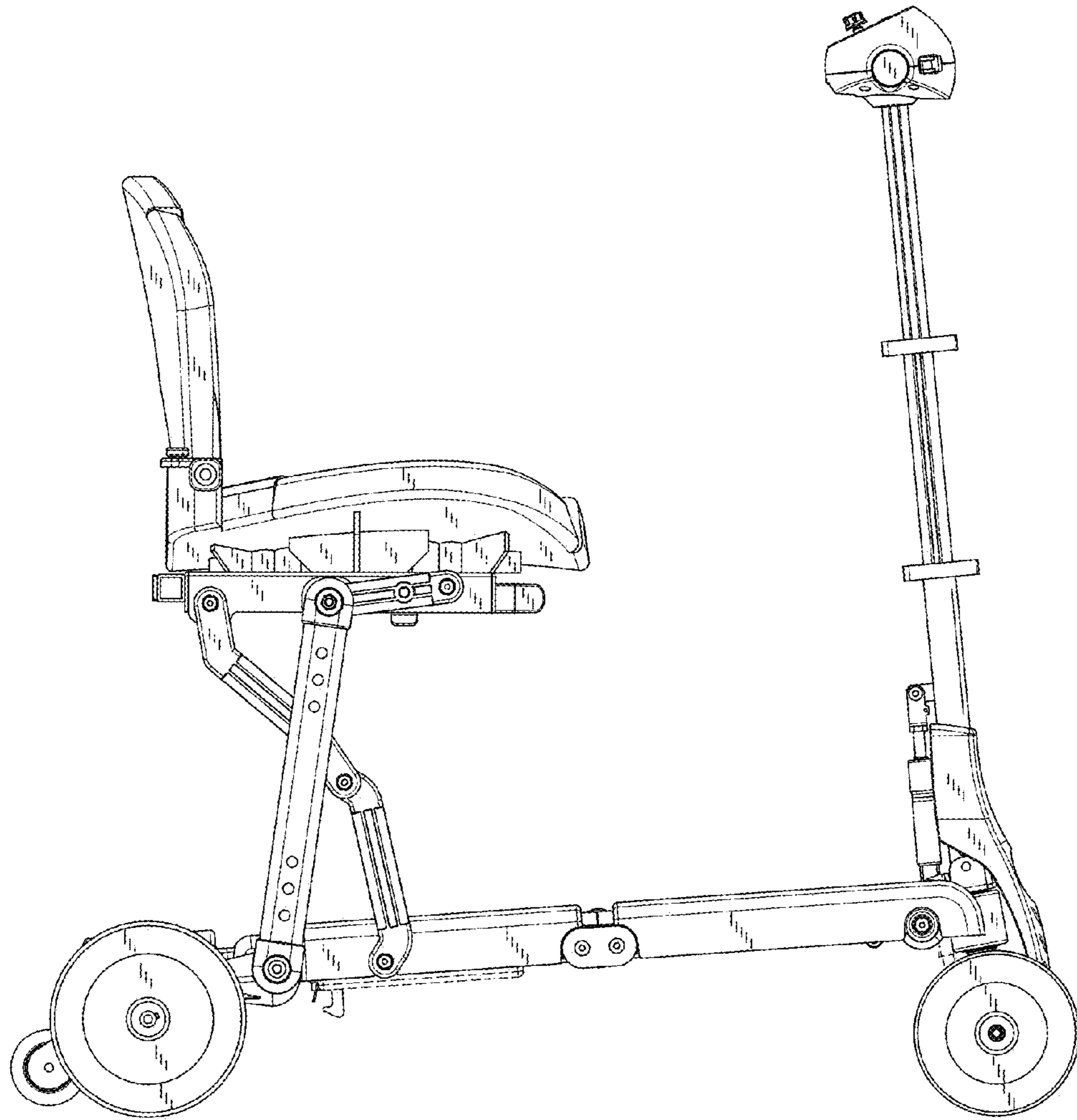


FIG. 3

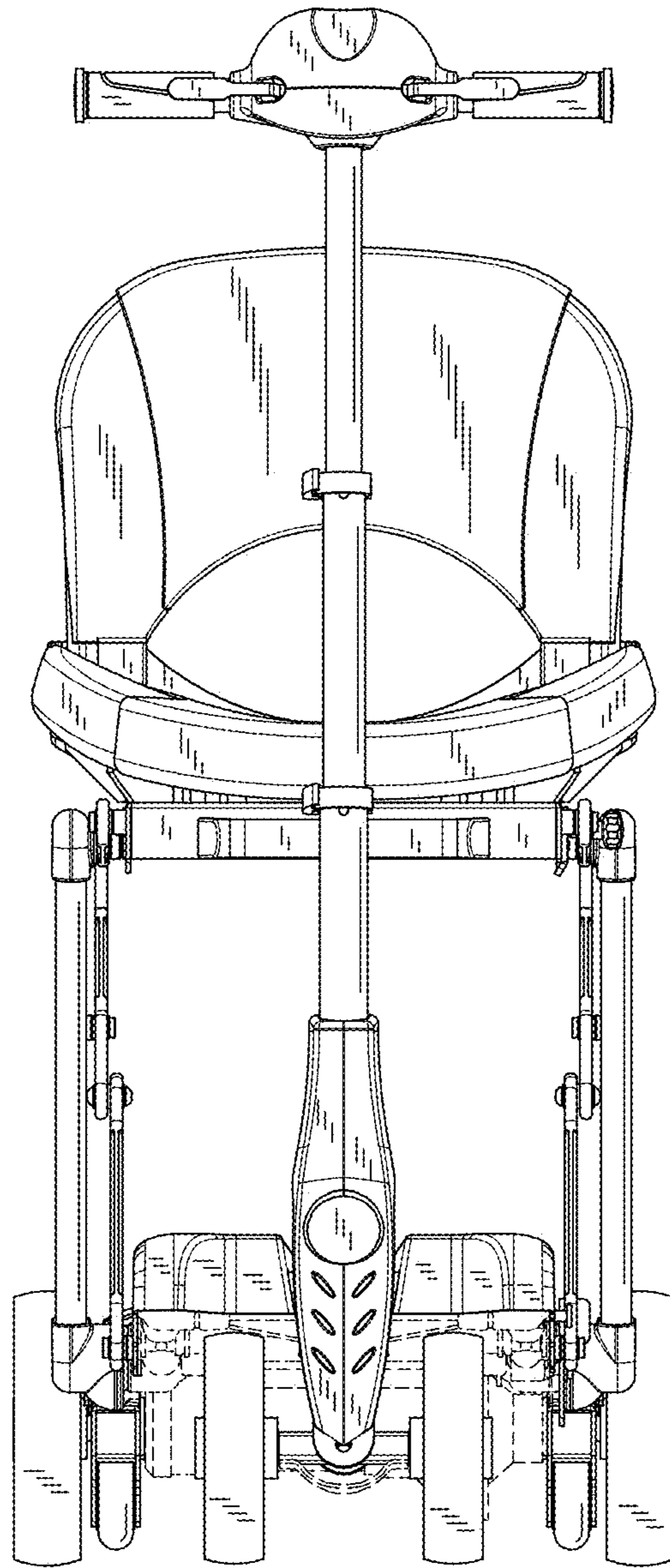


FIG. 4

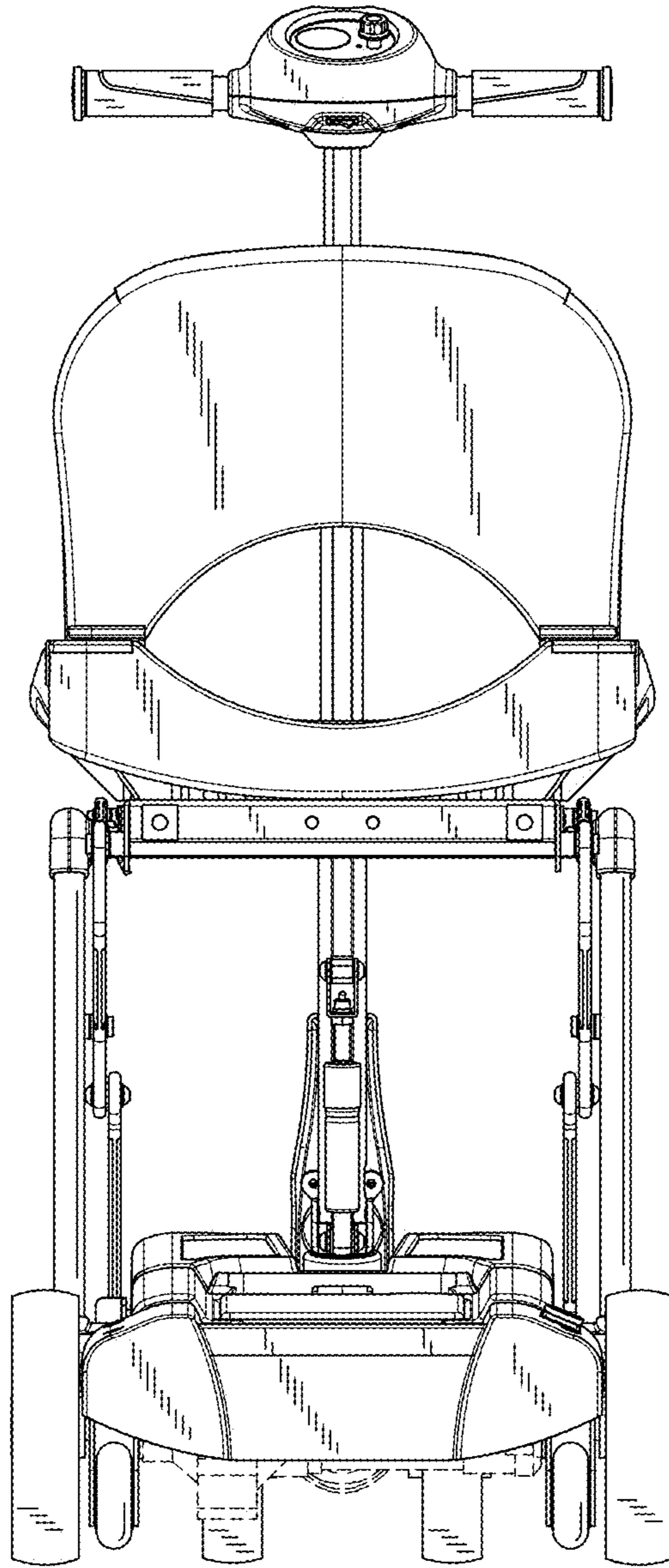


FIG. 5

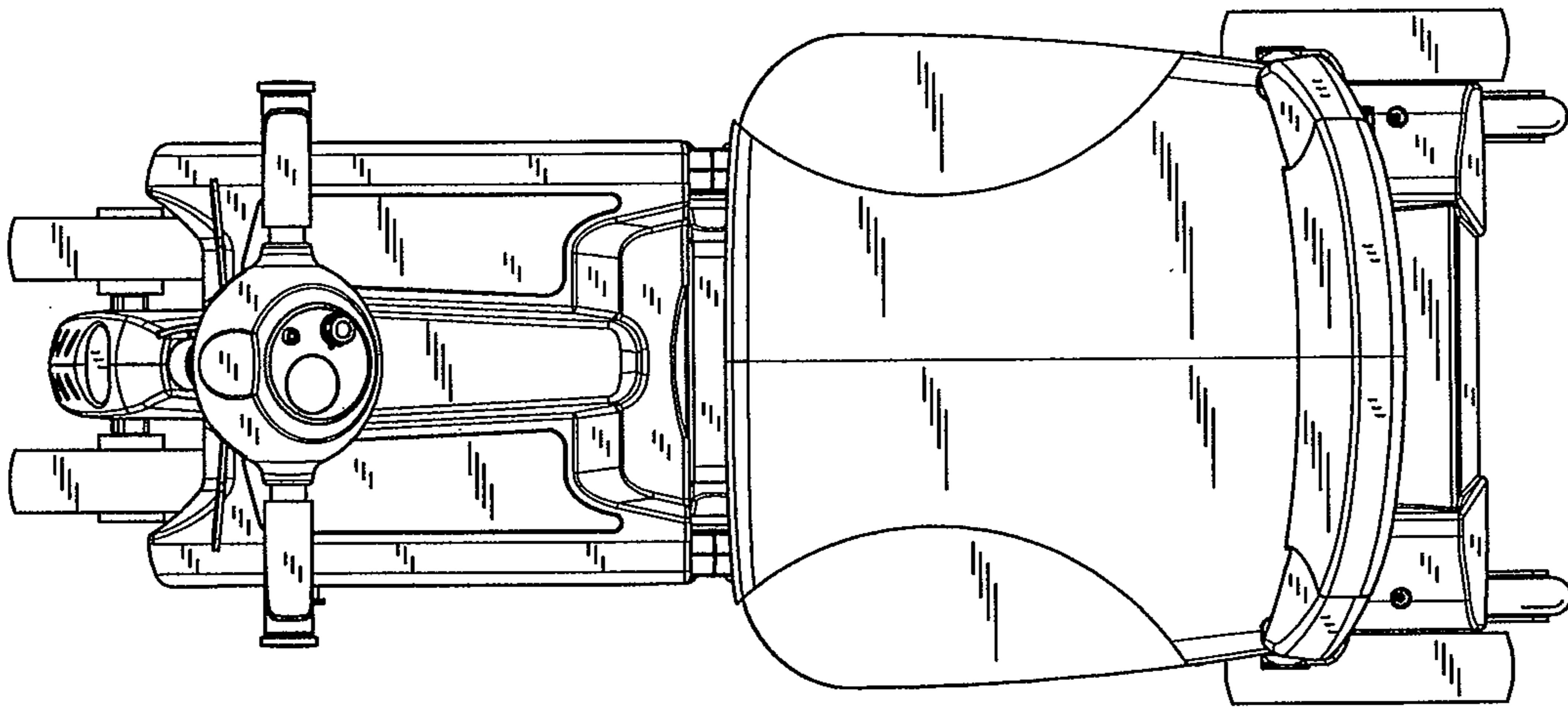


FIG. 6