



US00D744378S

(12) **United States Design Patent**
Bell

(10) **Patent No.:** **US D744,378 S**
(45) **Date of Patent:** **** Dec. 1, 2015**

(54) **COVER**

(71) Applicant: **Norman Brett Bell**, Mount Barker (AU)

(72) Inventor: **Norman Brett Bell**, Mount Barker (AU)

(**) Term: **14 Years**

(21) Appl. No.: **29/481,013**

(22) Filed: **Jan. 31, 2014**

(30) **Foreign Application Priority Data**

Jul. 31, 2013 (AU) 13675/2013

(51) **LOC (10) Cl.** **12-10**

(52) **U.S. Cl.**
USPC **D12/106**

(58) **Field of Classification Search**
USPC D6/601, 610, 611; D12/102-106, 167,
D12/204, 212, 213, 401-405, 415-417
CPC B60J 11/00; B60J 11/04; B60J 11/06;
B60J 11/025; B60R 19/42
See application file for complete search history.

(56) **References Cited**

U.S. PATENT DOCUMENTS

2,679,254 A * 5/1954 Green 135/88.05
3,013,836 A * 12/1961 Groh 296/170
D224,782 S * 9/1972 Kerr D12/401
3,721,467 A * 3/1973 Kerr 296/182.1

D296,312 S * 6/1988 Arnold D12/106
D367,248 S * 2/1996 Christensen D12/102
5,791,361 A * 8/1998 Chong 135/88.01
6,263,648 B1 * 7/2001 Carlson 56/1
6,328,083 B1 * 12/2001 Esterson et al. 150/154
D466,752 S * 12/2002 Rowe et al. D6/610
D476,518 S * 7/2003 Doppelt D6/610
7,467,784 B2 * 12/2008 Turner 254/394
D626,891 S * 11/2010 Smith D12/102
7,866,358 B1 * 1/2011 Simms, II 150/165

* cited by examiner

Primary Examiner — Elizabeth Albert

(74) *Attorney, Agent, or Firm* — Harness, Dickey & Pierce, P.L.C.

(57) **CLAIM**

The ornamental design for a cover, as shown and described.

DESCRIPTION

FIG. 1 is a front perspective view of a cover showing my new design;

FIG. 2 is a rear perspective view of the design;

FIG. 3 is a side view of the design;

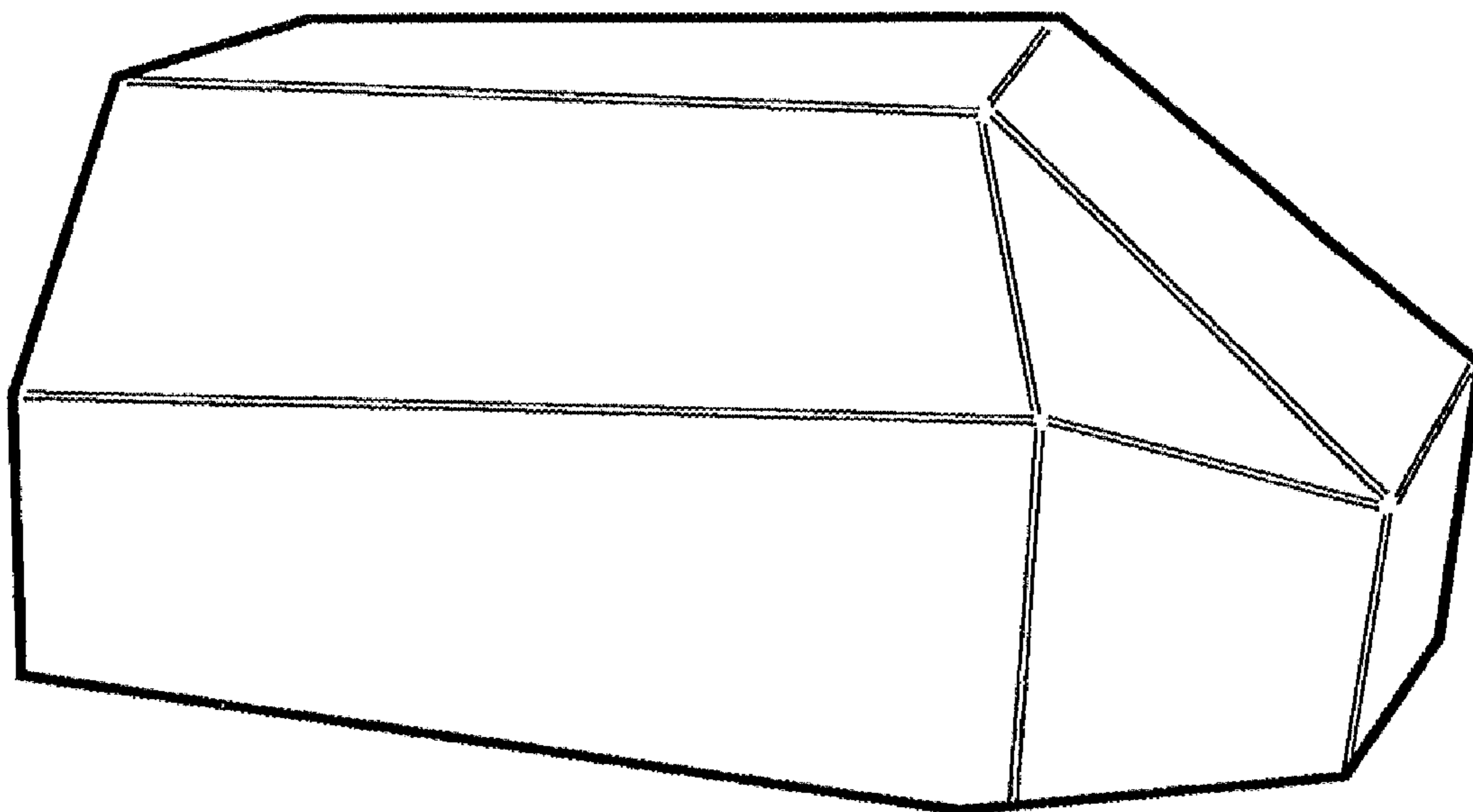
FIG. 4 is a plan view of the design;

FIG. 5 is a front view of the design; and,

FIG. 6 is a rear view of the design.

The broken lines showing the inside in FIG. 6 are included for the purpose of showing a portion of the cover that forms no part of the claimed design.

1 Claim, 3 Drawing Sheets



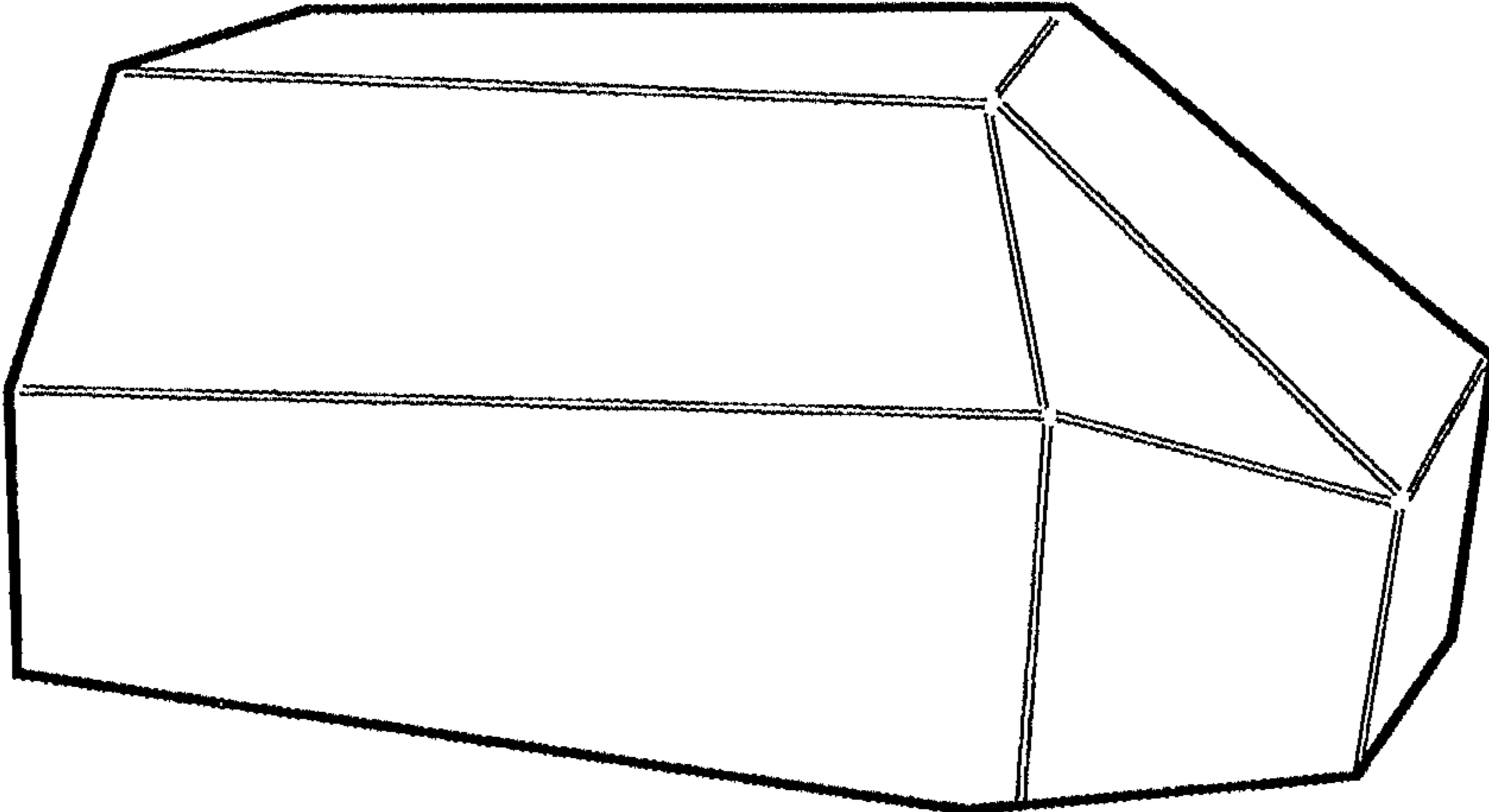


FIG. 1

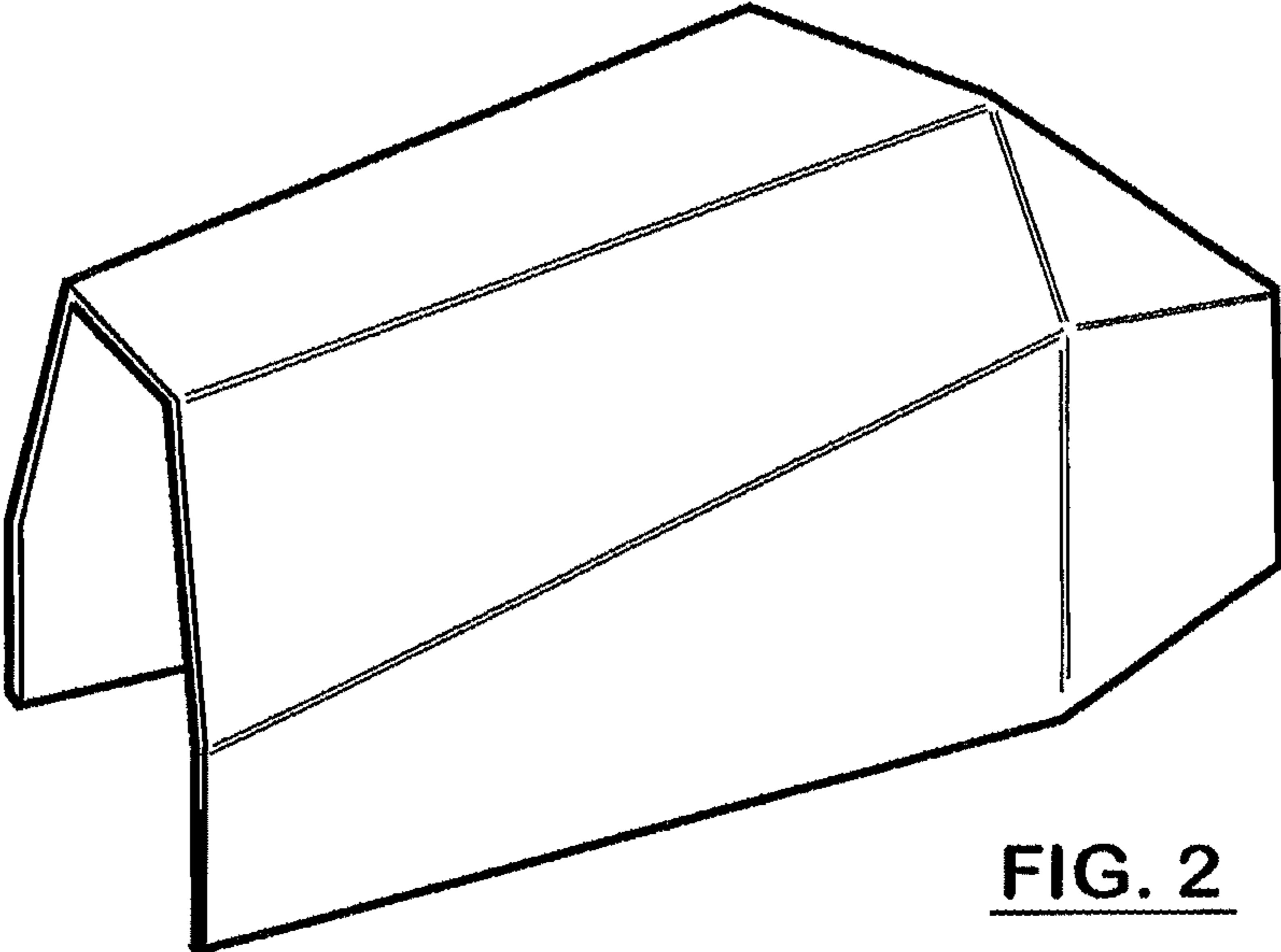


FIG. 2

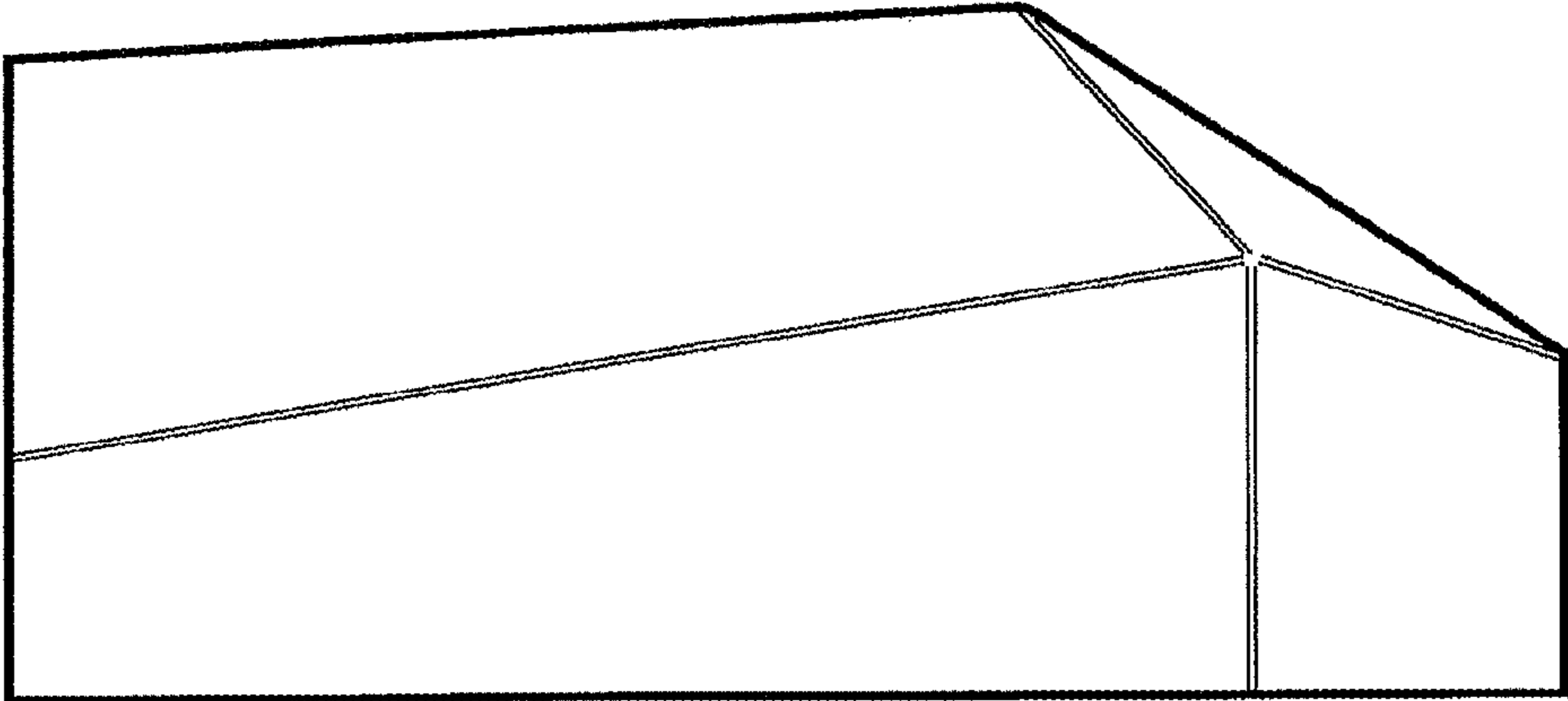


FIG. 3

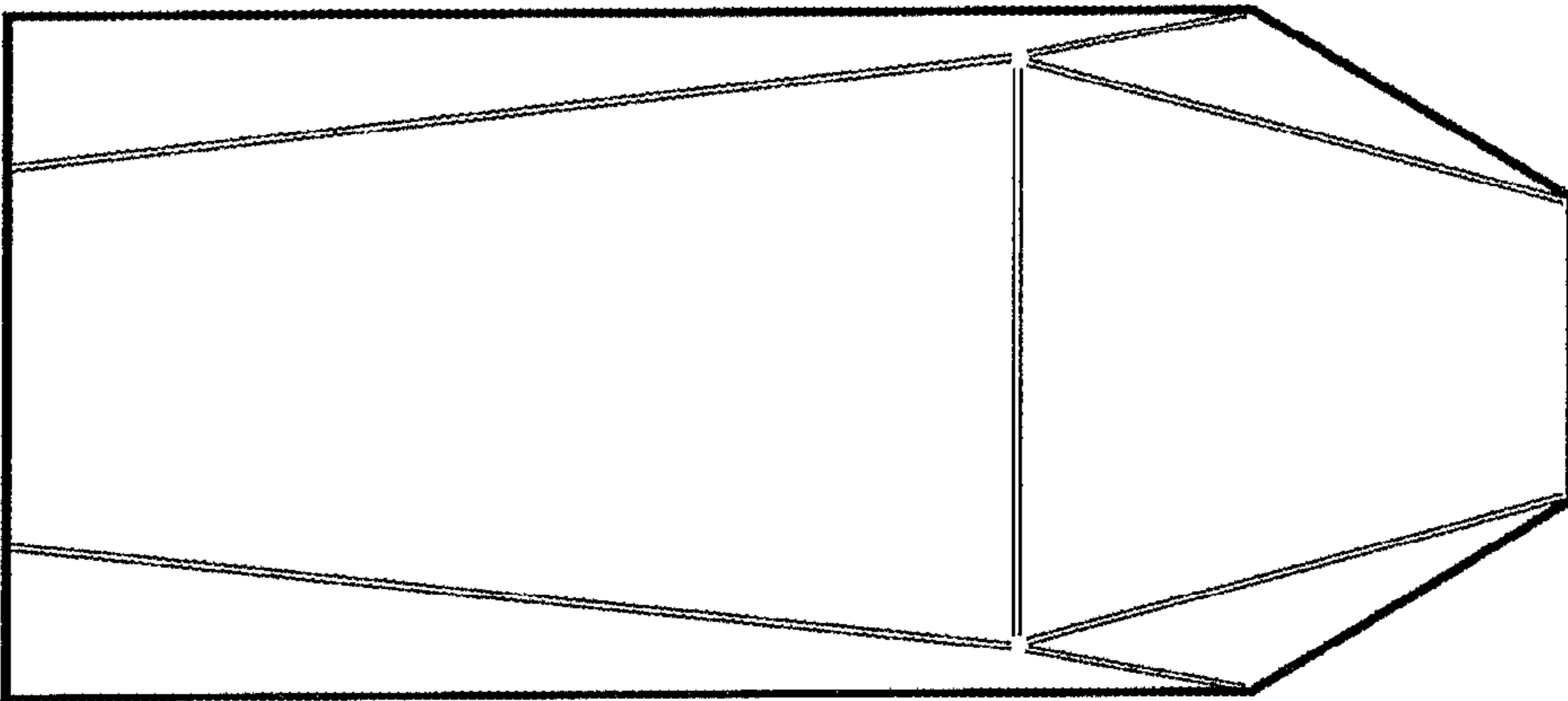


FIG. 4

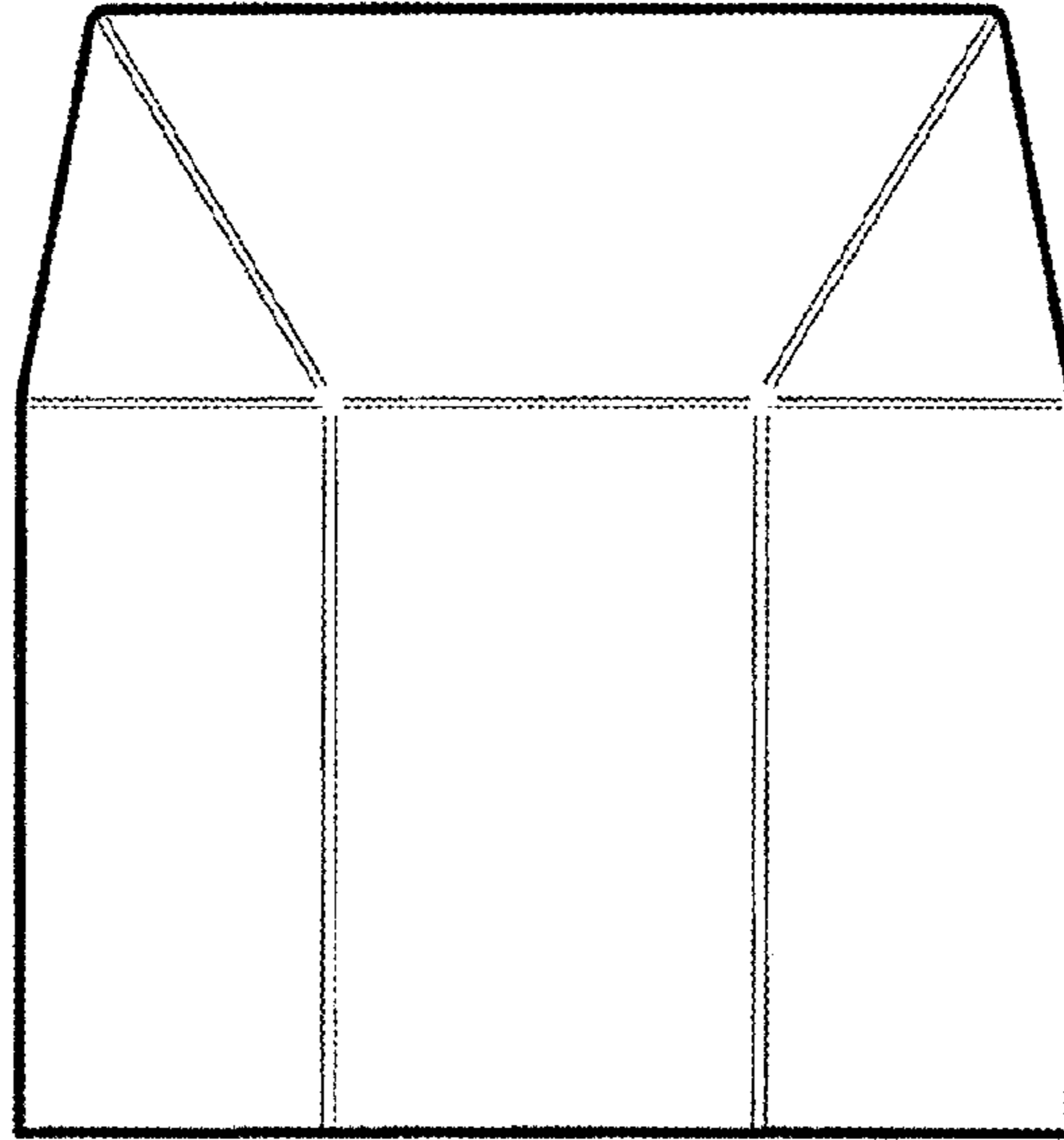


FIG. 5

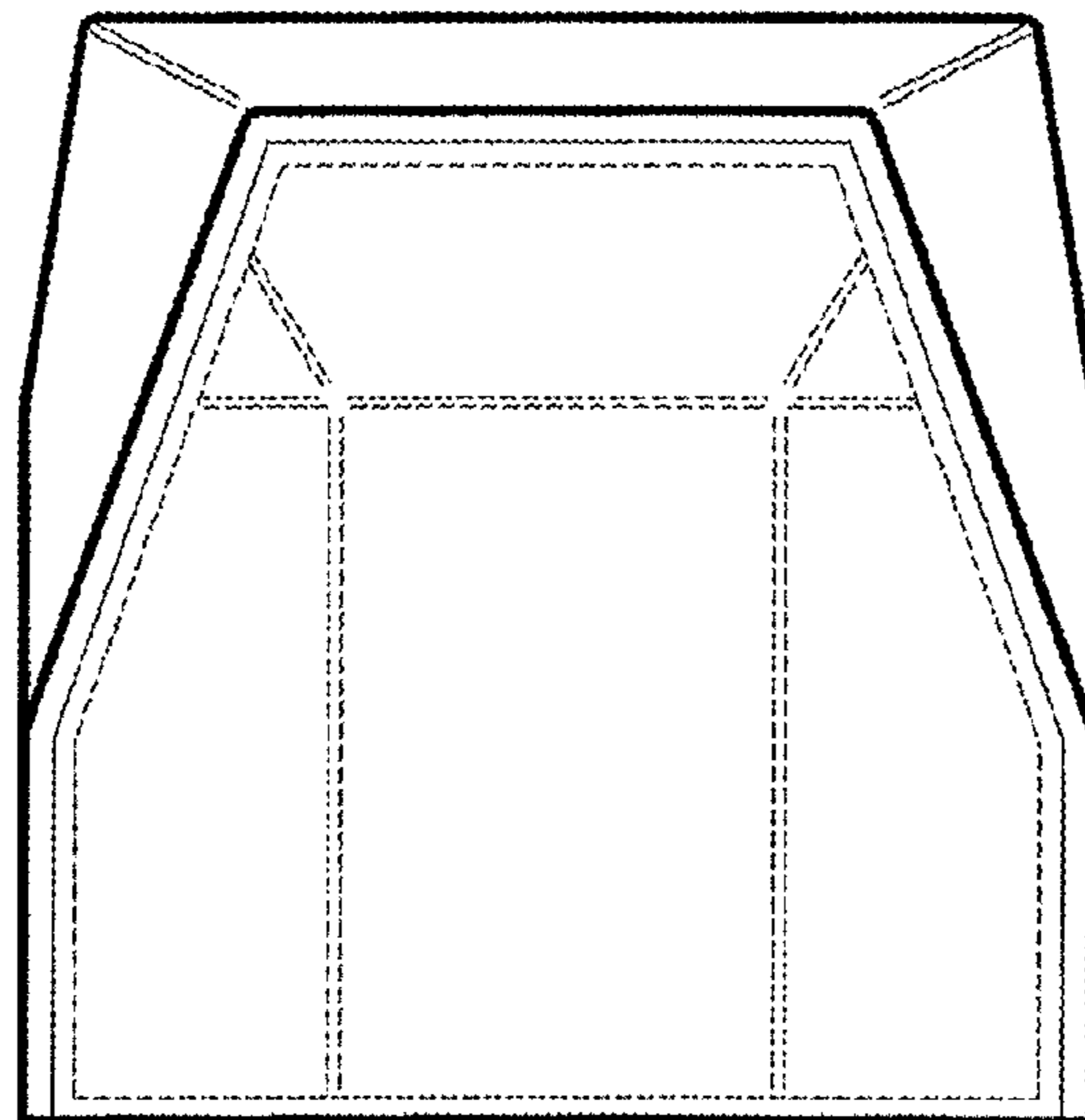


FIG. 6