



US00D744374S

(12) **United States Design Patent**
Dingel

(10) **Patent No.:** **US D744,374 S**

(45) **Date of Patent:** **** Dec. 1, 2015**

(54) **BUCKLE BUMPER COVER**

D585,331 S * 1/2009 Kumazaki et al. D11/216
D649,492 S * 11/2011 Grimm et al. D11/216
D651,122 S * 12/2011 Vincent et al. D11/216

(71) Applicant: **Bryan Dingel**, Boise, ID (US)

* cited by examiner

(72) Inventor: **Bryan Dingel**, Boise, ID (US)

Primary Examiner — Ralf Seifert

(73) Assignee: **Northwest River Supplies, Inc.**,
Moscow, ID (US)

(74) *Attorney, Agent, or Firm* — Duncan Palmatier

(**) Term: **14 Years**

(57) **CLAIM**

The ornamental design for a buckle bumper cover, as shown and described.

(21) Appl. No.: **29/482,041**

DESCRIPTION

(22) Filed: **Feb. 13, 2014**

FIG. 1 is a bottom view of the buckle bumper cover design of the present invention.

(51) **LOC (10) Cl.** **11-02**

FIG. 2 is a rear view of the buckle bumper cover design of the present invention.

(52) **U.S. Cl.**
USPC **D11/216**

FIG. 3 is a top view of the buckle bumper cover design of the present invention.

(58) **Field of Classification Search**
USPC D11/1-2, 200-201, 206-210, 214-218;
24/163 R, 169-171, 173, 177-179, 191,
24/194-195, 197, 200, 614-616, 625, 198
CPC A44B 11/26
See application file for complete search history.

FIG. 4 is a front view of the buckle bumper cover design of the present invention

FIG. 5 is a side view of the buckle bumper cover design of the present invention; the opposite side being a minor image thereof;

(56) **References Cited**

U.S. PATENT DOCUMENTS

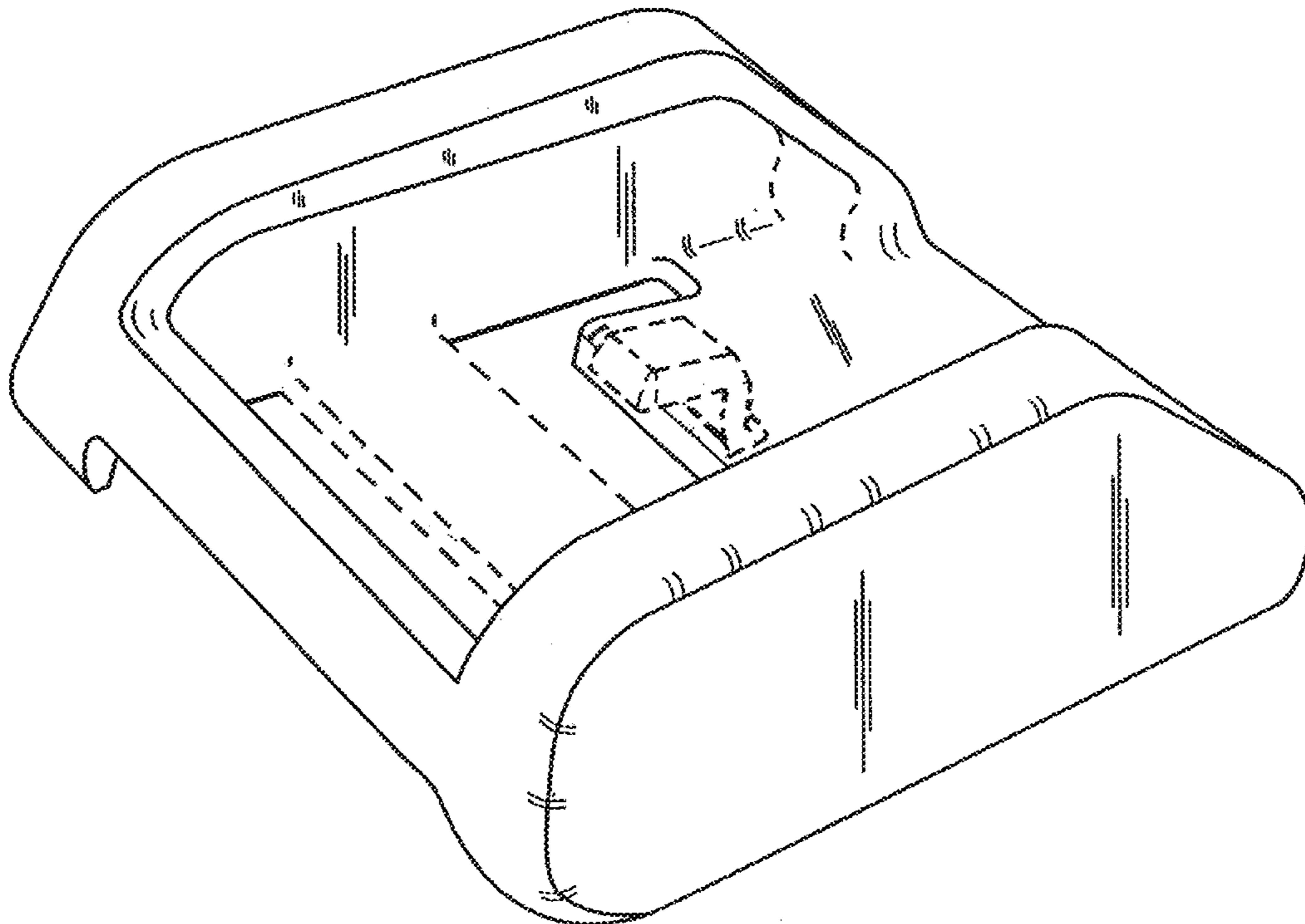
D274,861 S * 7/1984 Lindblad D11/216
D380,983 S * 7/1997 Lu D11/216
D393,606 S * 4/1998 Lin D11/216
6,401,310 B1 * 6/2002 Warner et al. 24/179
6,868,585 B2 * 3/2005 Anthony et al. 24/68 R

FIG. 6 is a front three-quarter perspective view of the buckle bumper cover of the present invention; and,

FIG. 7 is a front three-quarter perspective view of the buckle bumper cover of the present invention.

The broken lines are included for the purpose of illustrating portions of the buckle bumper cover that form no part of the claimed design.

1 Claim, 7 Drawing Sheets



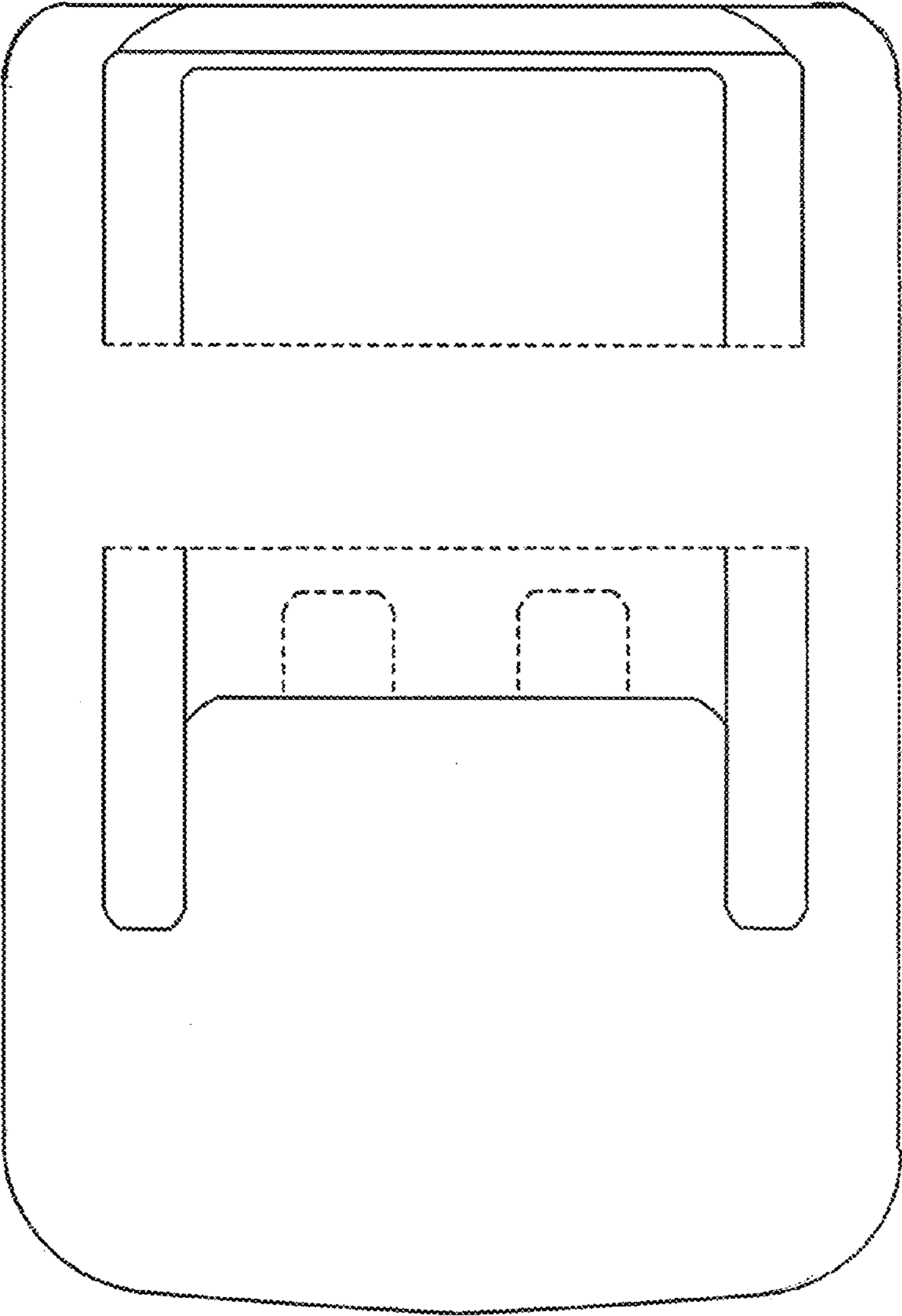


FIG. 1

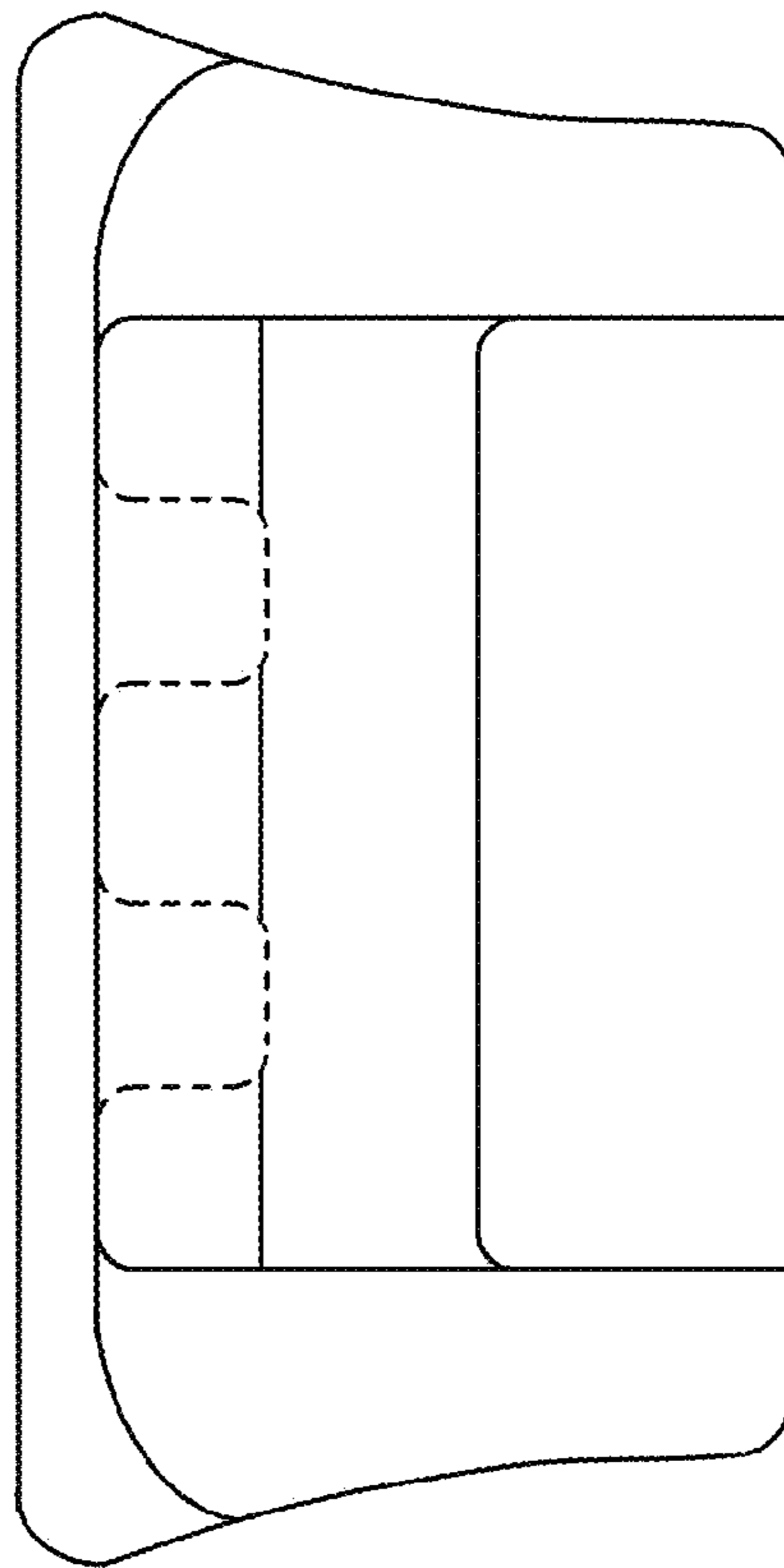


FIG. 2

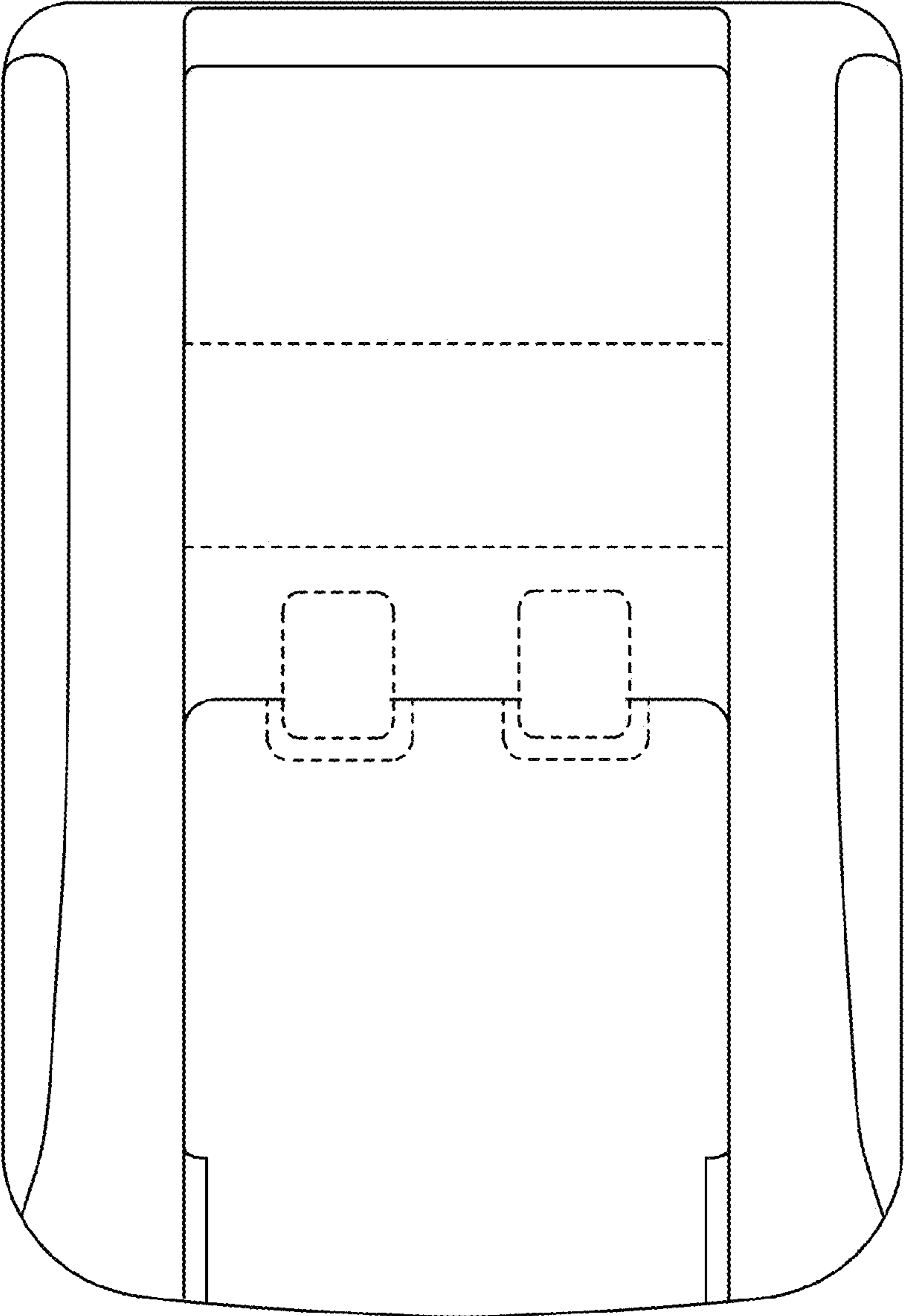


FIG. 3

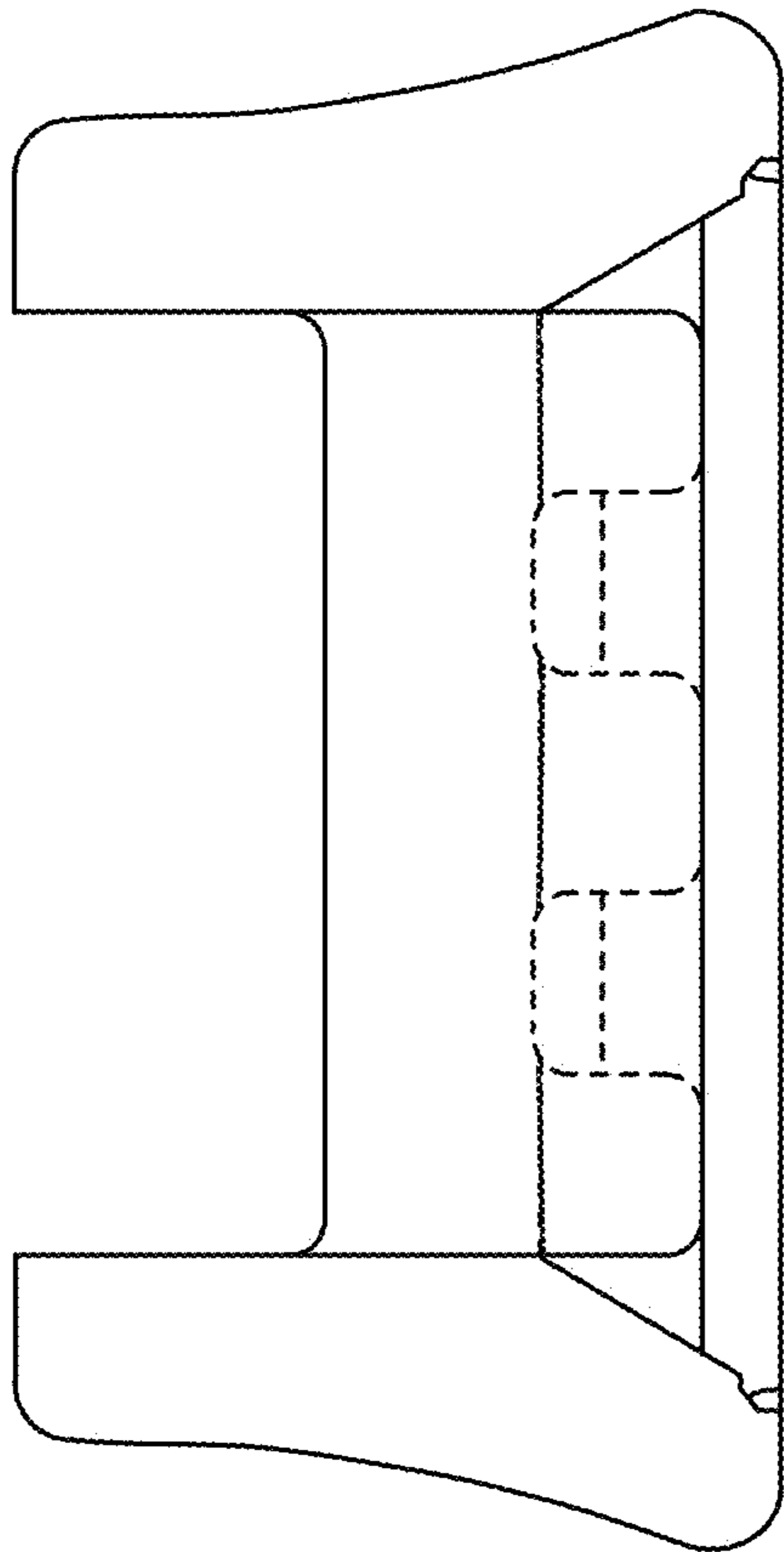


FIG. 4

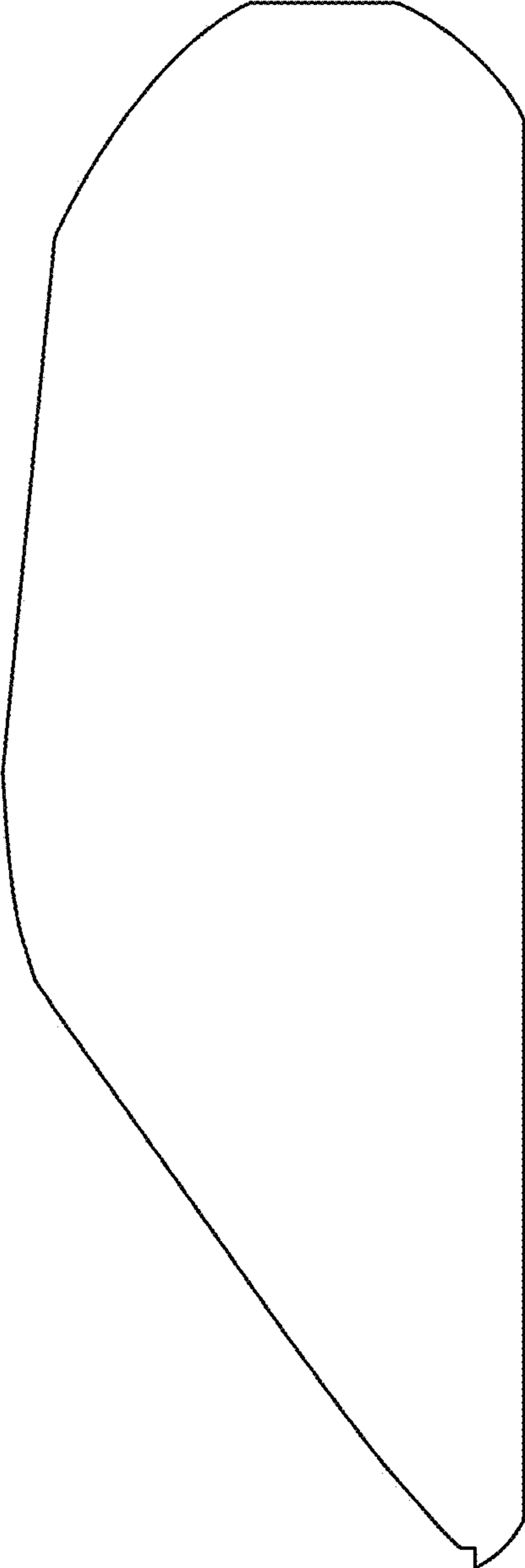


FIG. 5

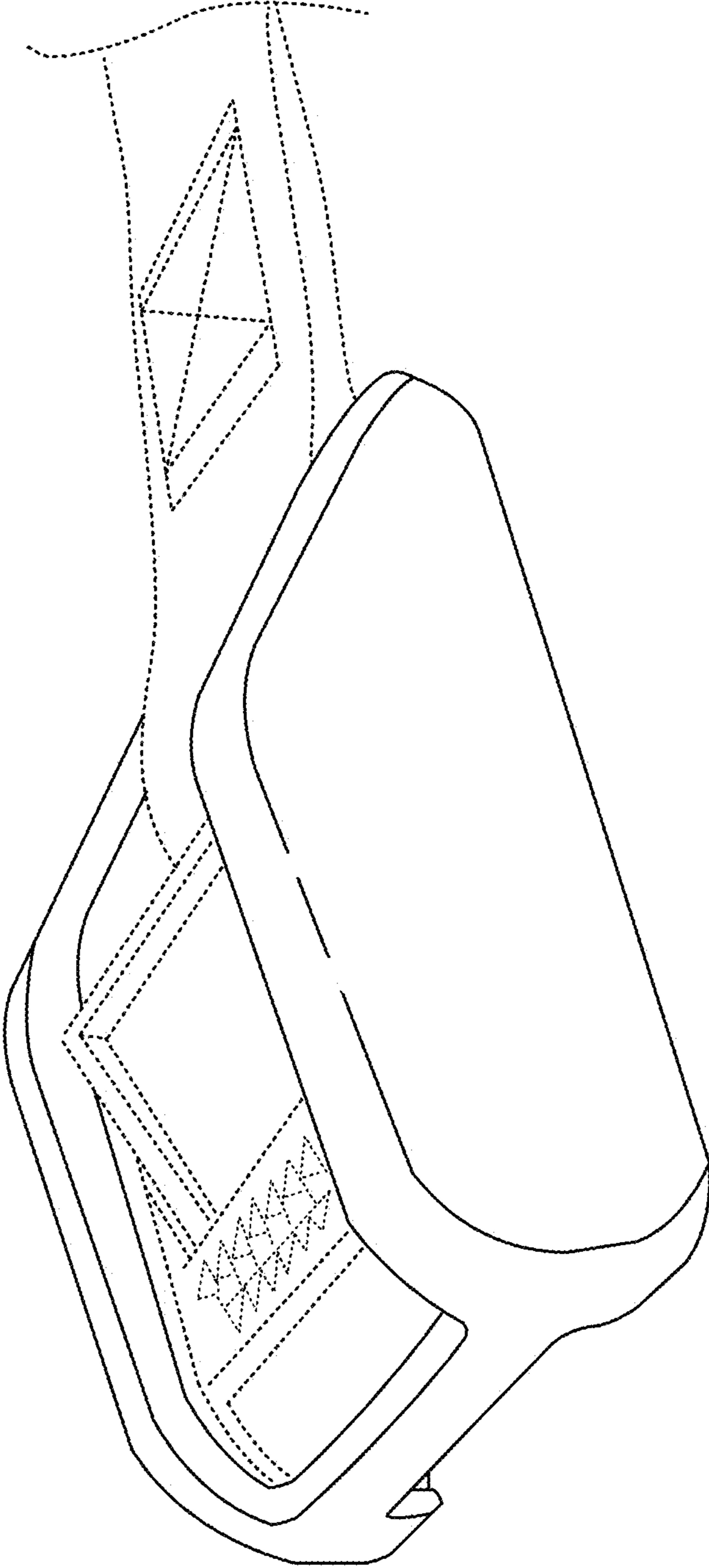


FIG. 6

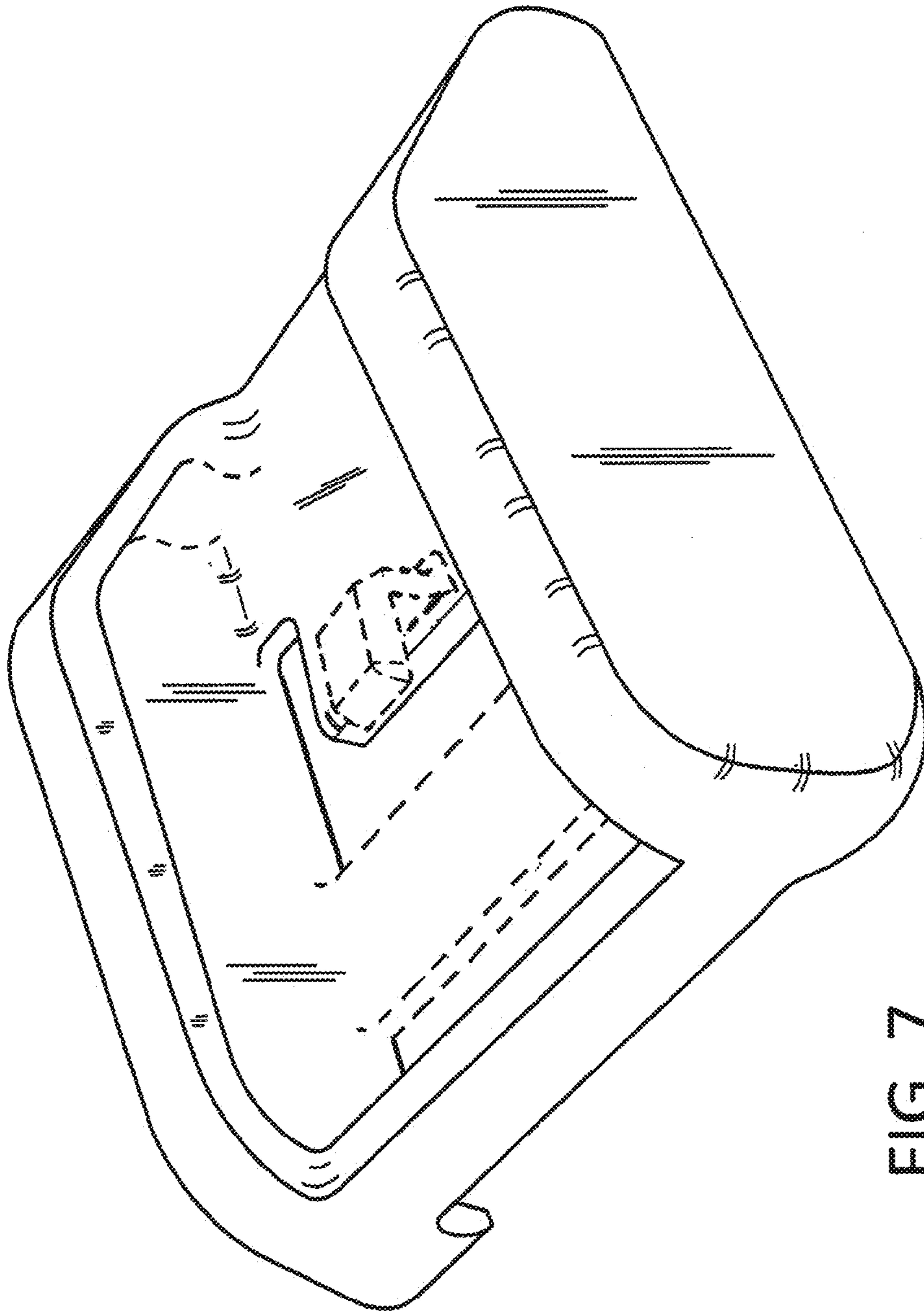


FIG. 7