



US00D744373S

(12) **United States Design Patent**  
**Badgett**

(10) **Patent No.:** **US D744,373 S**

(45) **Date of Patent:** **\*\* Dec. 1, 2015**

(54) **TRI-GLIDE ADJUSTABLE BUCKLE**

D263,260 S \* 3/1982 Heil ..... D11/210  
D671,447 S \* 11/2012 Nerison, Sr. .... D11/210  
D737,173 S \* 8/2015 Kelleghan ..... D11/201

(71) Applicant: **Robert J. Badgett**, Bryan, TX (US)

\* cited by examiner

(72) Inventor: **Robert J. Badgett**, Bryan, TX (US)

*Primary Examiner* — Ralf Seifert

(\*\*) Term: **14 Years**

(74) *Attorney, Agent, or Firm* — Douglas Baldwin

(21) Appl. No.: **29/518,401**

(22) Filed: **Feb. 23, 2015**

(51) **LOC (10) Cl.** ..... **02-07**

(52) **U.S. Cl.**  
USPC ..... **D11/210**

(58) **Field of Classification Search**

USPC ..... D11/1-2, 200-201, 206-210, 214-218;  
24/163 R, 169-171, 173, 177-179, 191,  
24/194-195, 197, 200, 614-616, 625, 198,  
24/578.11, 578.1, 163 K, 114  
CPC ..... A44B 11/26; A44B 11/25; A44B 11/06  
See application file for complete search history.

(57) **CLAIM**

The ornamental design for a tri-glide adjustable buckle, as shown and described.

**DESCRIPTION**

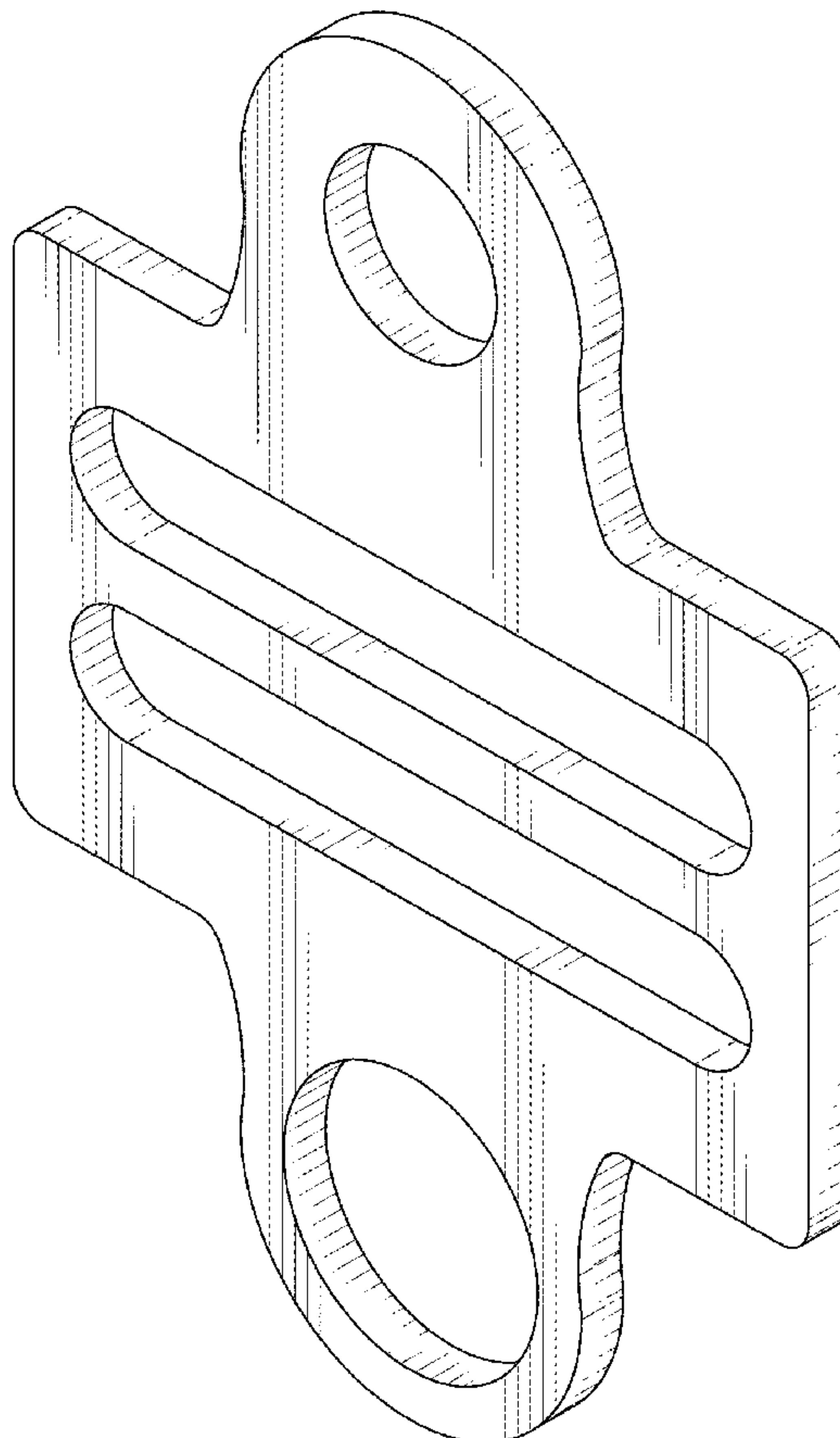
FIG. 1 is a perspective view of a tri-glide adjustable buckle showing my new design;  
FIG. 2 is a front side view thereof;  
FIG. 3 is a top view; and,  
FIG. 4 is a right side view thereof.  
The front and back views and top and bottom views are mirror images.

(56) **References Cited**

**U.S. PATENT DOCUMENTS**

D111,854 S \* 10/1938 Kratz ..... D11/201

**1 Claim, 2 Drawing Sheets**



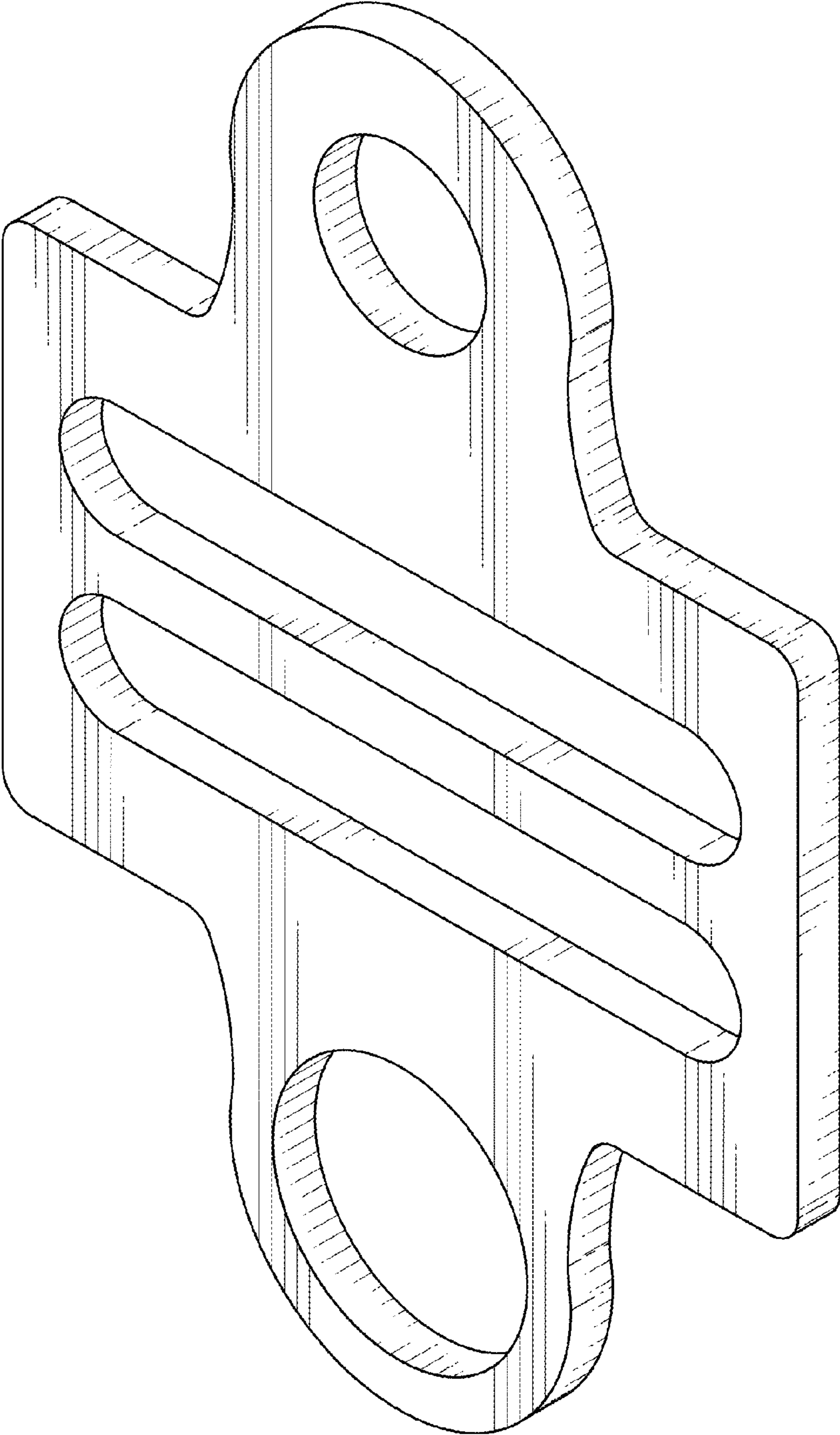


FIG. 1

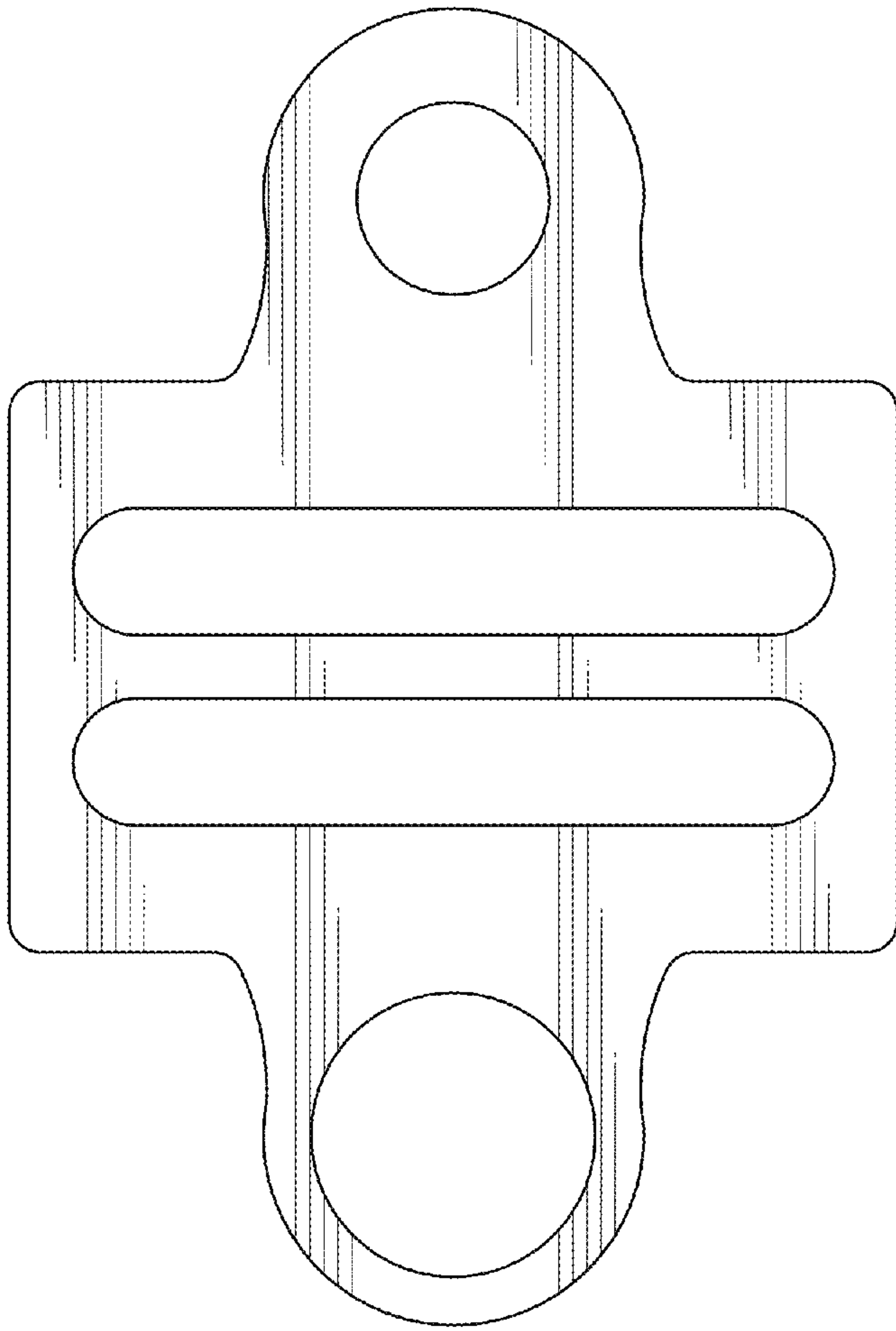


FIG. 2

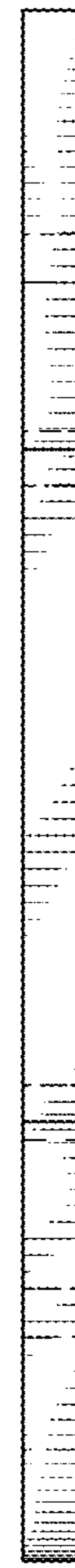


FIG. 4

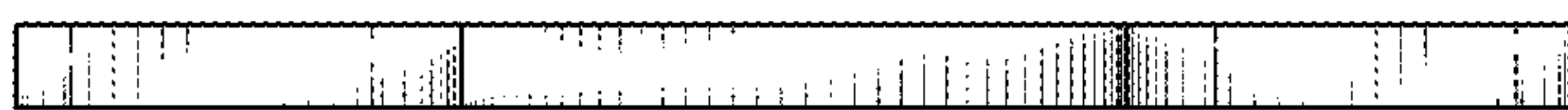


FIG. 3