



US00D744369S

(12) **United States Design Patent**  
**Blanton**

(10) **Patent No.:** **US D744,369 S**  
(45) **Date of Patent:** **\*\* Dec. 1, 2015**

(54) **MULTIPLE NECKLACE STRAND CLASP**

(71) Applicant: **Karen Blanton**, Venice, FL (US)

(72) Inventor: **Karen Blanton**, Venice, FL (US)

(\*\*) Term: **14 Years**

(21) Appl. No.: **29/495,472**

(22) Filed: **Jul. 1, 2014**

(51) **LOC (10) Cl.** ..... **11-01**

(52) **U.S. Cl.**  
USPC ..... **D11/87**

(58) **Field of Classification Search**  
USPC ..... D11/1-2, 7, 40-44, 46-49, 53, 56, 57,  
D11/59-61, 63, 65, 79-83, 86-87, 89-90,  
D11/91-92, 99, 101, 106, 114-116,  
D11/200-201; 63/18-20

CPC ..... A44C 5/02  
See application file for complete search history.

(56) **References Cited**

**U.S. PATENT DOCUMENTS**

4,527,316 A \* 7/1985 Murphy ..... 24/616  
4,549,411 A \* 10/1985 Ivey ..... 63/1.16

D331,725 S 12/1992 Mastoloni  
5,341,659 A \* 8/1994 Wright ..... 63/1.16  
5,687,585 A \* 11/1997 Ferrell ..... 63/21  
6,880,363 B2 4/2005 Ma  
7,350,376 B2 4/2008 Couling  
8,499,582 B1 8/2013 Carter  
2004/0007017 A1 1/2004 Flaherty

\* cited by examiner

*Primary Examiner* — Zenia Bennett

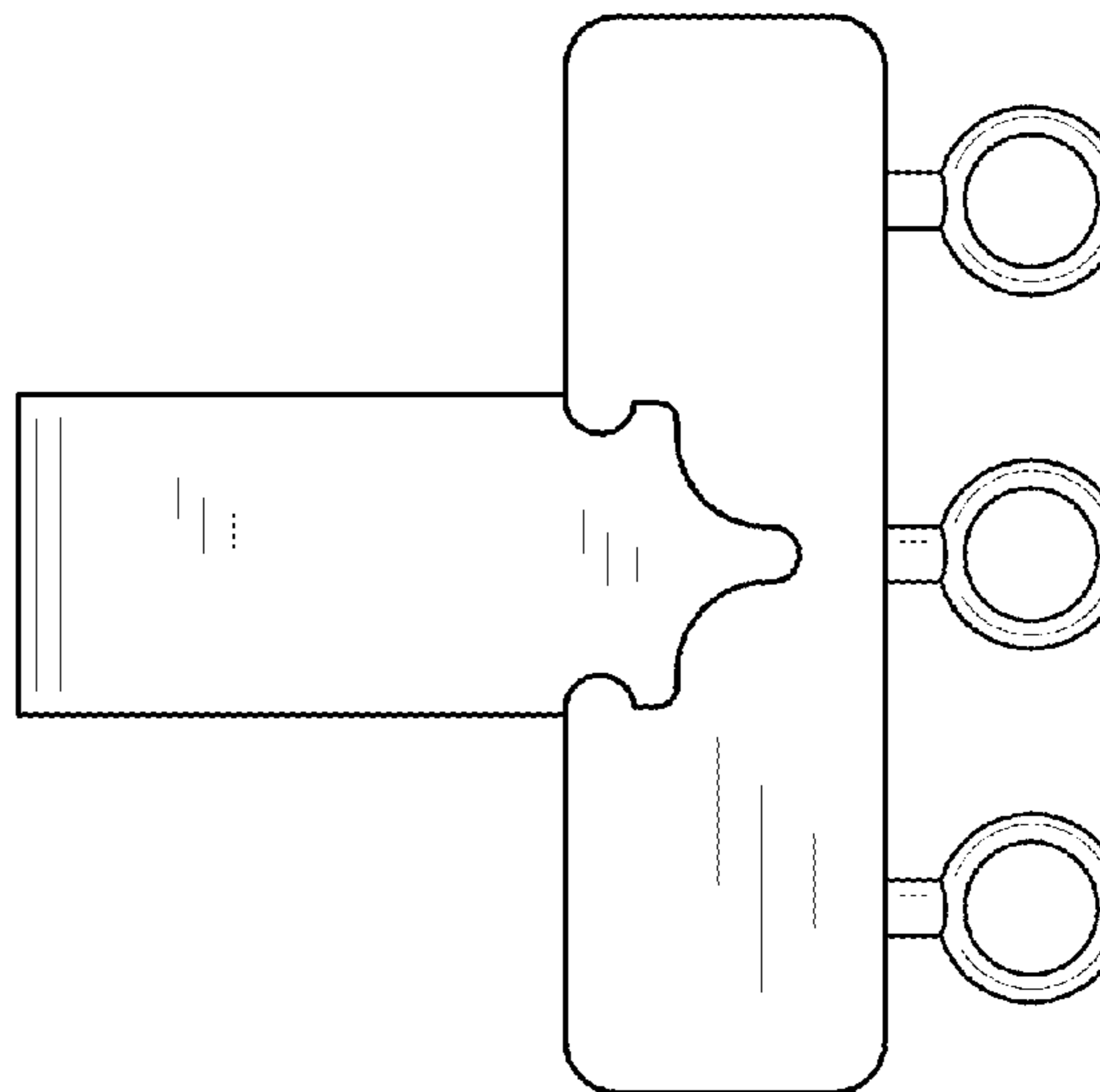
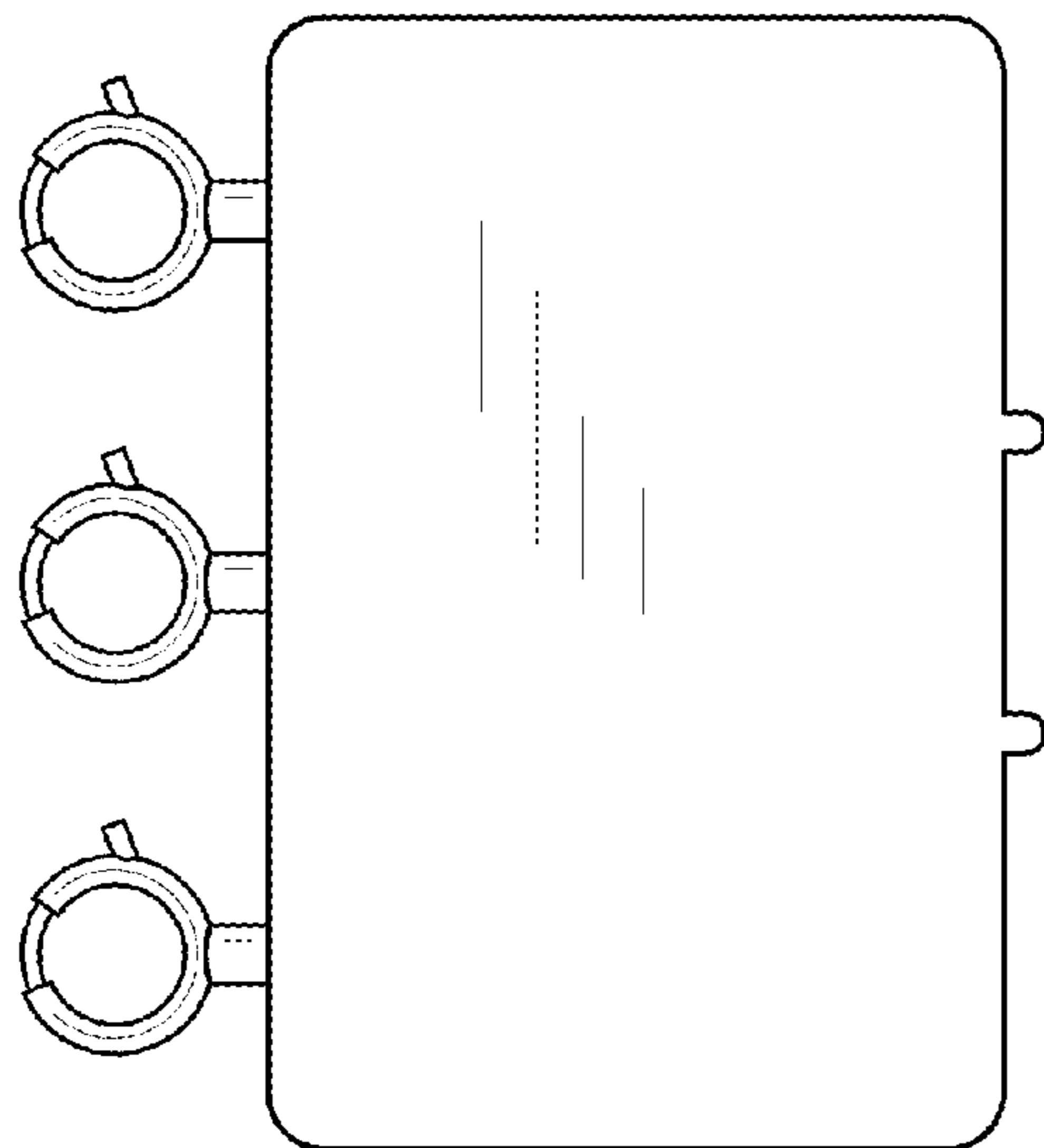
(57) **CLAIM**

I claim the ornamental design for the multiple necklace strand clasp, as shown and described.

**DESCRIPTION**

FIG. 1 is a front view of the multiple necklace strand clasp.  
FIG. 2 is a rear side view of the claimed design.  
FIG. 3 is a left side view of the claimed design.  
FIG. 4 is a right side view of the claimed design.  
FIG. 5 is a top view of the claimed design.  
FIG. 6 is a bottom view of the claimed design; and,  
FIG. 7 is a perspective view of the claimed design.

**1 Claim, 5 Drawing Sheets**



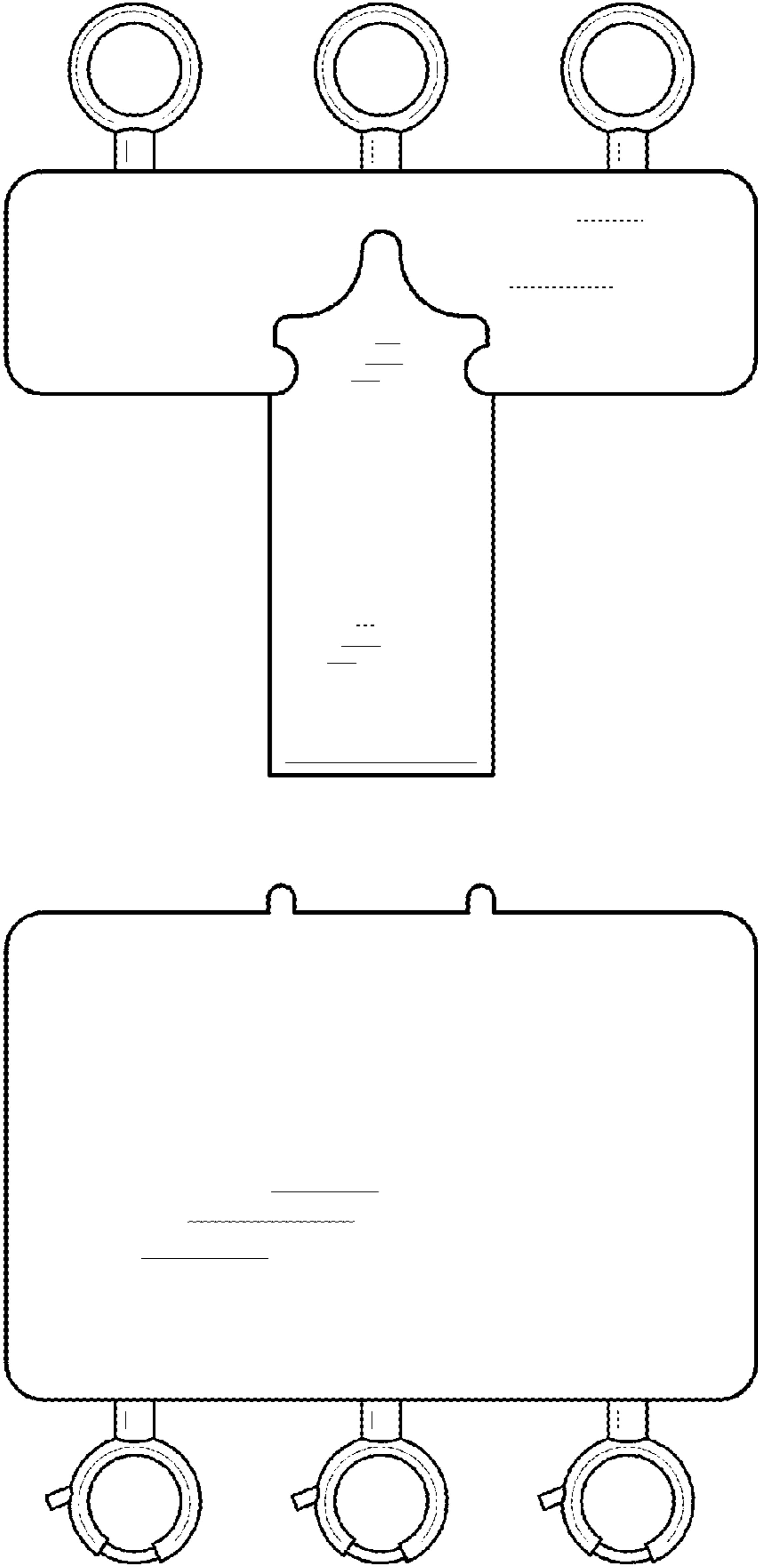


FIG. 1

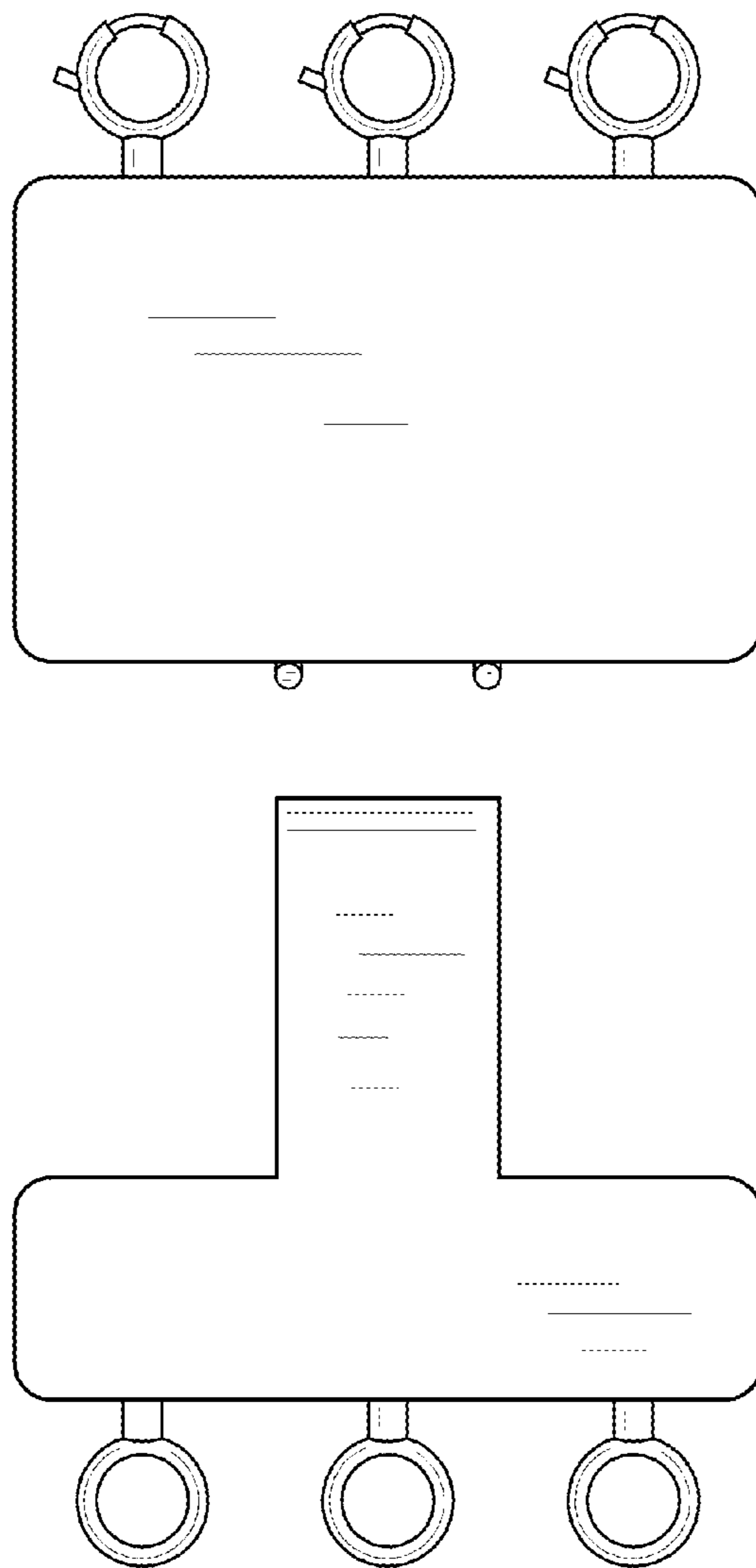


FIG. 2

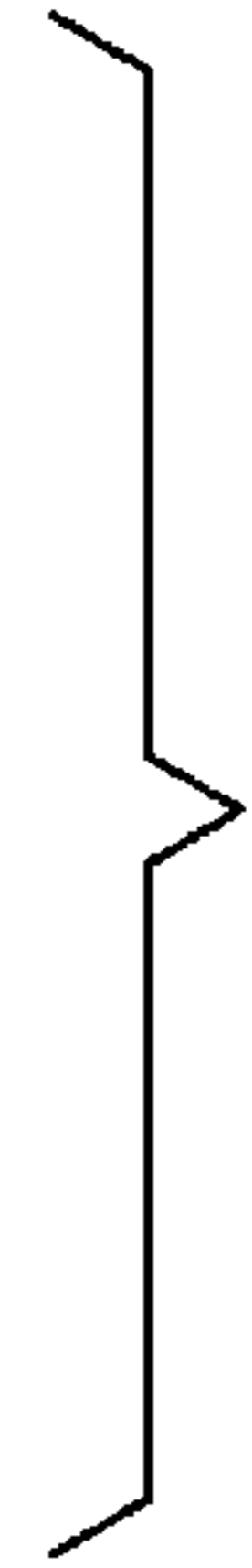
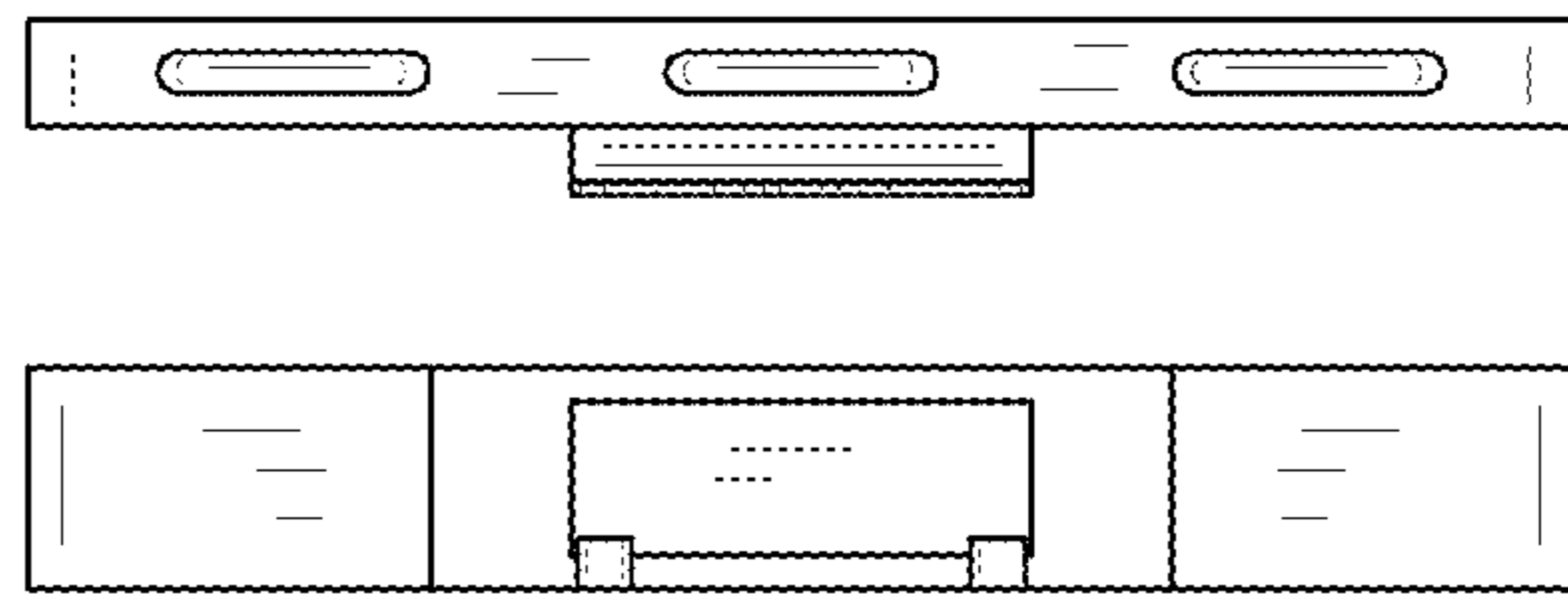


FIG. 4

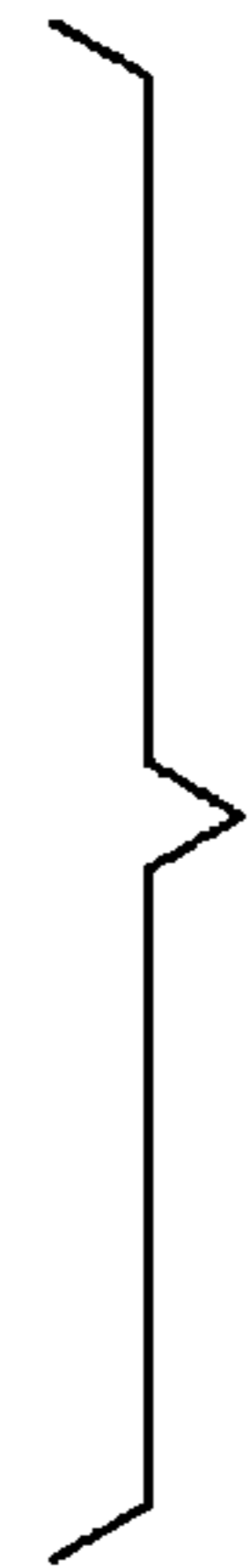
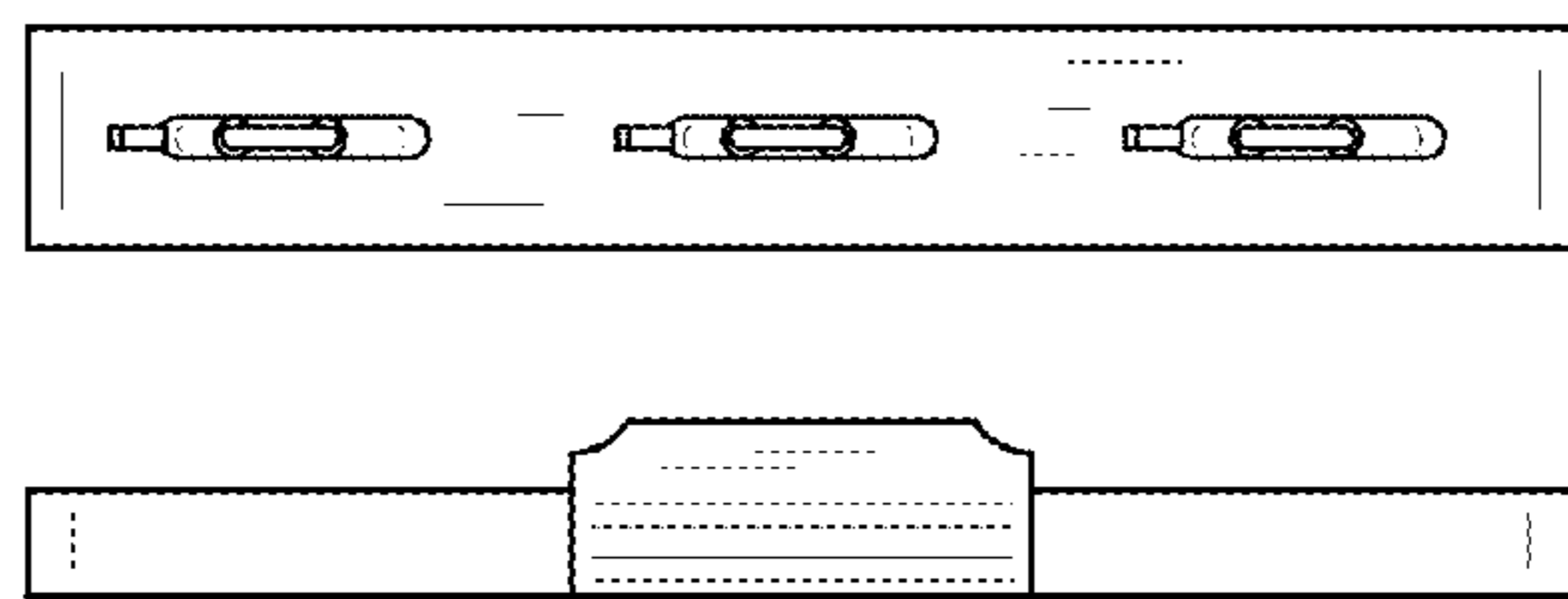


FIG. 3

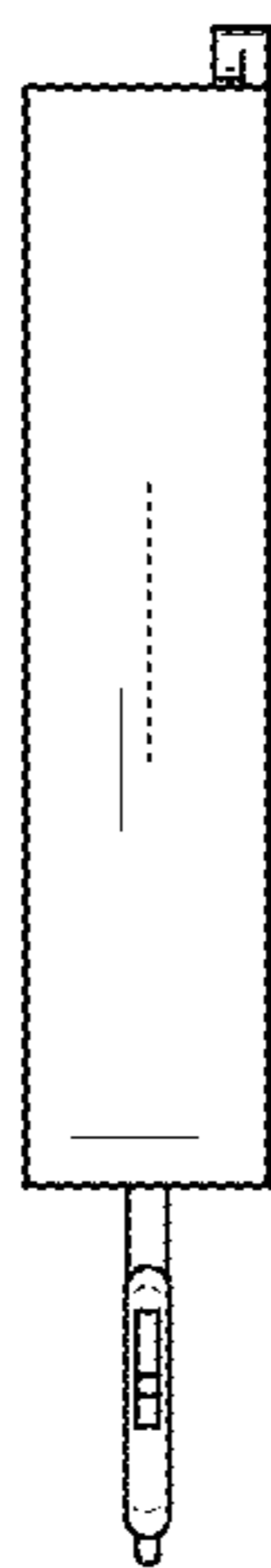
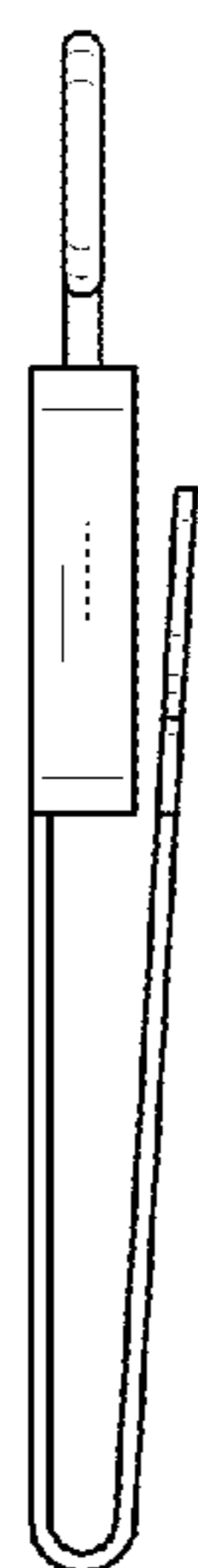


FIG. 5

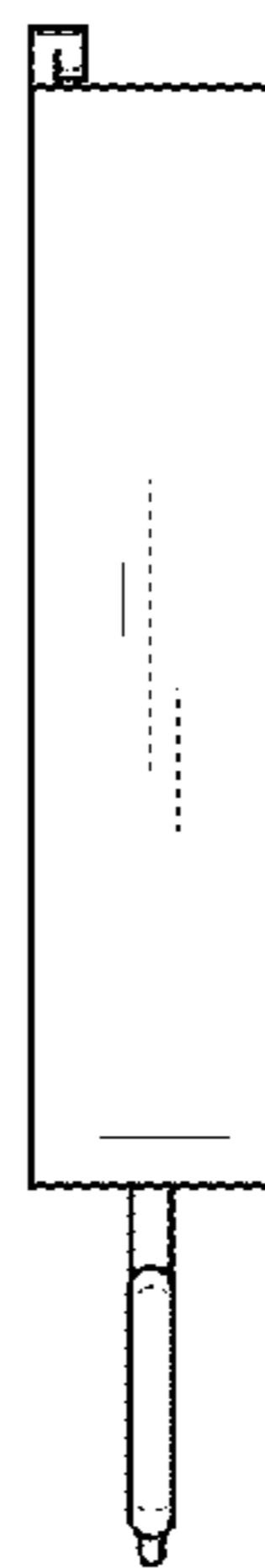
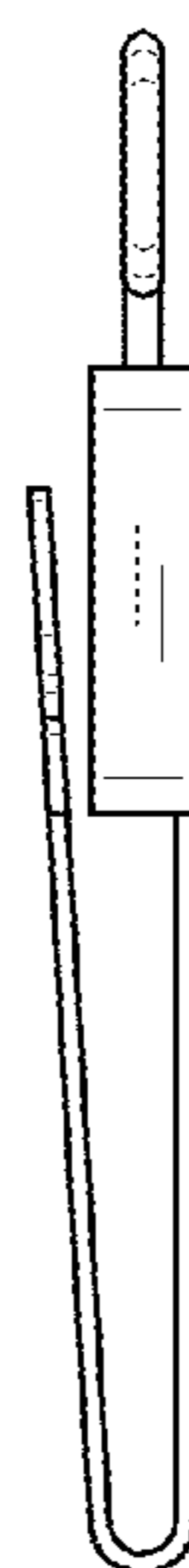


FIG. 6

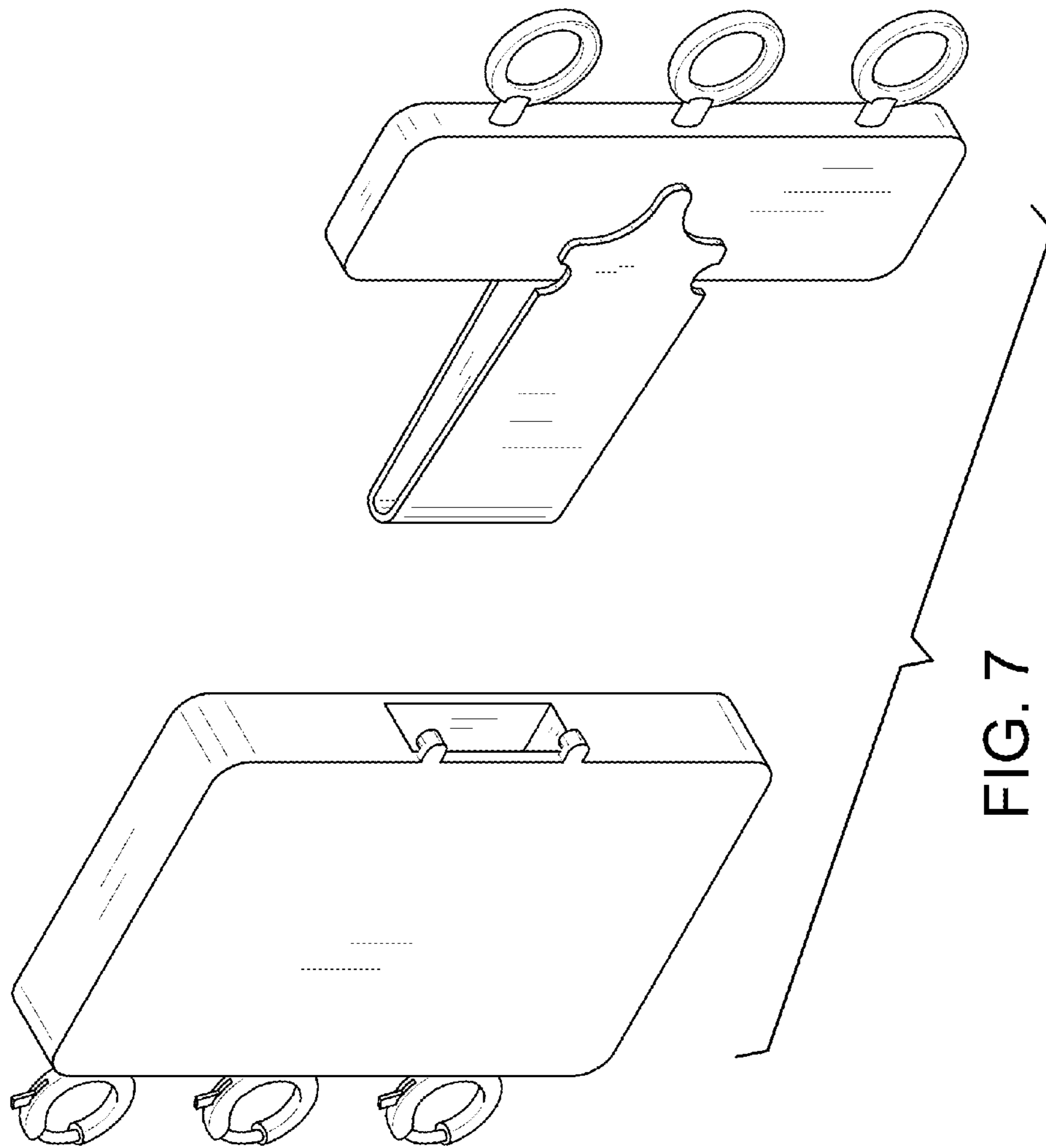


FIG. 7