



US00D744368S

(12) **United States Design Patent**
Pillow

(10) **Patent No.:** **US D744,368 S**

(45) **Date of Patent:** **** Dec. 1, 2015**

(54) **RING**

DESCRIPTION

(71) Applicant: **Brian Leslie Pillow**, Dublin (IE)

(72) Inventor: **Brian Leslie Pillow**, Dublin (IE)

(**) Term: **14 Years**

(21) Appl. No.: **29/501,614**

(22) Filed: **Sep. 5, 2014**

(51) **LOC (10) Cl.** **11-01**

(52) **U.S. Cl.**
USPC **D11/26**

(58) **Field of Classification Search**

USPC D11/1, 2, 3, 4, 5, 26-39, 91, 92, 84, 67;
D3/215, 903

CPC A44C 5/00; A44C 5/0007; A44C 5/0015;
A44C 5/003; A44C 5/053; A44C 9/00;
A44C 9/0007; A44C 9/0014; A44C 9/0023;
A44C 9/003; A44C 9/0038; A44C 9/0046;
A44C 9/0053; A44C 9/0061; A44C 9/0069;
A44C 9/0076; A44C 17/0258; A44C 17/0266;
A44C 17/0275; A44C 17/0283; A44C 17/02;
A44C 17/0208

See application file for complete search history.

(56) **References Cited**

U.S. PATENT DOCUMENTS

D91,250 S * 12/1933 Pastula D11/32
D118,386 S * 1/1940 Pajzs D11/32

(Continued)

OTHER PUBLICATIONS

[Online] <http://www.blarney.com/contentFiles/productImages/Medium/Claddagh-Ring-14ct-centre-open.jpg>. Retrieved Aug. 31, 2015.*

(Continued)

Primary Examiner — Cathron Brooks

Assistant Examiner — Melanie Pellegrini

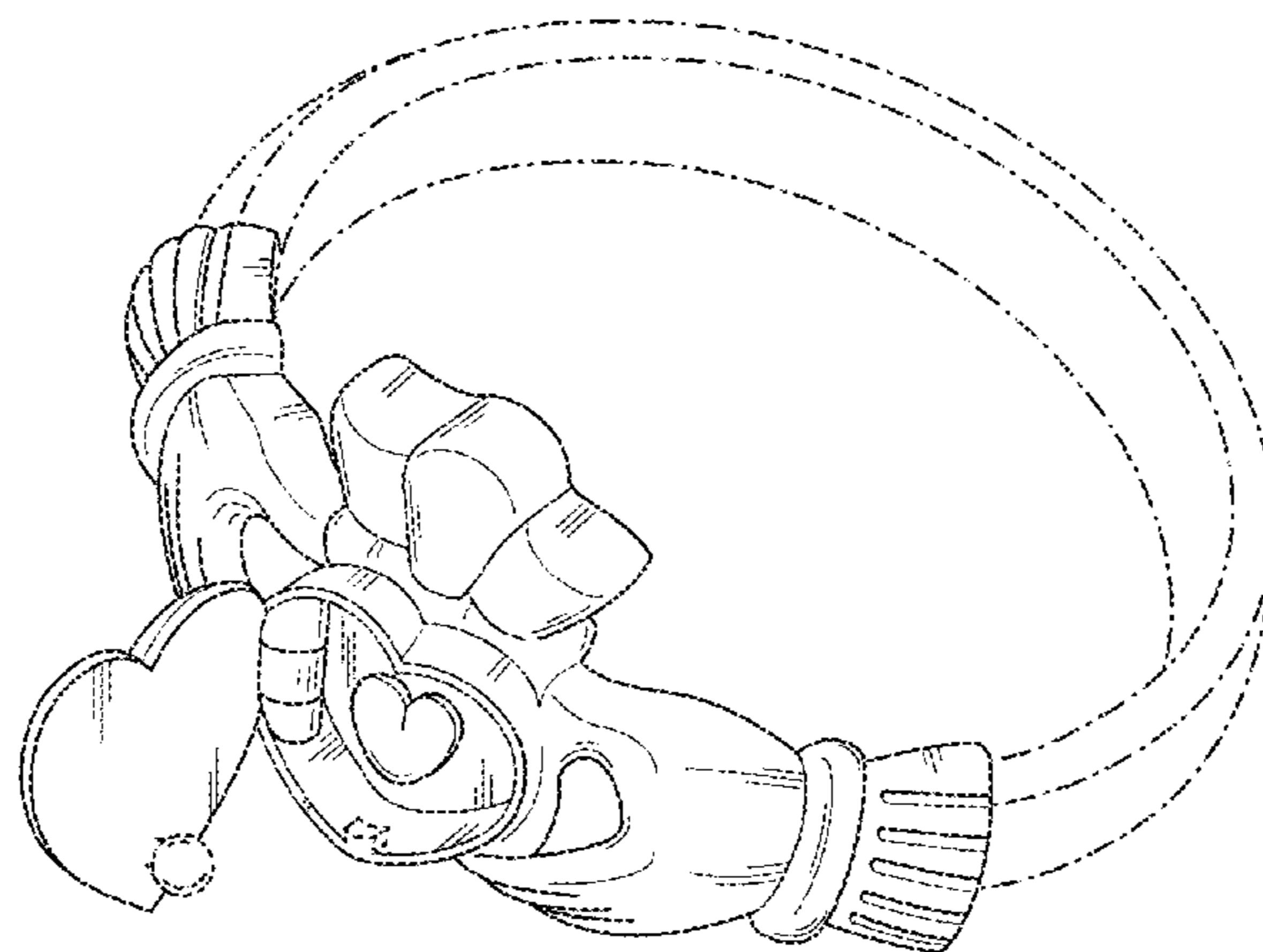
(74) *Attorney, Agent, or Firm* — Raymond A. Nuzzo

(57) **CLAIM**

The ornamental design for a ring, as shown and described.

FIG. 1 is a top perspective view of a first embodiment of a ring showing my new design in an open state;
FIG. 2 is a bottom perspective view of the ring of FIG. 1;
FIG. 3 is a front side view of the ring of FIG. 1;
FIG. 4 is back side view of the ring of FIG. 1;
FIG. 5 is a top view of the ring of FIG. 1;
FIG. 6 is a bottom view of the ring of FIG. 1;
FIG. 7 is a right side view of the ring of FIG. 1, the left side view being the same as the right side view;
FIG. 8 is a bottom perspective view of FIG. 1 in which the door of the ring is shown in a closed state;
FIG. 9 is a top perspective view of a second embodiment of a ring showing my new design in an open state;
FIG. 10 is a bottom perspective view of the ring of FIG. 9;
FIG. 11 is a front side view of the ring of FIG. 9;
FIG. 12 is back side view of the ring of FIG. 9;
FIG. 13 is a top view of the ring of FIG. 9;
FIG. 14 is a bottom view of the ring of FIG. 9;
FIG. 15 is a right side view of the ring of FIG. 9, the left side view being the same as the right side view;
FIG. 16 is a bottom perspective view of FIG. 9 in which the ring is shown in a closed state;
FIG. 17 is a top perspective view of a third embodiment of a ring showing my new design in an open state;
FIG. 18 is a bottom perspective view of the ring of FIG. 17;
FIG. 19 is a front side view of the ring of FIG. 17;
FIG. 20 is back side view of the ring of FIG. 17;
FIG. 21 is a top view of the ring of FIG. 17;
FIG. 22 is a bottom view of the ring of FIG. 17;
FIG. 23 is a left side view of the ring of FIG. 17, the right side view being the same as the left side view;
FIG. 24 is a bottom perspective view of FIG. 17 in which the ring is shown in a closed state;
FIG. 25 is a top perspective view of a fourth embodiment of a ring showing my new design in an open state;
FIG. 26 is a bottom perspective view of the ring of FIG. 25;
FIG. 27 is a front side view of the ring of FIG. 25;
FIG. 28 is back side view of the ring of FIG. 25;
FIG. 29 is a top view of the ring of FIG. 25;
FIG. 30 is a bottom view of the ring of FIG. 25;
FIG. 31 is a left side view of the ring of FIG. 25, the right side view being the same as the left side view; and,
FIG. 32 is a bottom perspective view of FIG. 25 in which the ring is shown in a closed state.
The broken lines shown in the drawings illustrate portions of the ring that form no part of the claimed design.

1 Claim, 32 Drawing Sheets



(56)

References Cited

U.S. PATENT DOCUMENTS

D123,082 S * 10/1940 Garfinkel D10/32
D128,976 S * 8/1941 Gerardi D11/32
2,287,451 A * 6/1942 Reiter A44C 9/00
63/15
D135,206 S * 3/1943 Mynors D11/32
D301,559 S * 6/1989 Wood D1/109
D301,560 S * 6/1989 Gozlan D11/32
D395,841 S * 7/1998 Kenna D11/81
D690,221 S * 9/2013 Schmidt D11/32

OTHER PUBLICATIONS

[Online] <http://cdn3.volusion.com/ce2y7.wtun4/v/vspfiles/photos/claddagh-ring-1s-PROMISE1-2.jpg?1361279222>. Retrieved Aug. 31, 2015.*

[Online] <https://thecladdagh.com/media/catalog/product/cache/1/image/9df78eab33525d08d6e5fb8d27136e95/s/w/sweetheart-claddagh-ring-closed.jpg>. Retrieved Aug. 31, 2015.*

* cited by examiner

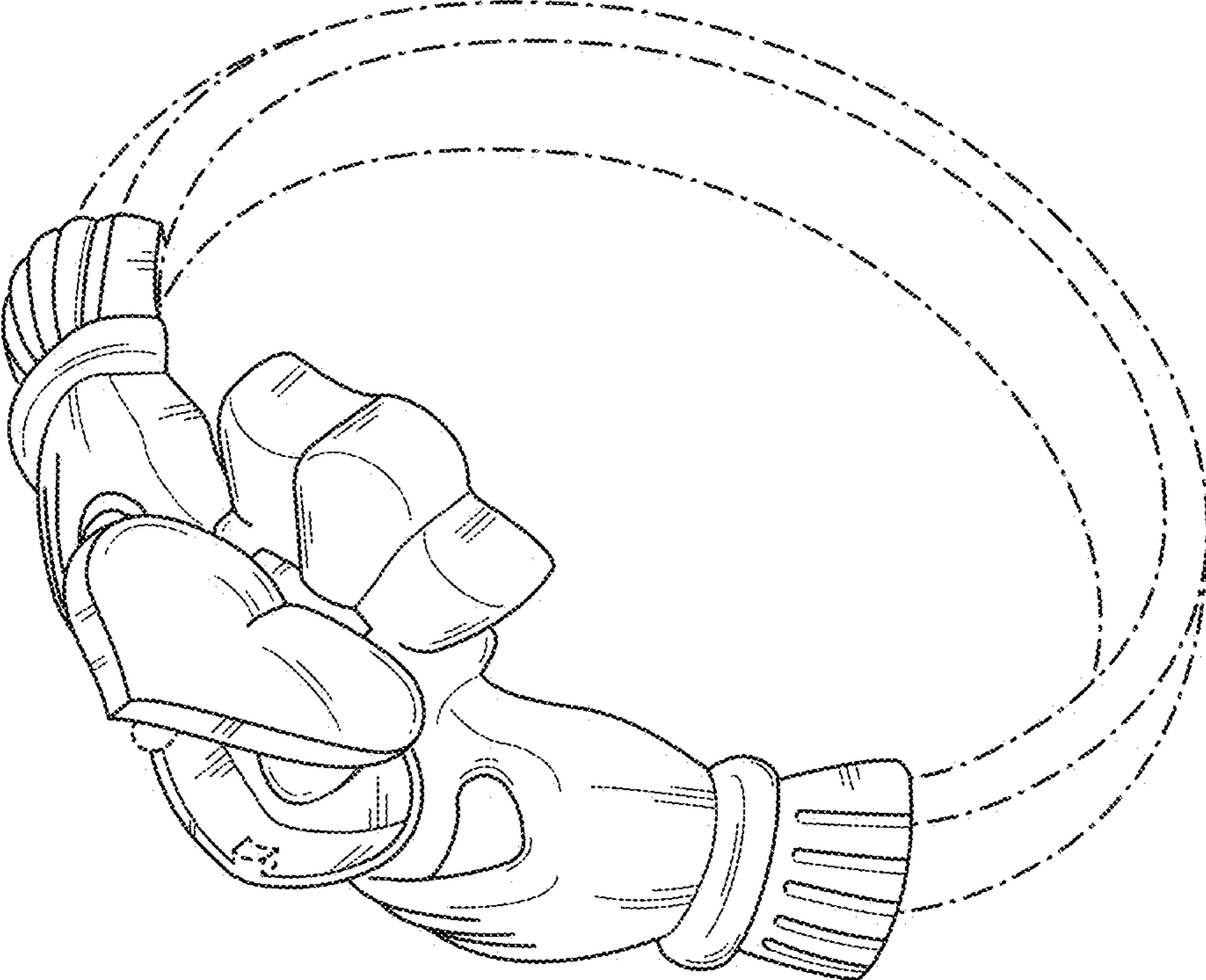


Figure 1

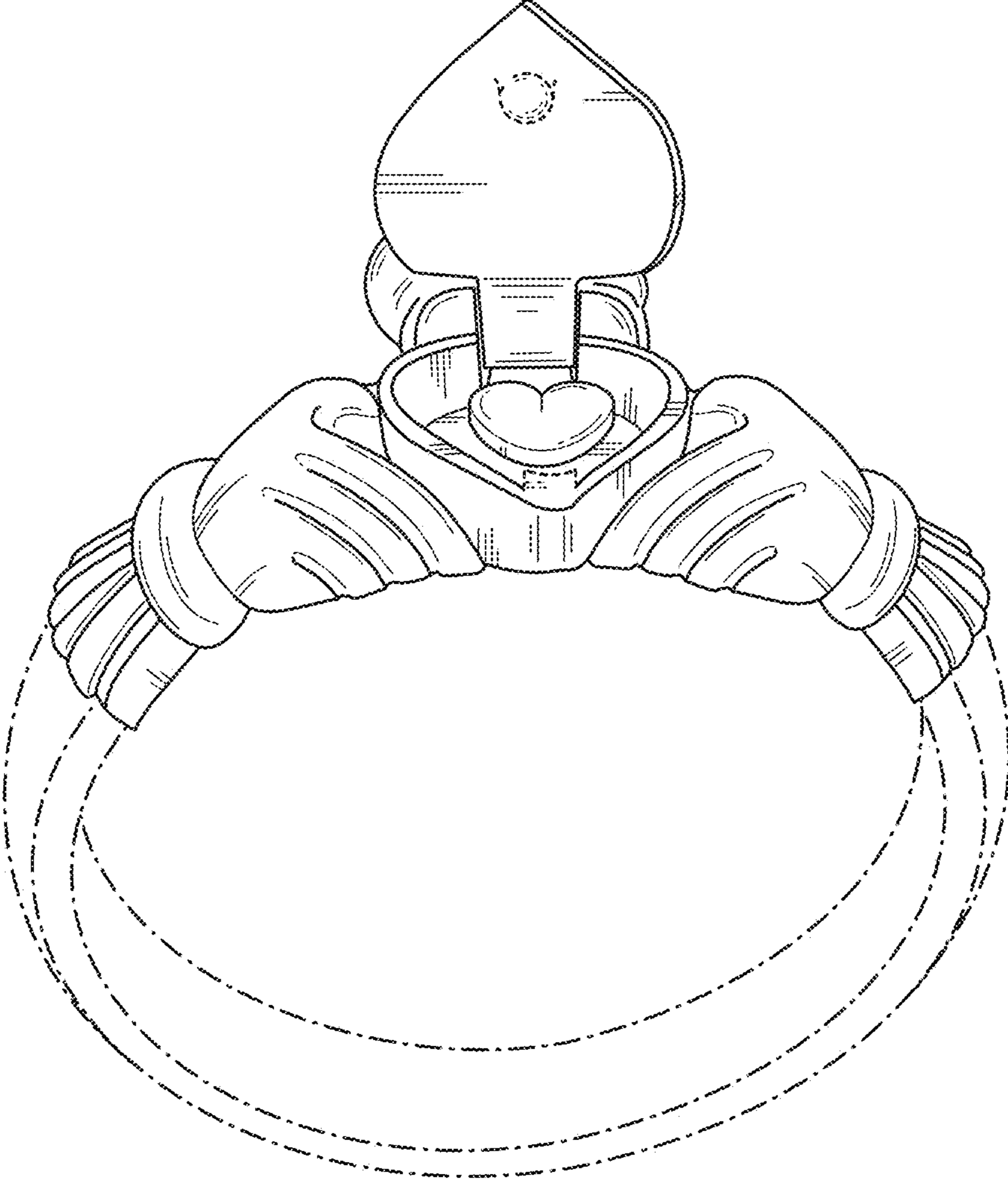


Figure 2

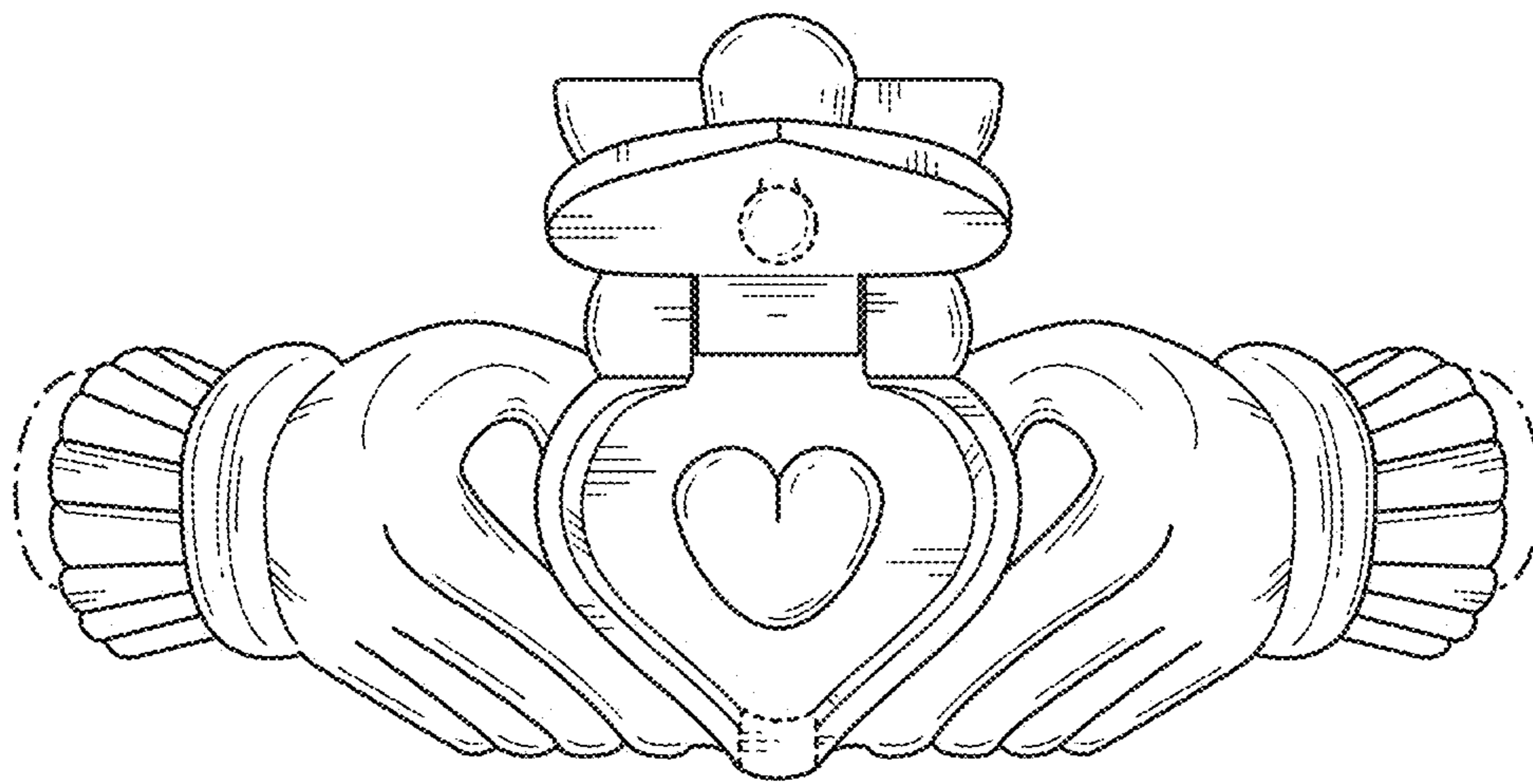


Figure 3

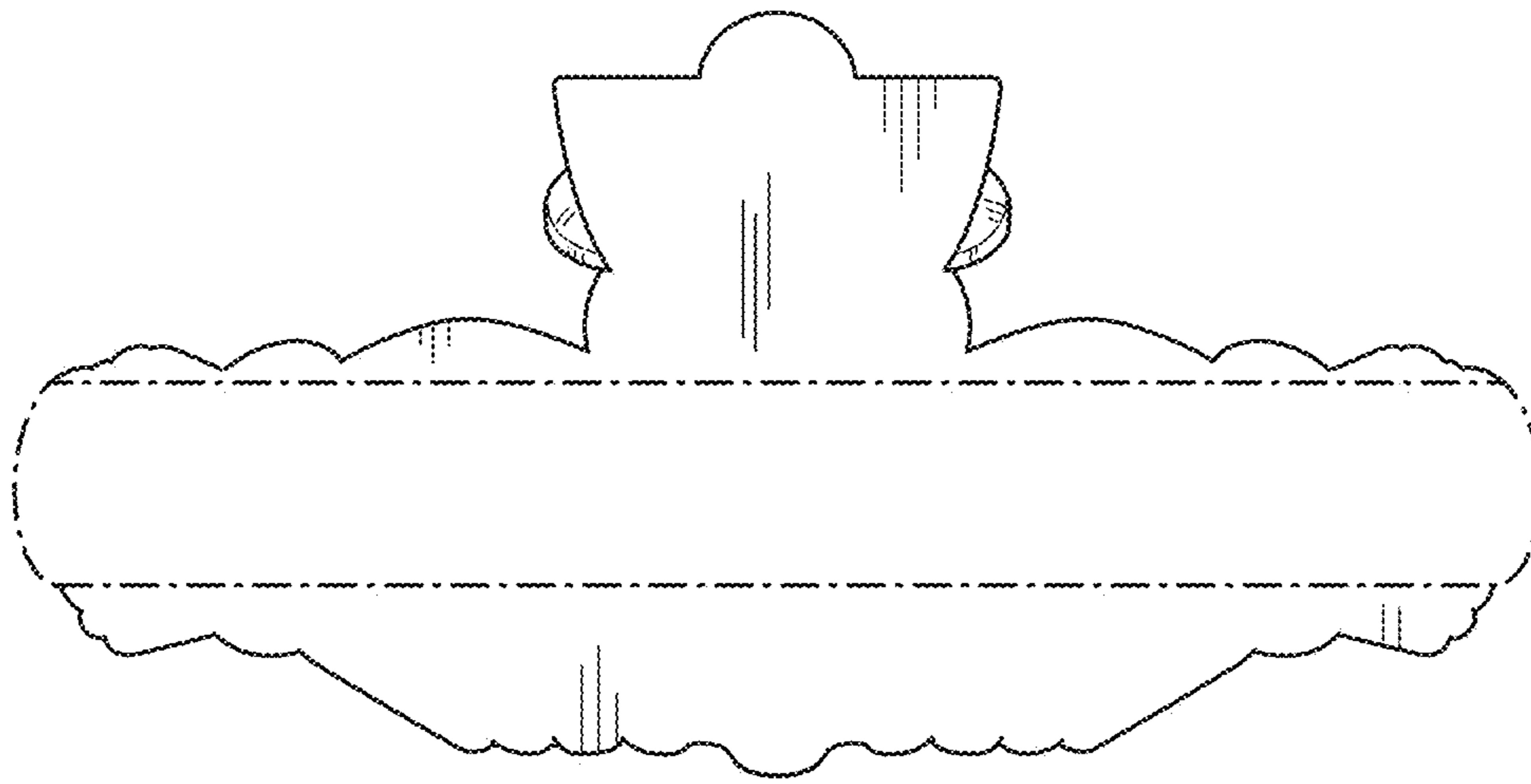


Figure 4

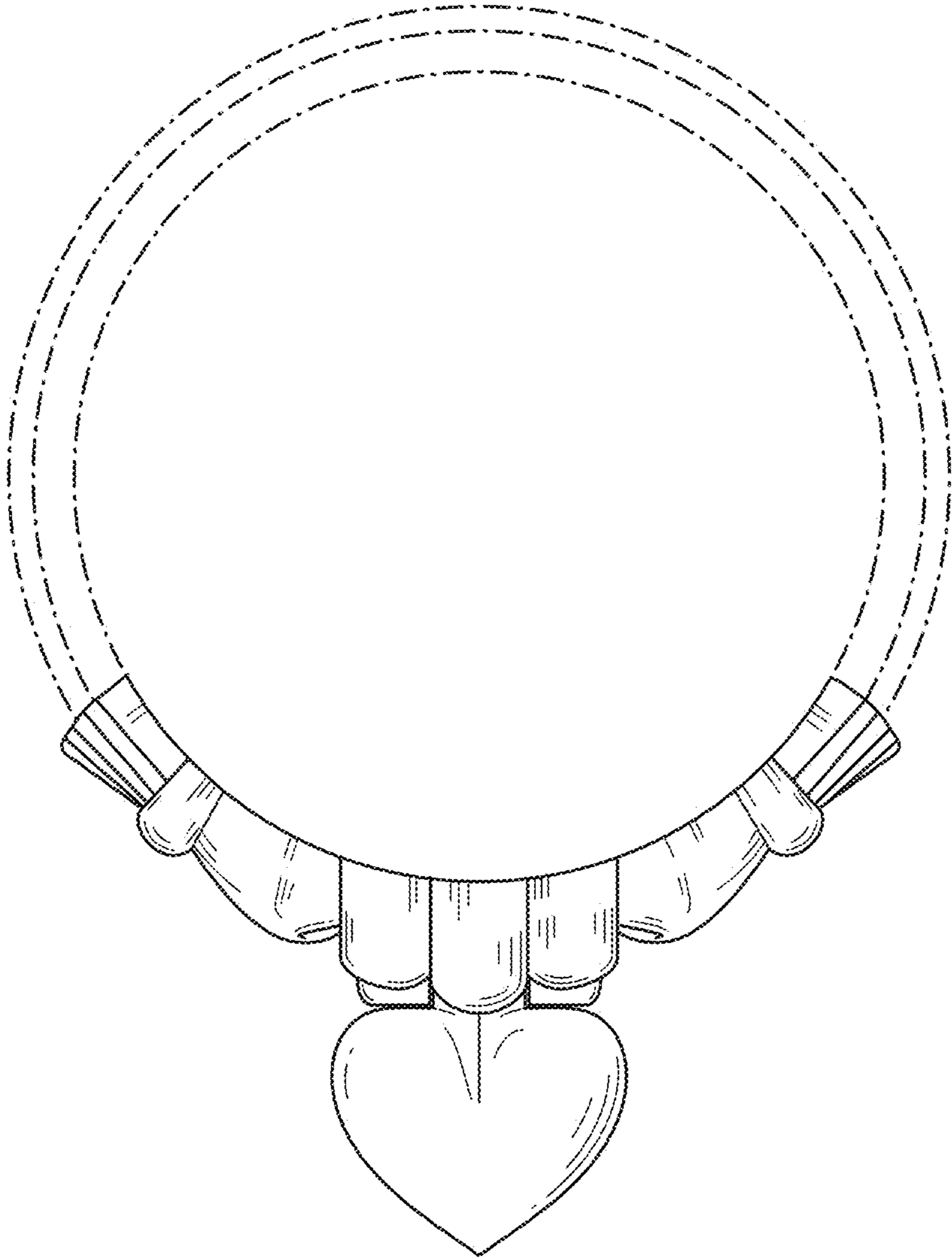


Figure 5

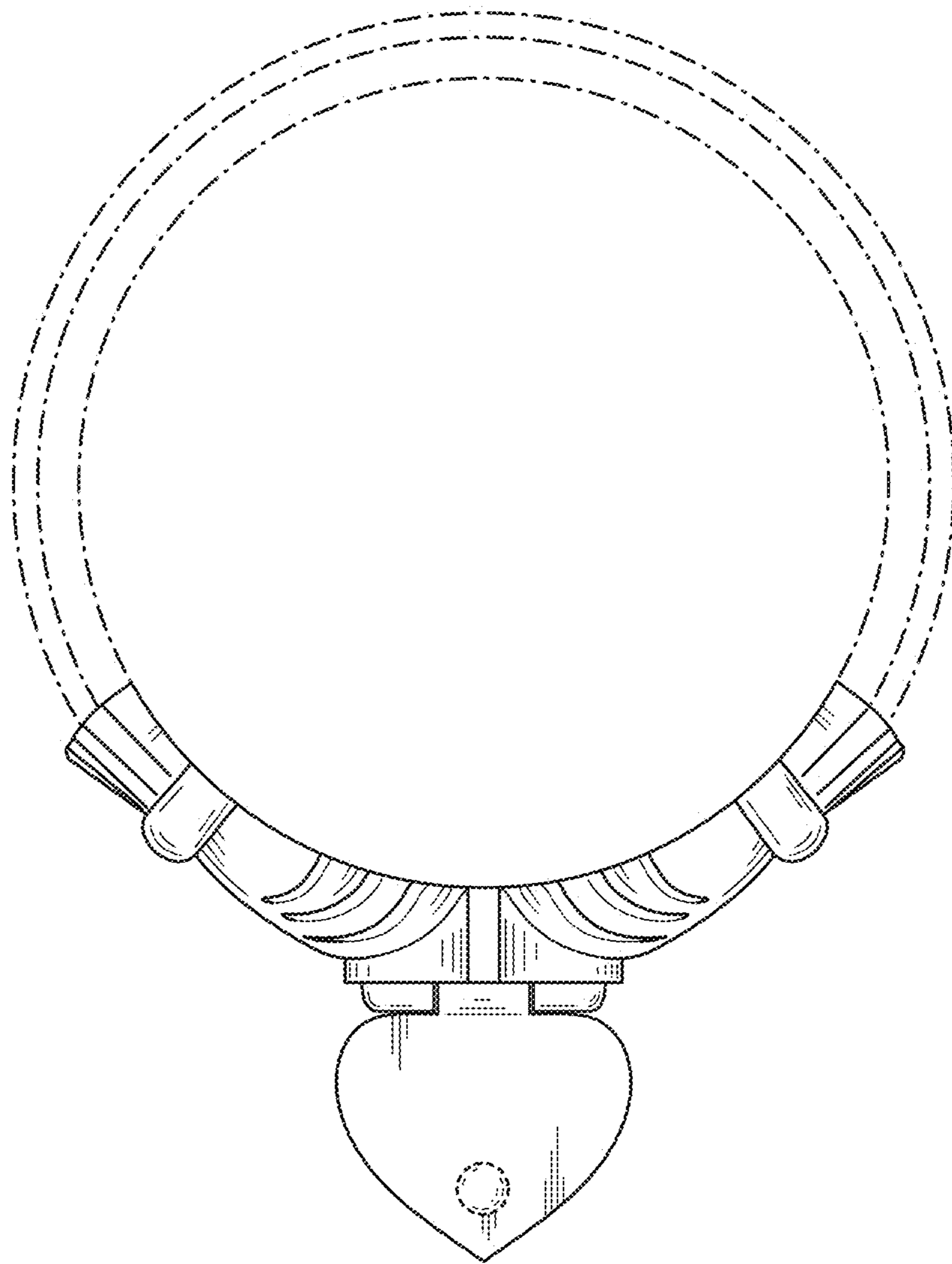


Figure 6

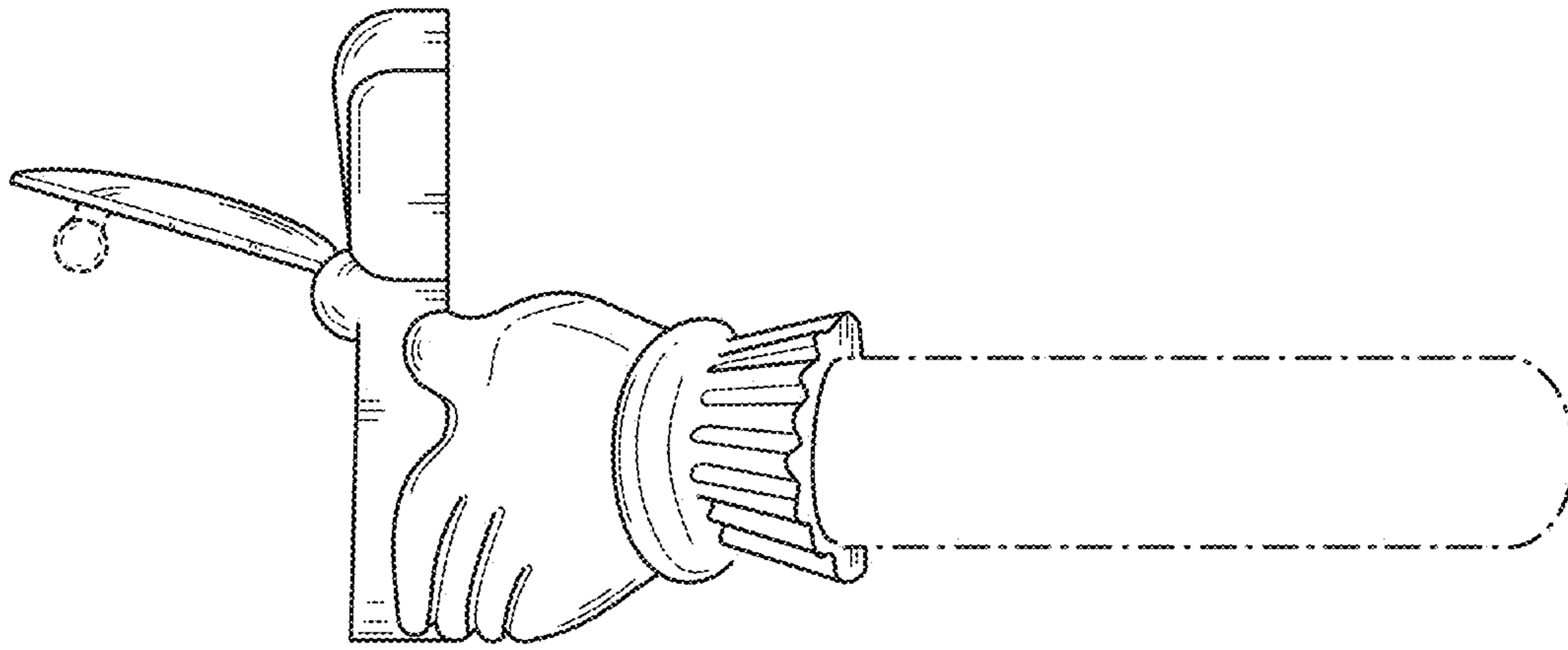


Figure 7

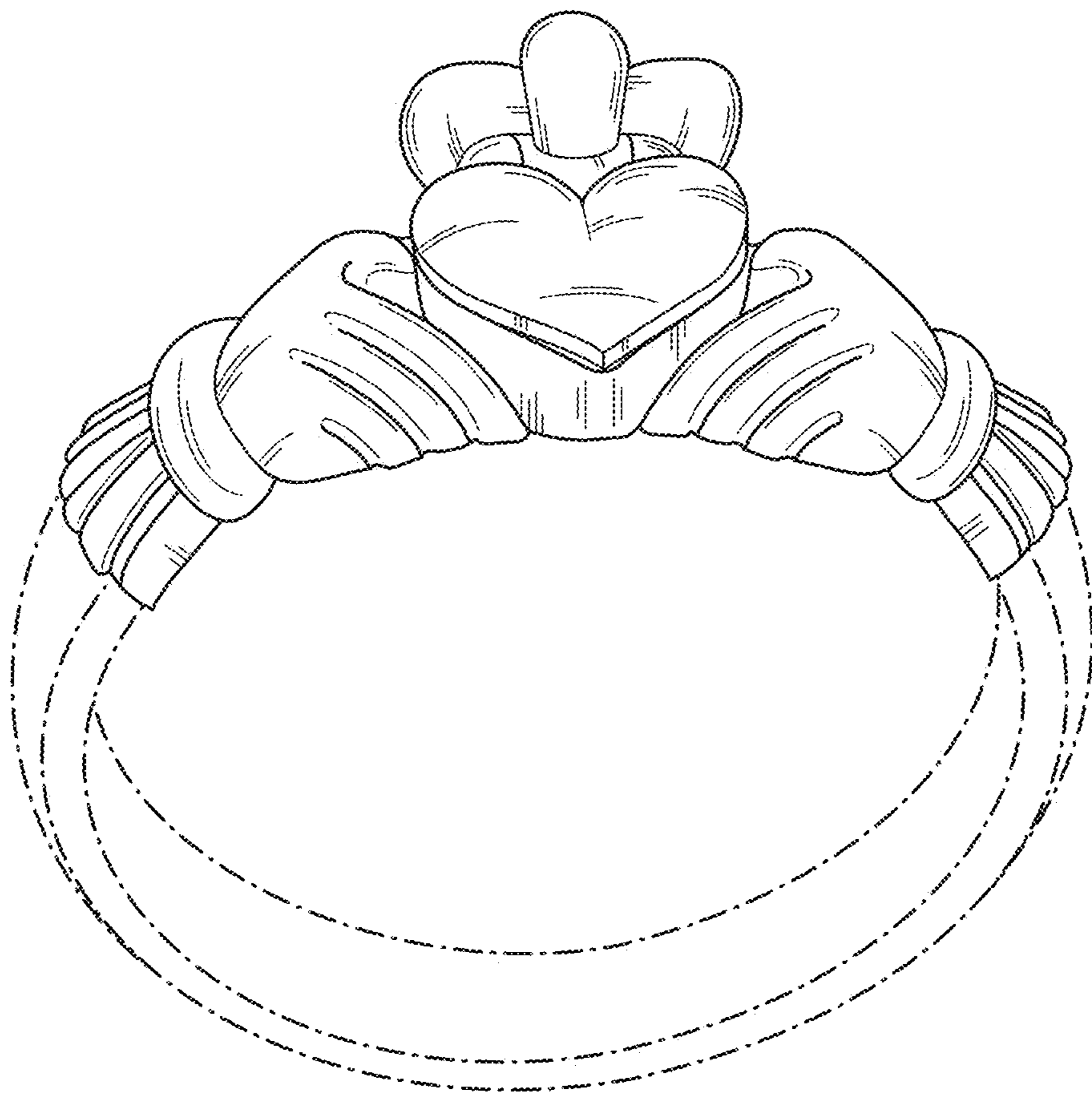


Figure 8

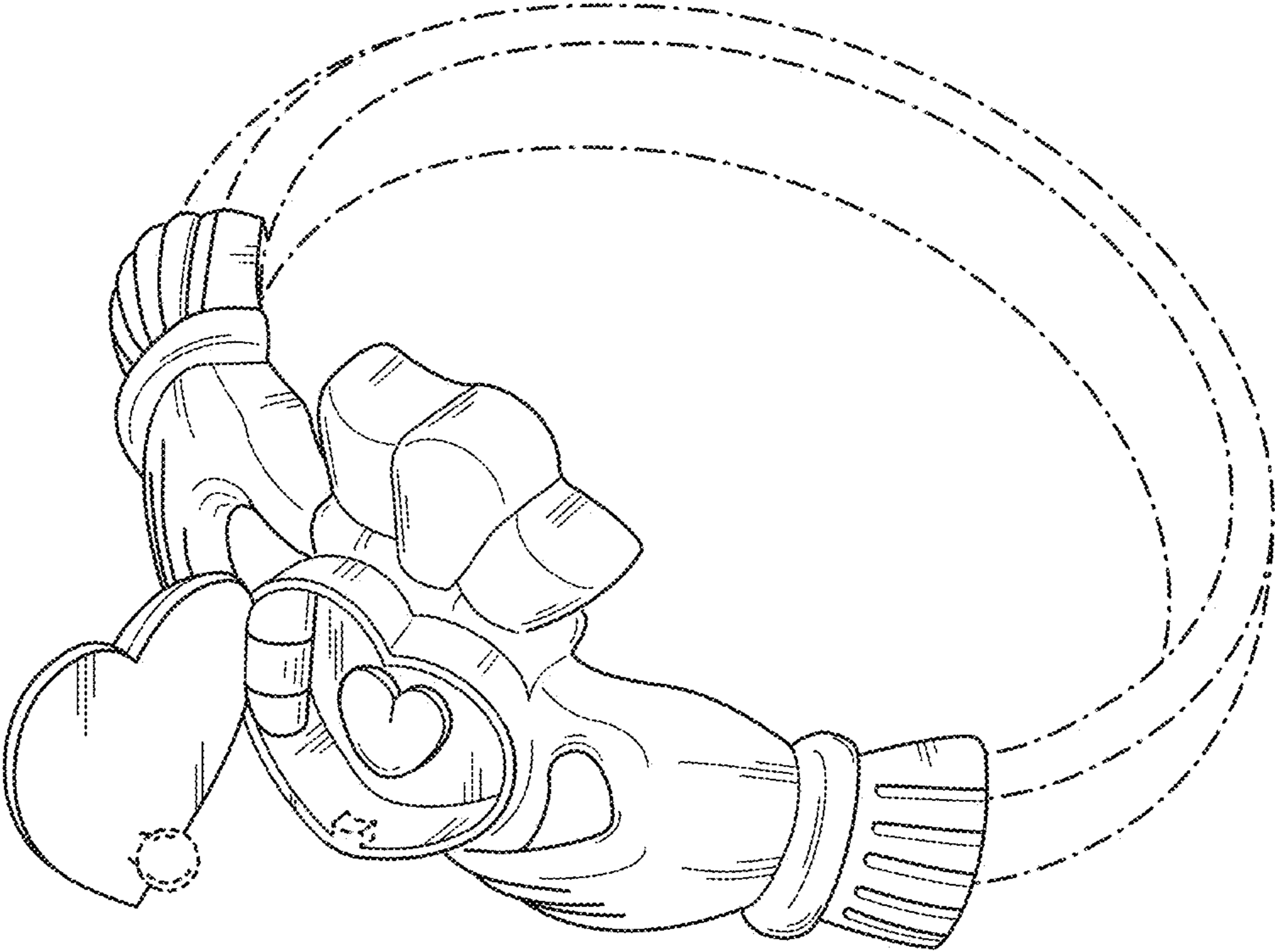


Figure 9

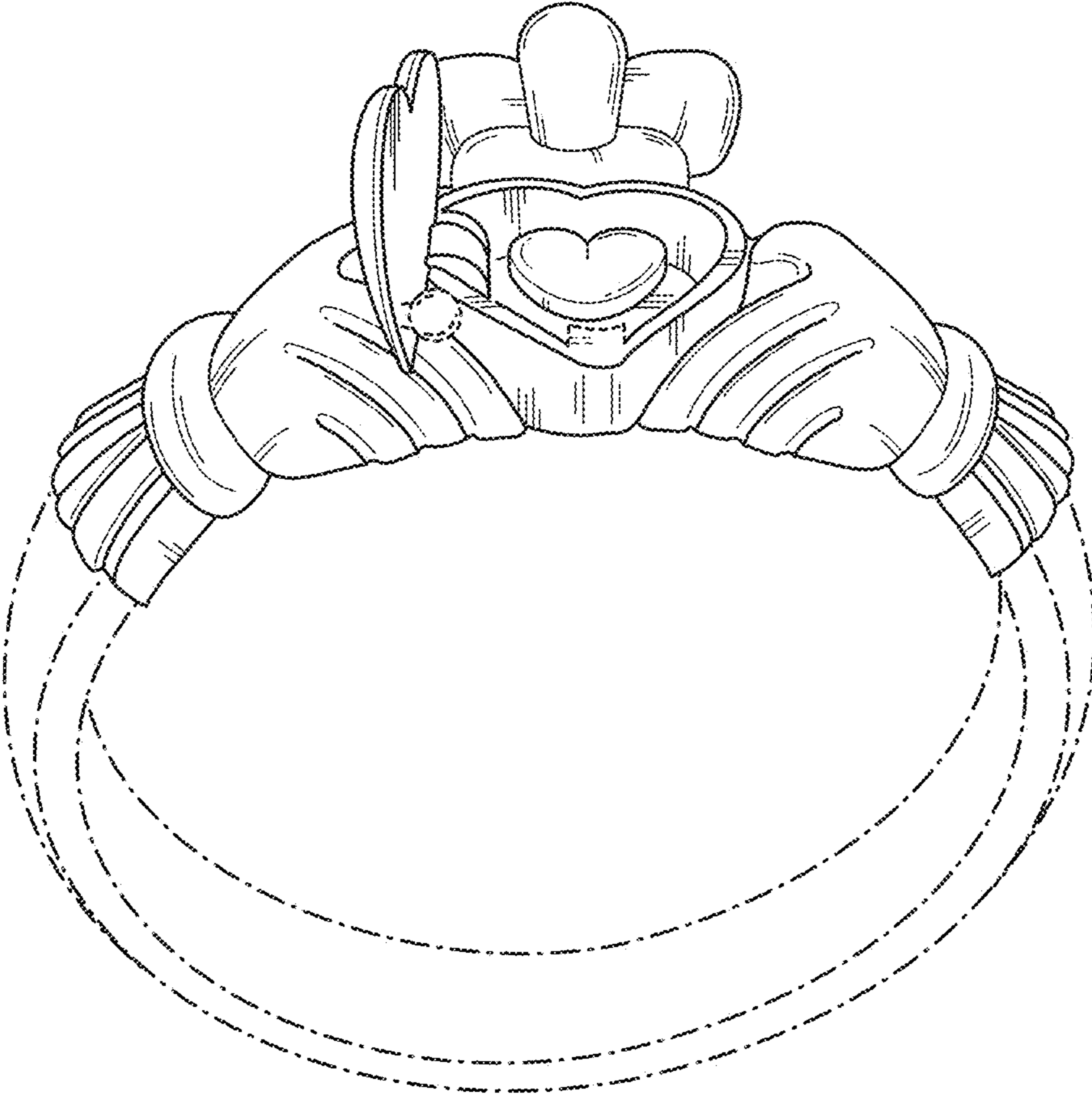


Figure 10

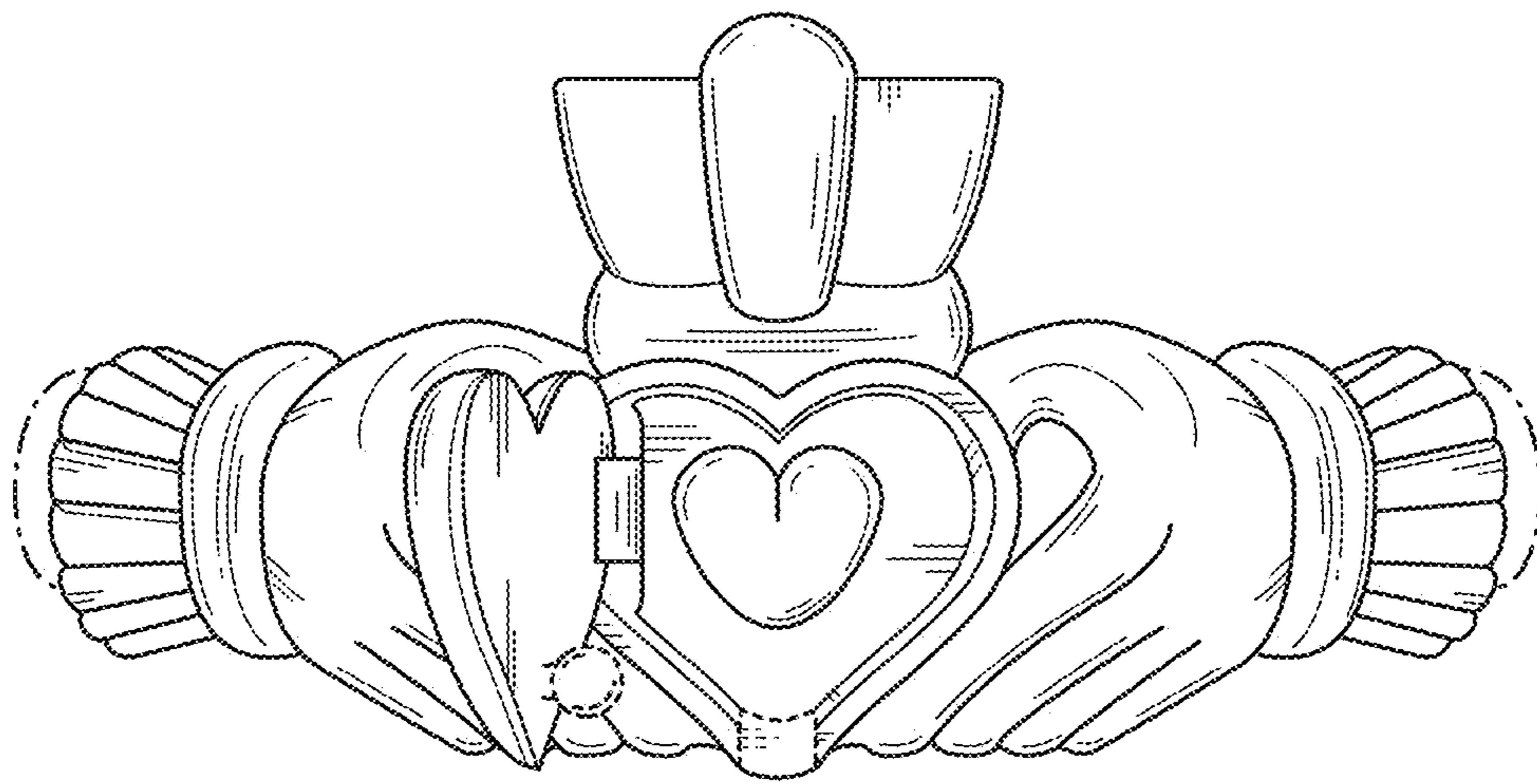


Figure 11

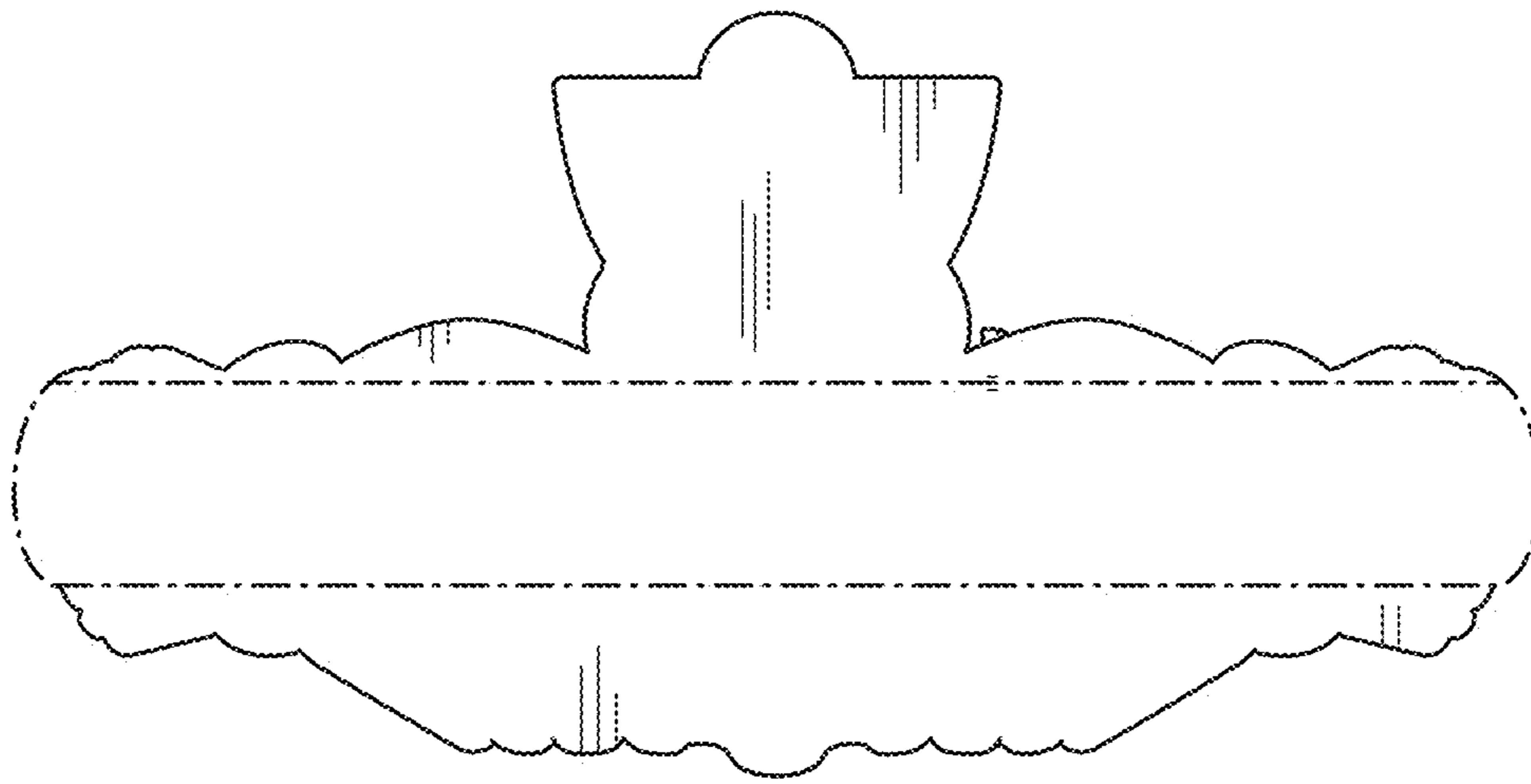


Figure 12

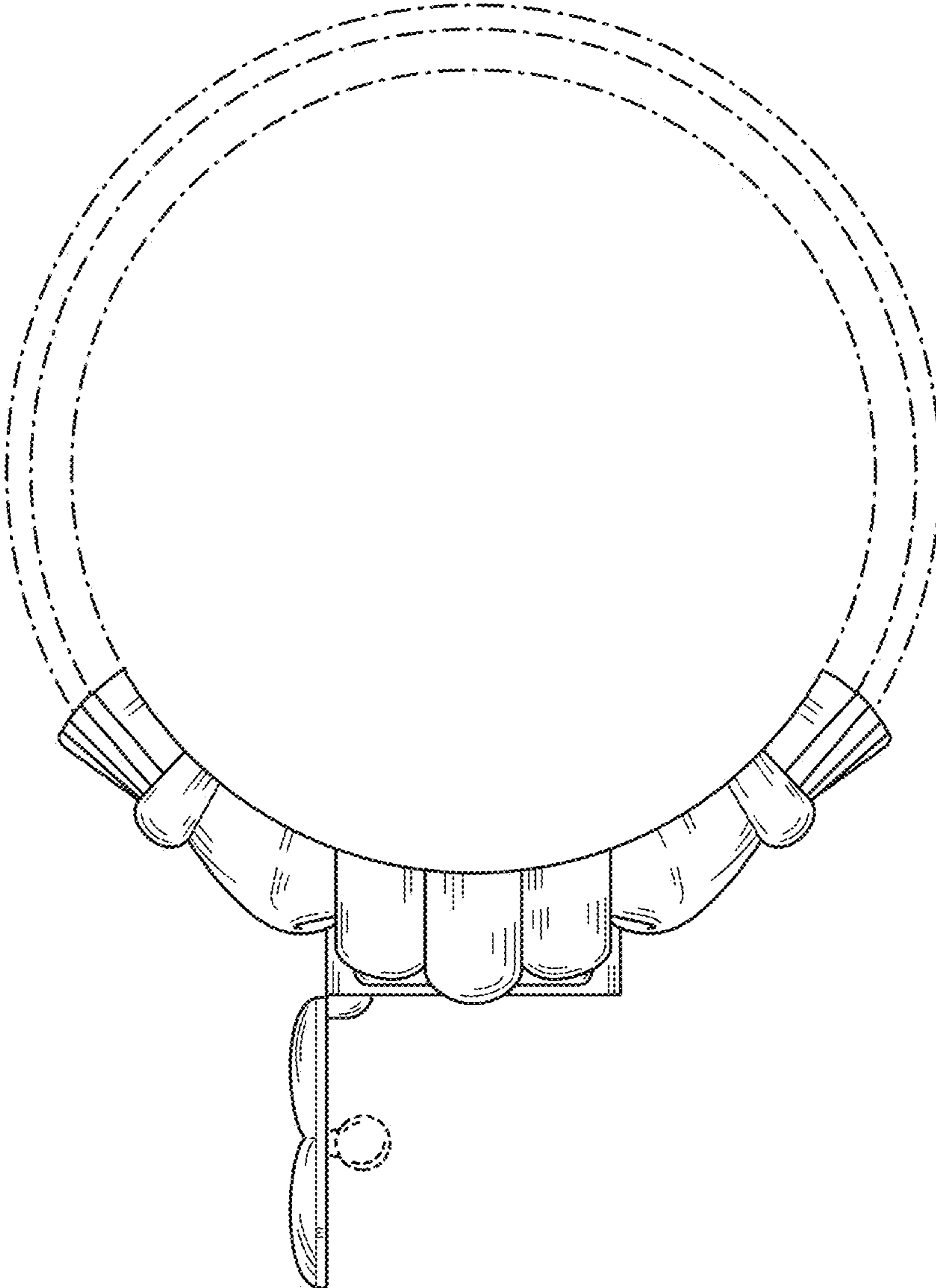


Figure 13

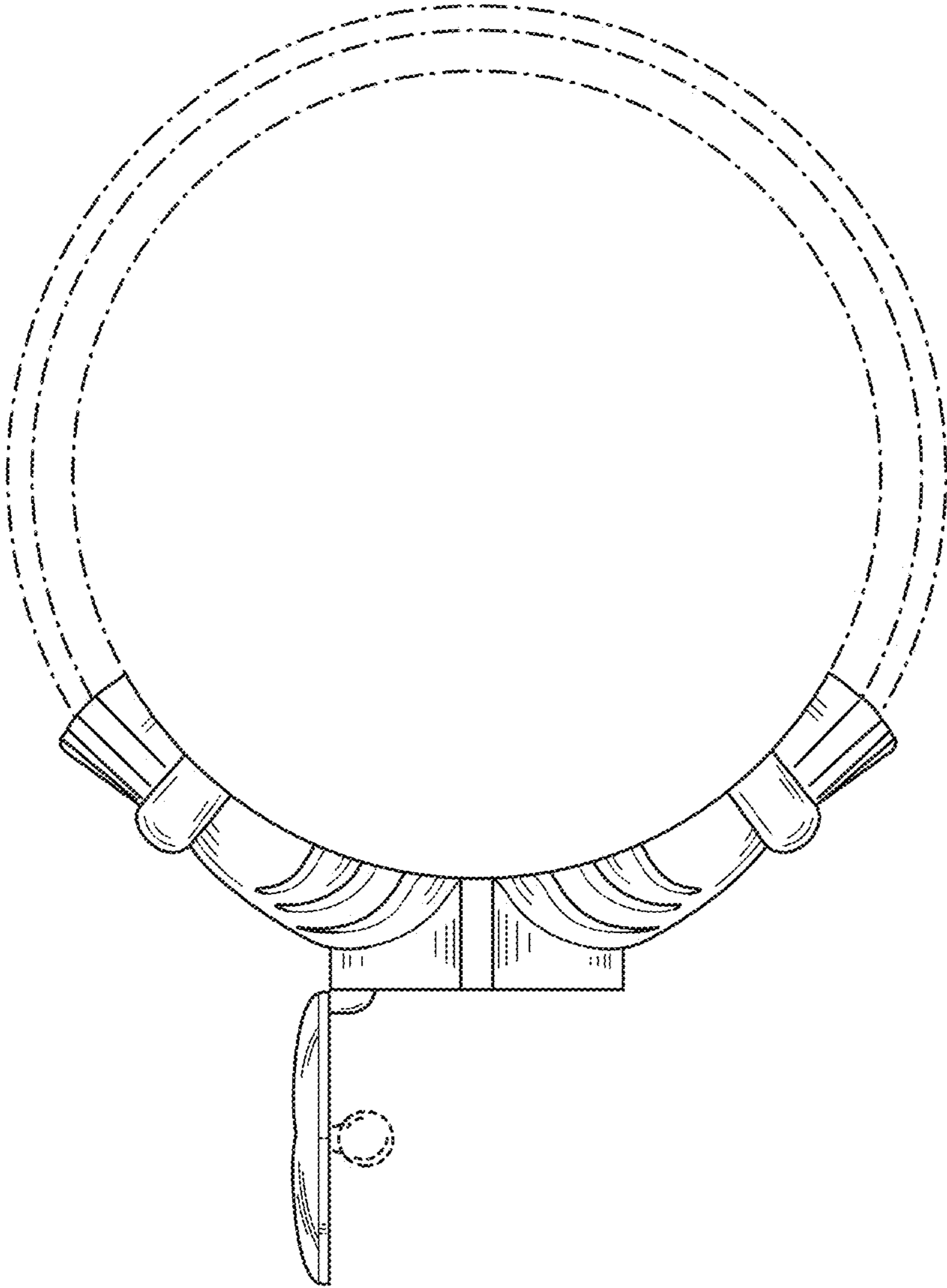


Figure 14

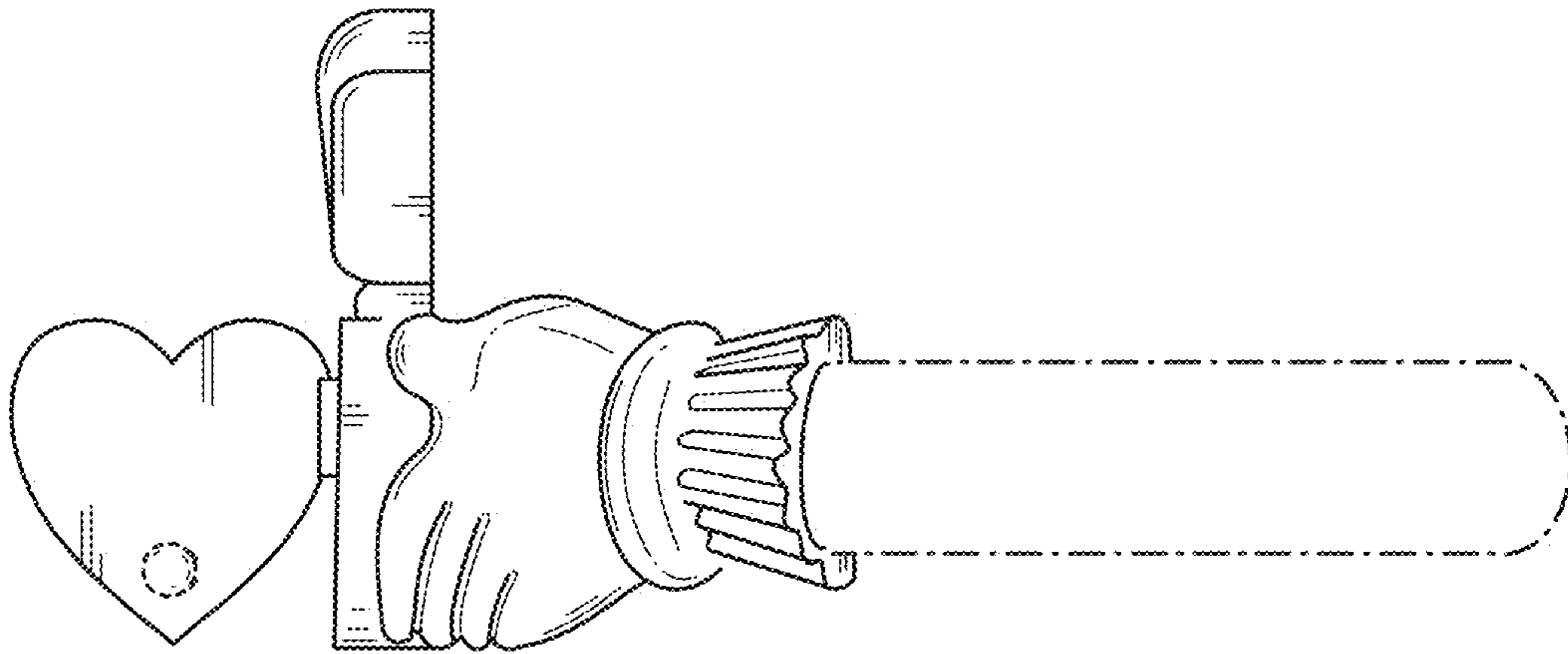


Figure 15

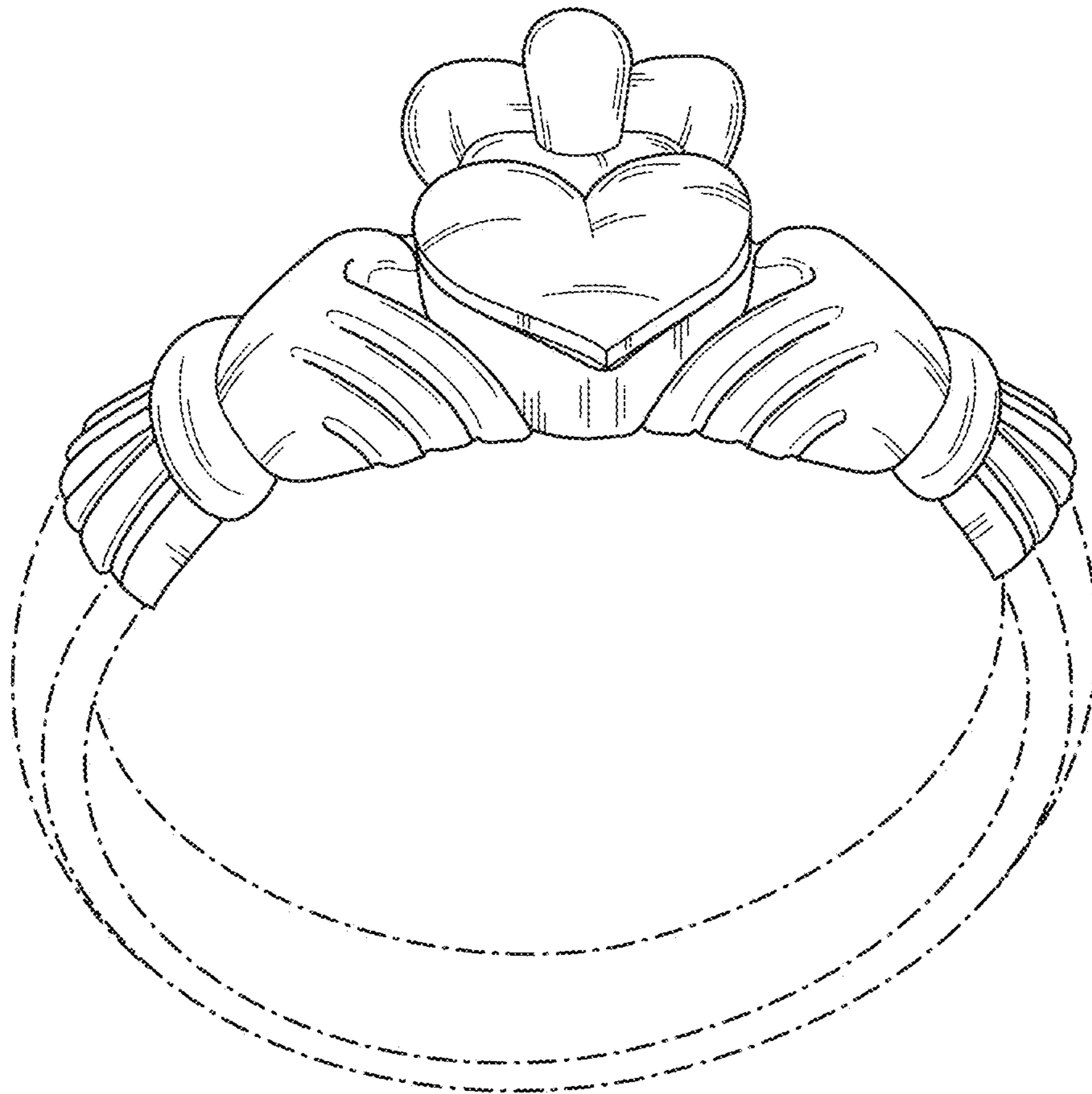


Figure 16

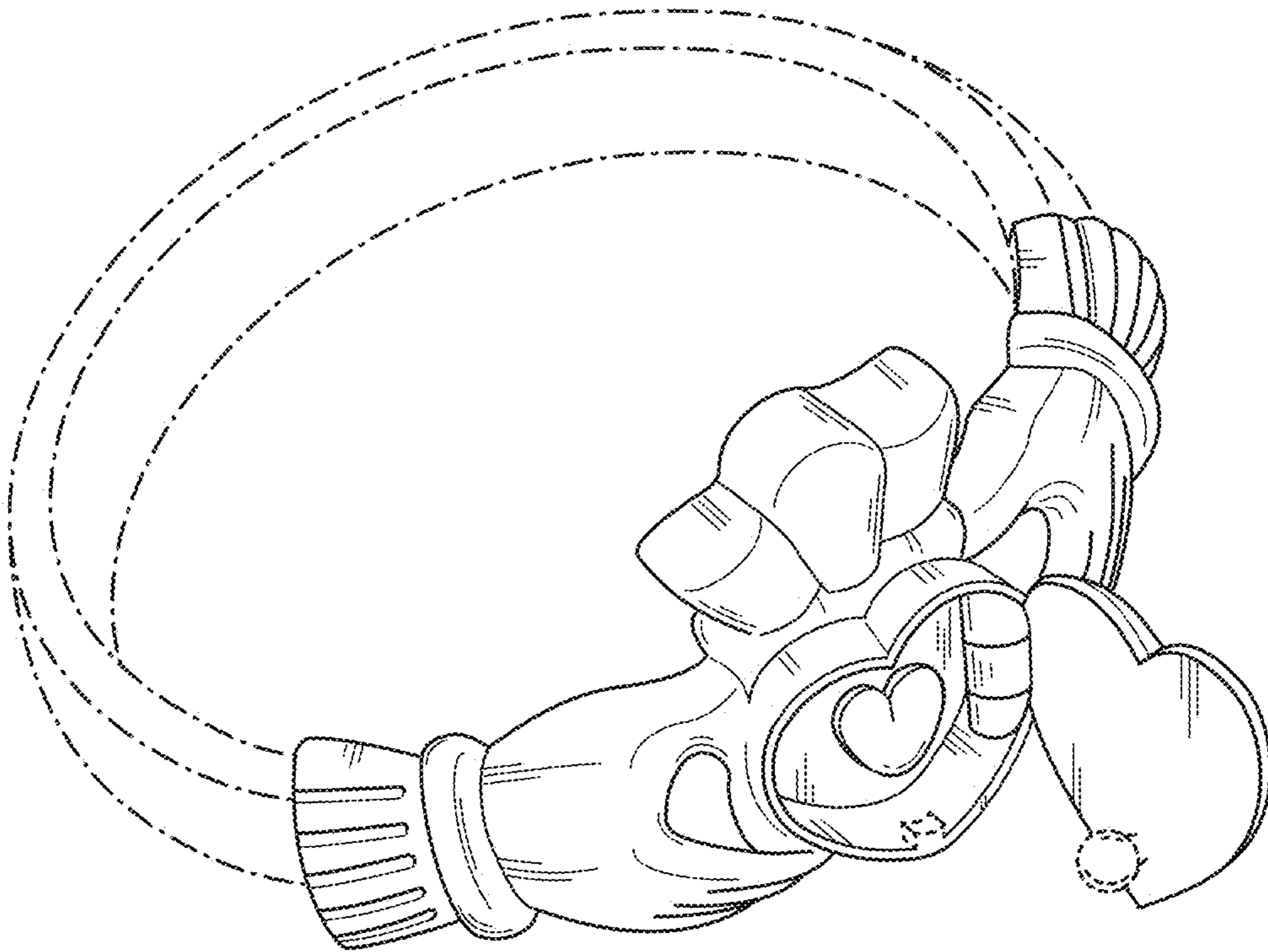


Figure 17

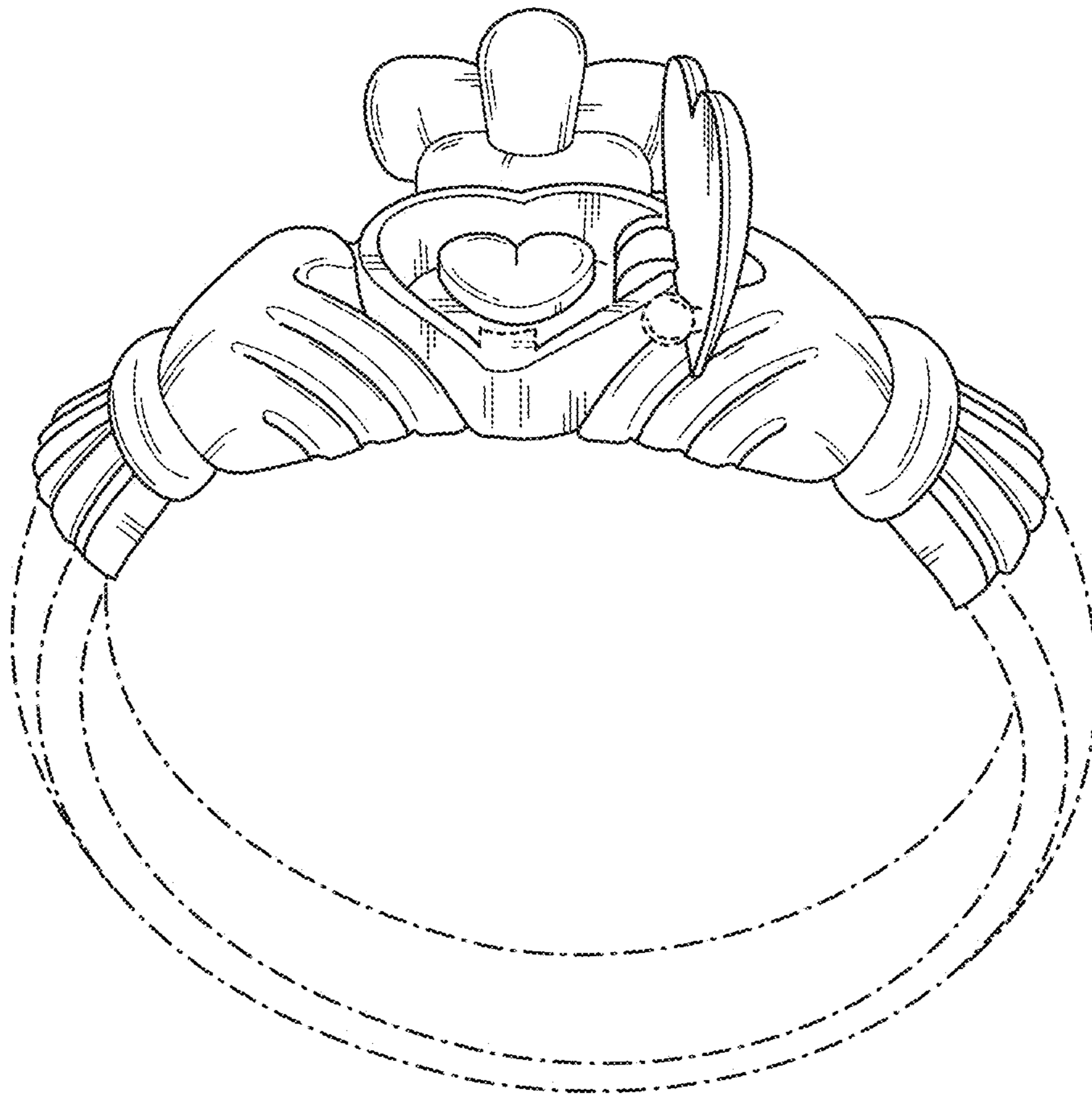


Figure 18

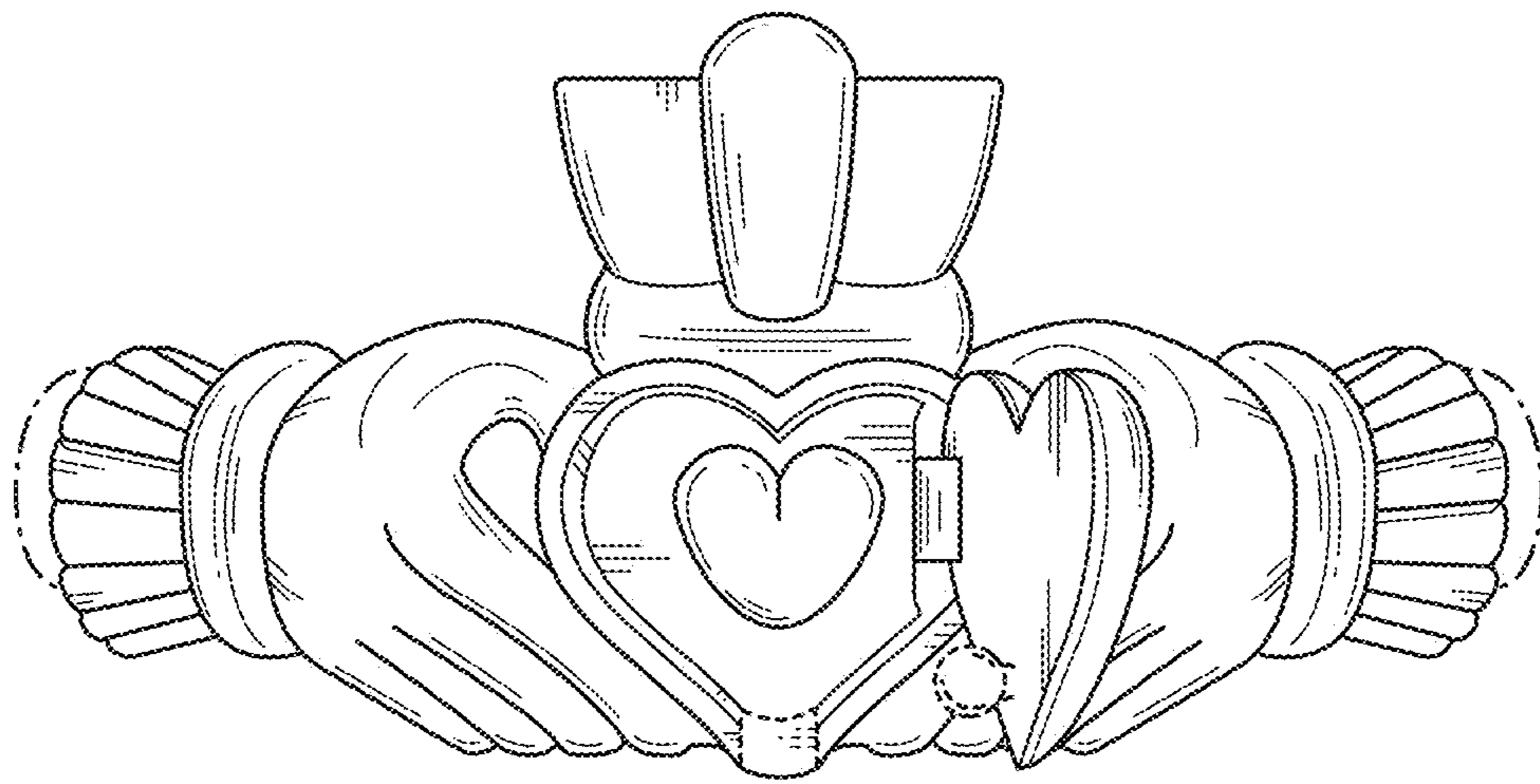


Figure 19

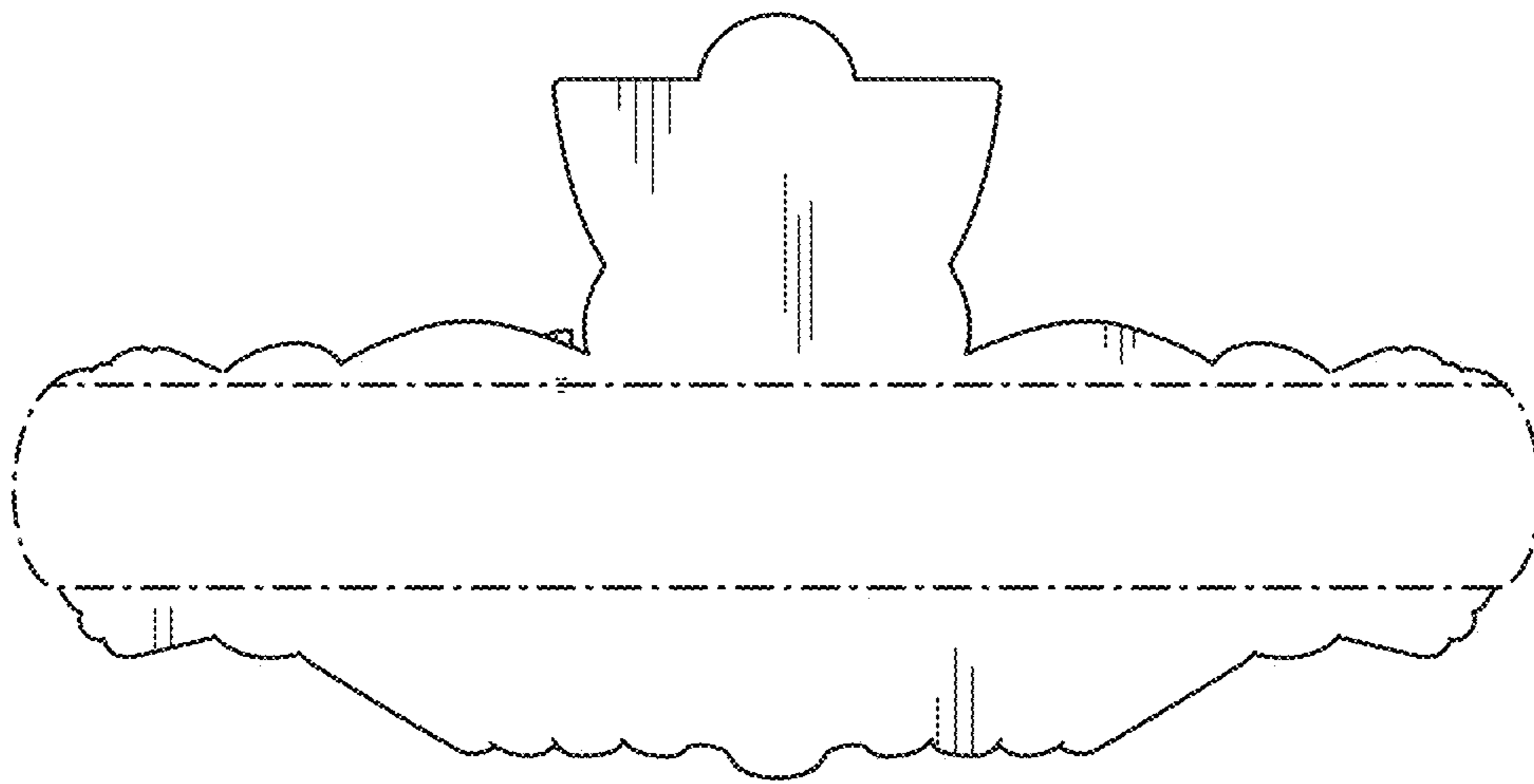


Figure 20

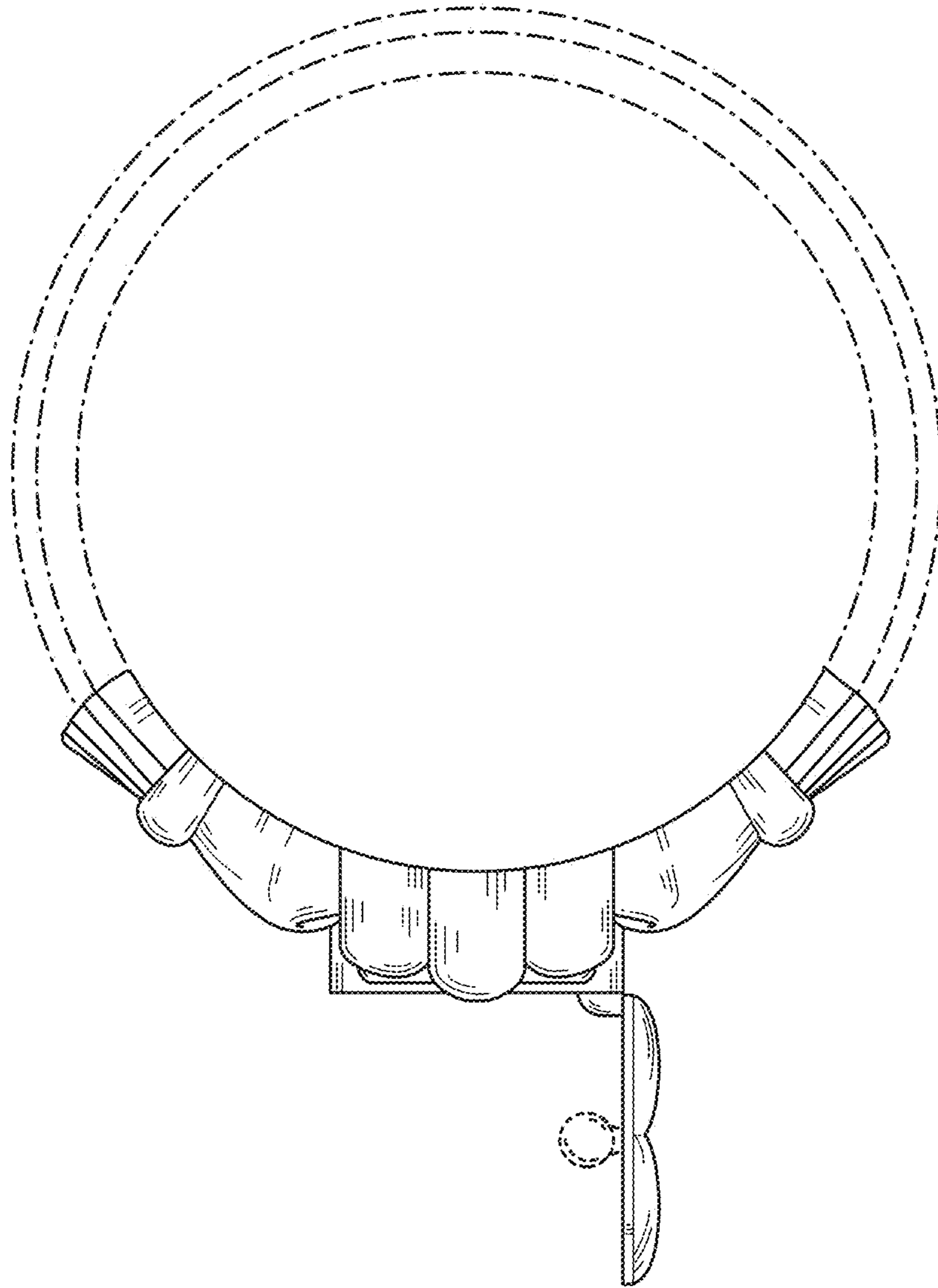


Figure 21

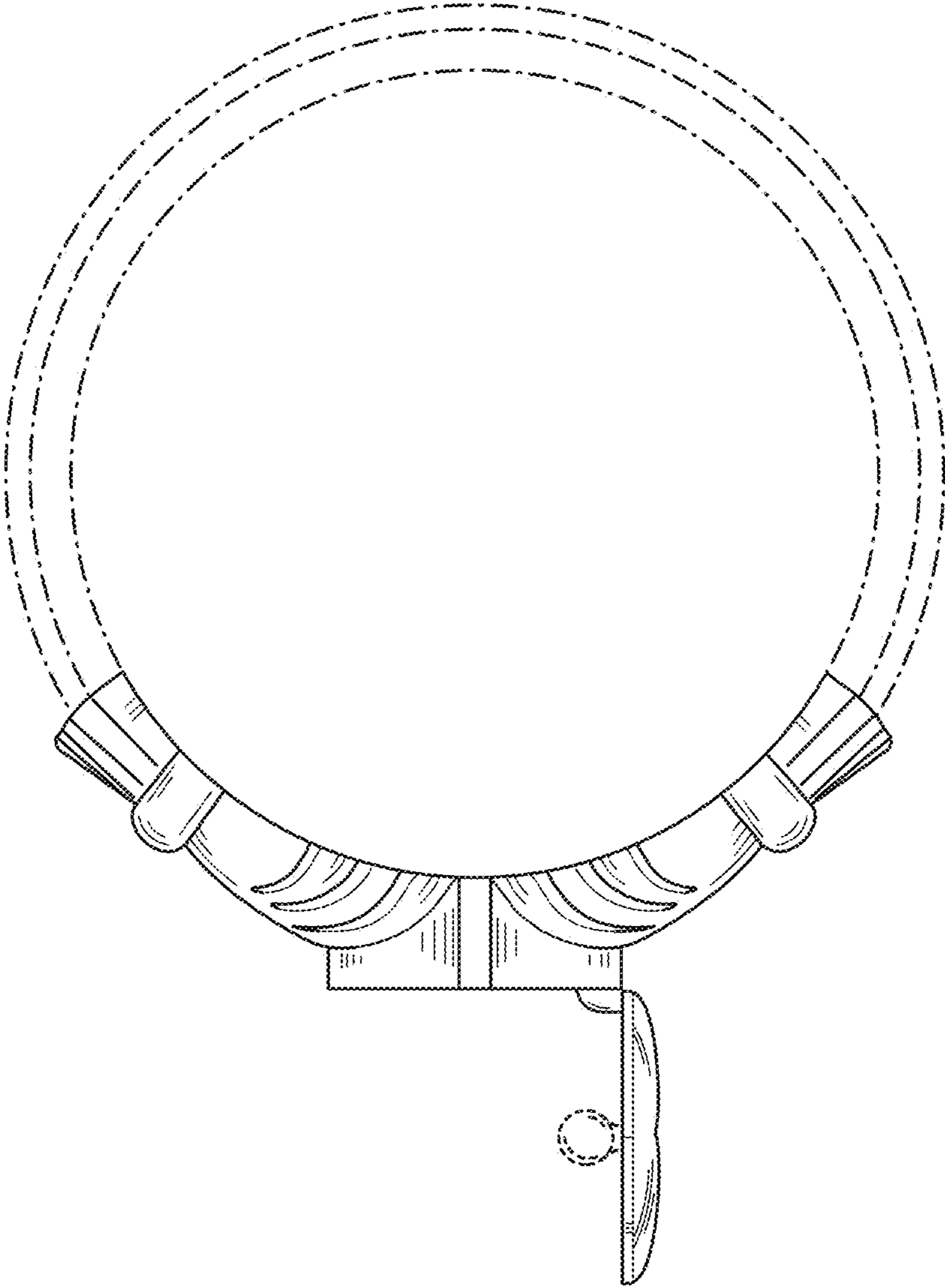


Figure 22

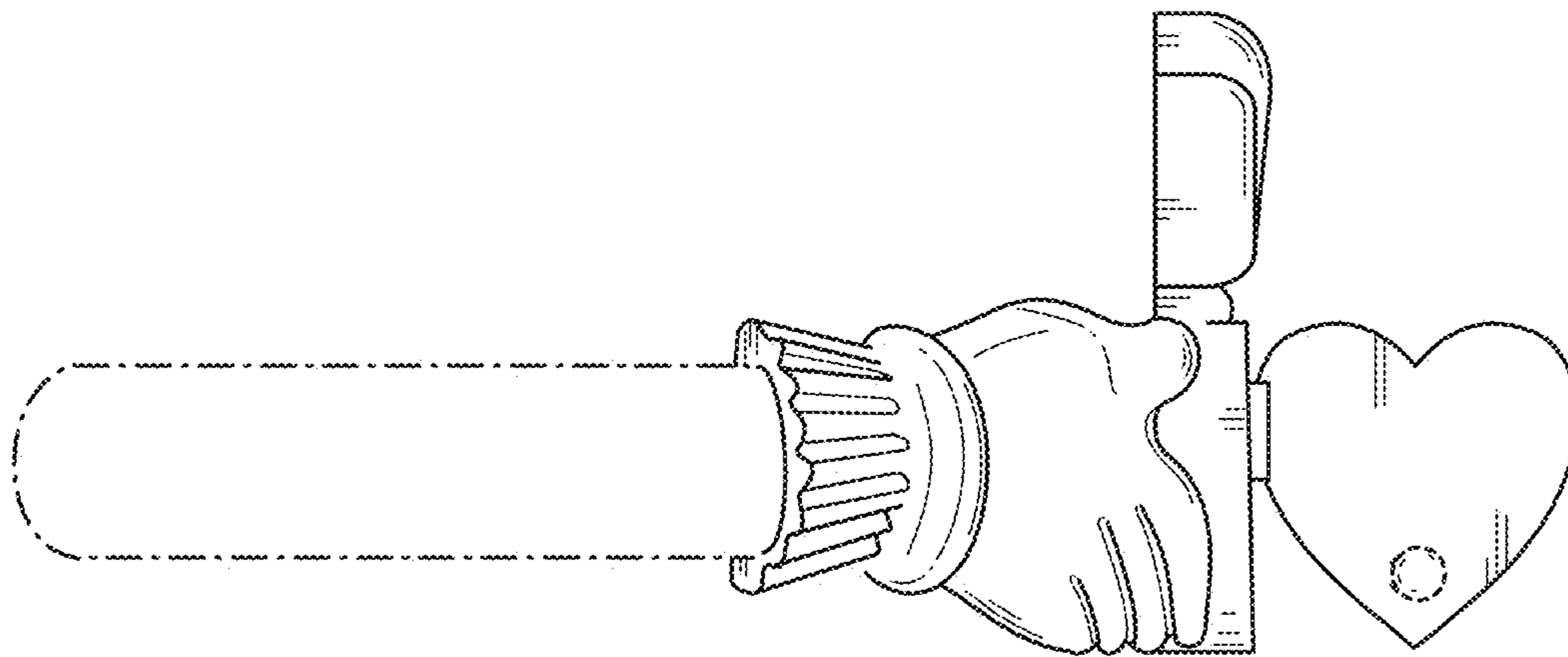


Figure 23

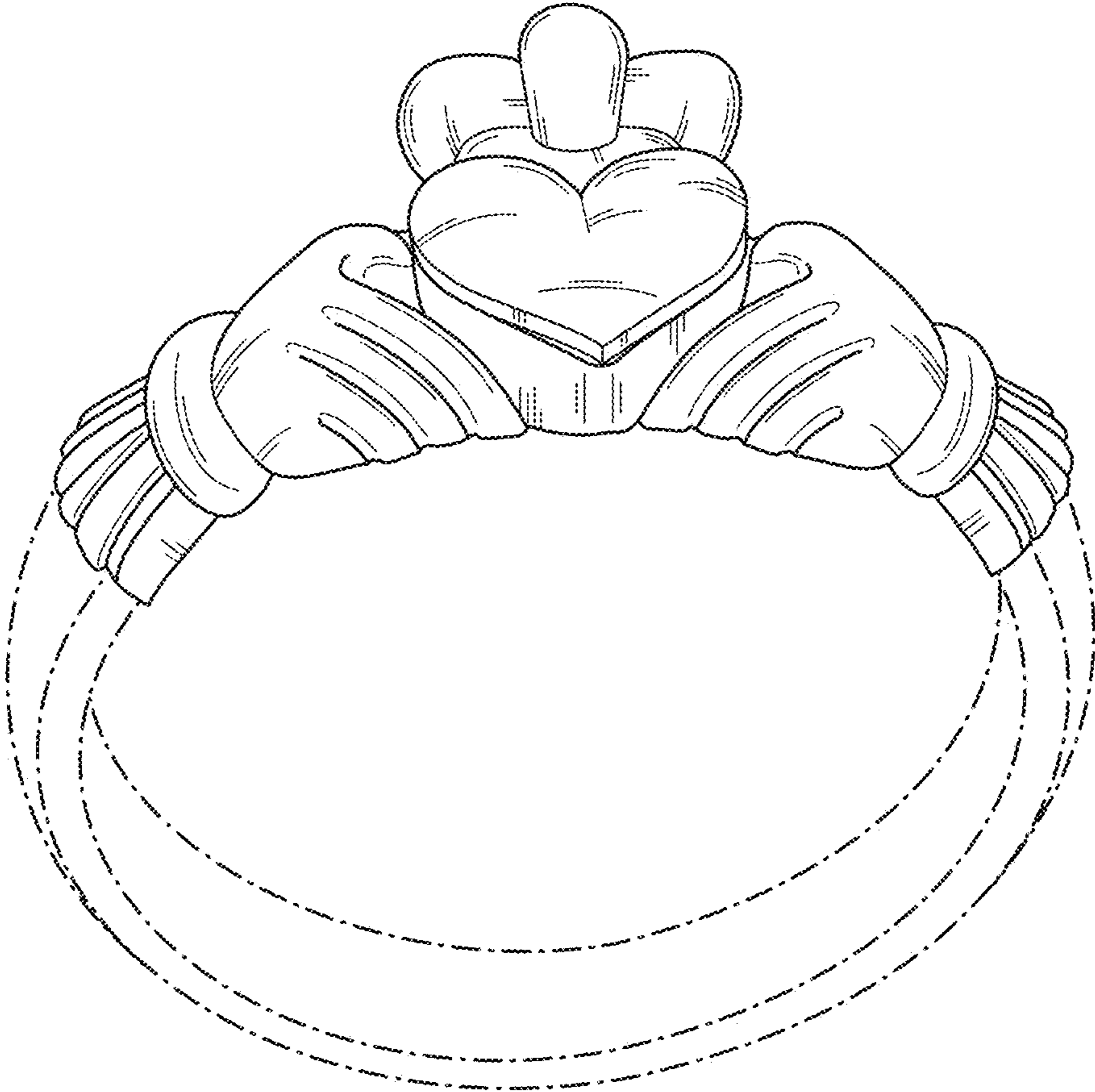


Figure 24

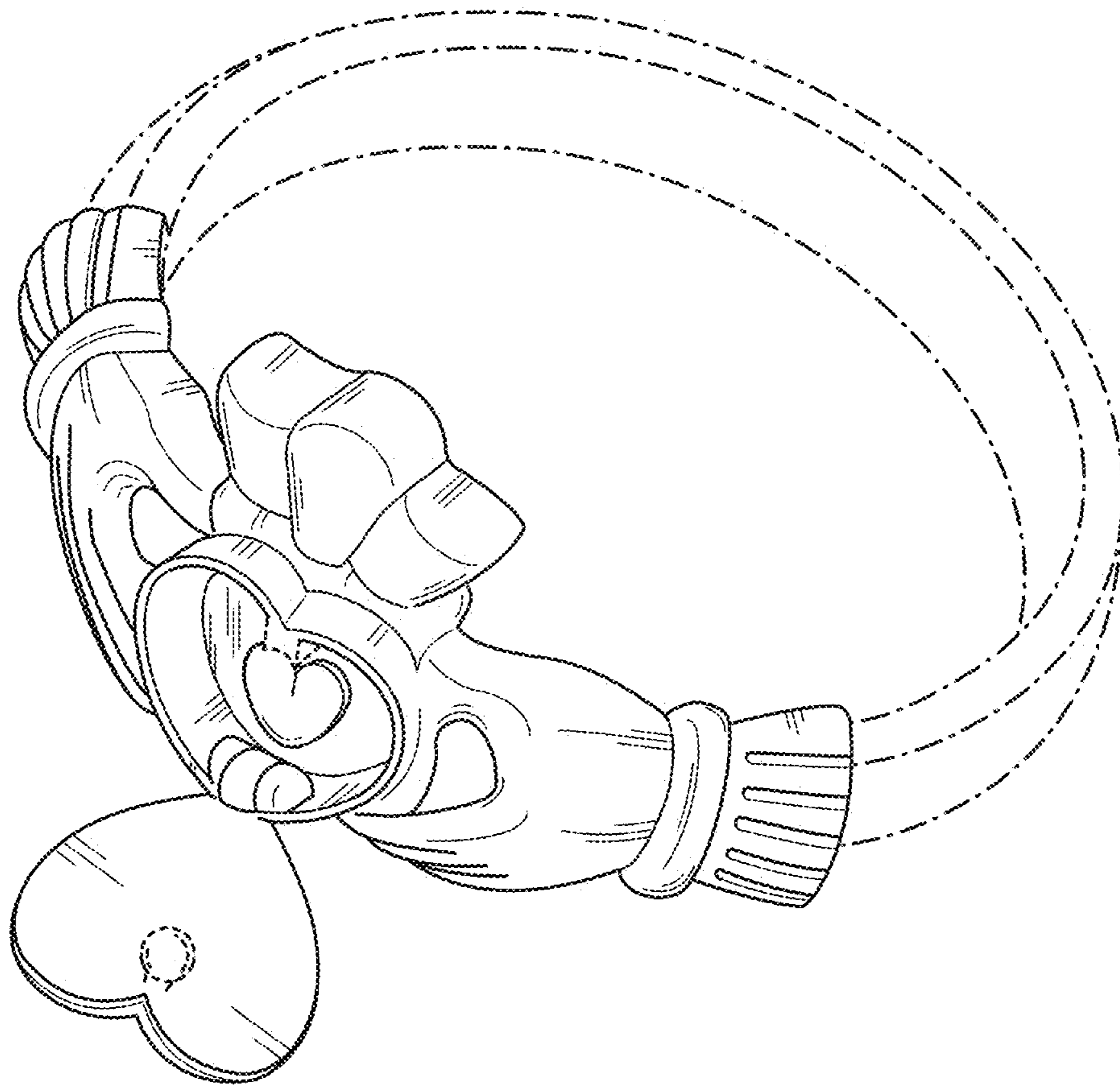


Figure 25

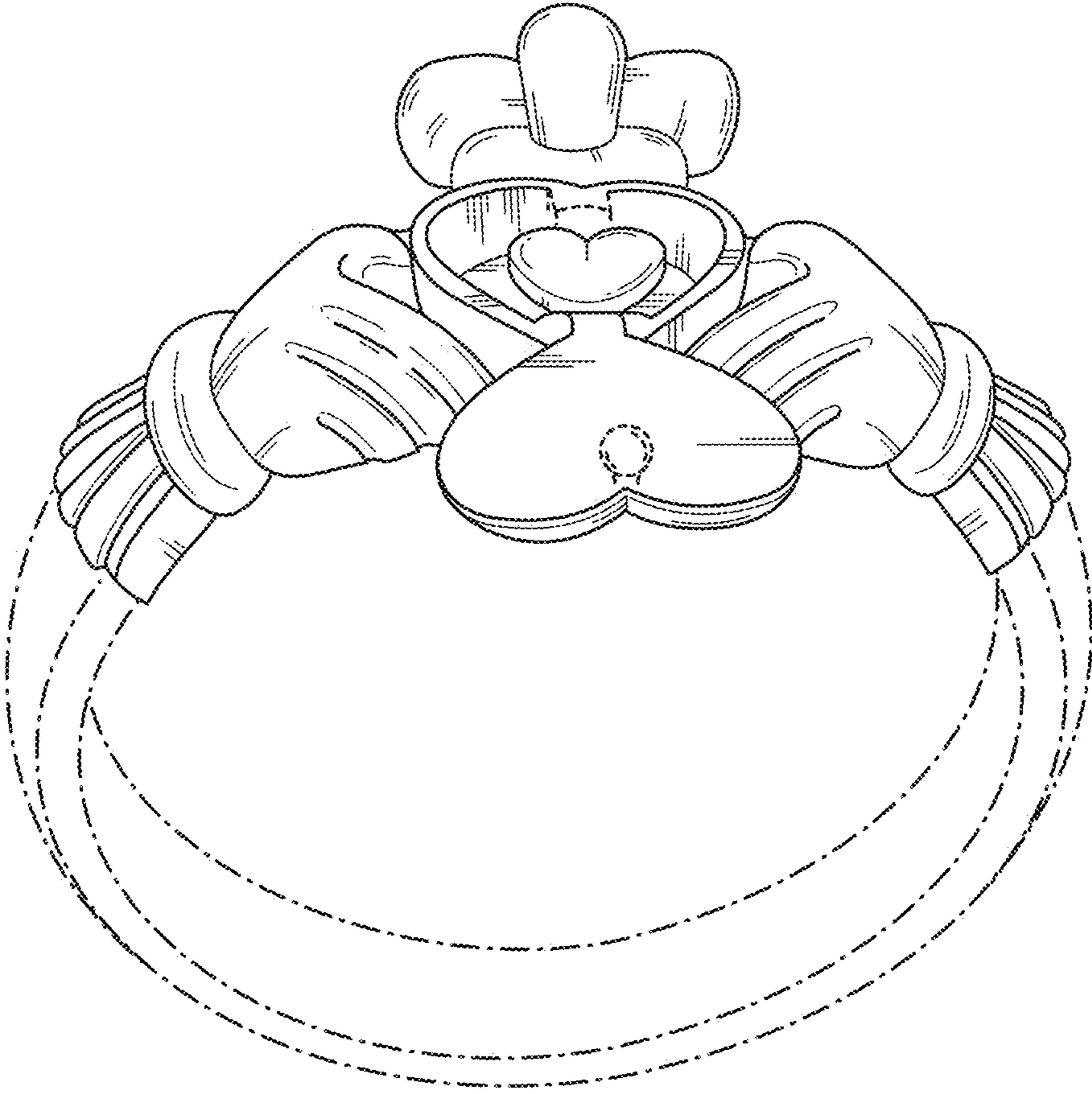


Figure 26

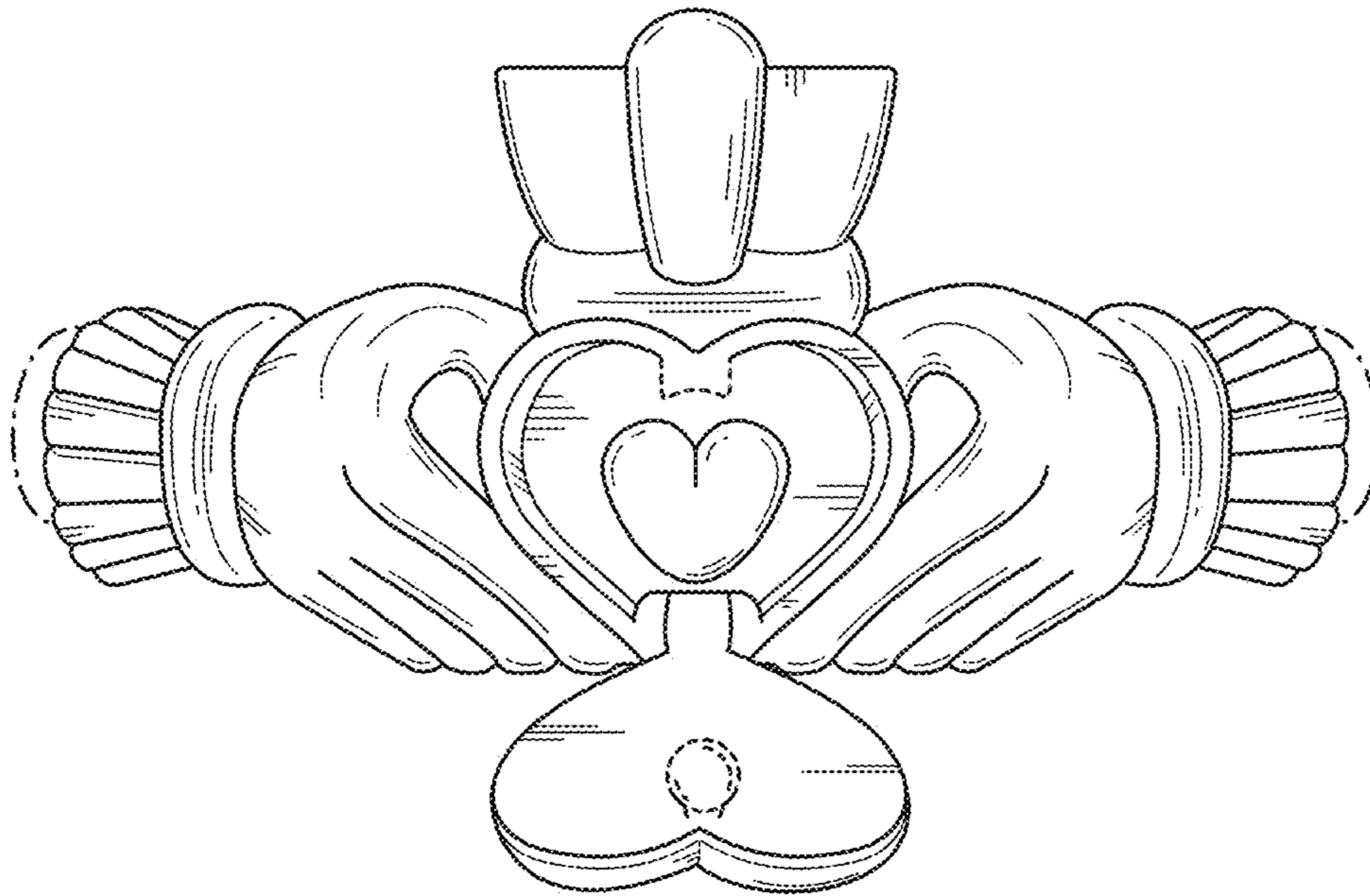


Figure 27

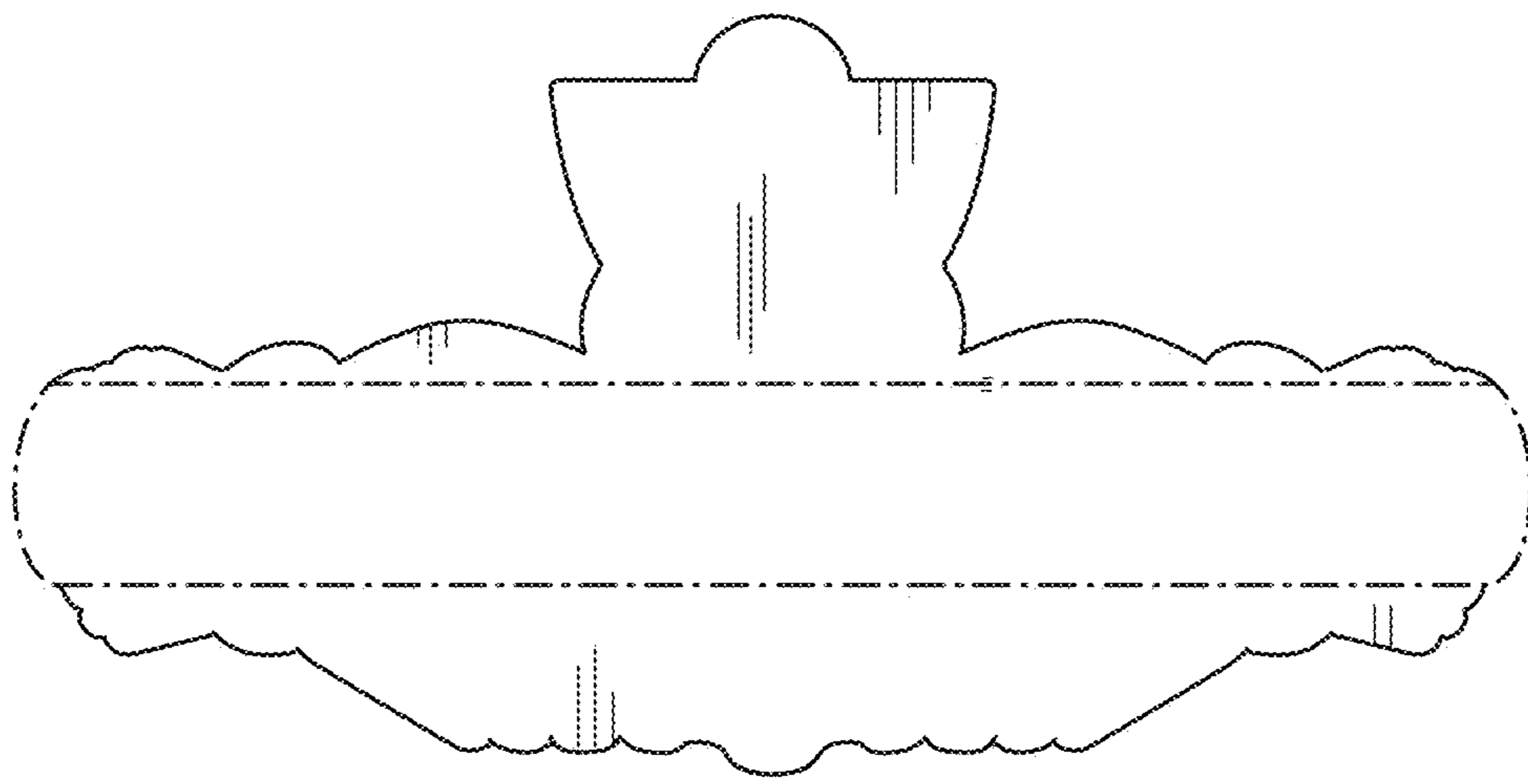


Figure 28

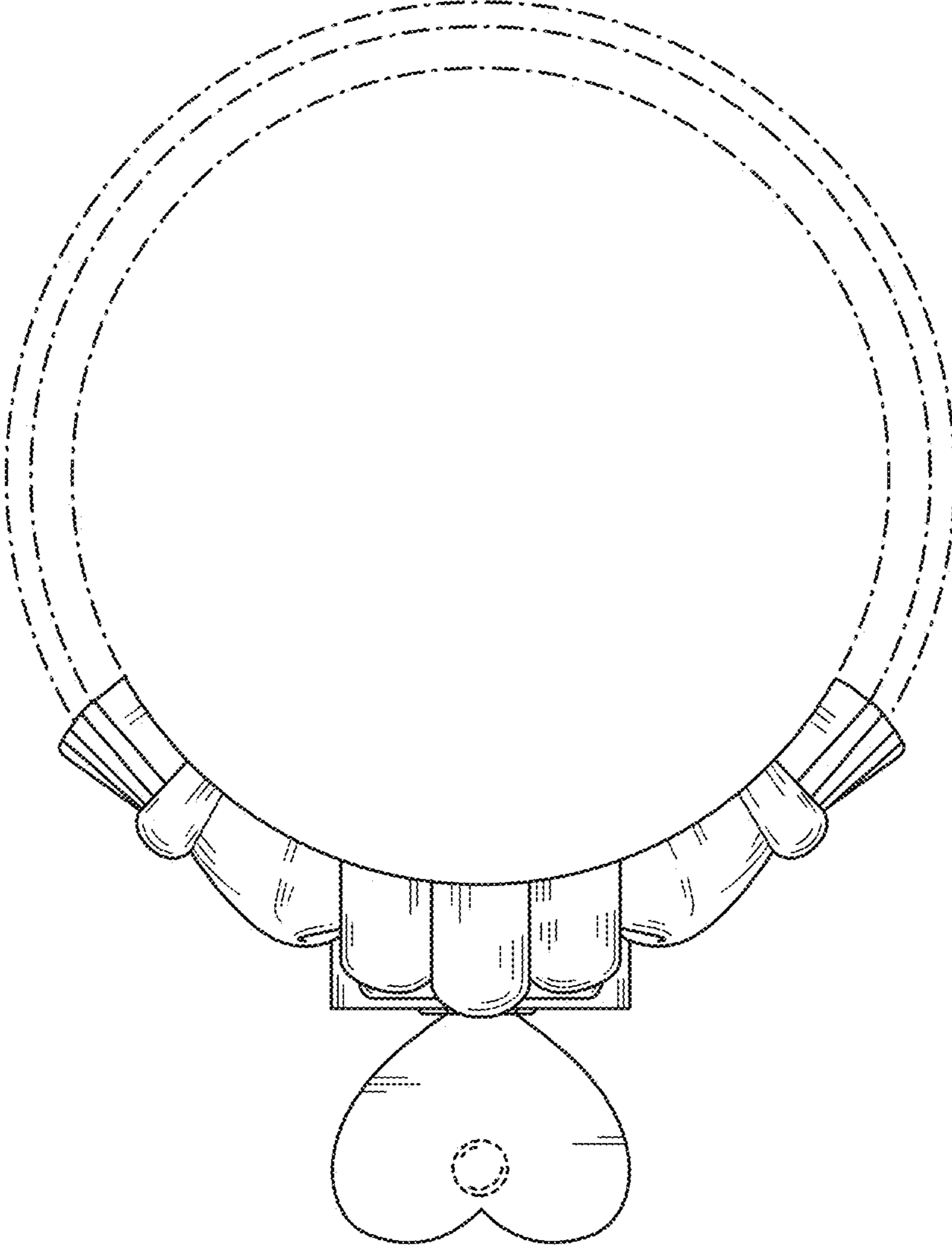


Figure 29

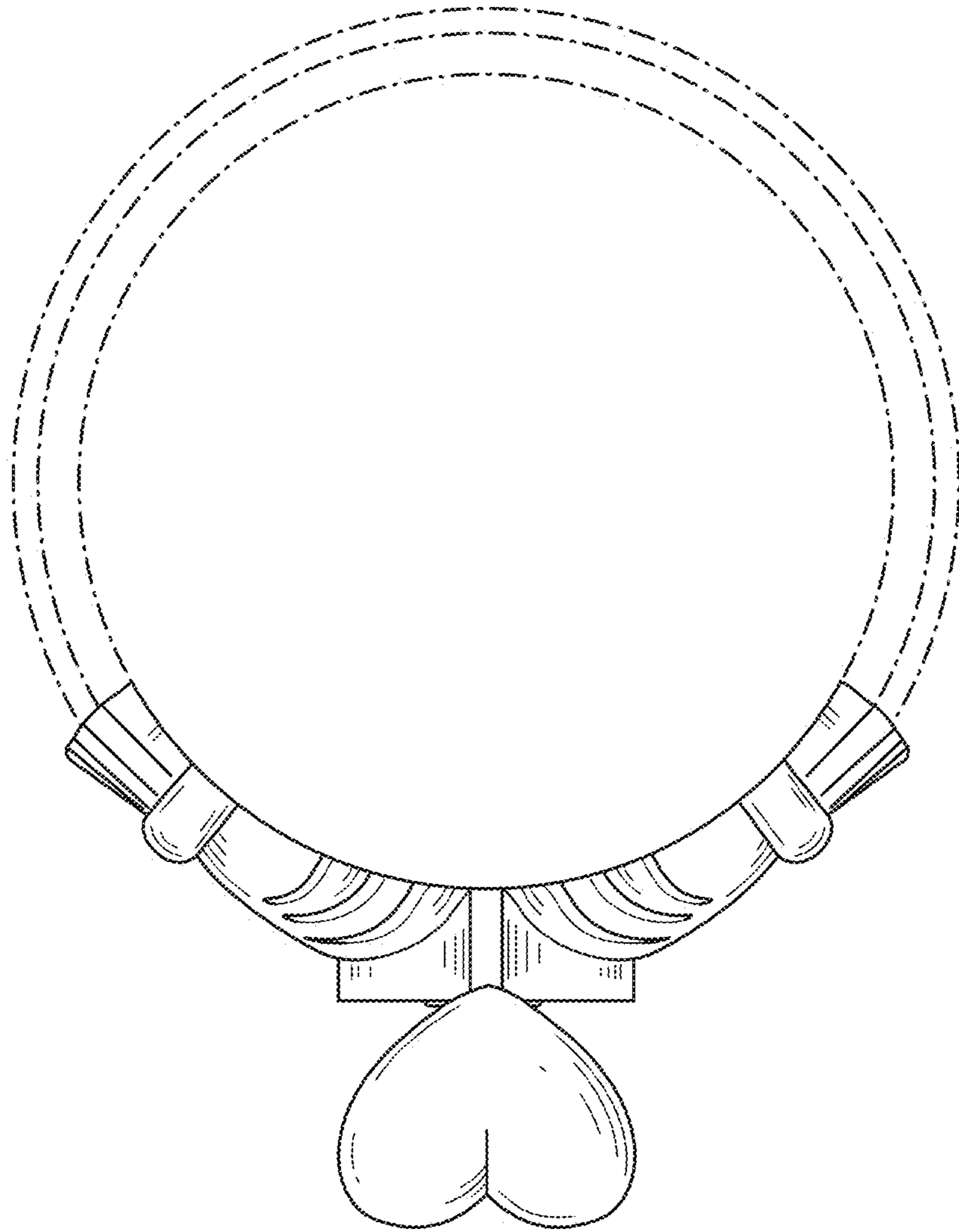


Figure 30

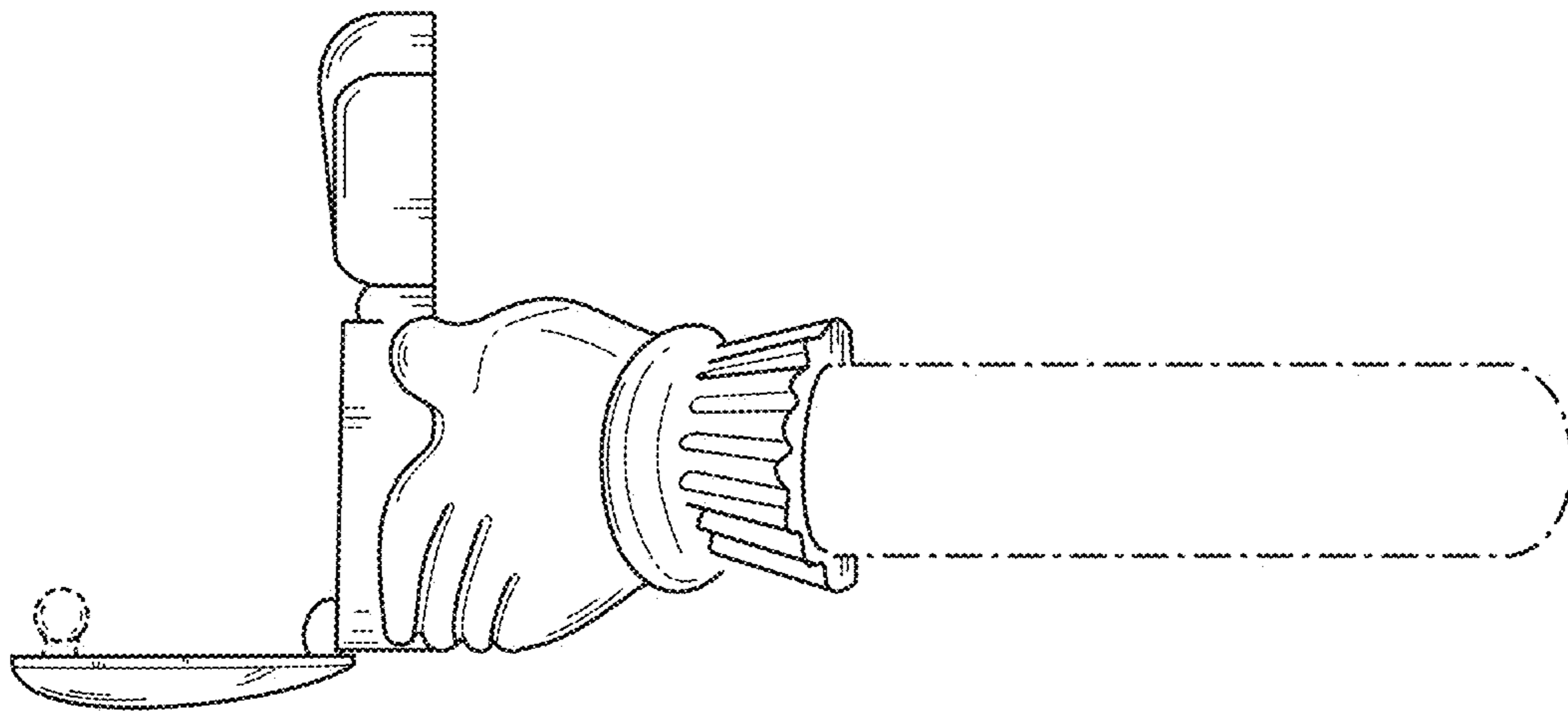


Figure 31

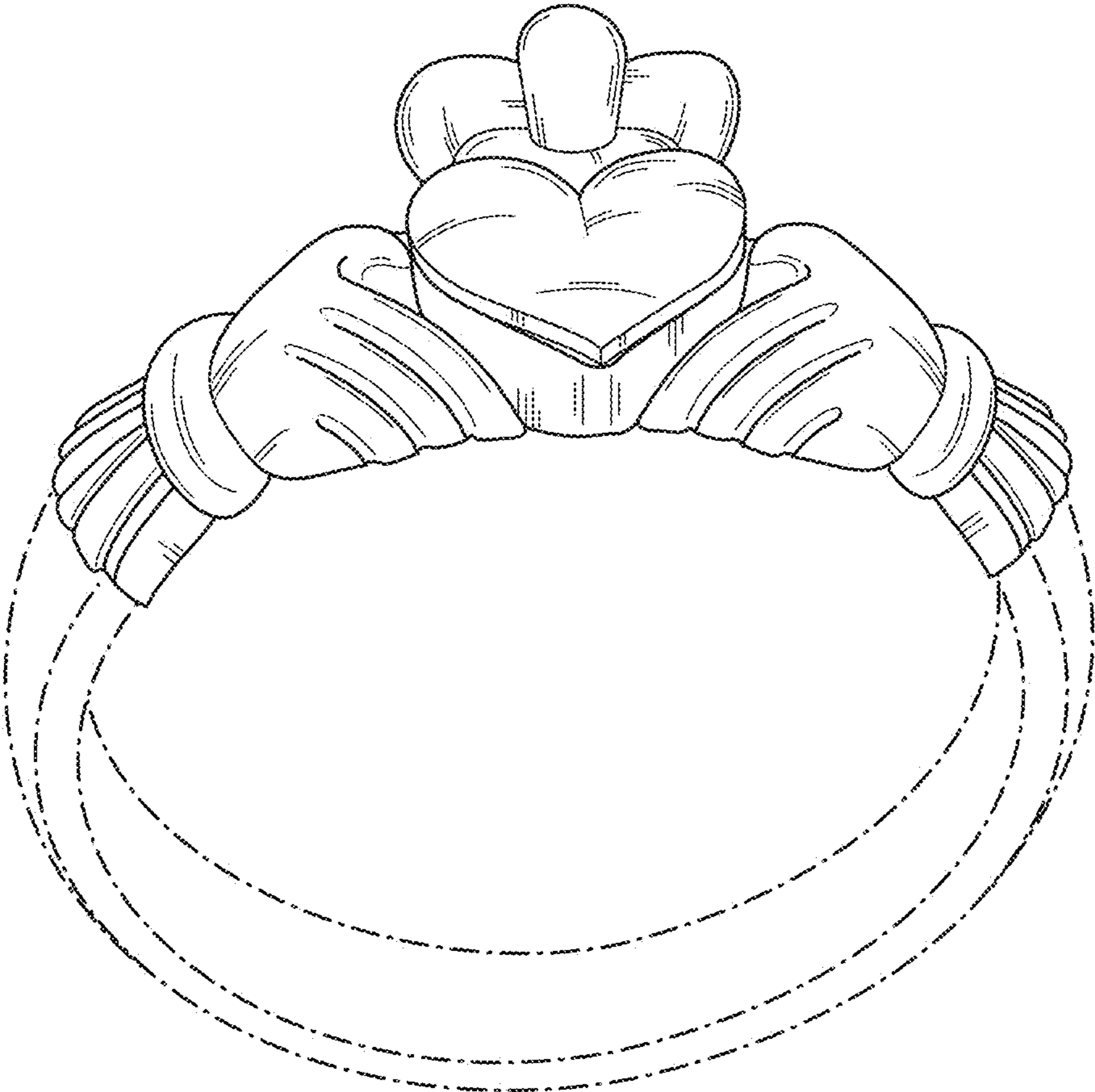


Figure 32